



US00D733792S

(12) **United States Design Patent**
Samimrad

(10) **Patent No.:** **US D733,792 S**
(45) **Date of Patent:** **** Jul. 7, 2015**

(54) **GUITAR**

(71) Applicant: **Rony Samimrad**, Los Angeles, CA (US)

(72) Inventor: **Rony Samimrad**, Los Angeles, CA (US)

(**) Term: **14 Years**

(21) Appl. No.: **29/469,095**

(22) Filed: **Oct. 7, 2013**

(51) **LOC (10) Cl.** **17-03**

(52) **U.S. Cl.**
USPC **D17/19**

(58) **Field of Classification Search**
USPC D17/14, 18, 19, 20, 24, 99; D21/405,
D21/468, 483, 513, 516, 661; D14/204,
D14/217, 221, 224, 257, 258, 299, 209.1,
D14/210, 214, 215, 216
CPC G10D 1/00; G10D 1/08; G10D 1/085;
H04R 1/02; H04R 1/025
See application file for complete search history.

(56) **References Cited**

U.S. PATENT DOCUMENTS

D27,560	S	*	8/1897	Back	D17/19
D27,561	S	*	8/1897	Howe	D17/19
1,808,297	A	*	6/1931	Dempster et al.	381/406
3,194,870	A	*	7/1965	Tondreau et al.	84/726
D225,275	S	*	11/1972	Owens	D17/19
D375,901	S	*	11/1996	Wong	D10/6
6,605,765	B1	*	8/2003	Johnson	84/267
D513,745	S	*	1/2006	Allen	D14/211
D542,464	S	*	5/2007	Chen	D27/148

D625,354	S	*	10/2010	Helsley	D17/20
D678,394	S	*	3/2013	Barbal	D17/20
D723,518	S	*	3/2015	Moon et al.	D14/215
2002/0114481	A1	*	8/2002	Watanabe	381/334
2008/0053289	A1	*	3/2008	Bryan	84/291

OTHER PUBLICATIONS

HoXen fancy design guitar, image post date Unknown, site visited Apr. 13, 2015 (online), <http://www.alibaba.com/product-detail/HoXen-fancy-design-guitar-shaped-L_1331444441.html>.*
SP-77BT—Rechargeable Guitar Shaped Speaker, image post date Unknown, site visited Apr. 13, 2015 (online), <<http://www.amazon.com/SP-77BT-Rechargeable-Speaker-Bluetooth-Tweeters/dp/B00NTK9OGY>>.*

* cited by examiner

Primary Examiner — Sheryl Lane
Assistant Examiner — Ieisha Price
(74) *Attorney, Agent, or Firm* — Greenberg Traurig, LLP

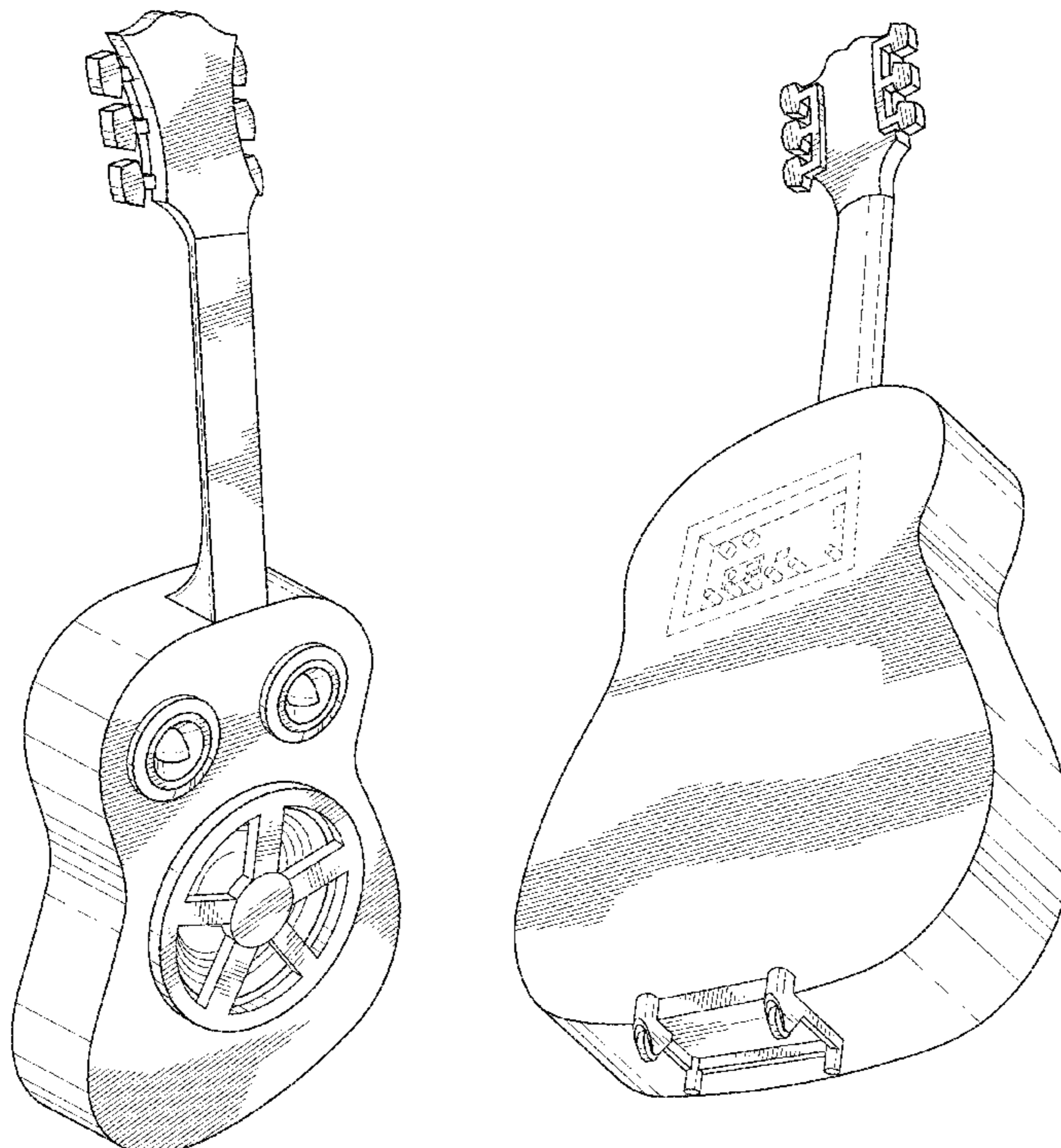
(57) **CLAIM**

The ornamental design for a guitar, as shown and described.

DESCRIPTION

FIG. 1 is a front perspective view of the guitar;
FIG. 2 is a rear perspective view of the guitar;
FIG. 3 is a front elevation view of the guitar;
FIG. 4 is a rear elevation view of the guitar;
FIG. 5 is a left side view of the guitar;
FIG. 6 is a right side view of the guitar;
FIG. 7 is a top plan view of the guitar; and,
FIG. 8 is a bottom plan view of the guitar.

1 Claim, 5 Drawing Sheets



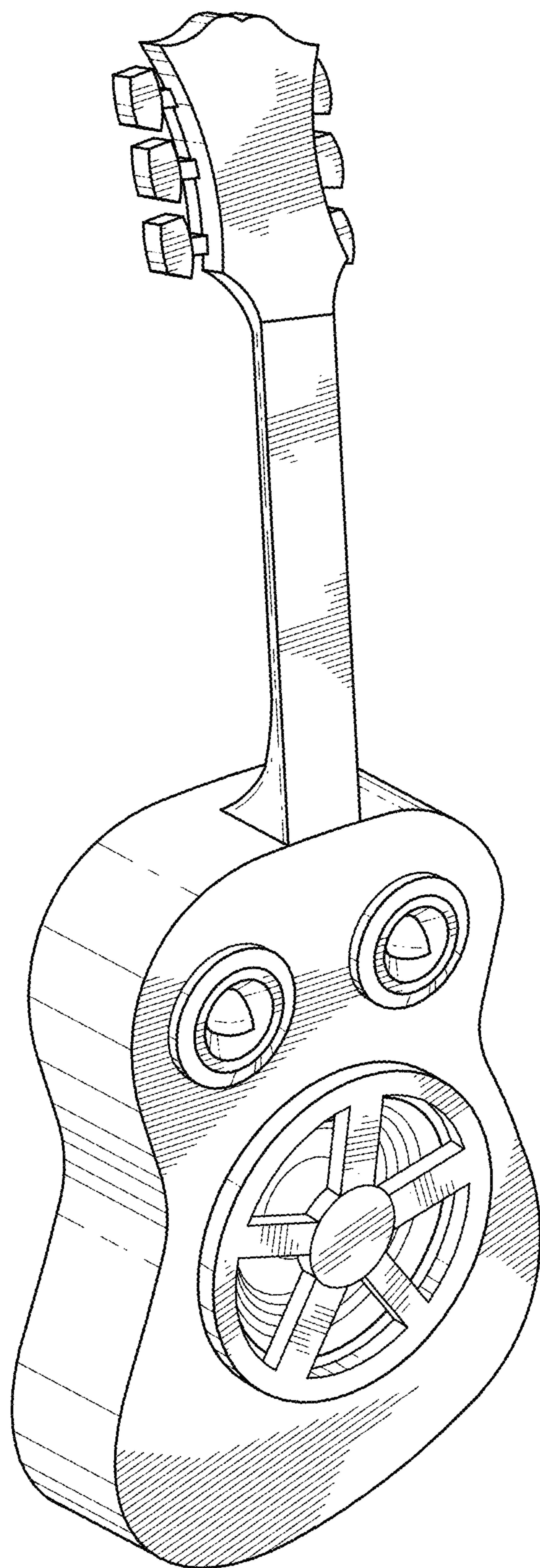
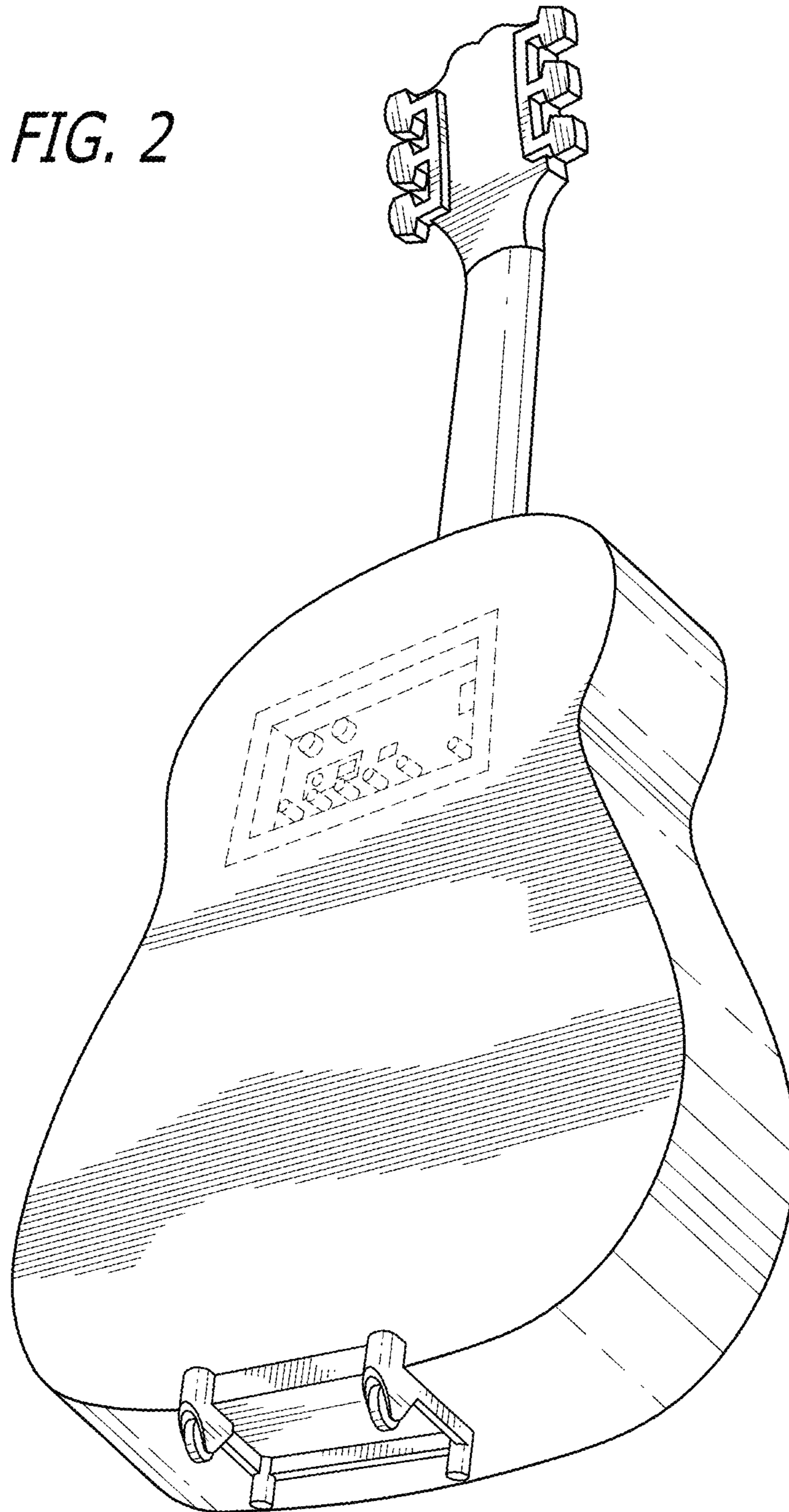


FIG. 1

FIG. 2



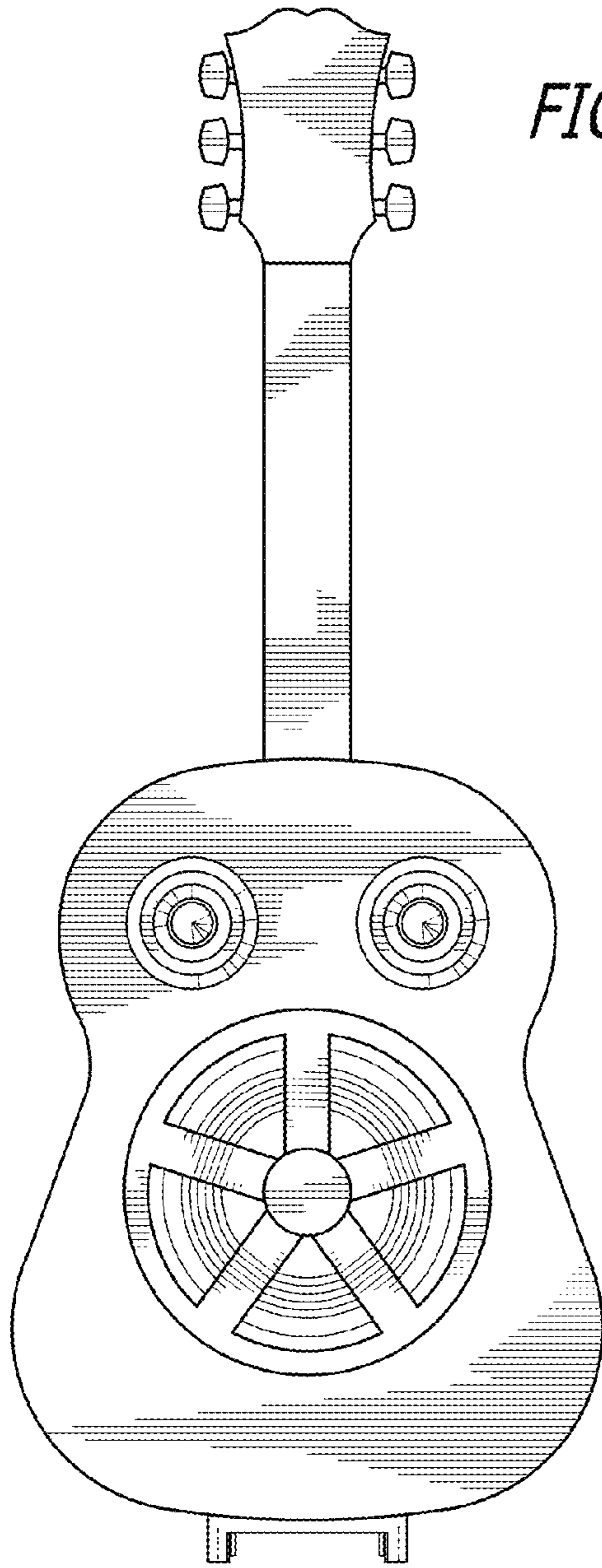


FIG. 3

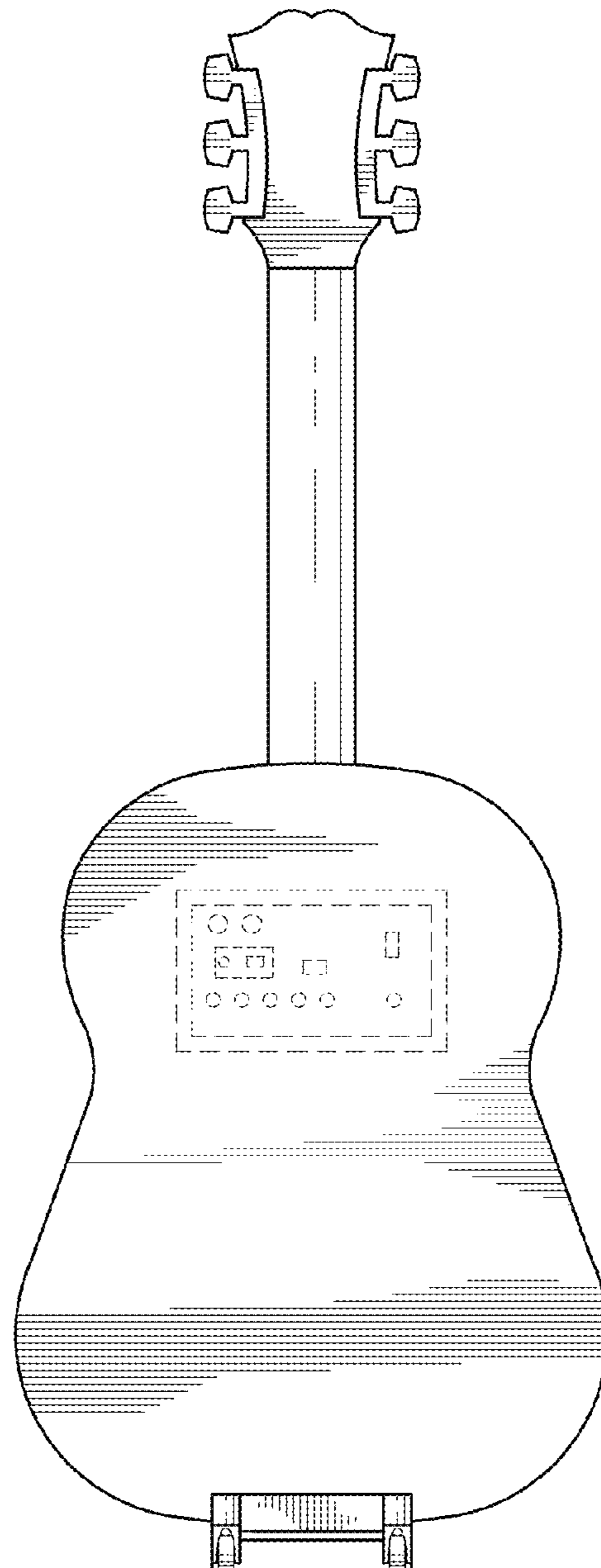


FIG. 4

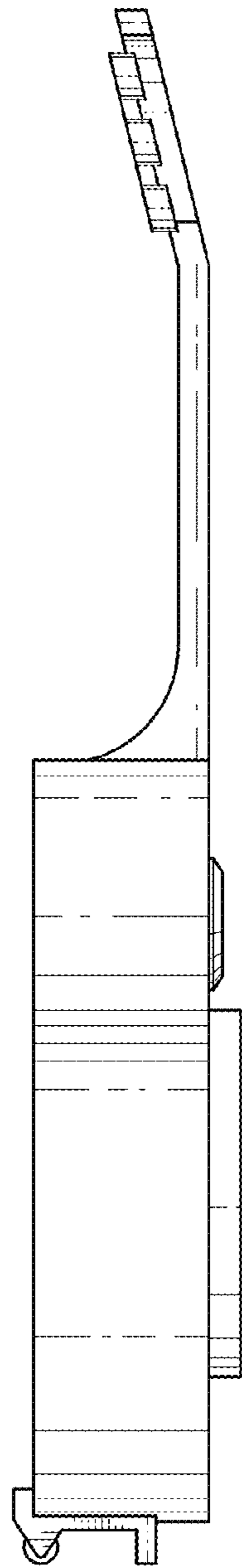


FIG. 5

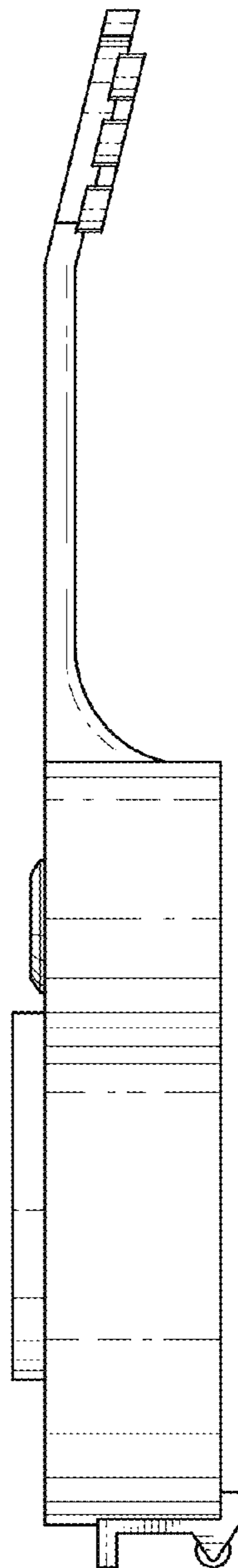


FIG. 6

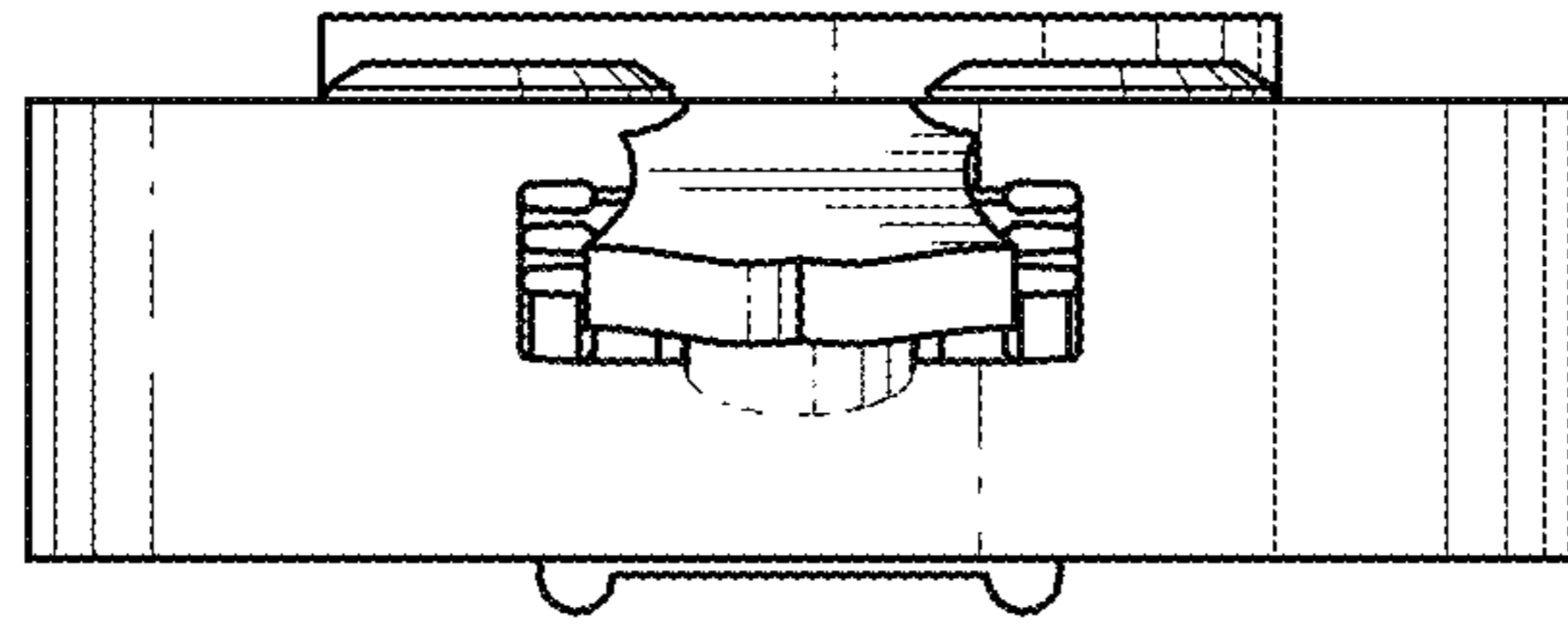


FIG. 7

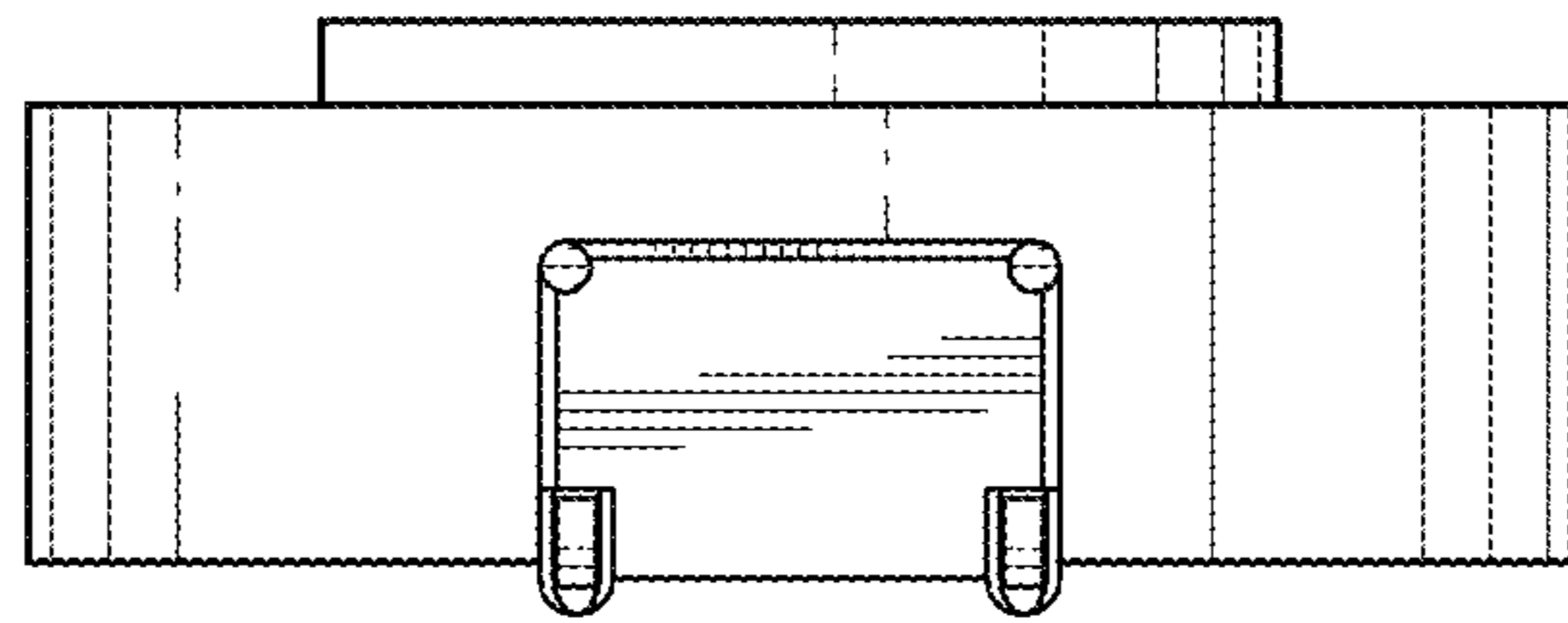


FIG. 8