



US00D733790S

(12) **United States Design Patent**
McKinish

(10) **Patent No.:** **US D733,790 S**

(45) **Date of Patent:** **** Jul. 7, 2015**

(54) **BUBBLE-SHAPED LENSE EYEWEAR**

(56) **References Cited**

(71) Applicant: **Jerry McKinish**, Huntington Beach, CA (US)

U.S. PATENT DOCUMENTS

(72) Inventor: **Jerry McKinish**, Huntington Beach, CA (US)

2,088,262	A *	7/1937	Grano	351/43
3,040,616	A *	6/1962	Simpson	351/43
3,526,449	A *	9/1970	Bolle et al.	351/41
5,625,425	A *	4/1997	Kranhouse	351/43
5,732,415	A *	3/1998	Boyd	2/426
D461,200	S *	8/2002	Pierotti et al.	D16/101
D475,730	S *	6/2003	Folsom	D16/303
D481,748	S *	11/2003	Magidson	D16/301
6,682,193	B1 *	1/2004	Edwards et al.	351/158
D556,228	S *	11/2007	Lam	D16/101

(*) Notice: This patent is subject to a terminal disclaimer.

(**) Term: **14 Years**

* cited by examiner

(21) Appl. No.: **29/501,637**

Primary Examiner — Raphael Barkai

(22) Filed: **Sep. 5, 2014**

(74) *Attorney, Agent, or Firm* — CIONCA Law Group P.C.;
Marin Cionca

Related U.S. Application Data

(63) Continuation of application No. 29/470,428, filed on Oct. 21, 2013, now Pat. No. Des. 715,351.

(51) **LOC (10) Cl.** **16-06**

(52) **U.S. Cl.**
USPC **D16/306**; D16/101; D16/326

(58) **Field of Classification Search**
USPC D16/101, 300–342, 900; D29/109–110;
351/41, 44–46, 51–52, 62, 158, 92,
351/103–123, 140–153, 63, 59, 156; 2/13,
2/15, 426–432, 447–449, 441, 434–437;
D21/483, 659–661
CPC G02C 2200/08; G02C 1/06; G02C 11/02;
G02C 11/04

See application file for complete search history.

(57) **CLAIM**

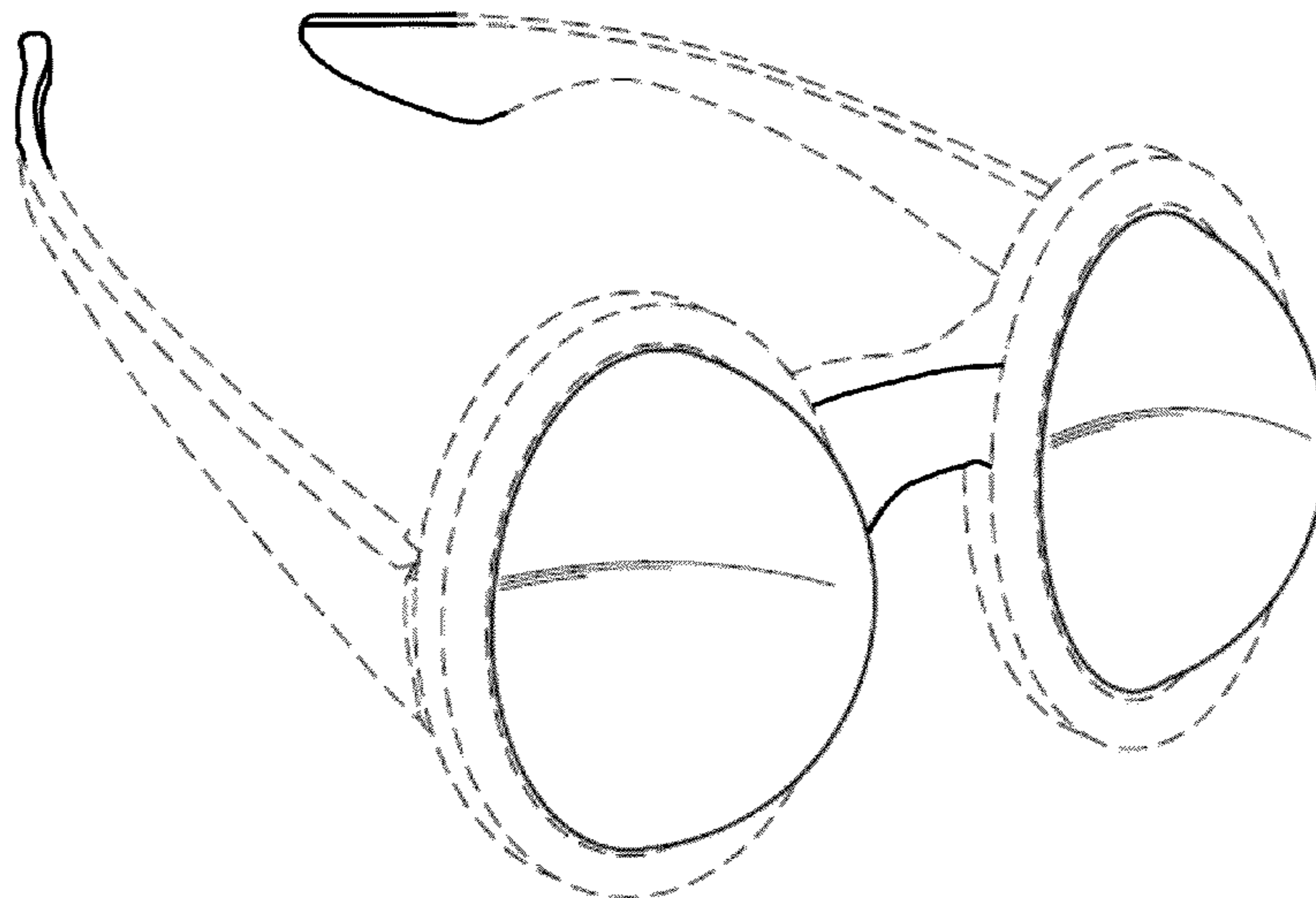
The ornamental design of a bubble-shaped lens eyewear, substantially as shown and described.

DESCRIPTION

FIG. 1 is a front view of bubble-shaped lens eyewear, according to the new design;
FIG. 2 is a rear view thereof;
FIG. 3 is a left side view thereof;
FIG. 4 is a right side view thereof;
FIG. 5 is a bottom view thereof;
FIG. 6 is a top view thereof; and,
FIG. 7 is a perspective view thereof.

The broken lines shown in the drawings are included for the purpose of illustrating environmental structure and form no part of the claimed design.

1 Claim, 4 Drawing Sheets



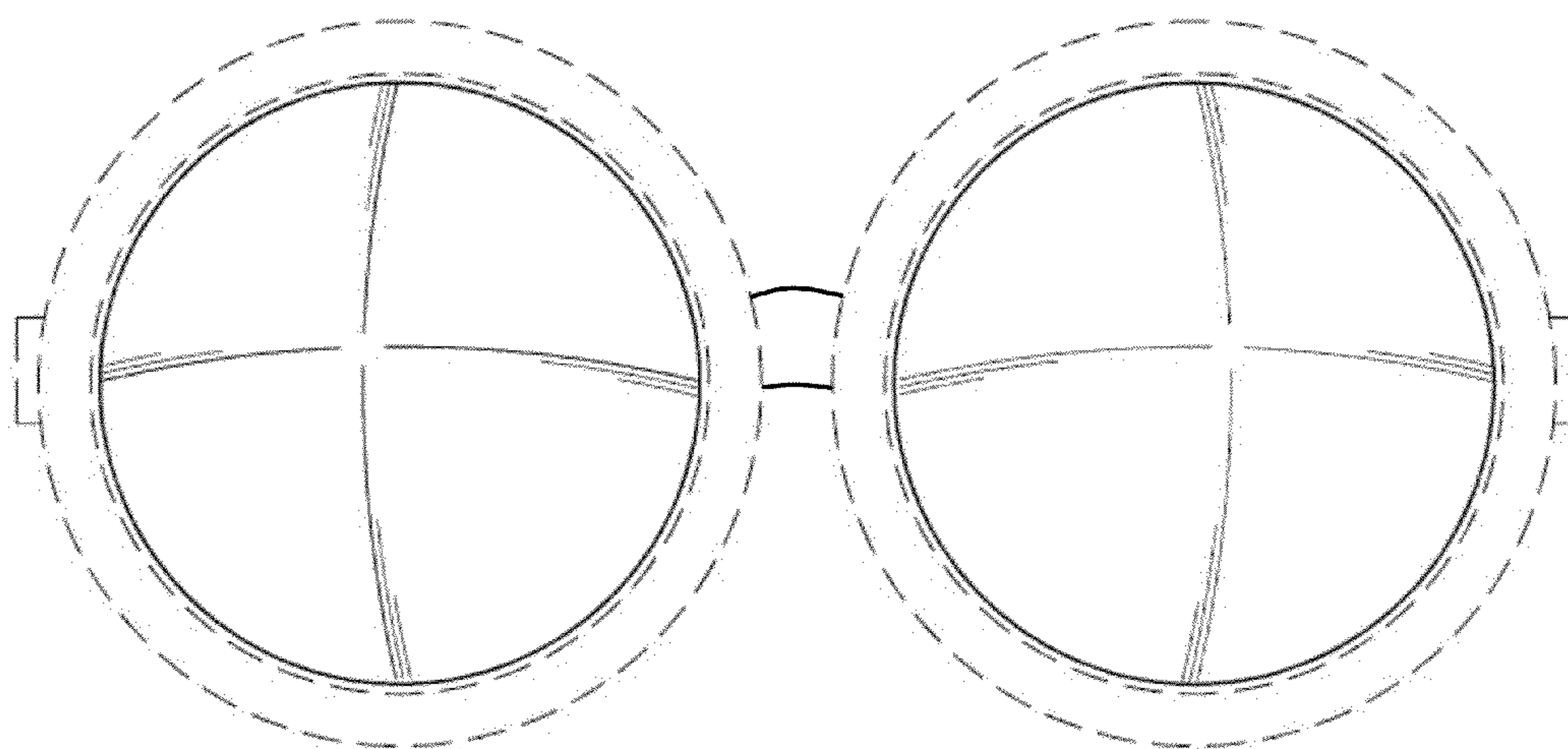


FIG. 1

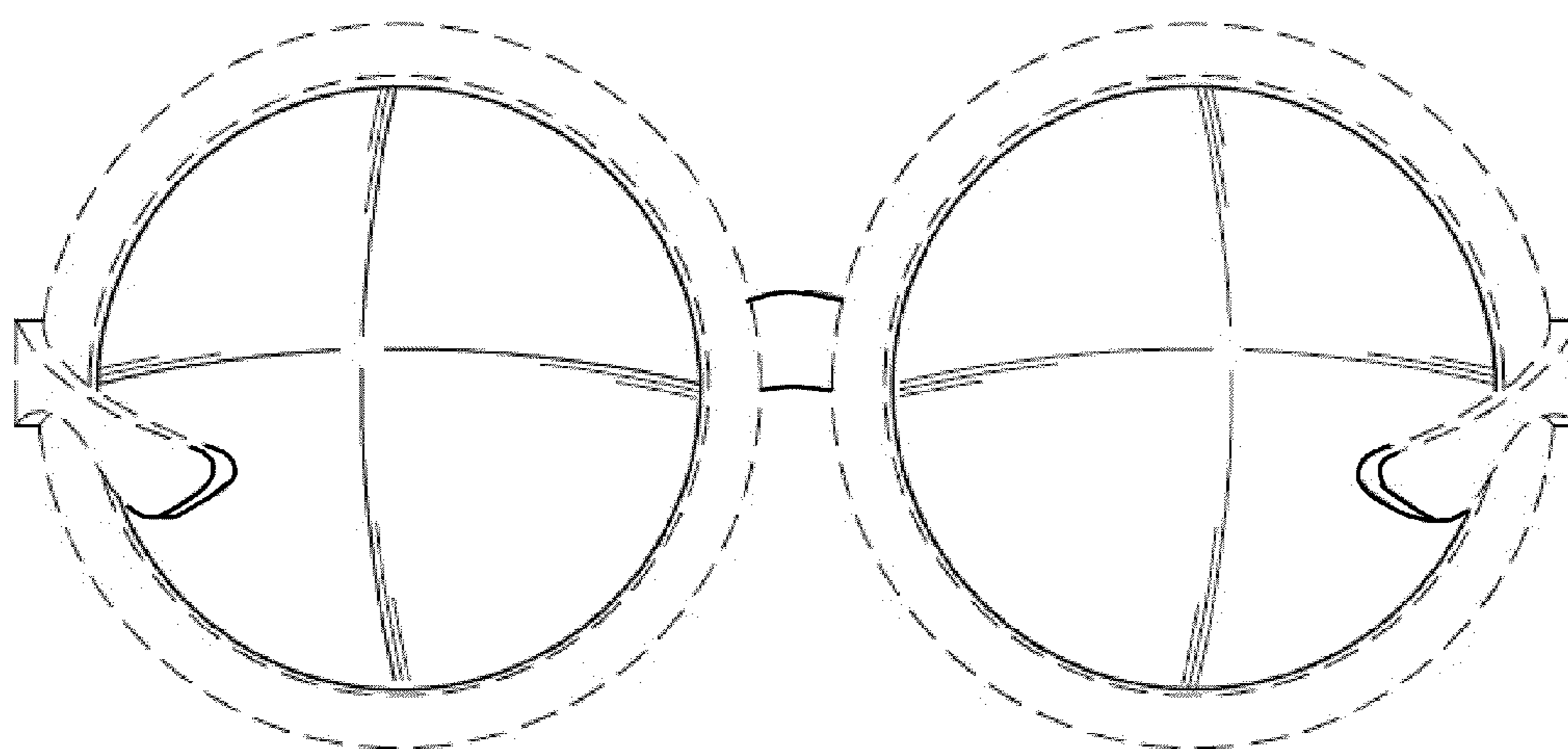


FIG. 2

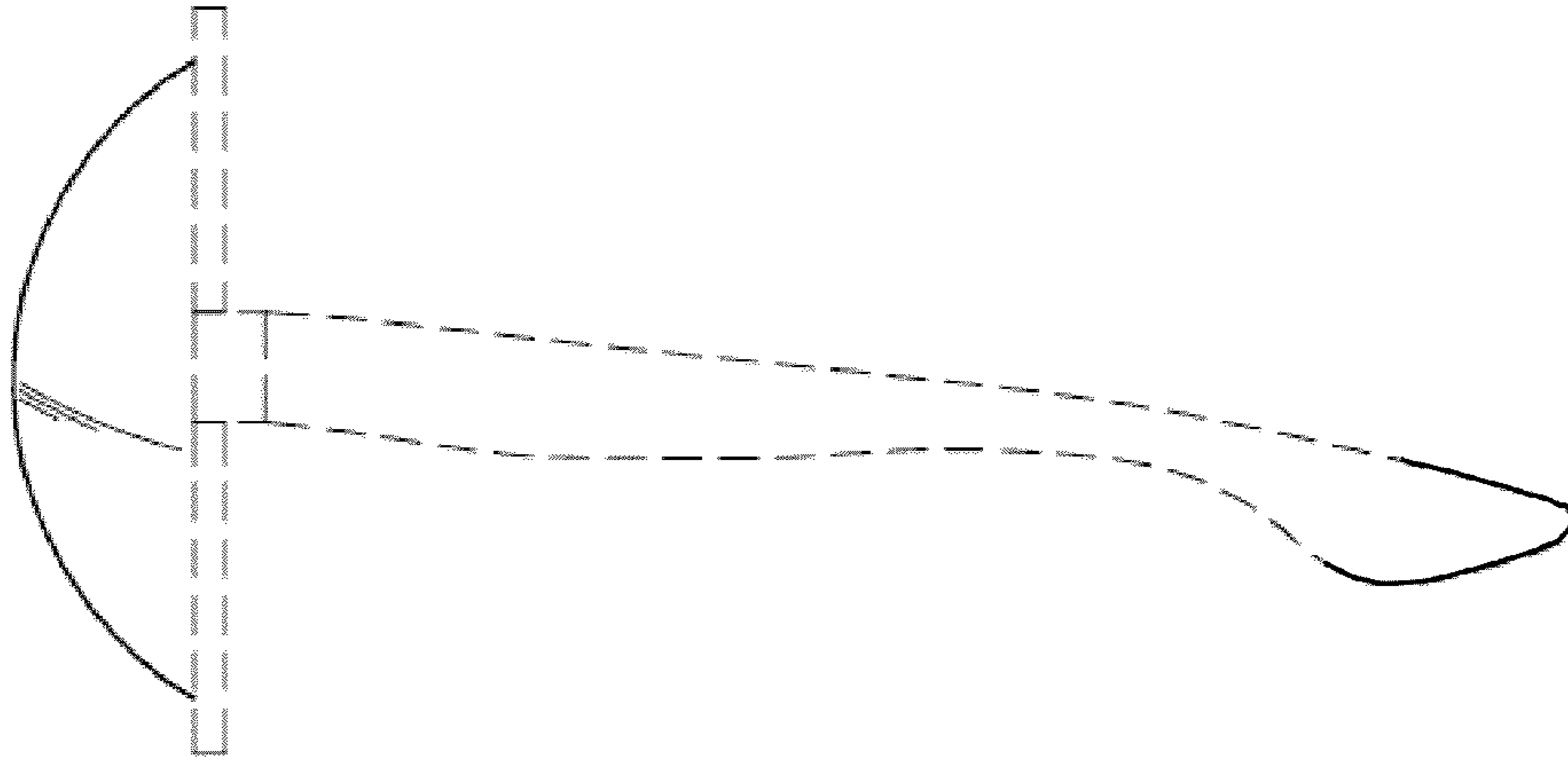


FIG. 3

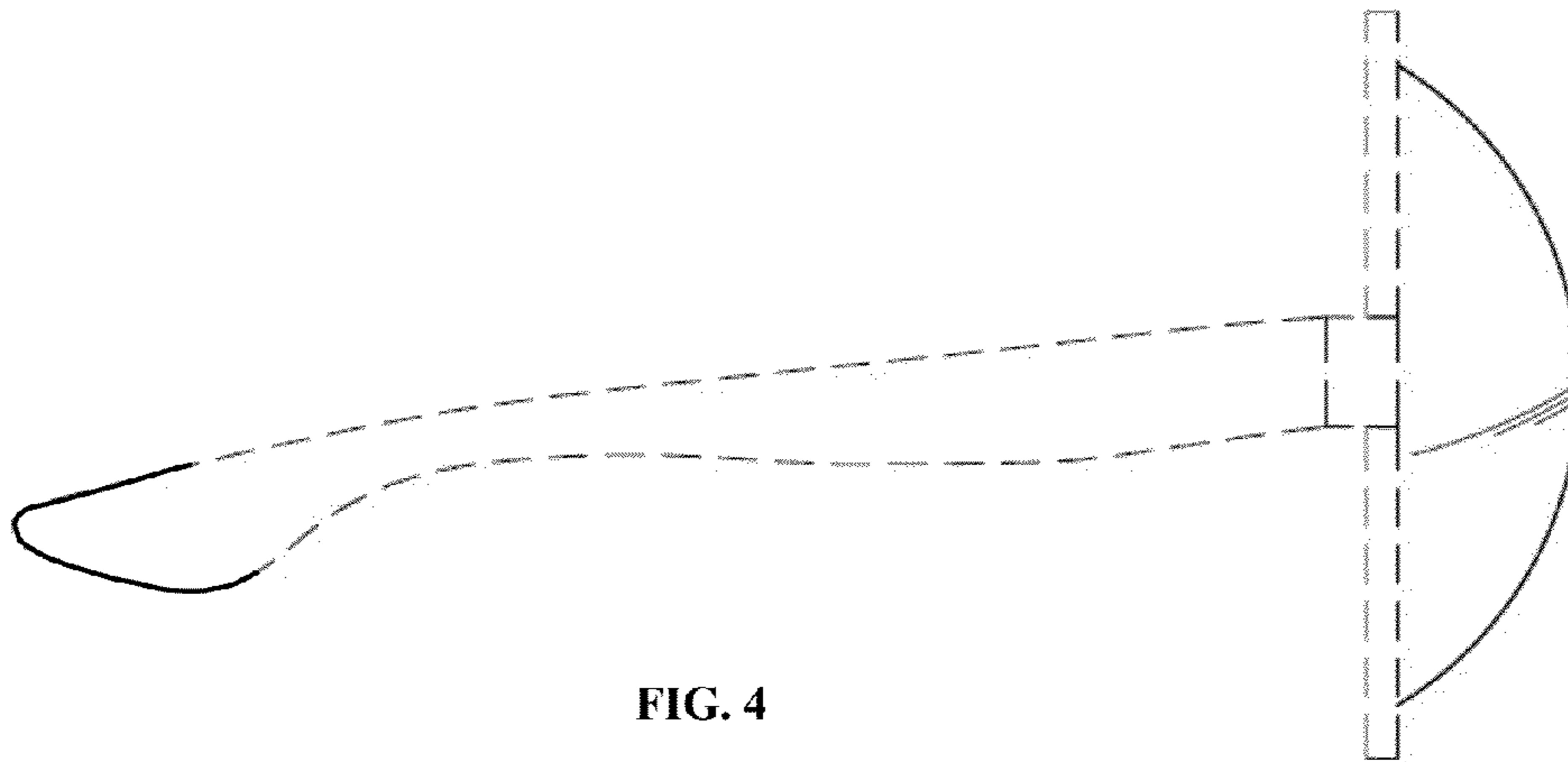


FIG. 4

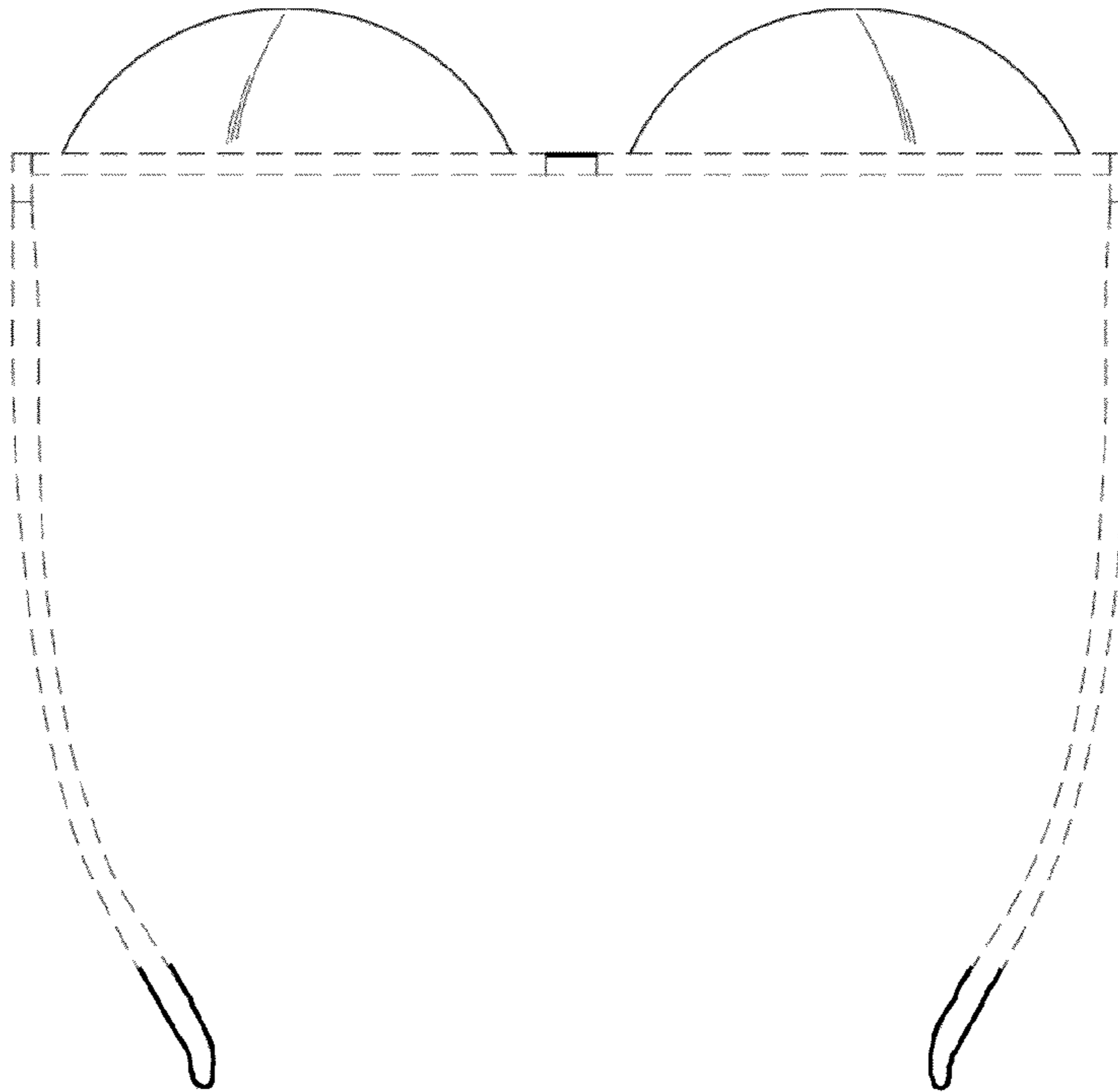


FIG. 5

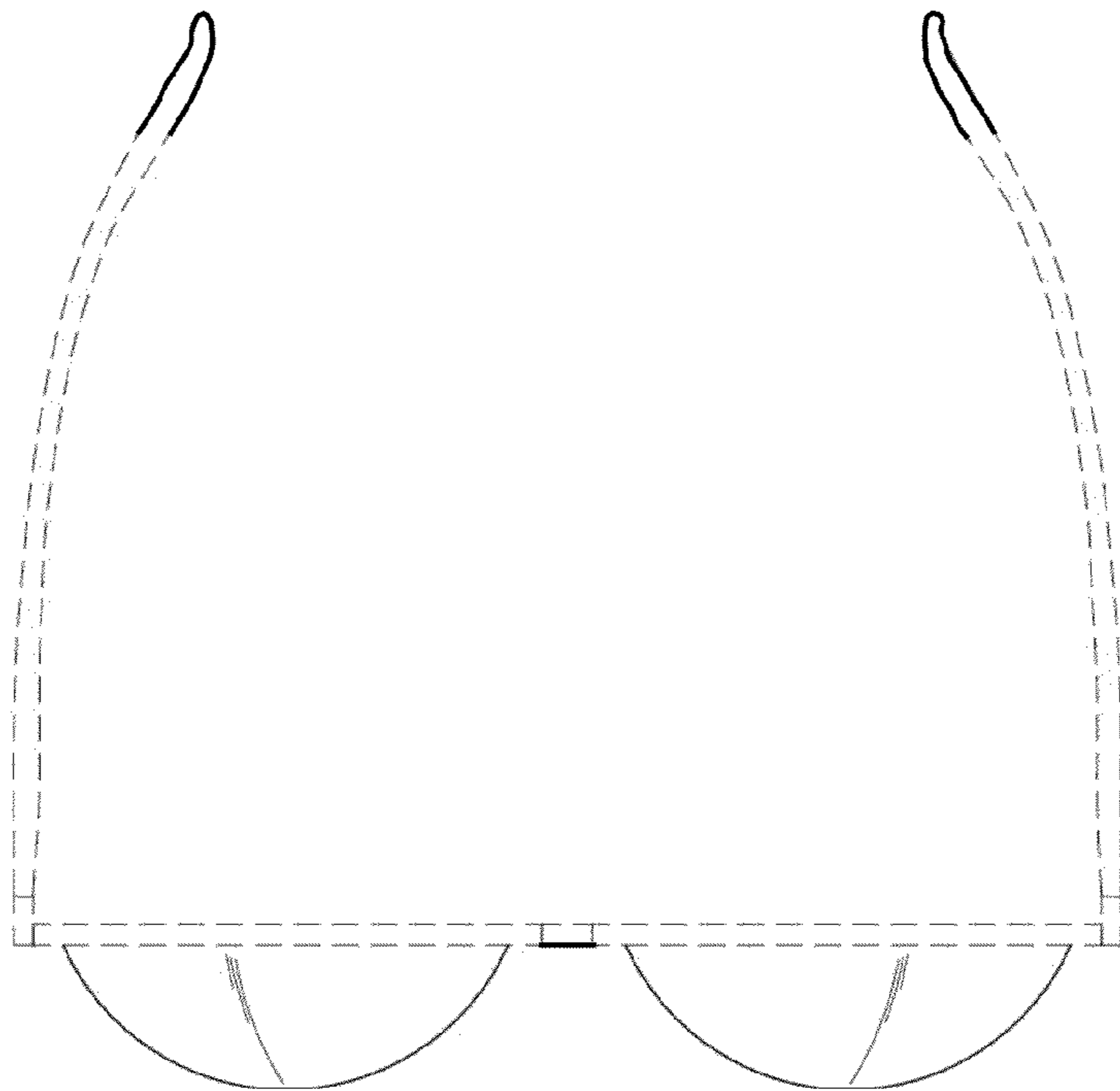


FIG. 6

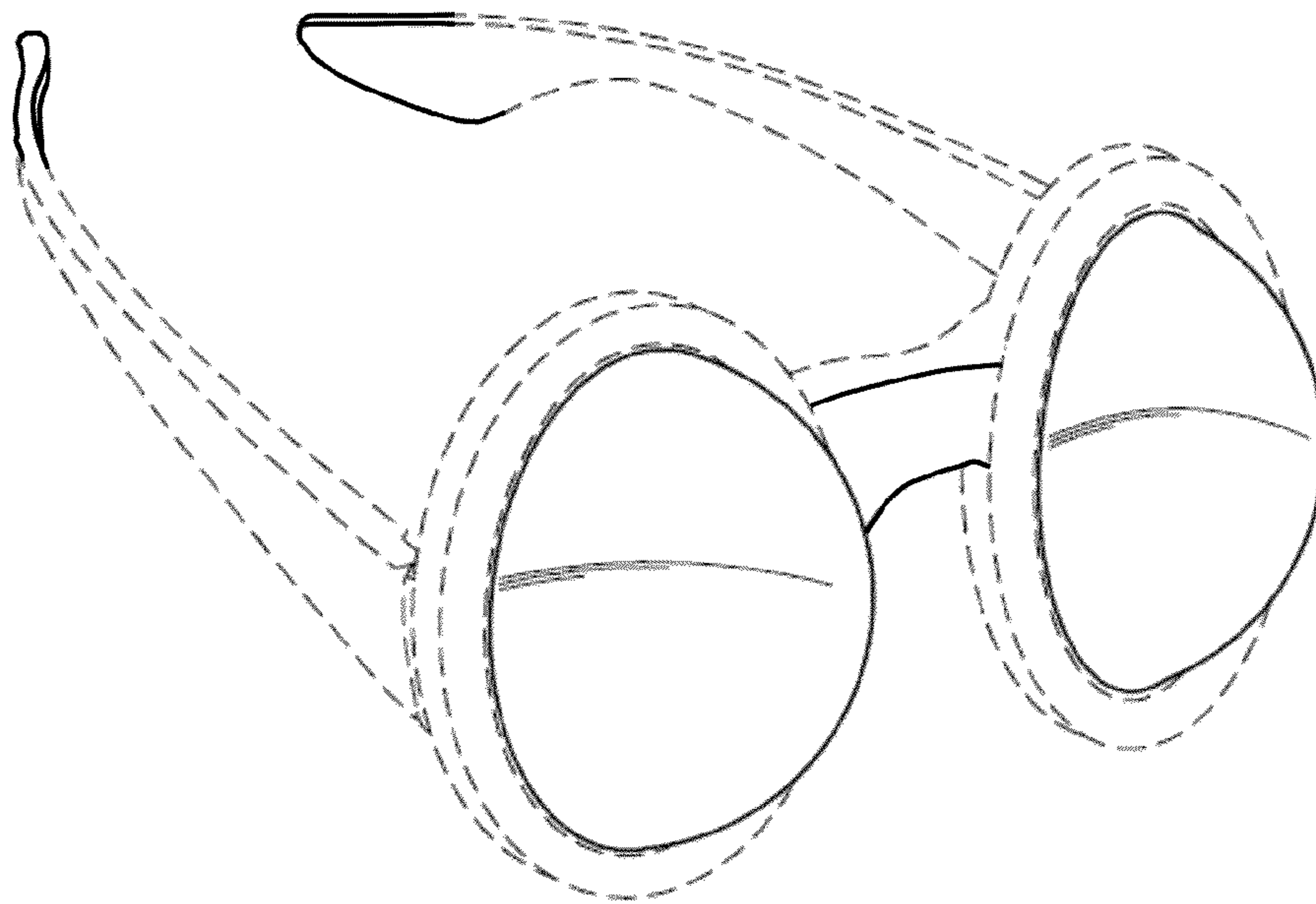


FIG. 7