



US00D733787S

(12) **United States Design Patent**  
**Baker et al.**

(10) **Patent No.:** **US D733,787 S**  
(45) **Date of Patent:** **\*\* Jul. 7, 2015**

(54) **CAMERA DIVE FILTER**

(71) Applicant: **GoPro, Inc.**, San Mateo, CA (US)

(72) Inventors: **Jesse Baker**, San Francisco, CA (US);  
**Richard Gioscia**, Santa Clara, CA (US);  
**Joshua Randall Clyne**, Sunnyvale, CA (US)

(73) Assignee: **GoPro, Inc.**, San Mateo, CA (US)

(\*\*) Term: **14 Years**

(21) Appl. No.: **29/484,181**

(22) Filed: **Mar. 6, 2014**

(51) **LOC (10) Cl.** ..... **16-05**

(52) **U.S. Cl.**  
USPC ..... **D16/237**

(58) **Field of Classification Search**  
USPC ..... D3/263, 267, 268; D9/435, 445, 453;  
D16/200, 202–204, 208, 211, 218, 219,  
D16/237, 242; 248/176.1, 187.1; 348/81,  
348/360, 373–376, 835; 396/25, 27–29,  
396/419, 535, 539–541; 206/316.2  
CPC ..... G03B 15/03; G03B 17/02; G03B 17/04;  
G03B 17/08; G03B 17/56; G03B 19/04;  
H04N 5/2251; H04N 5/2252; H04N 5/2253;  
H04N 5/2254; A45C 11/38  
See application file for complete search history.

(56) **References Cited**

**U.S. PATENT DOCUMENTS**

4,485,398	A	*	11/1984	Chapin et al.	.....	348/81
D425,092	S	*	5/2000	Eto et al.	.....	D16/208
D540,669	S	*	4/2007	George et al.	.....	D9/435
D605,941	S	*	12/2009	Leonardis	.....	D9/435
D622,591	S	*	8/2010	Biesecker et al.	.....	D9/435
D642,054	S	*	7/2011	Samartgis	.....	D9/435
D646,313	S	*	10/2011	Woodman	.....	D16/200

D647,554	S	*	10/2011	Yim	.....	D16/204
D657,808	S	*	4/2012	Woodman	.....	D16/200
D674,429	S	*	1/2013	Woodman	.....	D16/218
D702,747	S	*	4/2014	Woodman et al.	.....	D16/200
D702,754	S	*	4/2014	Bould et al.	.....	D16/237
D710,921	S	*	8/2014	Gioscia et al.	.....	D16/200
D710,922	S	*	8/2014	Gioscia et al.	.....	D16/200
2003/0133206	A1	*	7/2003	Belefant	.....	359/885
2007/0071423	A1	*	3/2007	Fantone et al.	.....	396/27
2009/0317069	A1	*	12/2009	Yim	.....	396/27

**OTHER PUBLICATIONS**

GoPro Hero3 Red Dive Filter-Snap on Accessory [online]. Feb. 15, 2013 [retrieved on Apr. 2, 2015]. Retrieved from the Internet: <<http://www.desirethis.com/607/gopro-hero3-red-dive-filtersnap-on-accessory/>>.\*

\* cited by examiner

*Primary Examiner* — Adir Aronovich

*Assistant Examiner* — Ramzi Almatrahi

(74) *Attorney, Agent, or Firm* — Fenwick & West LLP

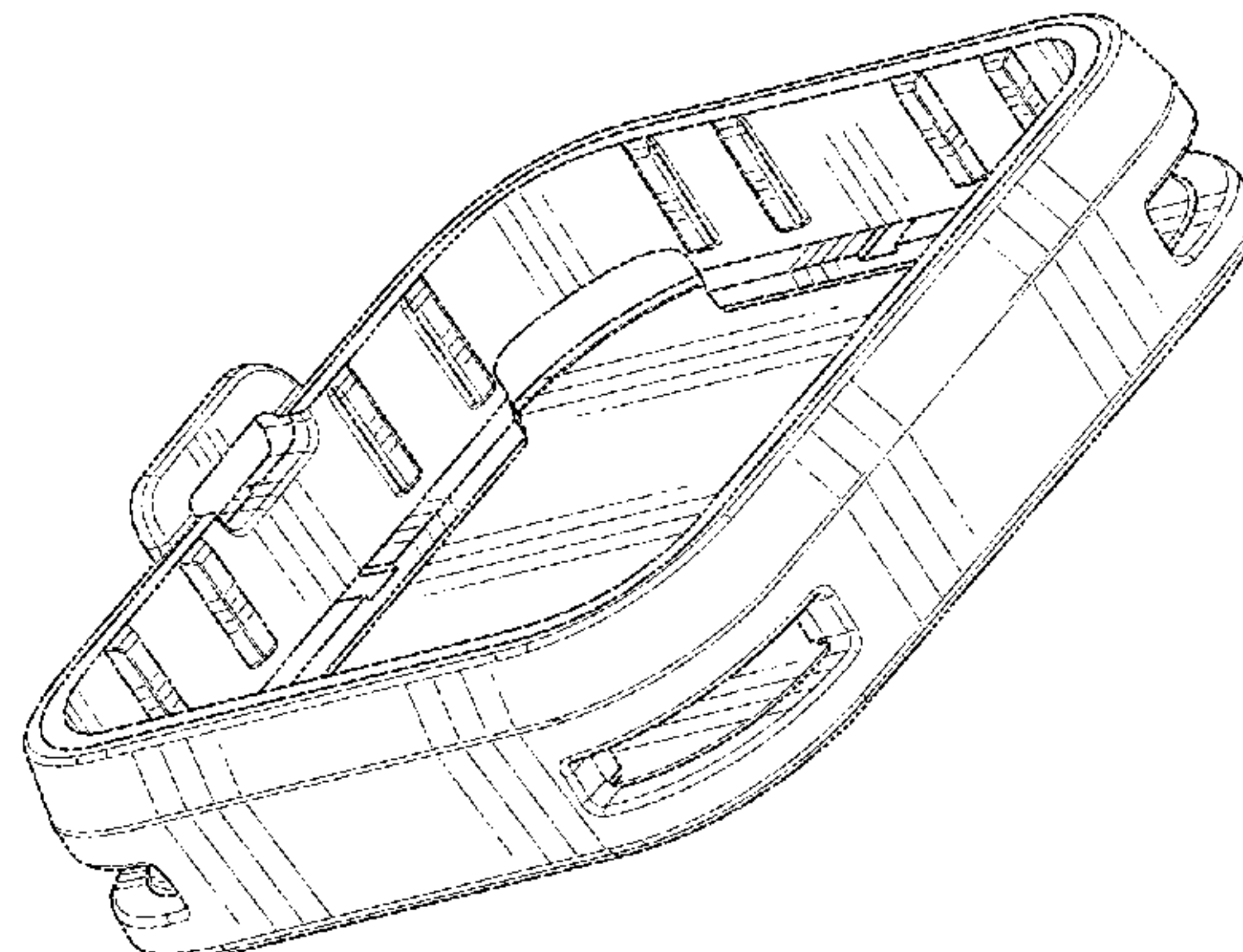
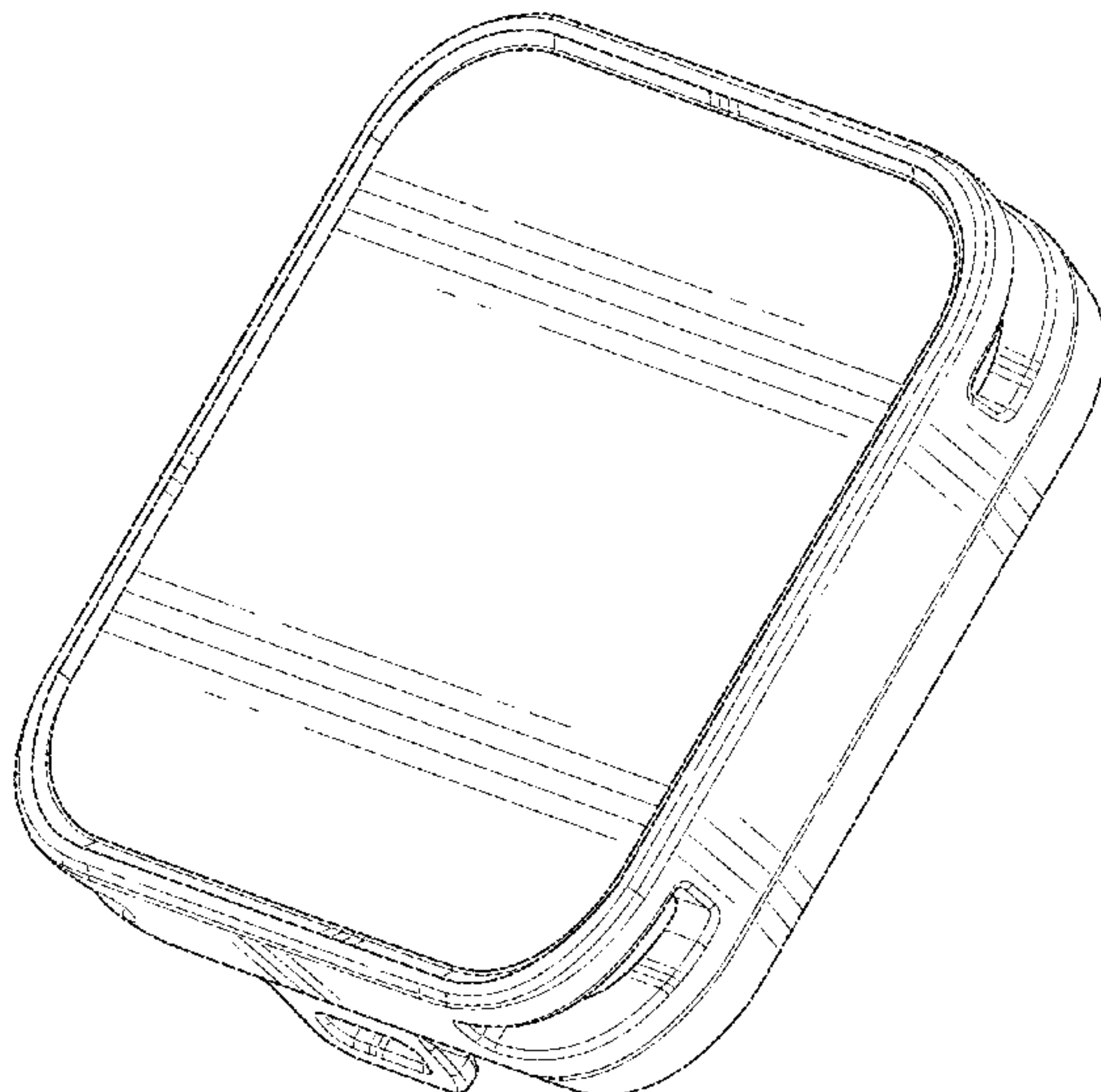
(57) **CLAIM**

The ornamental design for a camera dive filter, as shown and described.

**DESCRIPTION**

FIG. 1 is a front, bottom and right side perspective view of a camera dive filter showing our new design;  
FIG. 2 is a front, top and left side perspective view thereof;  
FIG. 3 is a rear, top and right side perspective view thereof;  
FIG. 4 is a rear, bottom and right side perspective view thereof;  
FIG. 5 is a rear, bottom and left side perspective view thereof;  
FIG. 6 is a rear, top and left side perspective view thereof;  
FIG. 7 is a front elevational view thereof;  
FIG. 8 is a rear elevational view thereof;  
FIG. 9 is a bottom plan view thereof;  
FIG. 10 is a top plan view thereof;  
FIG. 11 is a left side elevational view thereof; and,  
FIG. 12 is a right side elevational view thereof.

**1 Claim, 12 Drawing Sheets**



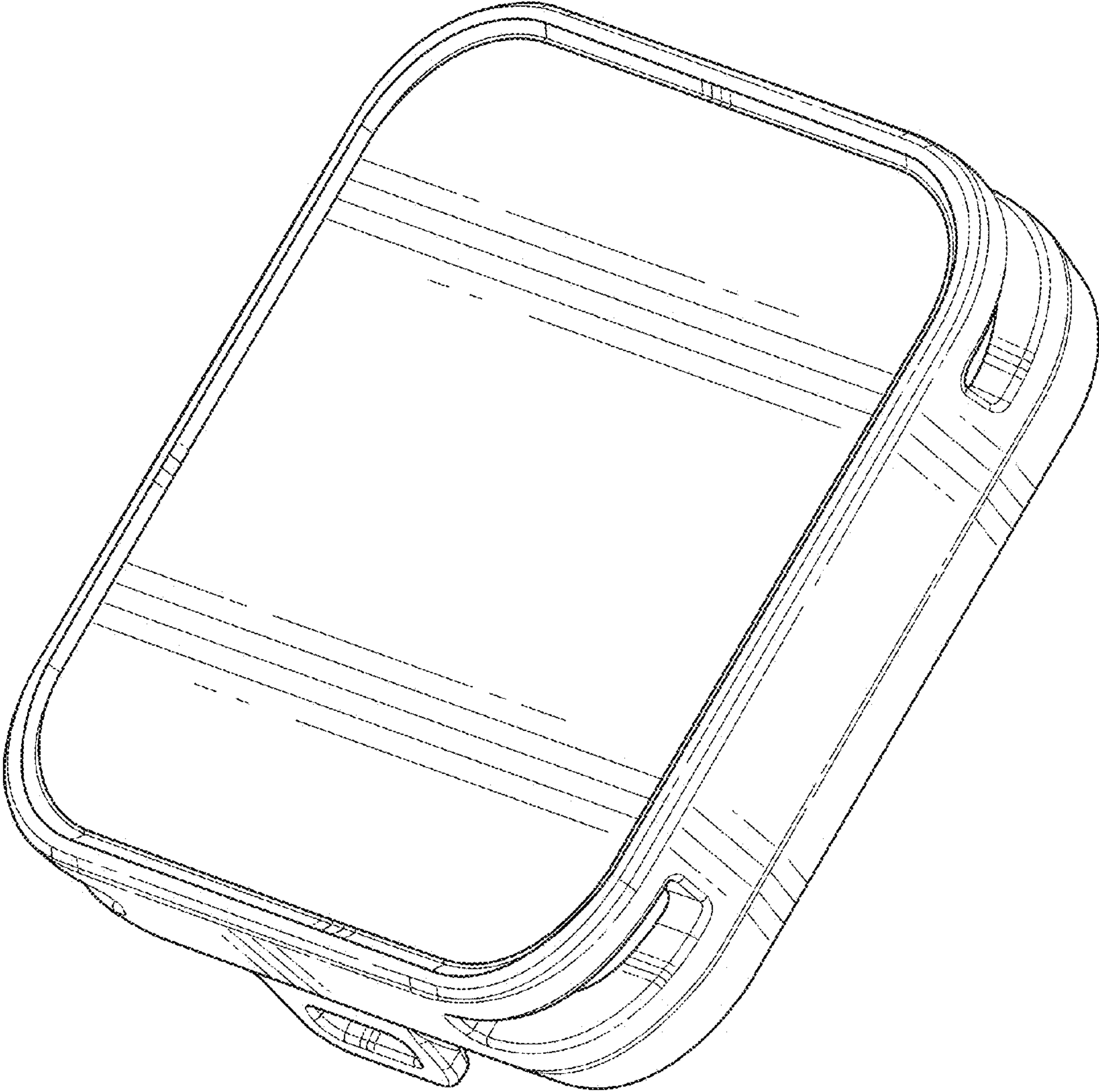


FIG. 1



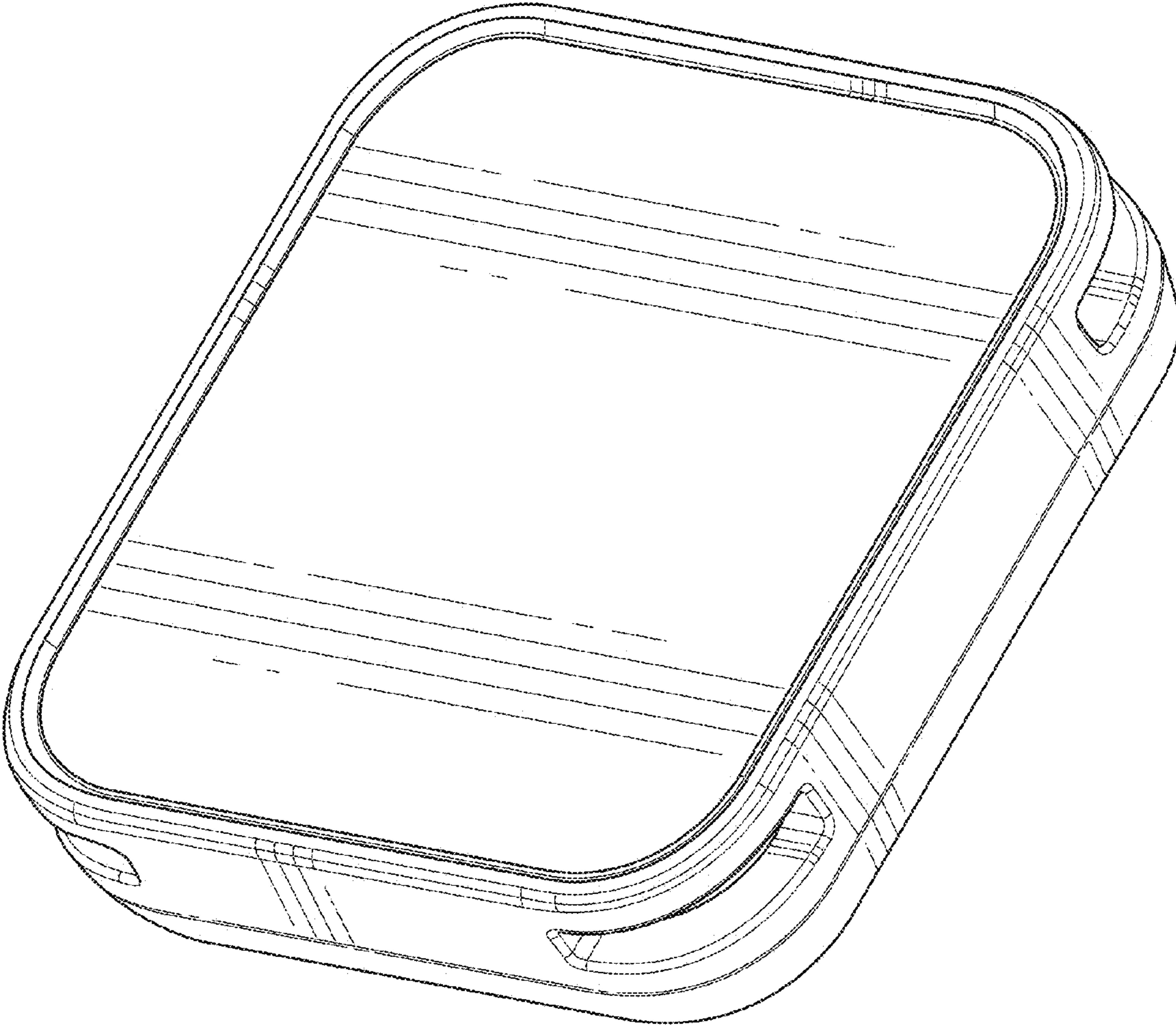


FIG. 2

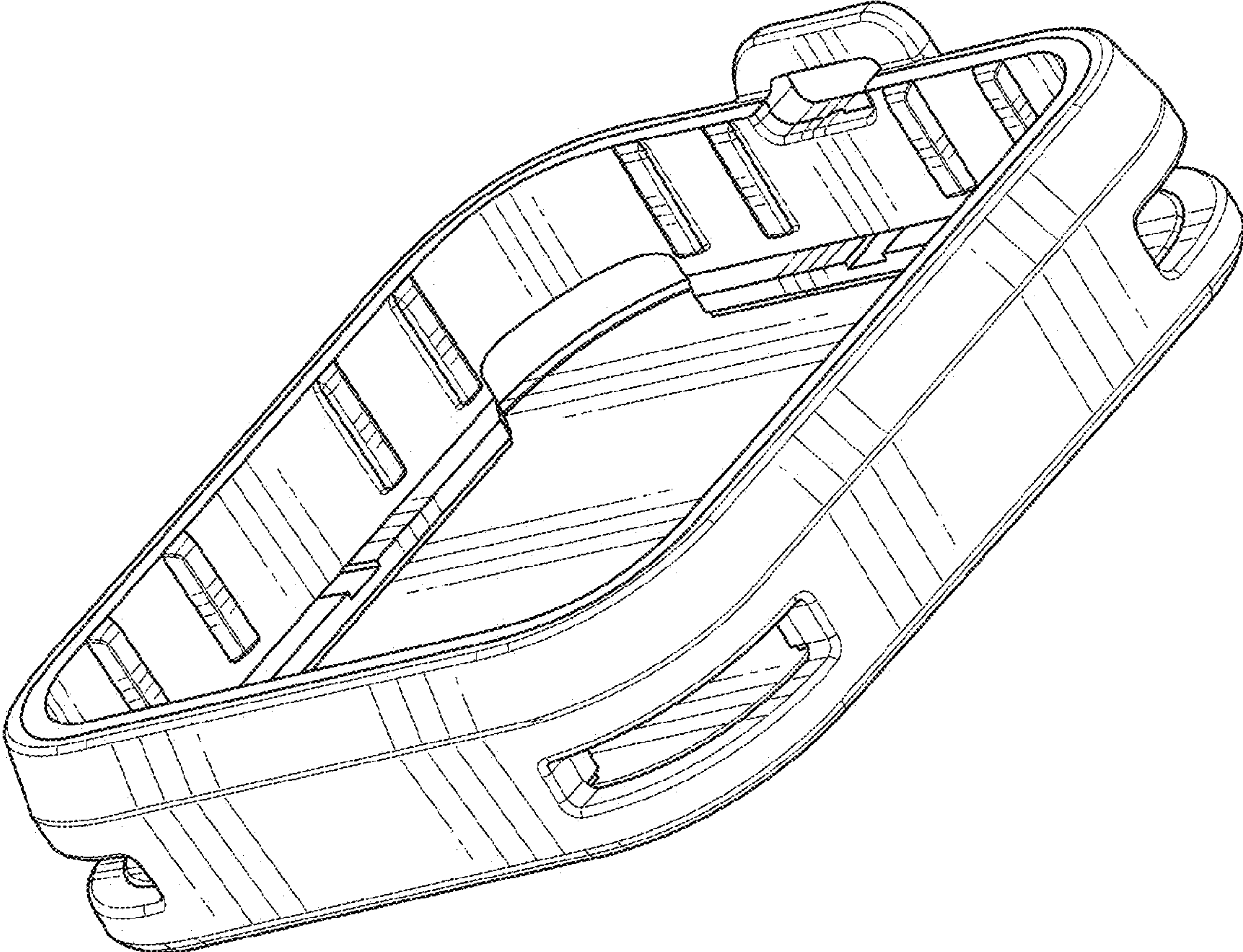


FIG. 3

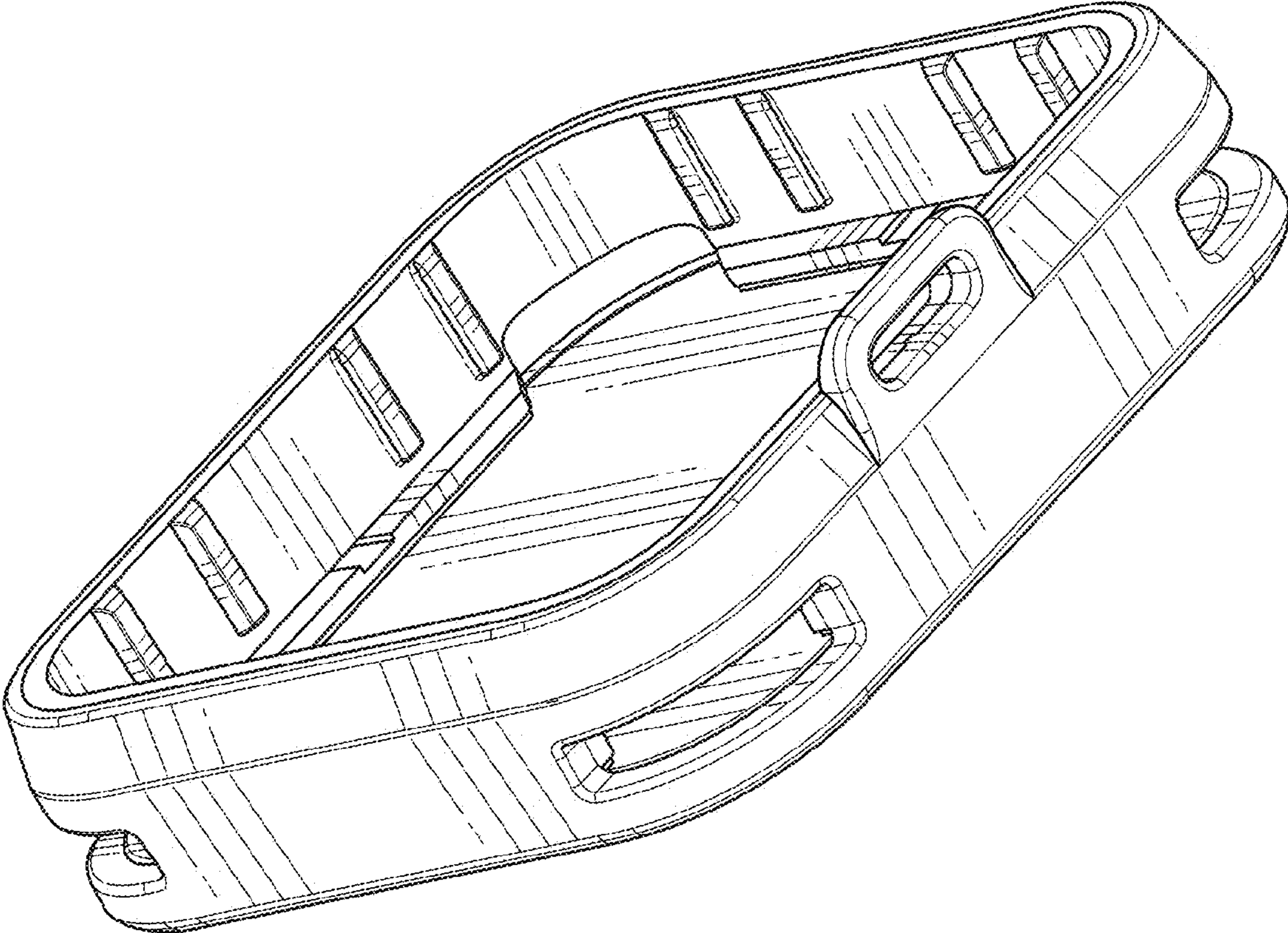


FIG. 4



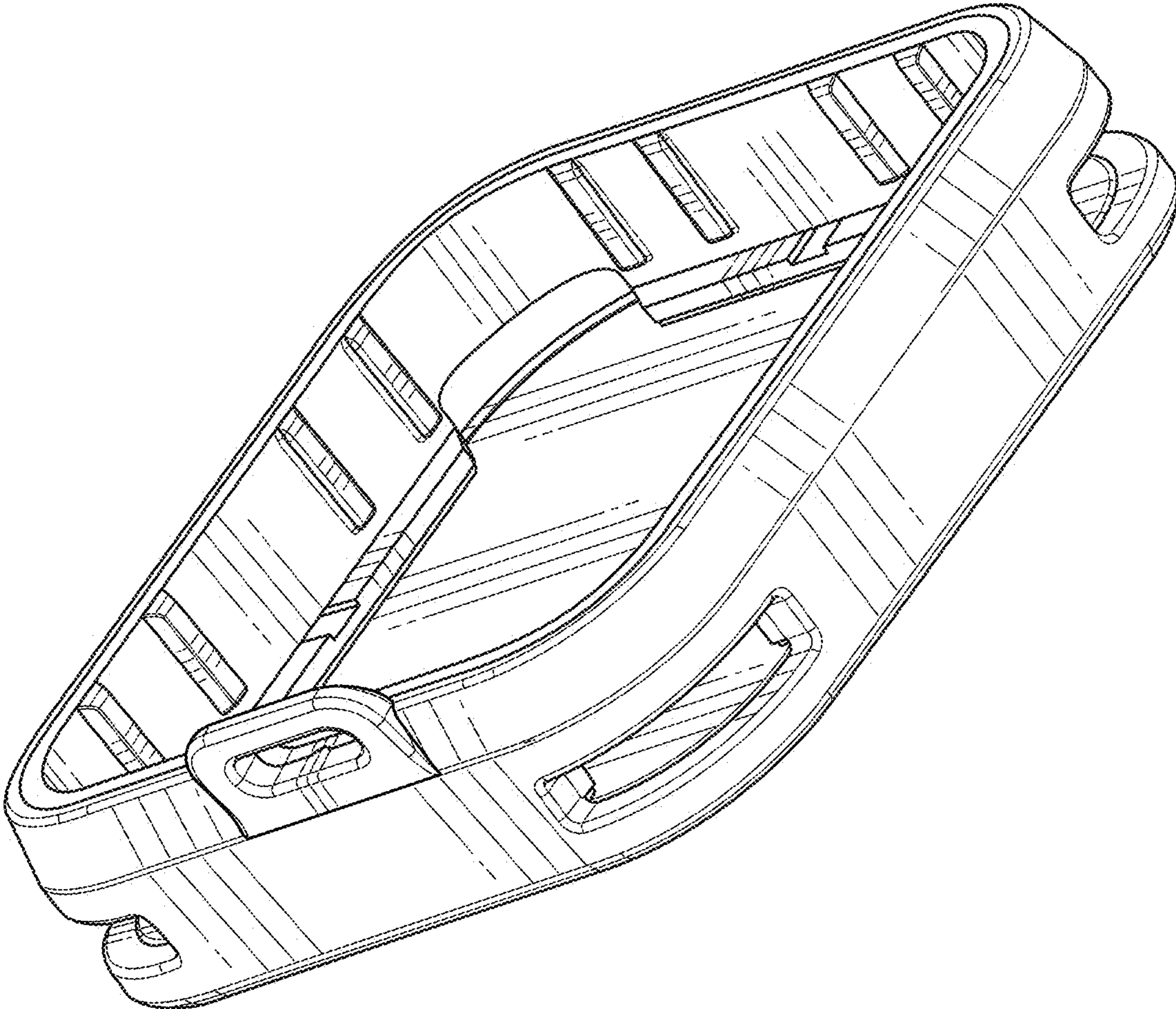


FIG. 5

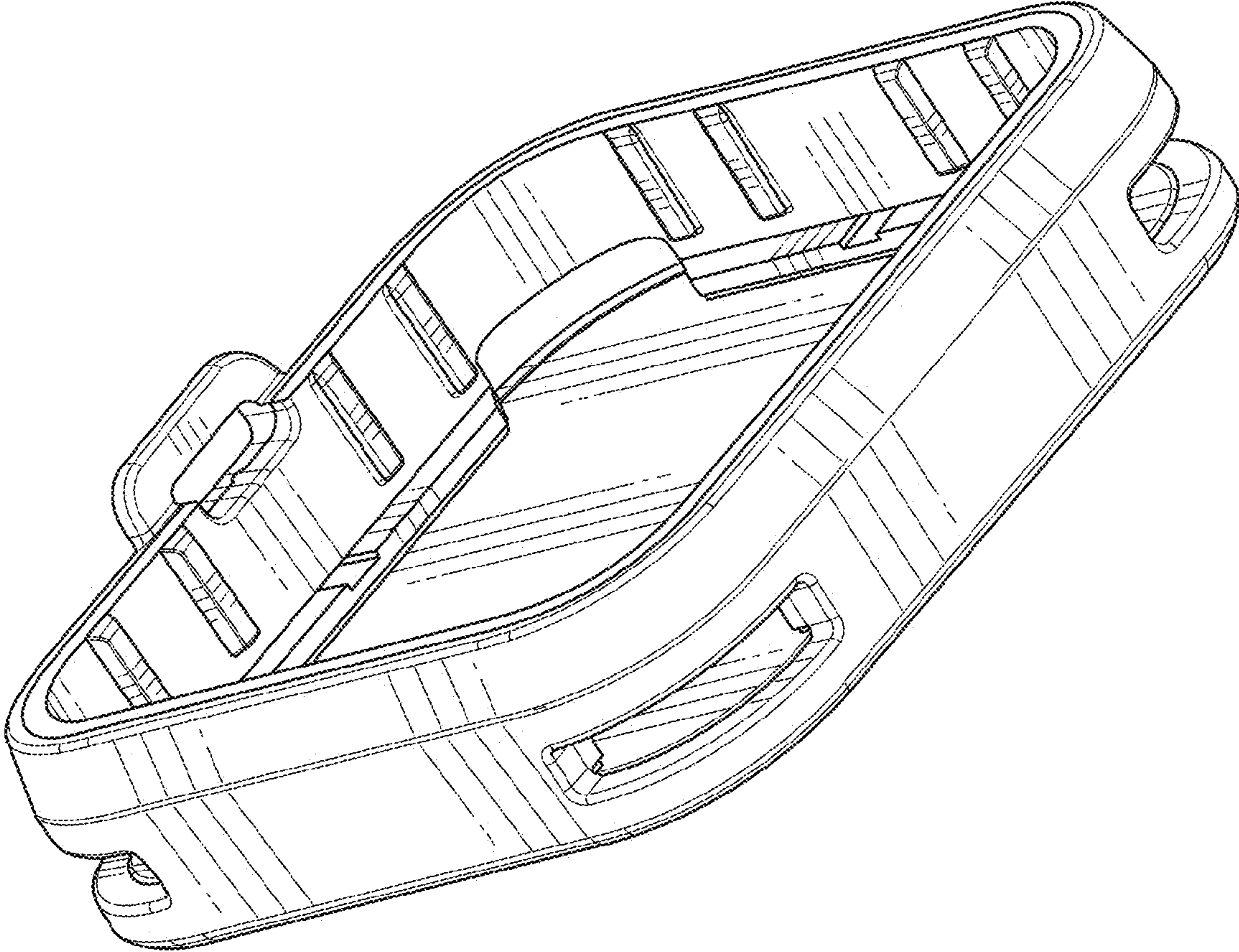


FIG. 6

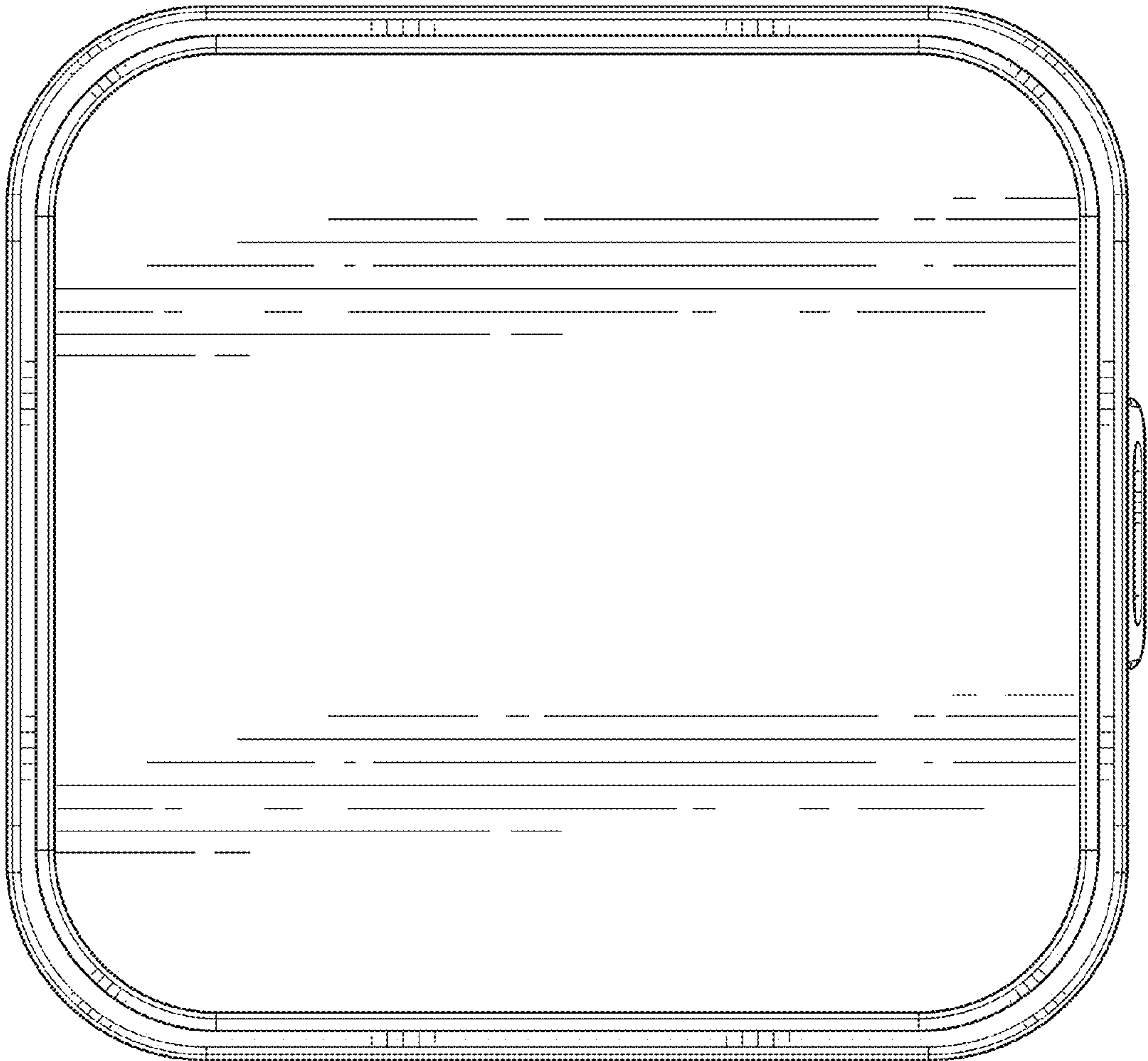


FIG. 7



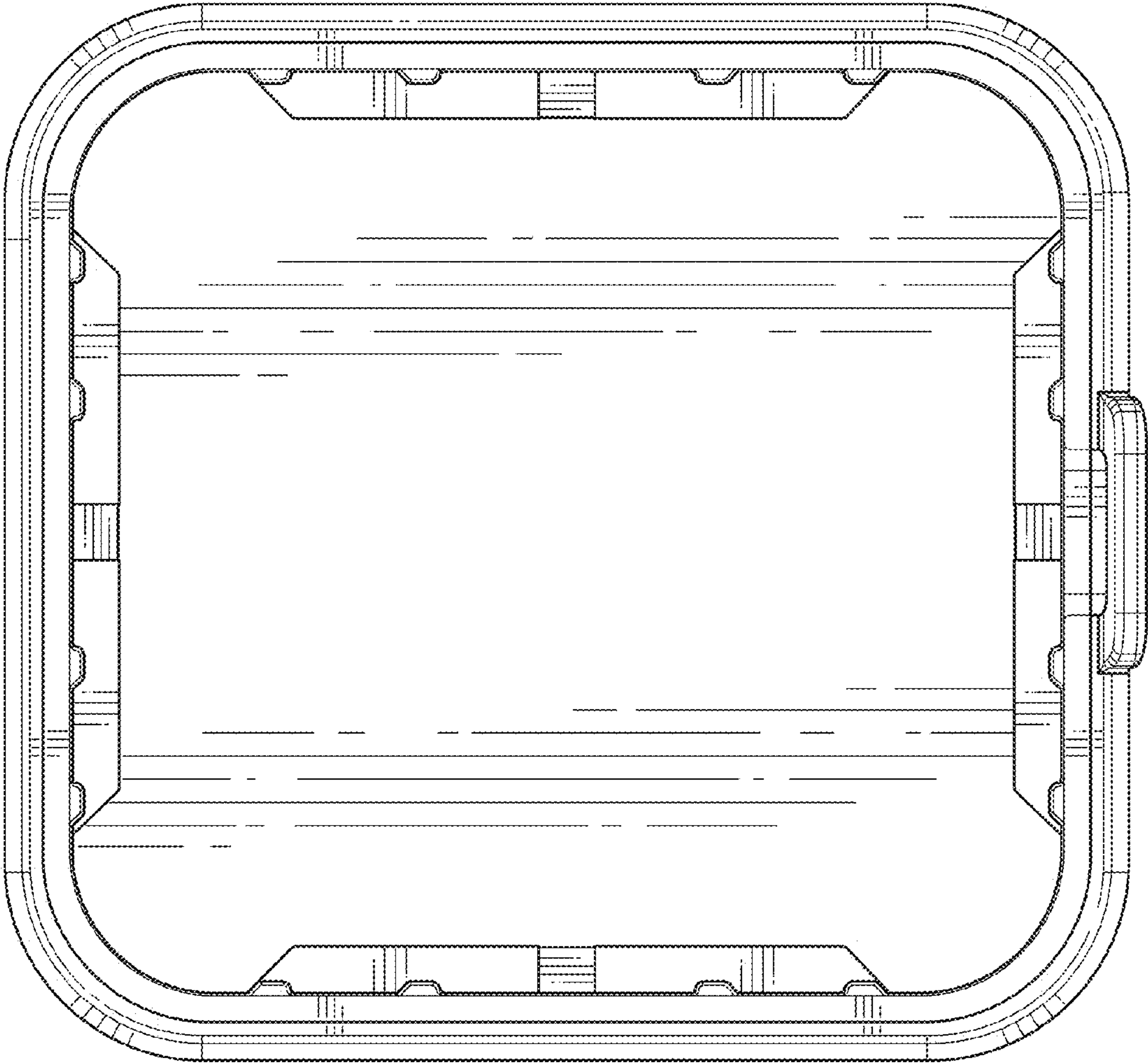


FIG. 8

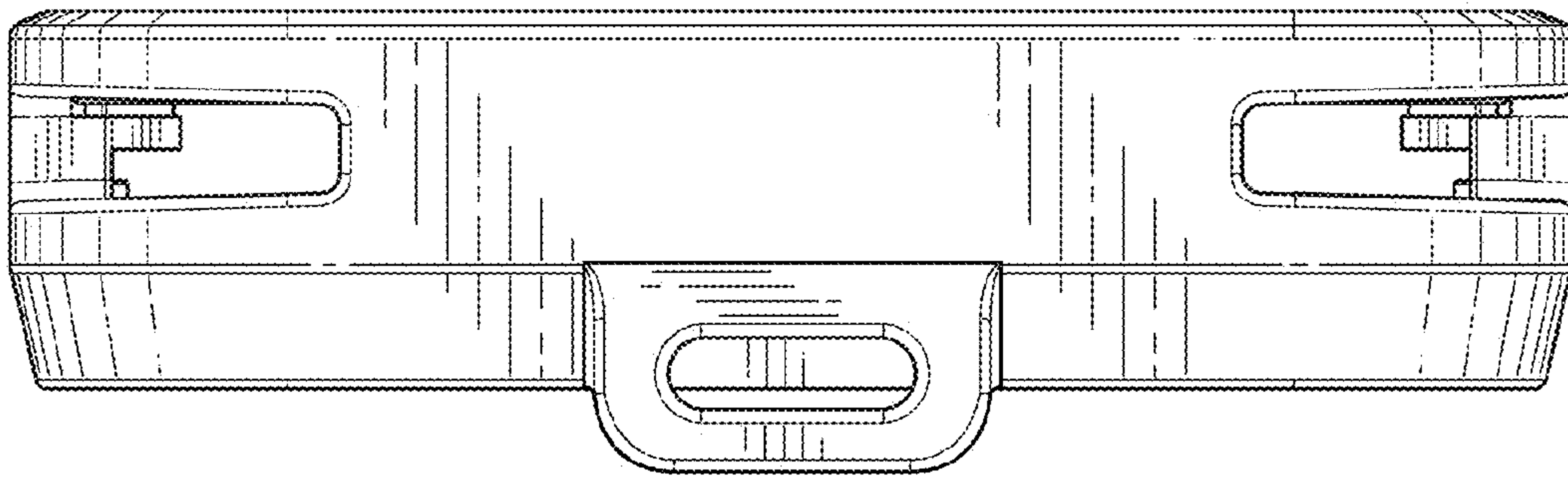


FIG. 9

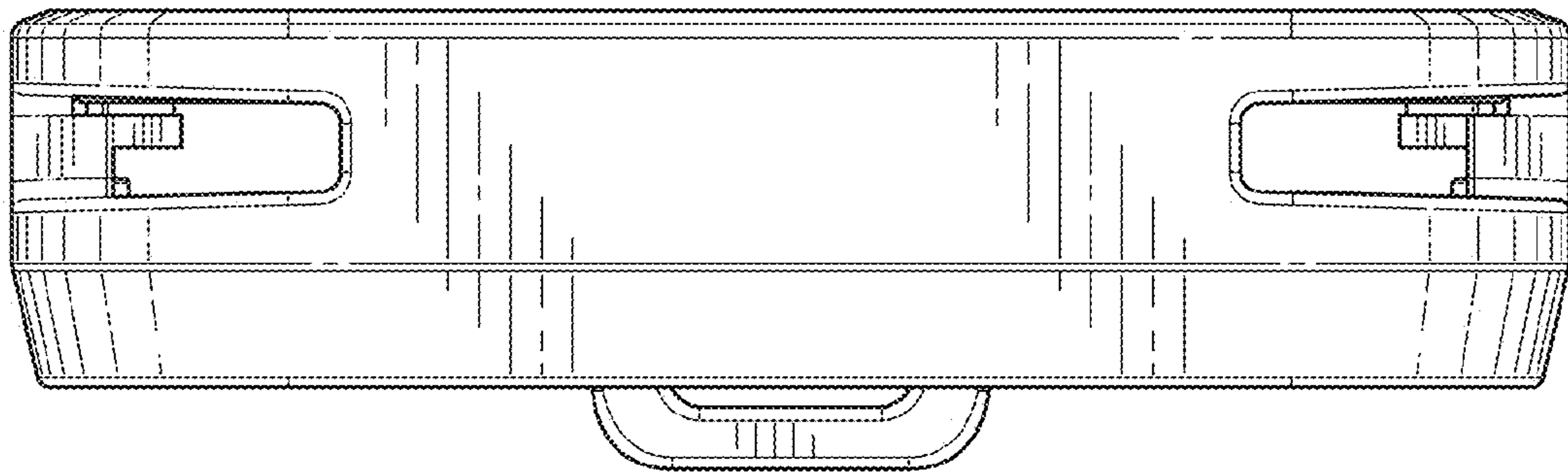


FIG. 10



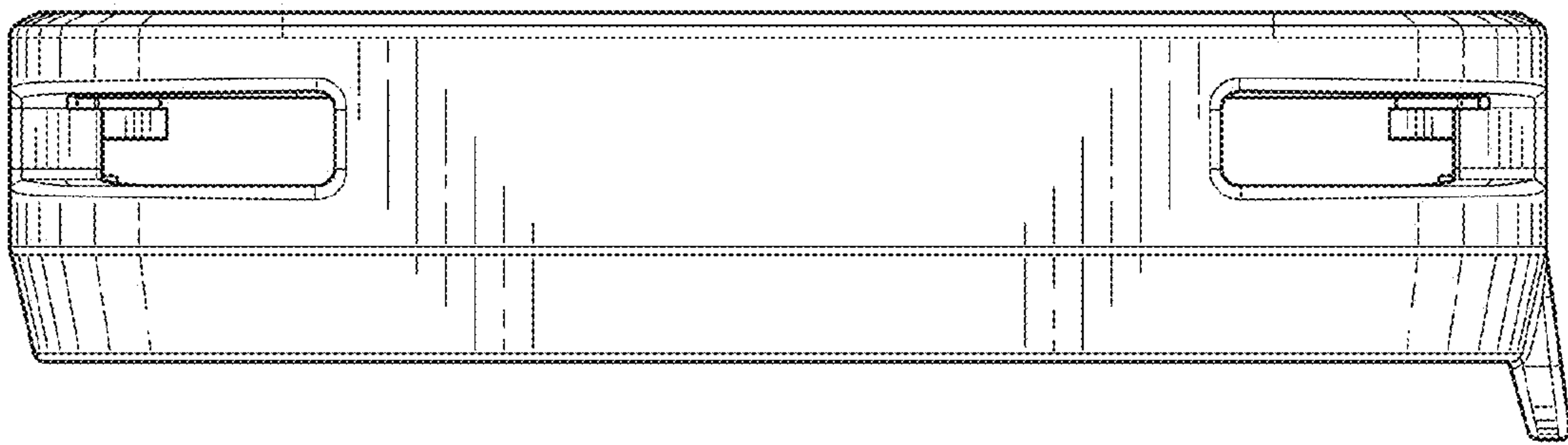


FIG. 11

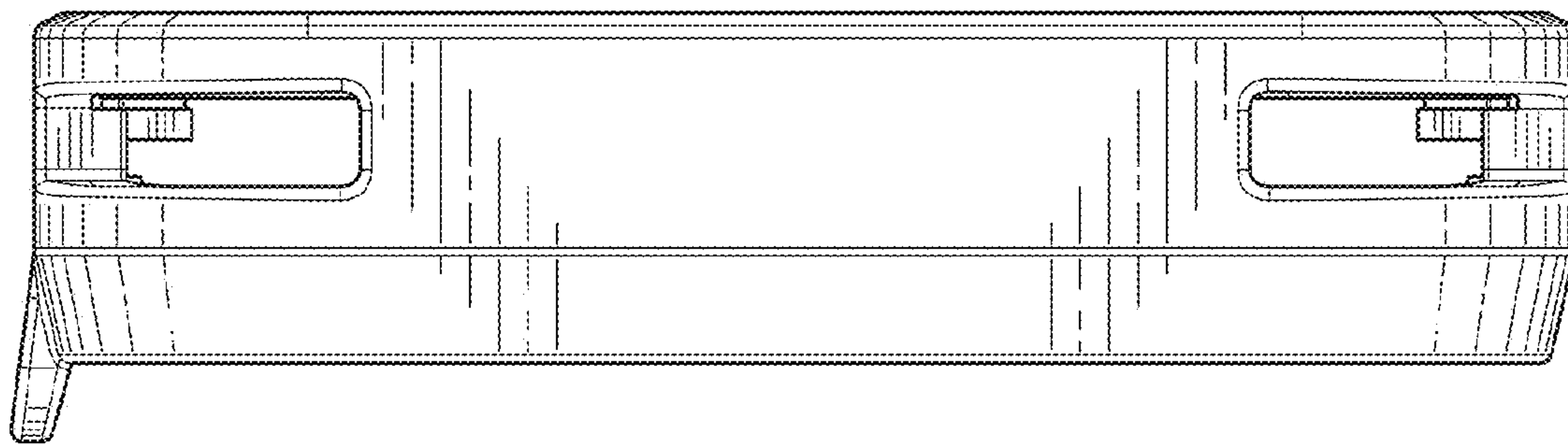


FIG. 12