



US00D733785S

(12) **United States Design Patent**  
**Mochinushi et al.**

(10) **Patent No.:** **US D733,785 S**  
(45) **Date of Patent:** **\*\* Jul. 7, 2015**

(54) **DIGITAL CAMERA**  
(71) Applicant: **OLYMPUS IMAGING CORP.**,  
Shibuya-ku, Tokyo (JP)  
(72) Inventors: **Hidenobu Mochinushi**, Tokyo (JP);  
**Koji Sakai**, Hachioji (JP)  
(73) Assignee: **OLYMPUS IMAGING CORP.**, Tokyo  
(JP)

8,032,018 B2 \* 10/2011 Ji ..... 396/178  
8,131,147 B2 \* 3/2012 Kusatsugu ..... 396/535  
2006/0062568 A1 \* 3/2006 Kawai ..... 396/439  
2006/0072916 A1 \* 4/2006 Liu ..... 396/177  
2010/0158497 A1 \* 6/2010 Ji ..... 396/178

\* cited by examiner

*Primary Examiner* — Adir Aronovich

(74) *Attorney, Agent, or Firm* — Holtz, Holtz, Goodman &  
Chick PC

(\*\*) Term: **14 Years**  
(21) Appl. No.: **29/486,686**  
(22) Filed: **Apr. 1, 2014**

(57) **CLAIM**  
The ornamental design for a digital camera, as shown and  
described.

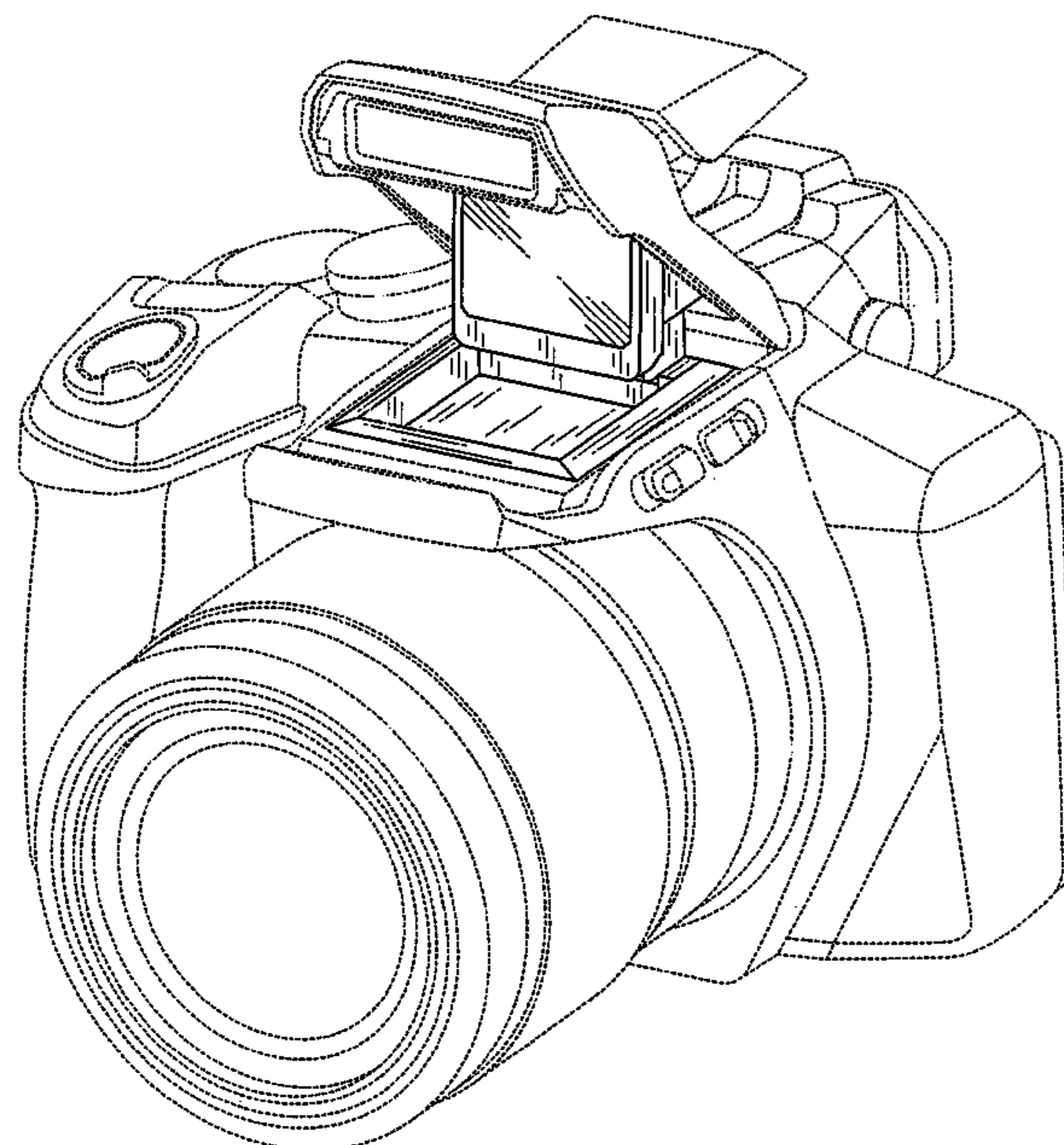
(30) **Foreign Application Priority Data**  
Jan. 14, 2014 (JP) ..... 2014-000457  
(51) **LOC (10) Cl.** ..... **16-05**  
(52) **U.S. Cl.**  
USPC ..... **D16/219**  
(58) **Field of Classification Search**  
USPC ..... D16/200, 206, 208, 209, 216–218;  
348/373–376; 396/176–178, 439,  
396/535–541  
See application file for complete search history.

**DESCRIPTION**

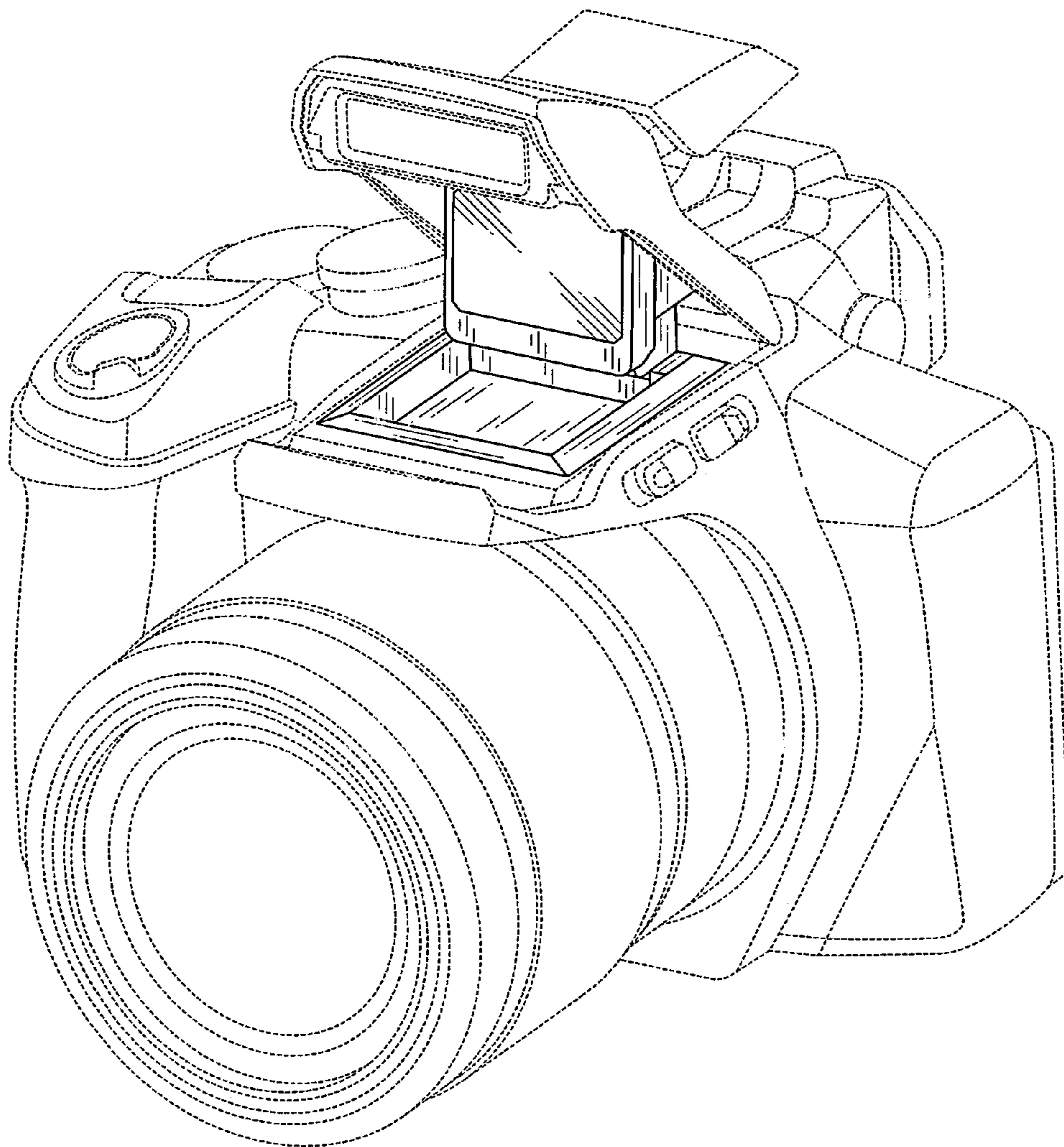
FIG. 1 is a front, top and right side perspective view of a  
digital camera showing my new design;  
FIG. 2 is a front elevational view thereof;  
FIG. 3 is a rear elevational view thereof;  
FIG. 4 is a top plan view thereof;  
FIG. 5 is a bottom plan view thereof;  
FIG. 6 is a right side elevational view thereof;  
FIG. 7 is a left side elevational view thereof;  
FIG. 8 is a front, top and right side perspective view thereof,  
illustrating the state where the strobe portion alone is popped  
up; and,  
FIG. 9 is a front, top and right side perspective view thereof,  
illustrating a state where the strobe portion and the sighting  
mirror are stored.  
The broken lines shown in the drawings are for illustrative  
purposes only and form no part of the claimed design.

(56) **References Cited**  
U.S. PATENT DOCUMENTS  
6,606,459 B2 \* 8/2003 Kobayashi ..... 396/177  
6,952,527 B2 \* 10/2005 Chen ..... 396/177  
D630,664 S \* 1/2011 Yamakawa ..... D16/219

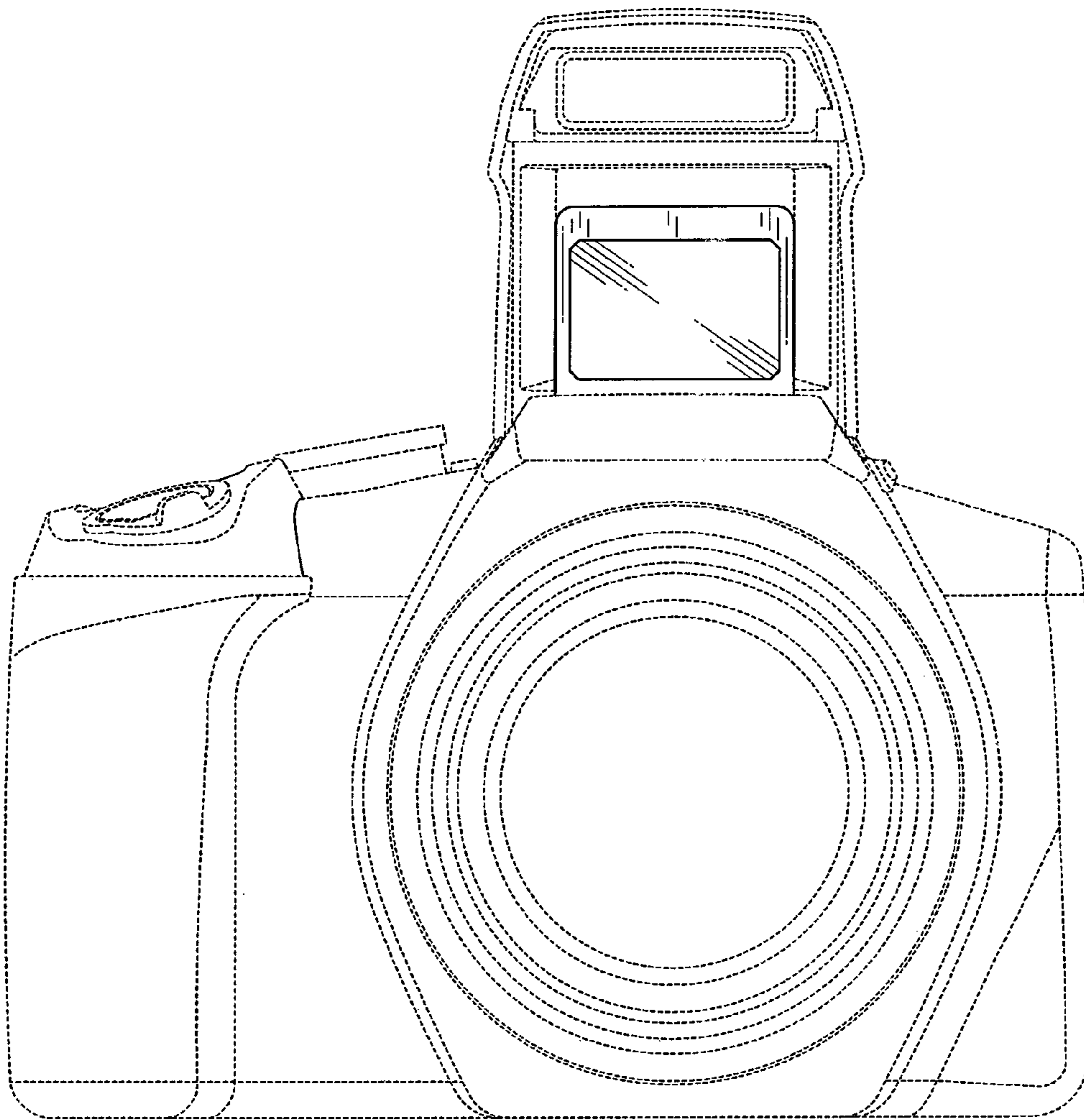
**1 Claim, 9 Drawing Sheets**



**FIG.1**



**FIG.2**



**FIG.3**

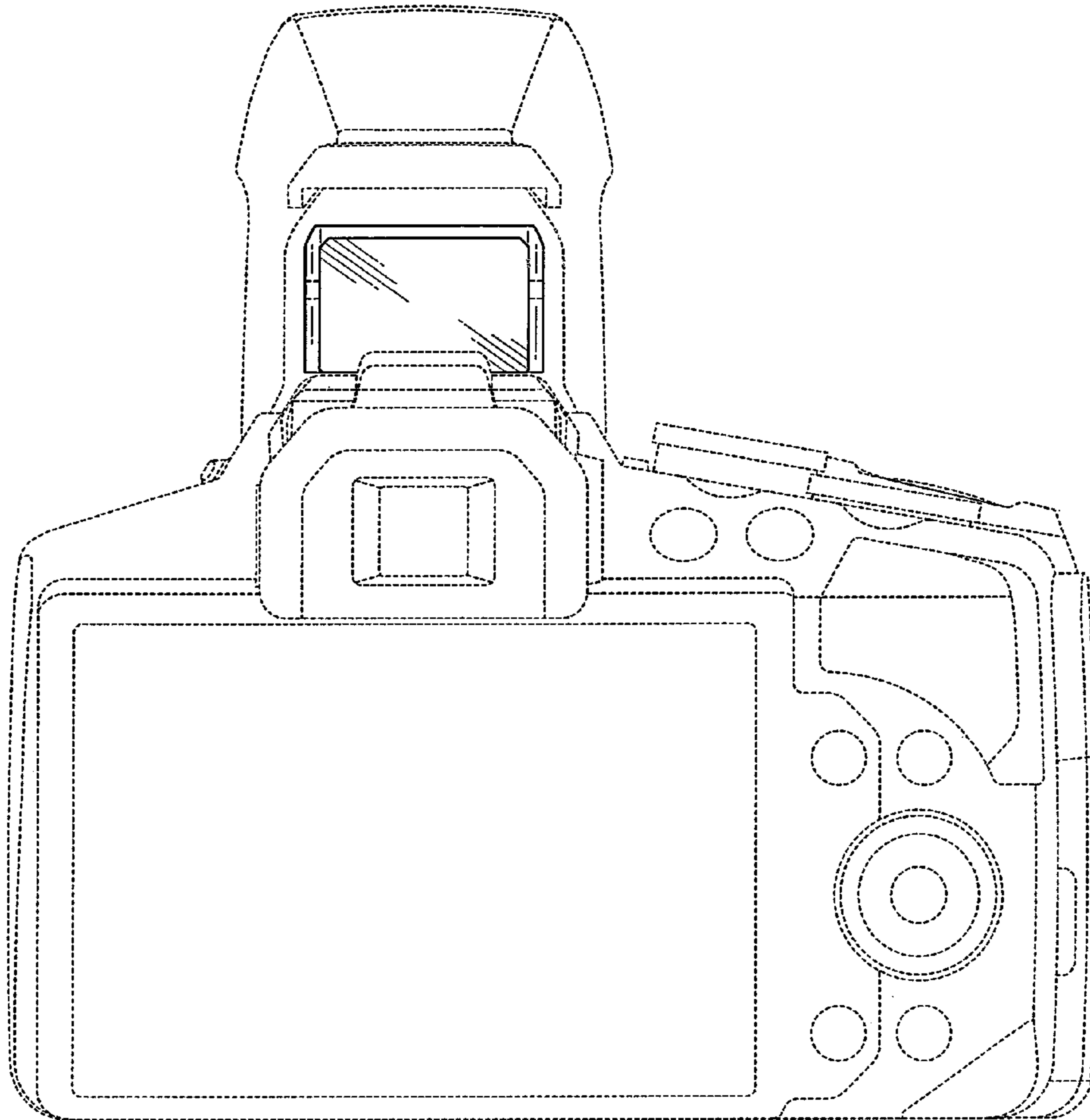


FIG.4

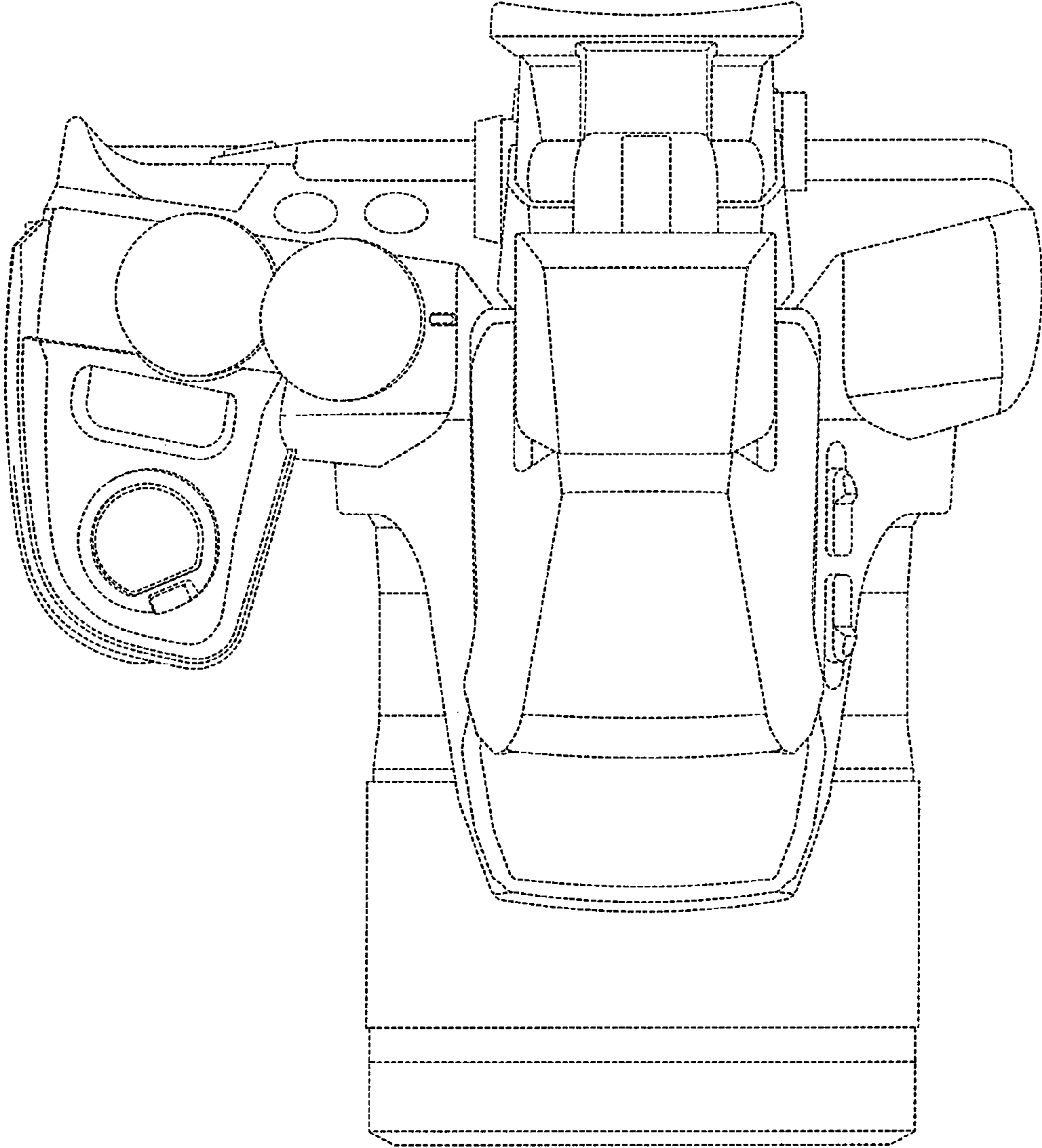
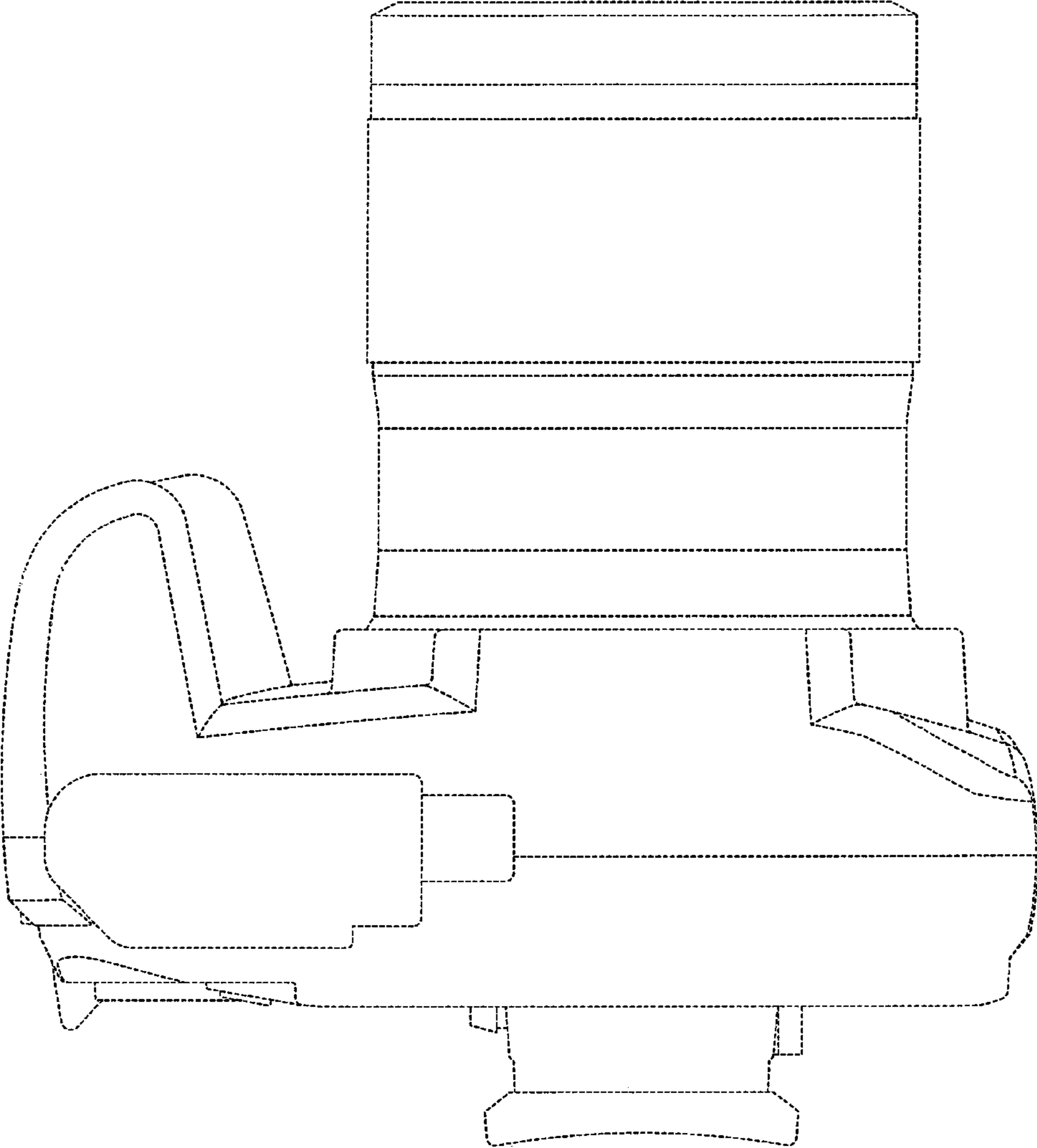


FIG.5



**FIG.6**

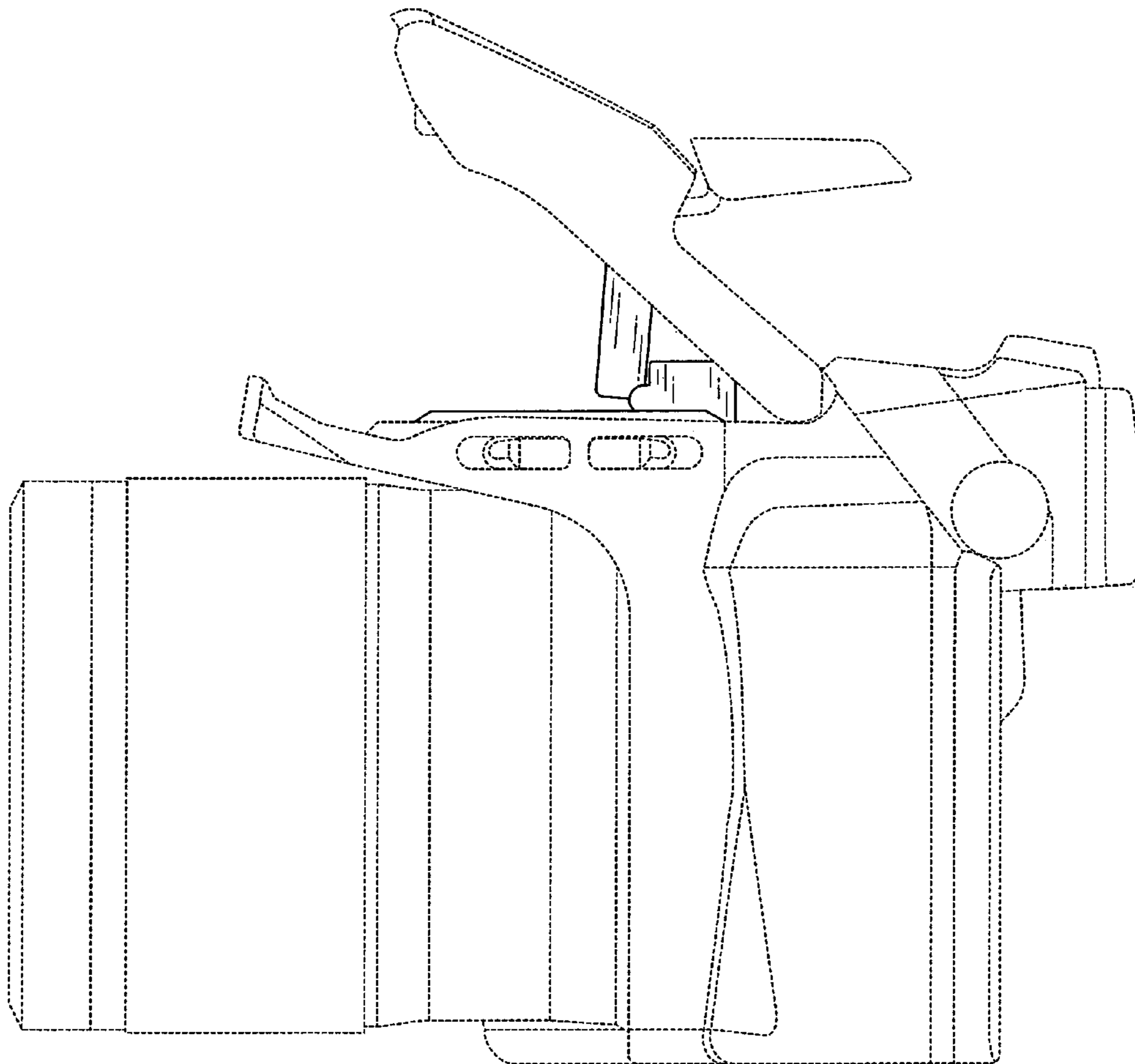
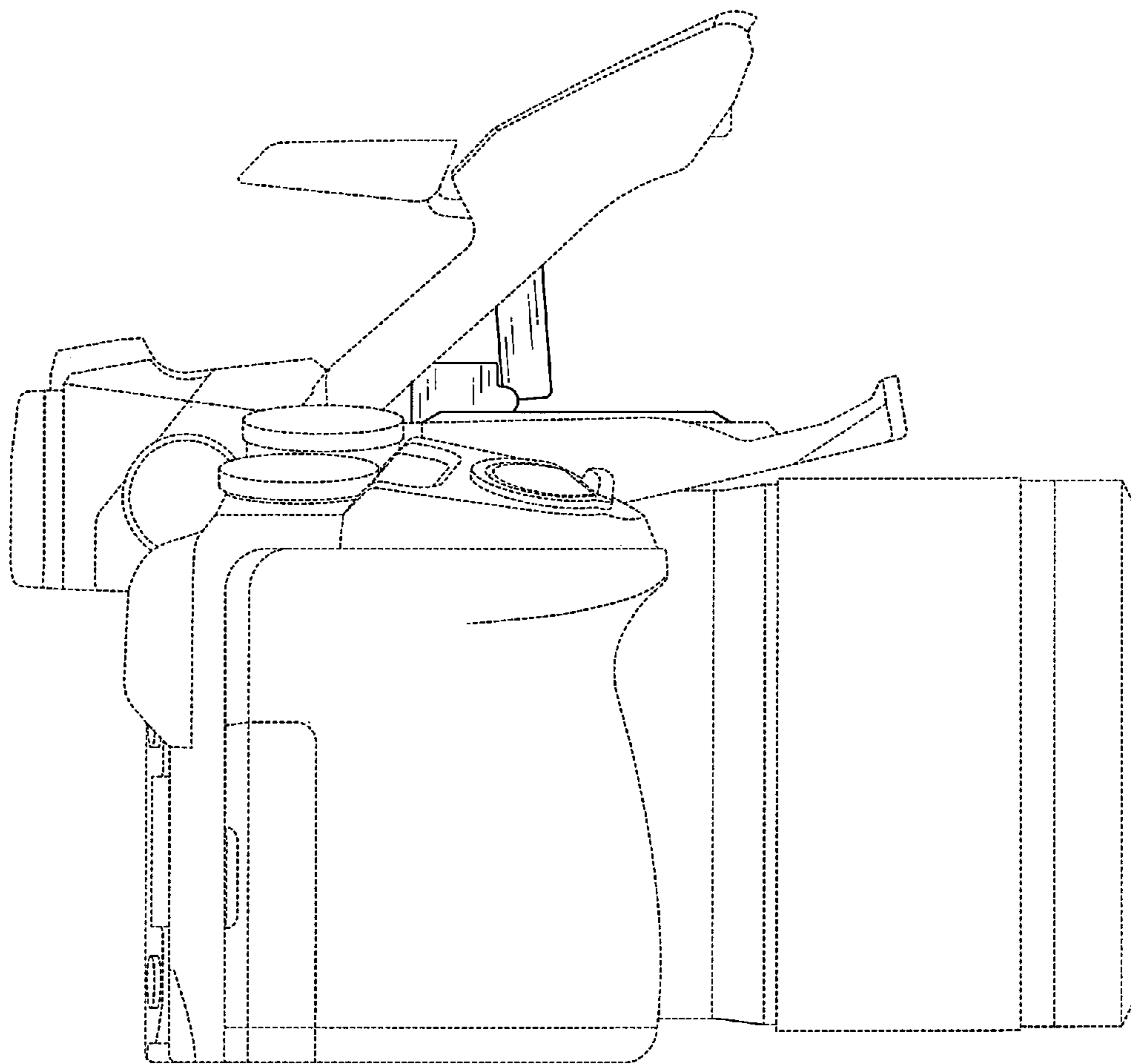
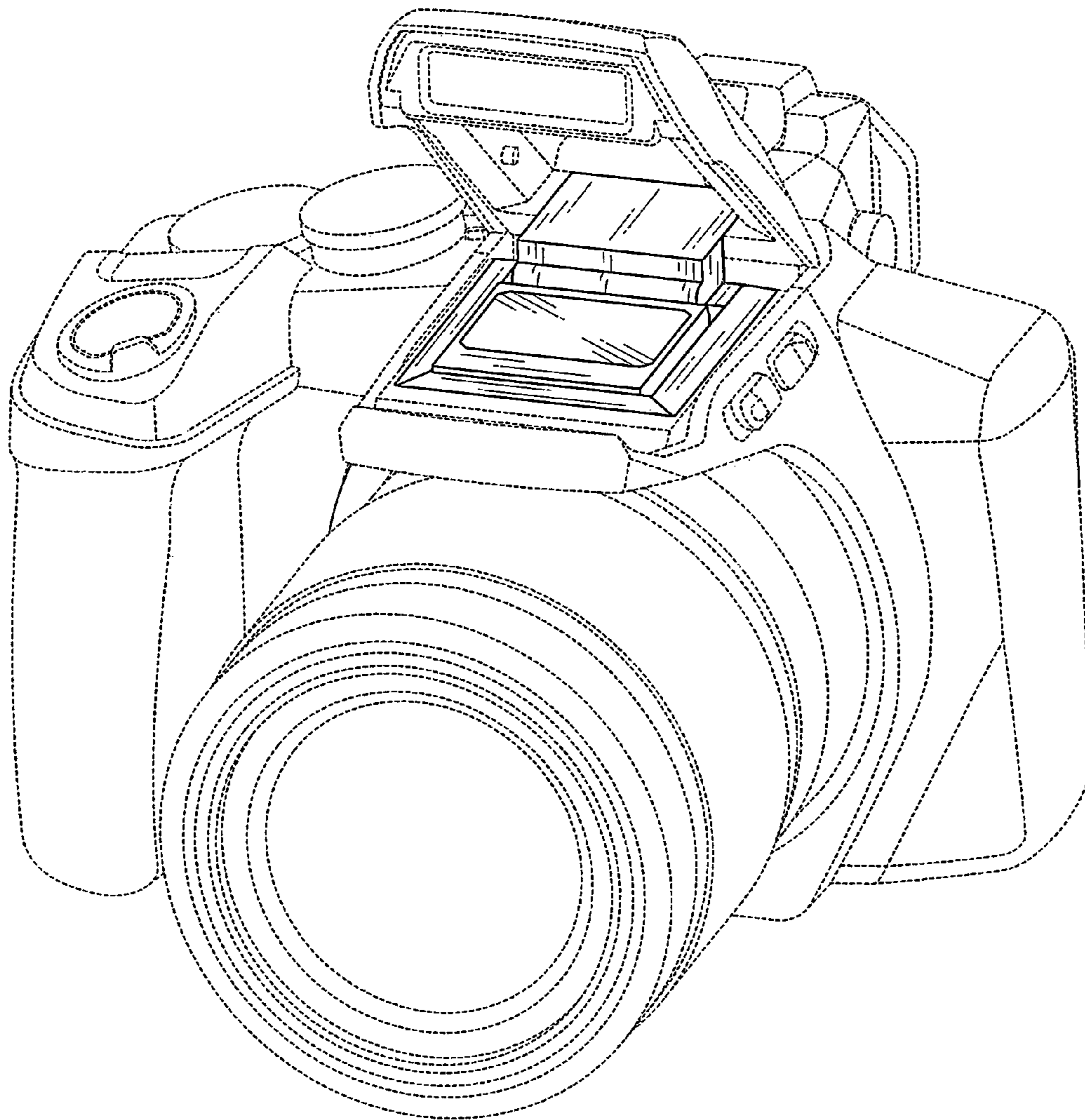


FIG.7





**FIG.8**



**FIG.9**

