



US00D733781S

(12) **United States Design Patent**
Chen

(10) **Patent No.:** **US D733,781 S**
(45) **Date of Patent:** **** Jul. 7, 2015**

(54) **IP CAMERA**

(56) **References Cited**

(71) Applicant: **Sercomm Corporation**, Taipei (TW)
(72) Inventor: **Chia-An Chen**, New Taipei (TW)
(73) Assignee: **SERCOMM CORPORATION**, Taipei (TW)

U.S. PATENT DOCUMENTS

D396,869 S *	8/1998	Yamakawa et al.	D16/202
D447,758 S *	9/2001	Lin et al.	D16/202
D558,250 S *	12/2007	Hsia	D16/203
D575,316 S *	8/2008	Liu et al.	D16/202
7,736,071 B2 *	6/2010	Wahl et al.	396/419
D636,424 S *	4/2011	Lin	D16/203
D649,573 S *	11/2011	Al	D16/203
D651,633 S *	1/2012	Park et al.	D16/203
D680,151 S *	4/2013	Katori	D16/242
D697,119 S *	1/2014	Park et al.	D16/203

(**) Term: **14 Years**

* cited by examiner

(21) Appl. No.: **29/480,446**

Primary Examiner — Adir Aronovich
Assistant Examiner — Ramzi Almatrahi

(22) Filed: **Jan. 27, 2014**

(74) *Attorney, Agent, or Firm* — McClure, Qualey & Rodack, LLP

(51) **LOC (10) Cl.** **16-01**

(52) **U.S. Cl.**
USPC **D16/202; D16/207**

(57) **CLAIM**

The ornamental design for an IP camera, as shown and described.

(58) **Field of Classification Search**

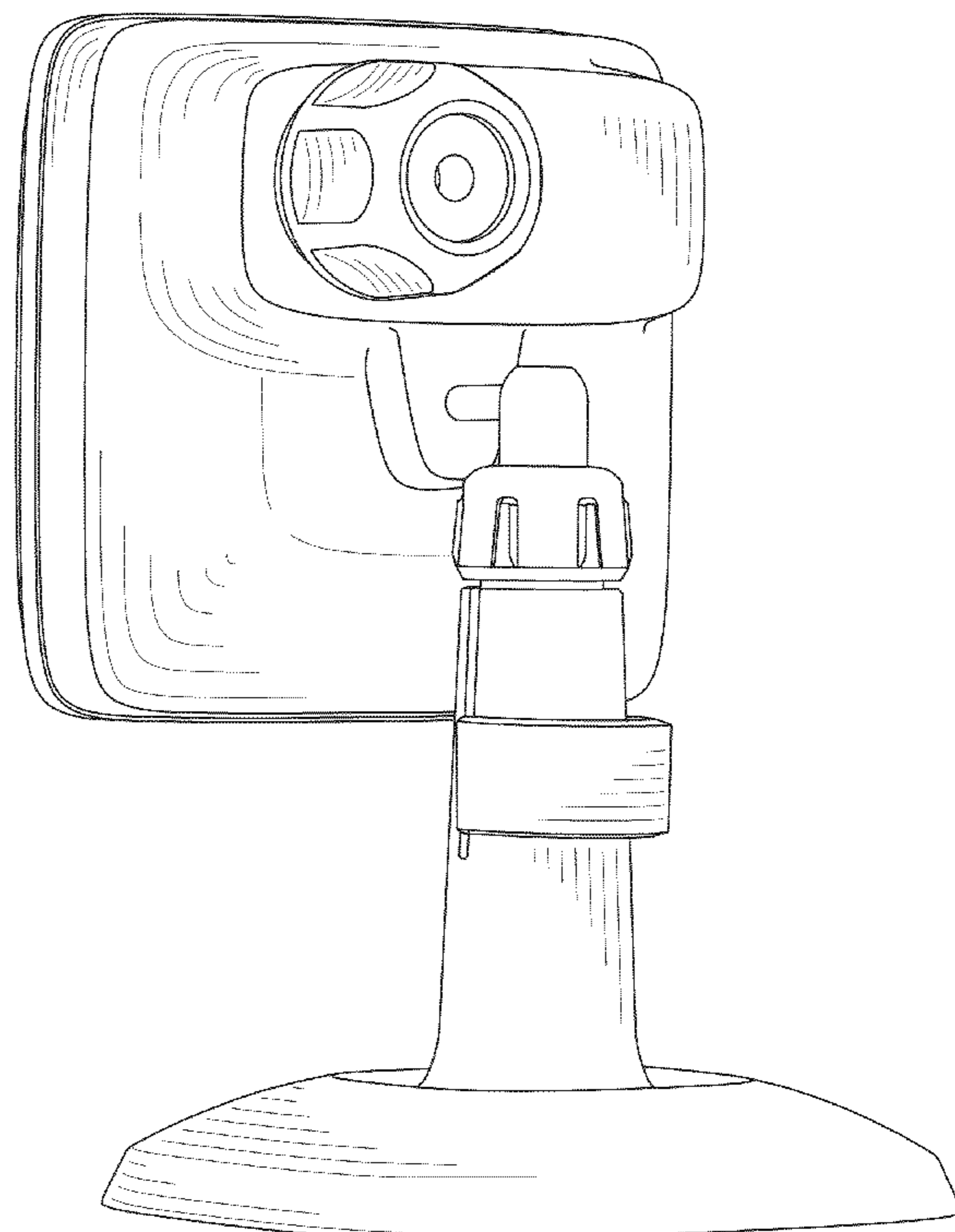
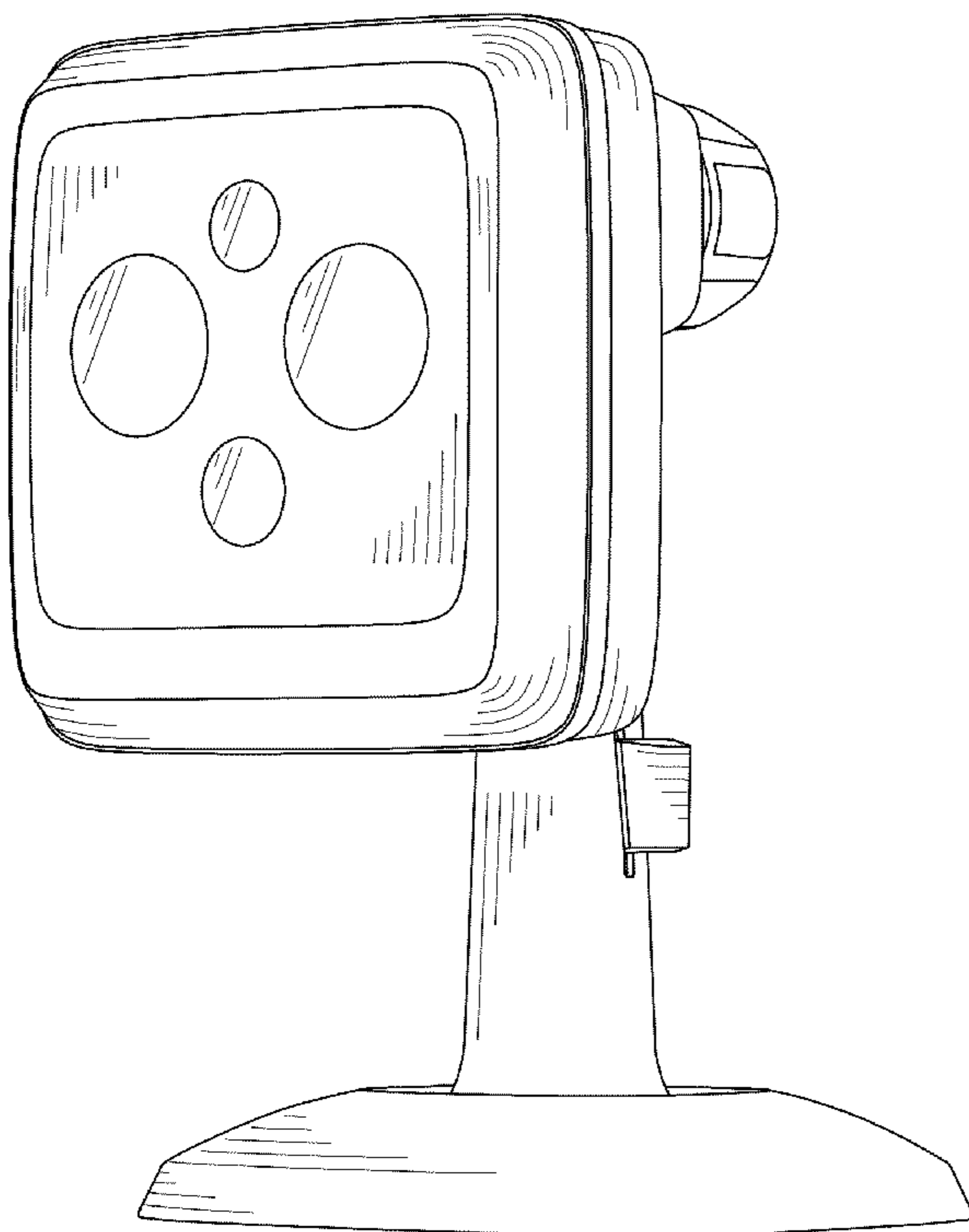
DESCRIPTION

USPC D16/200, 202–205, 208, 218, 219, 242;
348/14.01–14.06, 143, 148, 373–376;
396/419, 427, 535, 539–541
CPC G03B 17/02; G03B 19/04; G03B 17/56;
G03B 17/04; G03B 15/03; H04N 5/2251;
H04N 5/2252; H04N 5/2253; H04N 5/2254;
H04N 2007/145; H04N 7/141; H04N 7/142;
H04N 7/147; H04N 7/148; H04N 7/15;
H04N 7/152

FIG. 1 is a front perspective view of an IP camera showing my new design;
FIG. 2 is a rear perspective view thereof;
FIG. 3 is a front elevational view thereof;
FIG. 4 is a rear elevational view thereof;
FIG. 5 is a left side elevational view thereof;
FIG. 6 is a right side elevational view thereof;
FIG. 7 is a top plan view thereof; and,
FIG. 8 is a bottom plan view thereof.

See application file for complete search history.

1 Claim, 8 Drawing Sheets



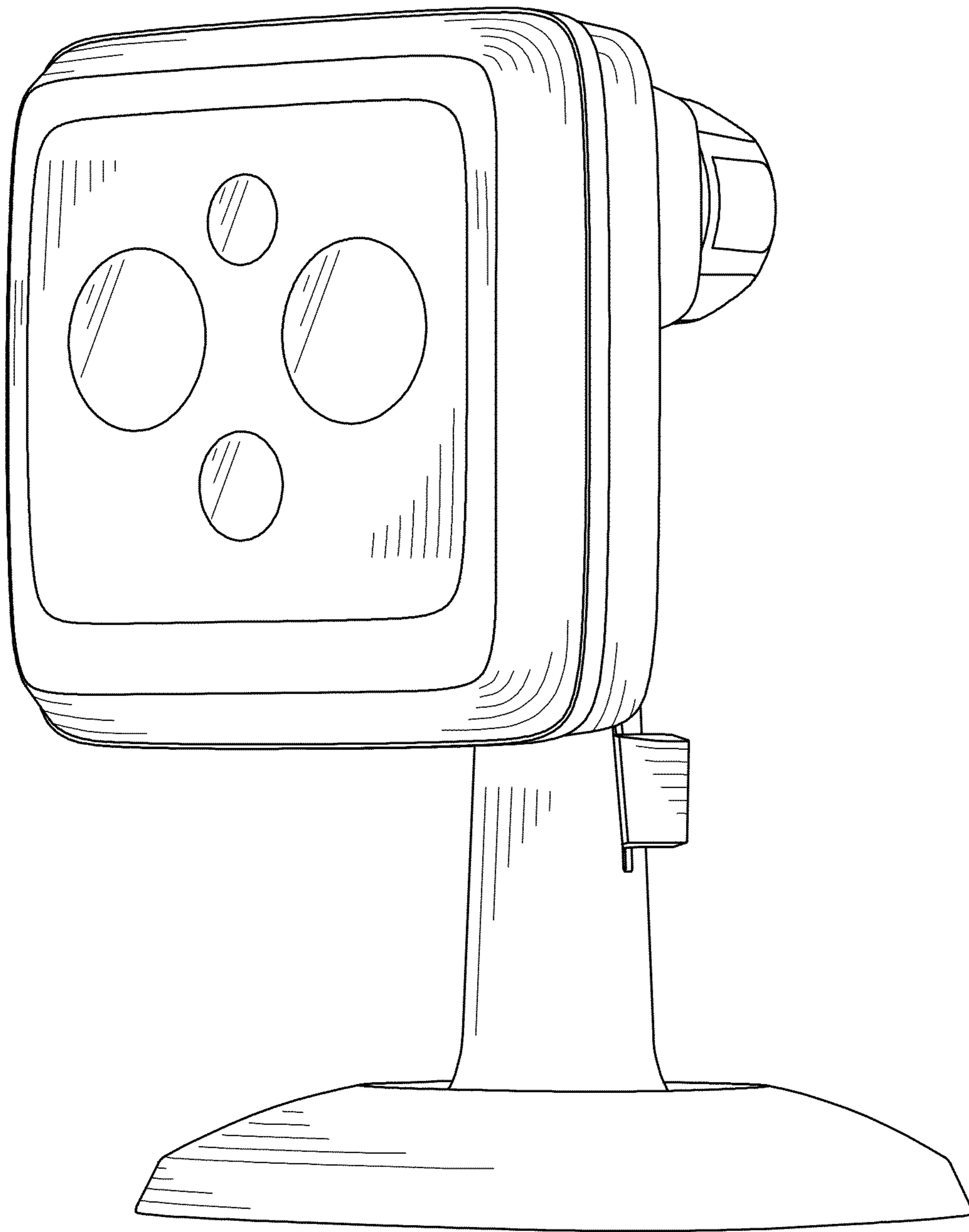


FIG. 1

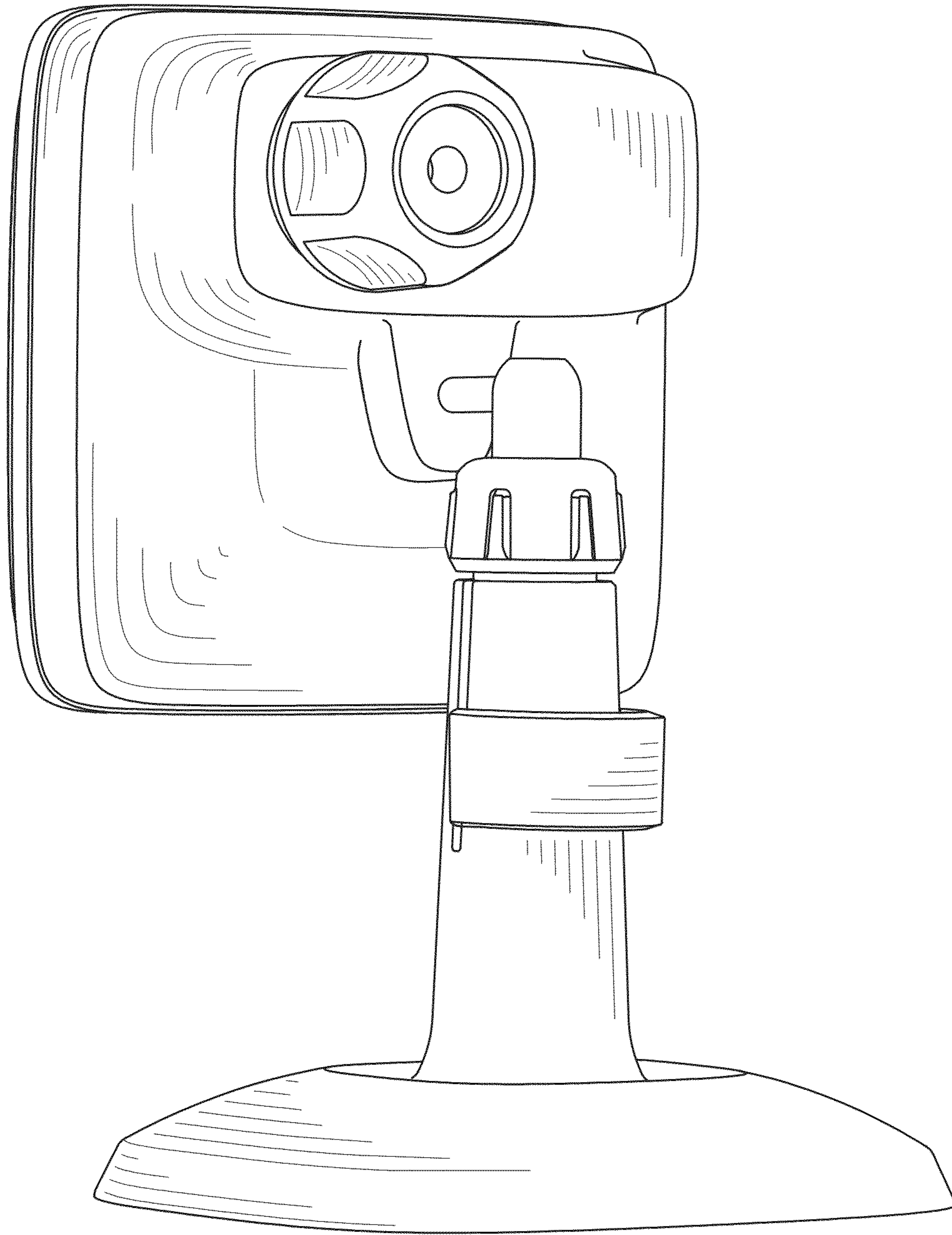


FIG. 2

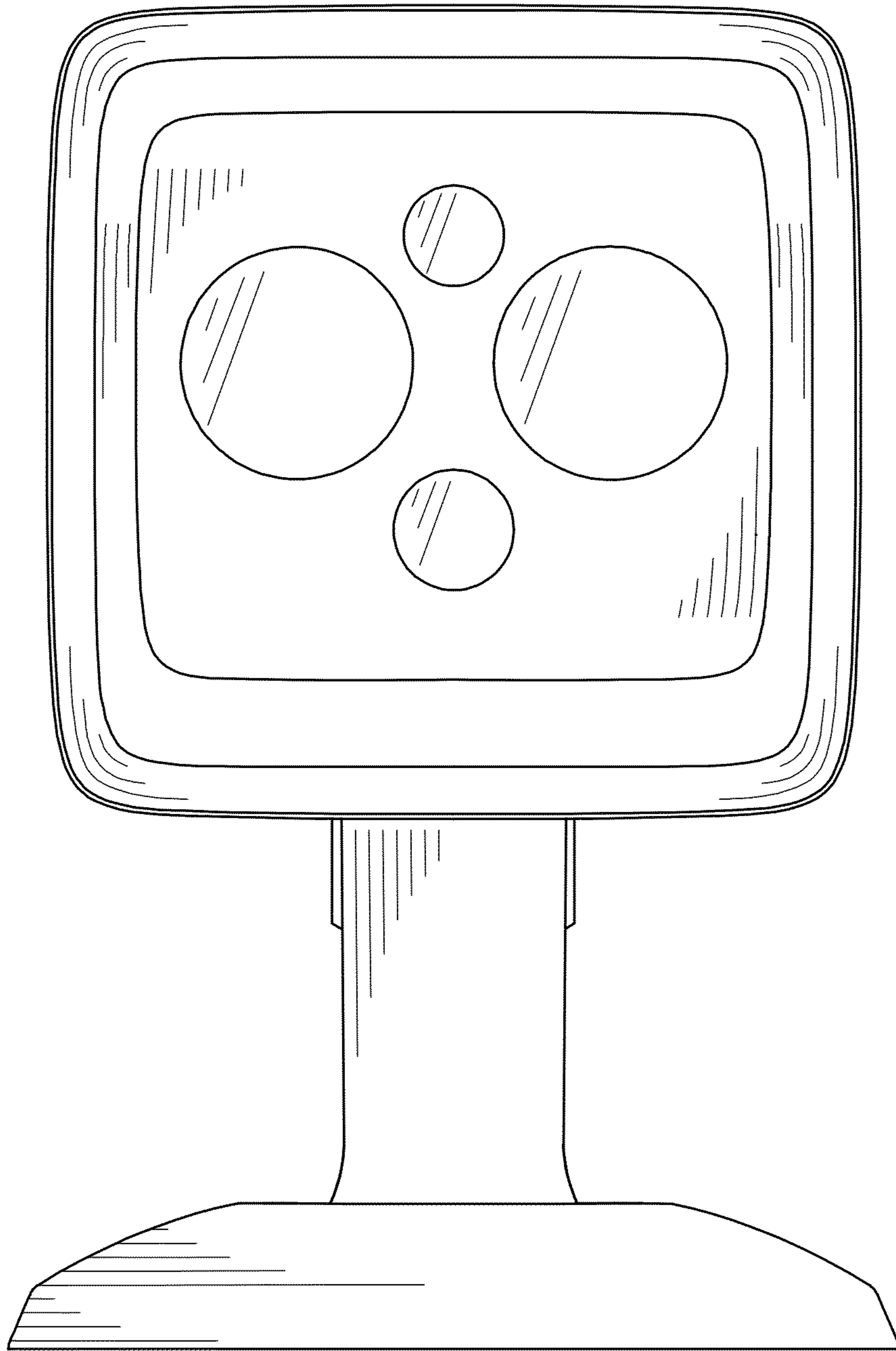


FIG. 3

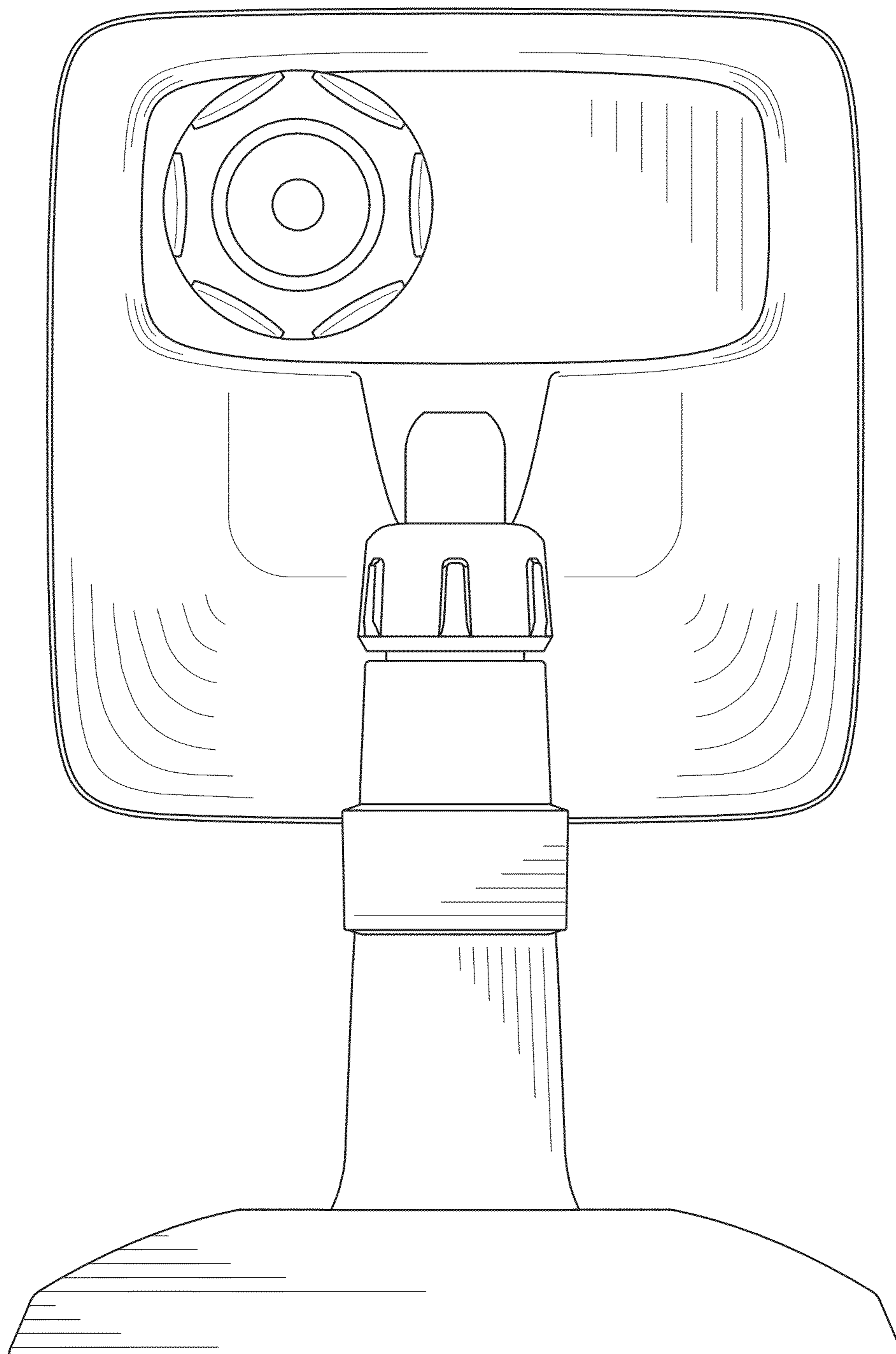


FIG. 4

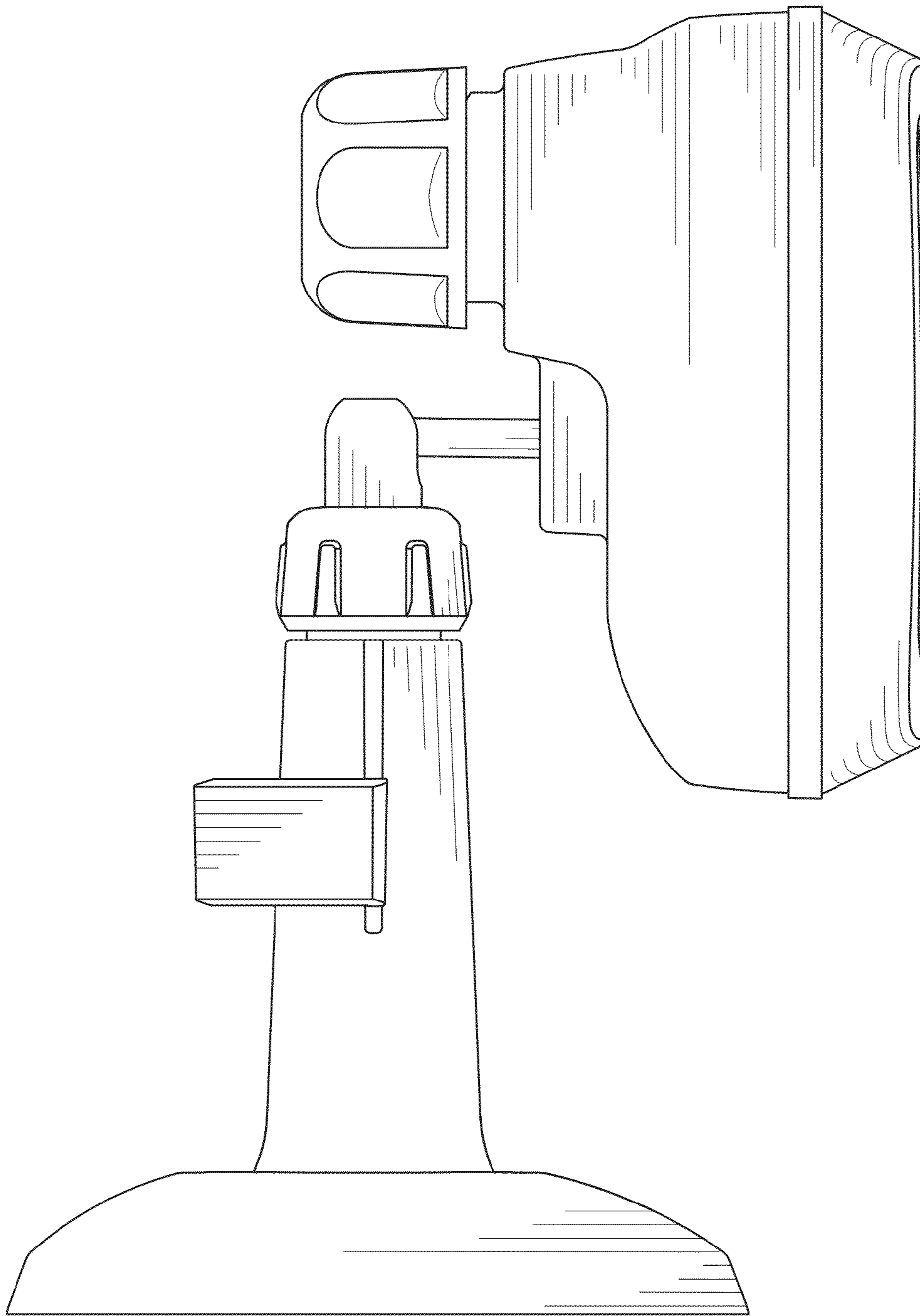


FIG. 5

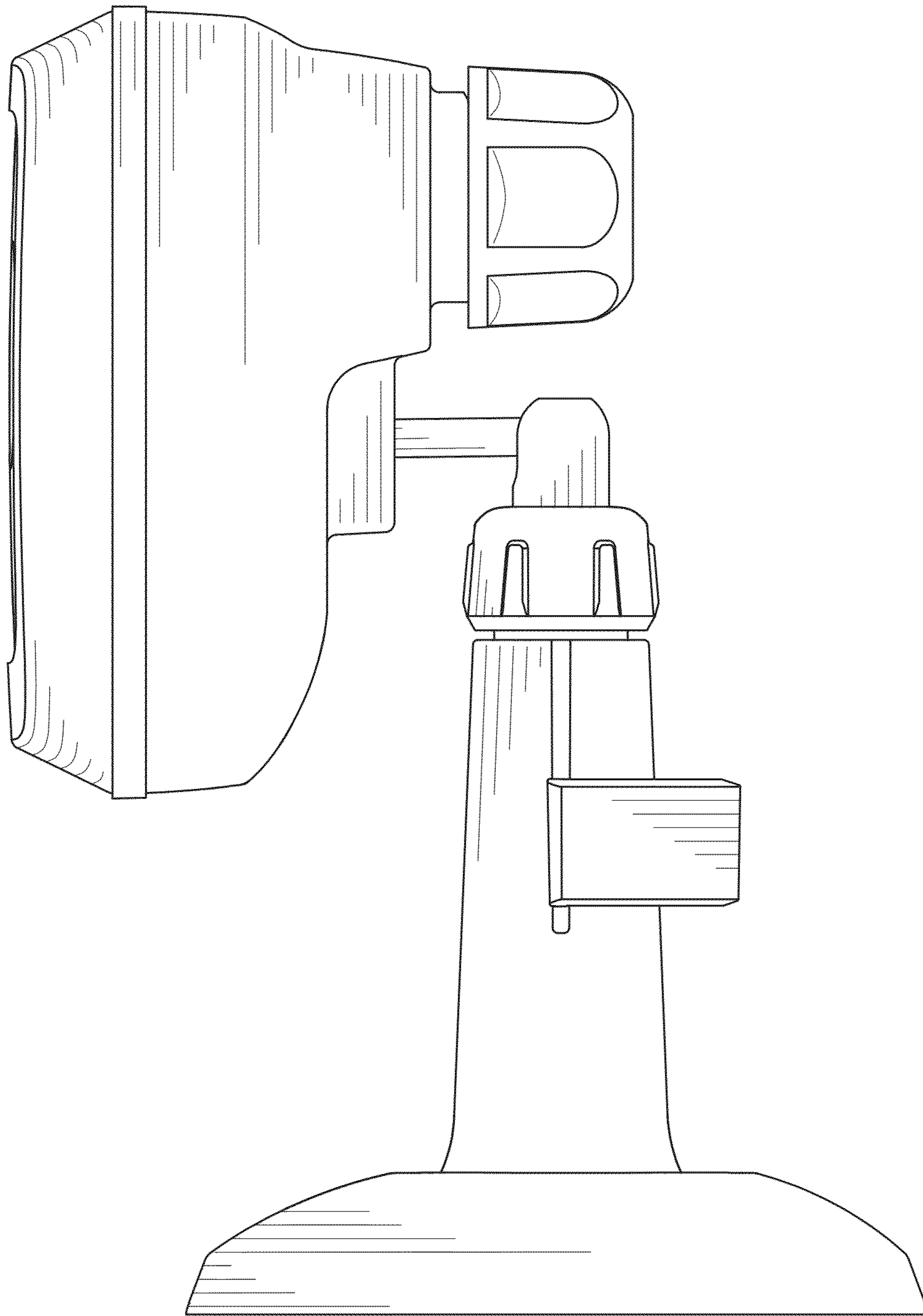


FIG. 6

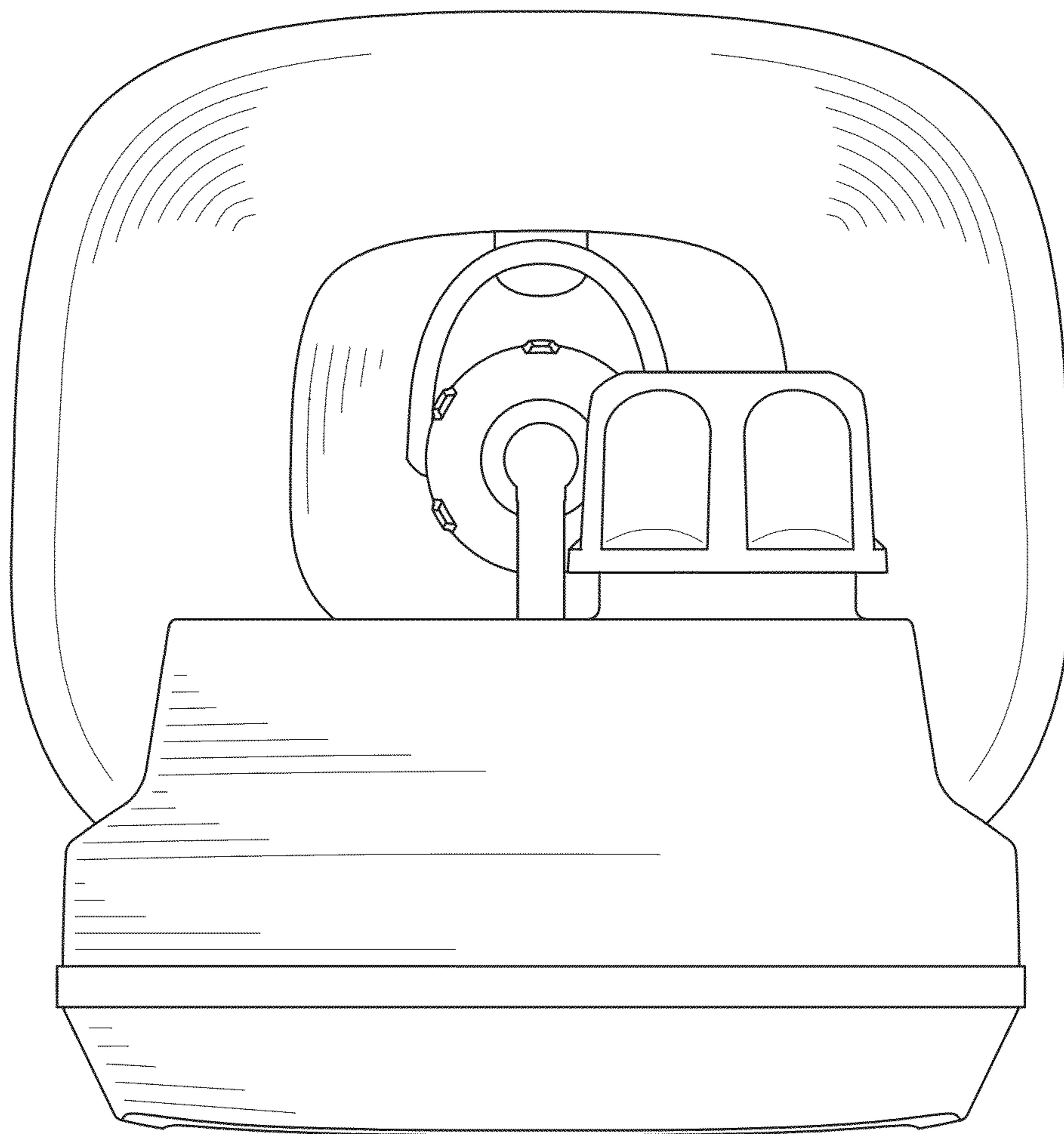


FIG. 7

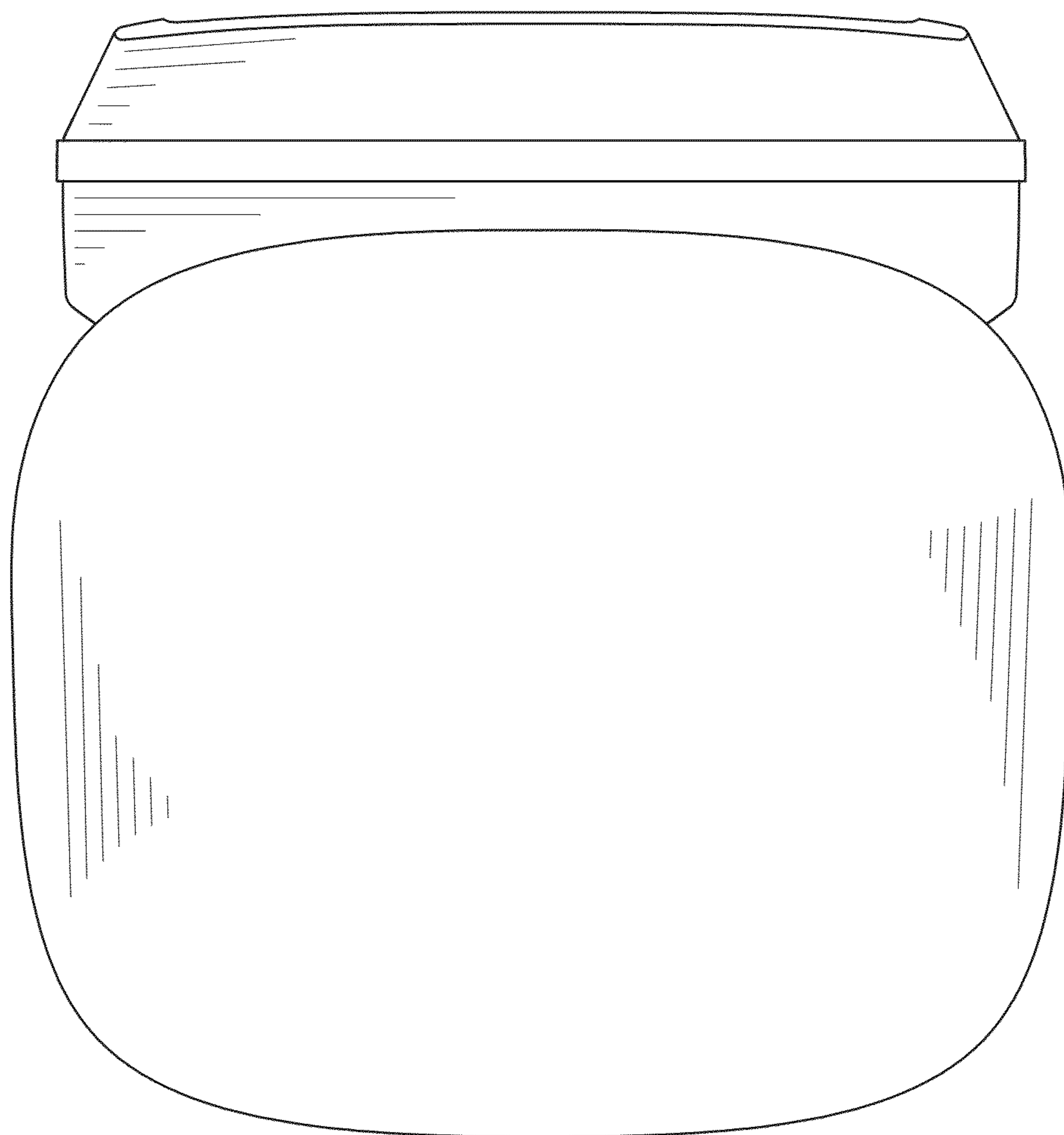


FIG. 8