



US00D733779S

(12) **United States Design Patent**
Ebner

(10) **Patent No.:** **US D733,779 S**

(45) **Date of Patent:** **** Jul. 7, 2015**

(54) **HOUSING FOR DRIVES**

(71) Applicant: **Wittenstein AG**, Igersheim (DE)

(72) Inventor: **Siegfried Ebner**, Zell am See (AT)

(73) Assignee: **Wittenstein AG**, Igersheim (DE)

(**) Term: **14 Years**

(21) Appl. No.: **29/456,170**

(22) Filed: **May 29, 2013**

(51) **LOC (10) Cl.** **15-09**

(52) **U.S. Cl.**
USPC **D15/148**

(58) **Field of Classification Search**
USPC D15/148, 149
See application file for complete search history.

(56) **References Cited**

U.S. PATENT DOCUMENTS

D237,900	S	*	12/1975	Stroup	D15/149
D262,032	S	*	11/1981	Totsu	D15/138
5,662,545	A	*	9/1997	Zimmerman et al.	475/344
6,432,022	B1	*	8/2002	Bayer	475/331
D529,939	S	*	10/2006	Wilhelm et al.	D15/148
7,182,709	B2	*	2/2007	Christ et al.	475/348
D597,573	S	*	8/2009	Lin et al.	D15/149
D598,938	S	*	8/2009	Mijno	D15/148
D618,263	S	*	6/2010	Siegfried	D15/148
D638,454	S	*	5/2011	Torii et al.	D15/143
D639,321	S	*	6/2011	Torii et al.	D15/143
D673,196	S	*	12/2012	von Hafen	D15/148
D673,197	S	*	12/2012	von Hafen	D15/148
D681,706	S	*	5/2013	Savill, Jr.	D15/144
D682,902	S	*	5/2013	Tanaka et al.	D15/149
D703,253	S	*	4/2014	Lannoch	D15/148
D704,756	S	*	5/2014	Voelker	D15/148
2002/0017160	A1	*	2/2002	Kiyosawa et al.	74/640
2002/0026852	A1	*	3/2002	Kiyosawa et al.	74/640
2004/0074327	A1	*	4/2004	Huber et al.	74/431
2009/0069145	A1	*	3/2009	Wang	475/344
2010/0060091	A1	*	3/2010	Nordgren	310/80
2013/0269305	A1	*	10/2013	Wang et al.	56/14.7

* cited by examiner

Primary Examiner — Patricia Palasik

(74) *Attorney, Agent, or Firm* — Bachman & LaPointe, P.C.

(57) **CLAIM**

The ornamental design for a housing for drives, as shown and described.

DESCRIPTION

FIG. 1 is a right side view of the ornamental design in accordance with the present invention.

FIG. 2 is a top view of the ornamental design of the present invention.

FIG. 3 is a left side view of the ornamental design of the present invention.

FIG. 4 is a rear view of the ornamental design of the present invention.

FIG. 5 is a front view of the ornamental design of the present invention.

FIG. 6 is a back view of the ornamental design of the present invention.

FIG. 7 is a left side perspective view of the ornamental design of the present invention.

FIG. 8 is a right side perspective view of the ornamental design of the present invention.

FIG. 9 is a right side view of the ornamental design of a second embodiment of the present invention.

FIG. 10 is a top view of the ornamental design of a second embodiment of the present invention.

FIG. 11 is a left side view of the ornamental design of a second embodiment of the present invention.

FIG. 12 is a rear view of the ornamental design of a second embodiment of the present invention.

FIG. 13 is a front view of the ornamental design of a second embodiment of the present invention.

FIG. 14 is a back view of the ornamental design of a second embodiment of the present invention.

FIG. 15 is a left side perspective view of the ornamental design of a second embodiment of the present invention; and,

FIG. 16 is a right side perspective view of the ornamental design of a second embodiment of the present invention.

1 Claim, 16 Drawing Sheets

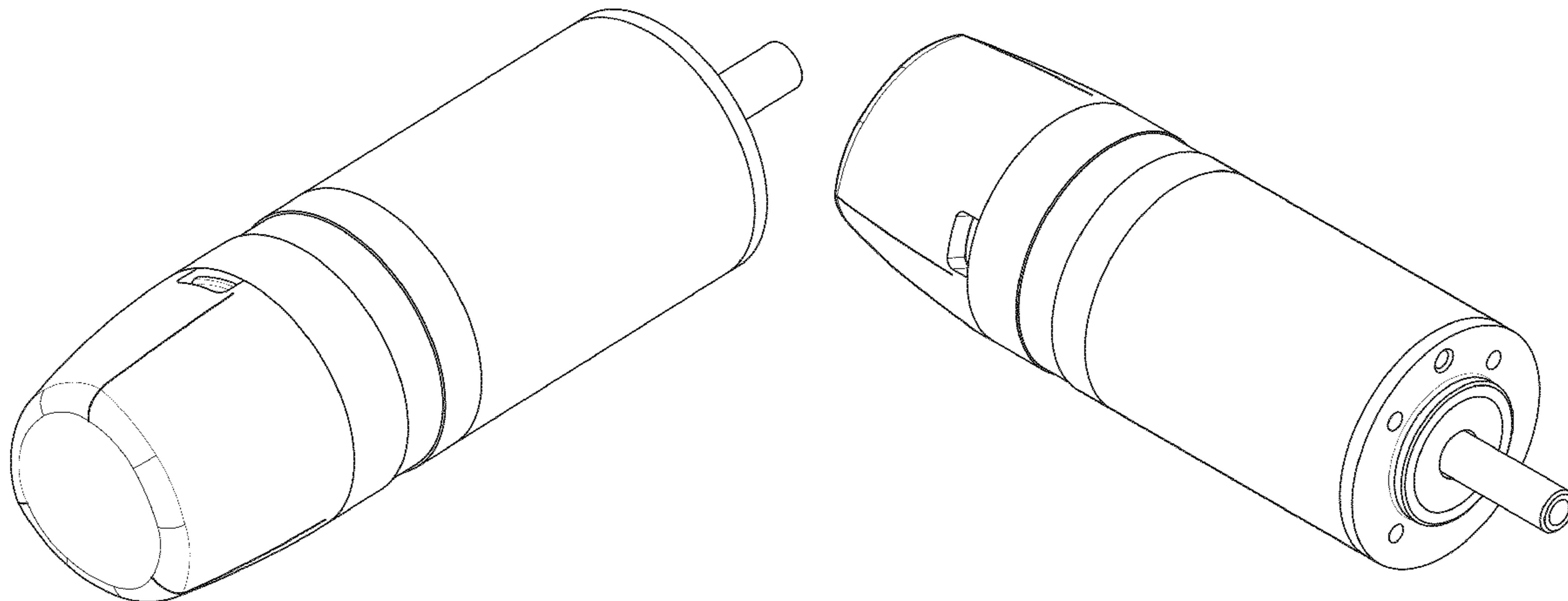




FIG. 1

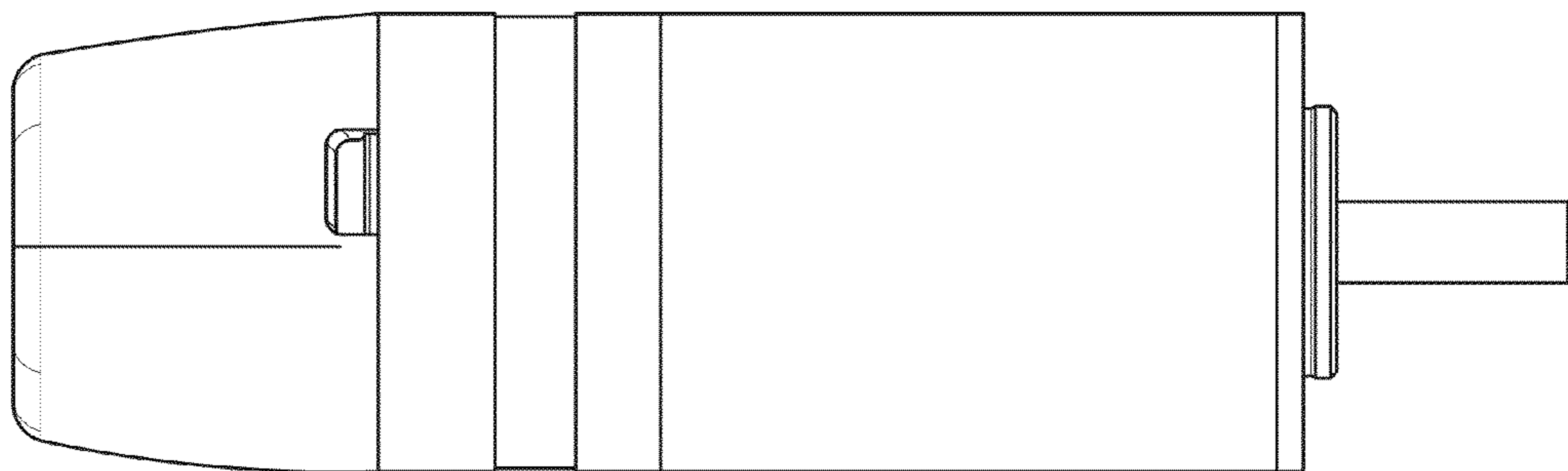


FIG. 2

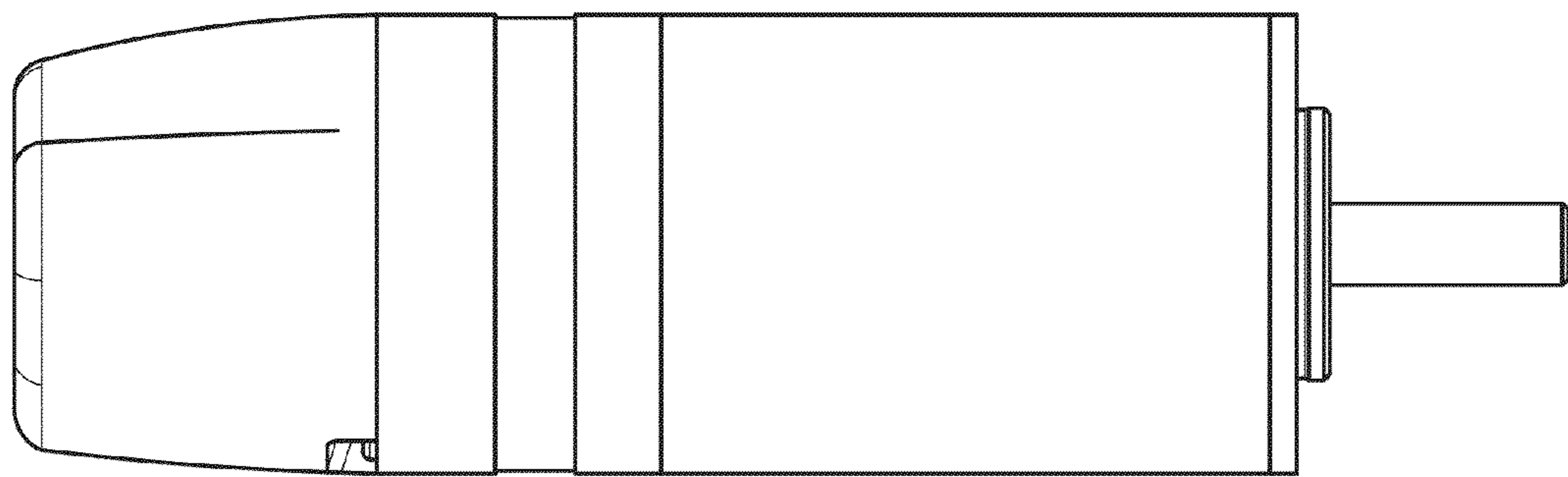


FIG. 3

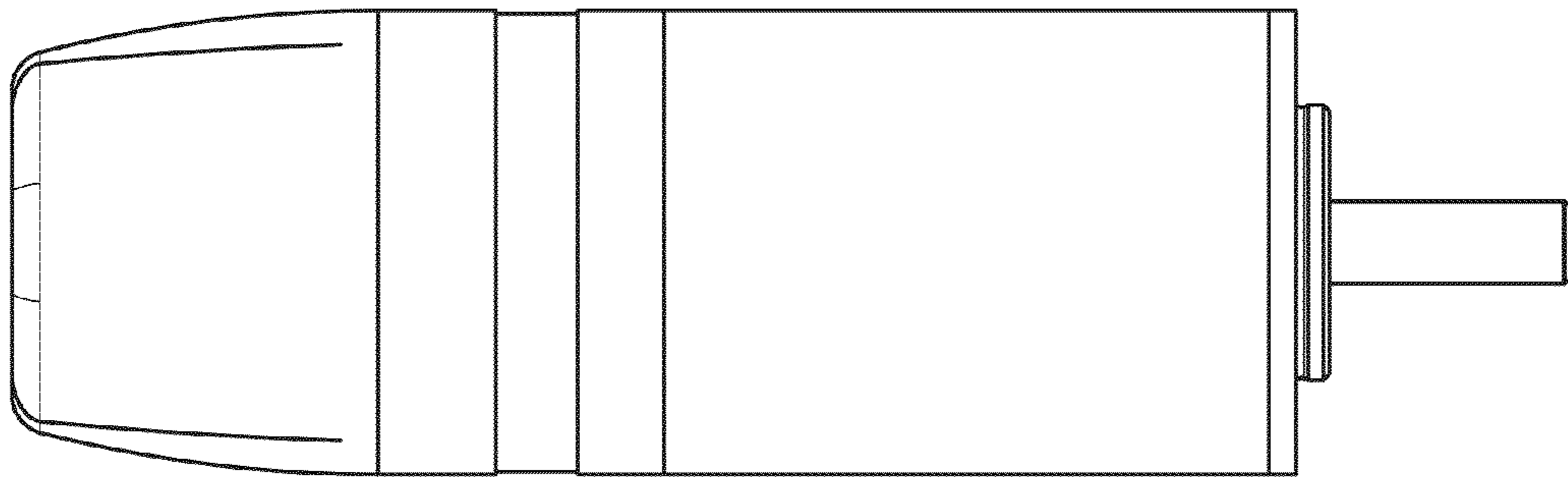


FIG. 4

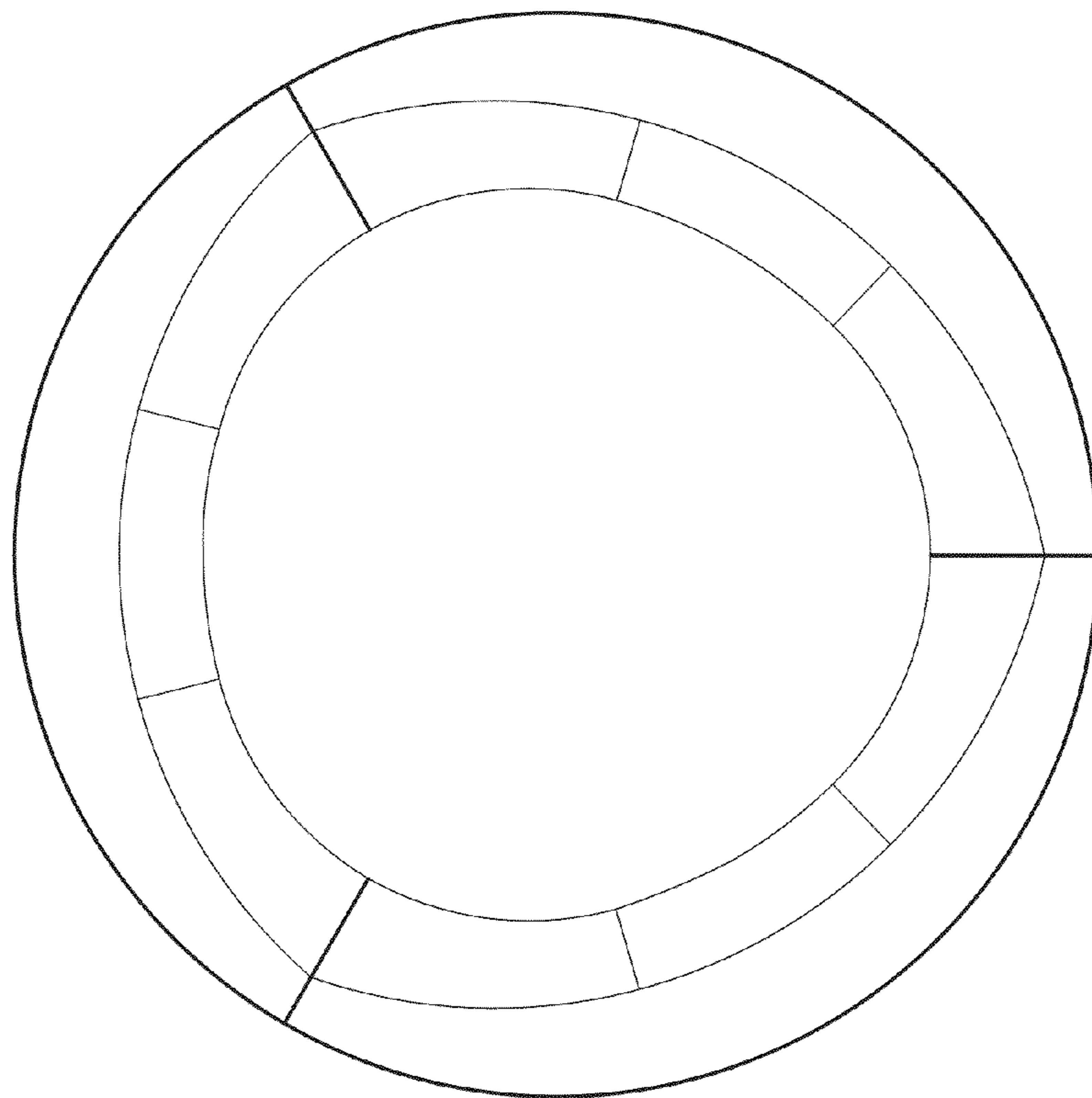


FIG. 5

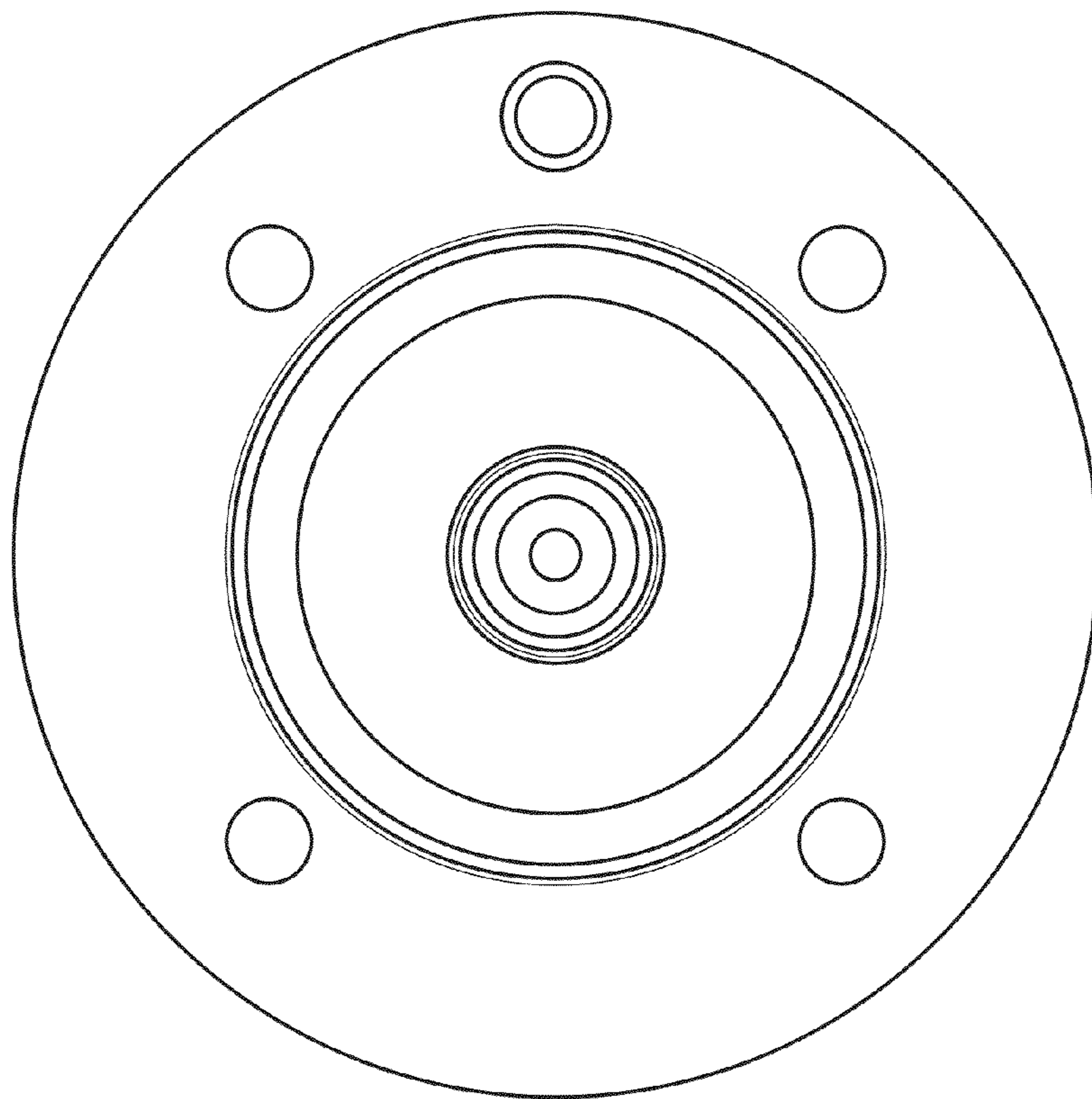


FIG. 6

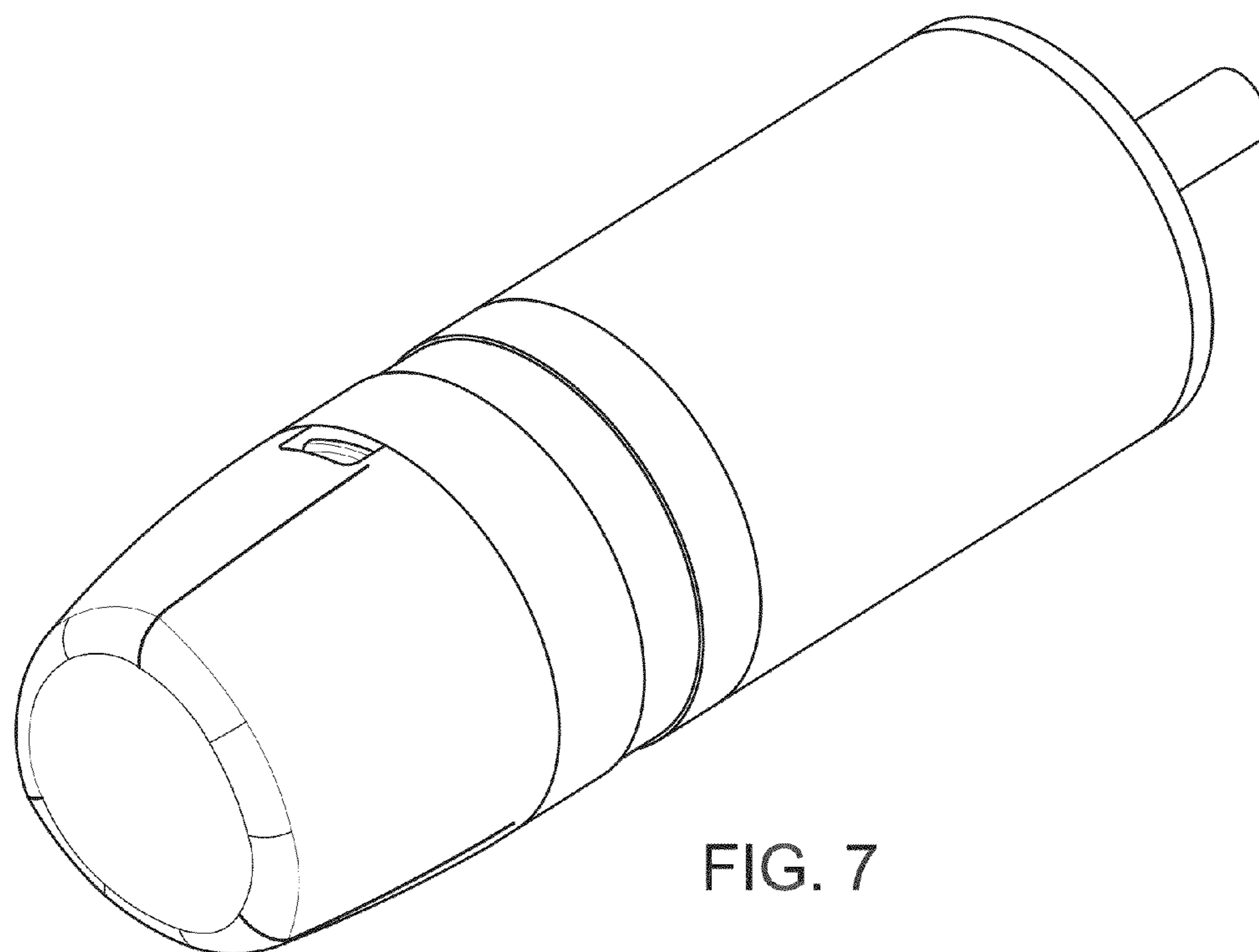


FIG. 7

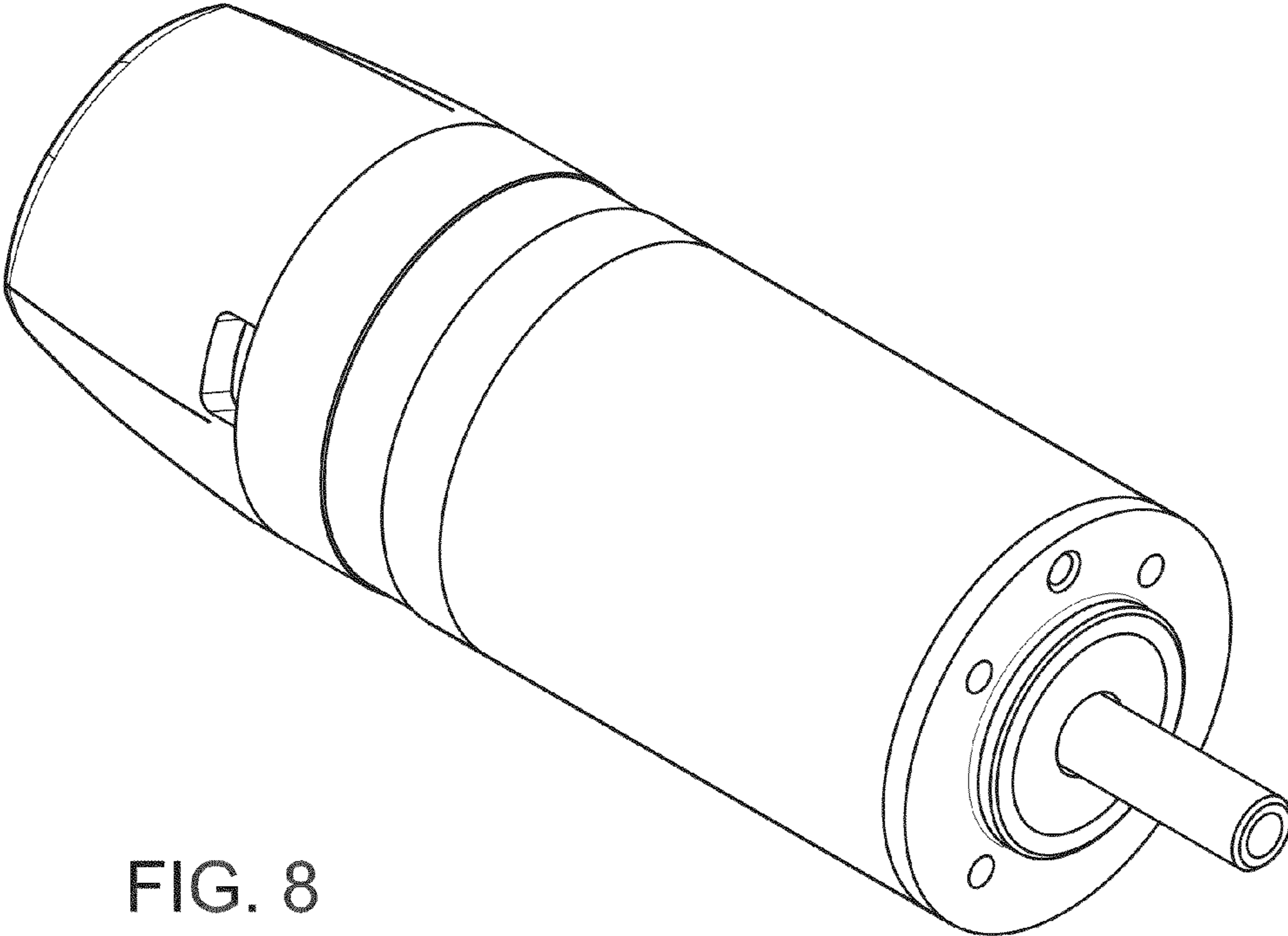


FIG. 8

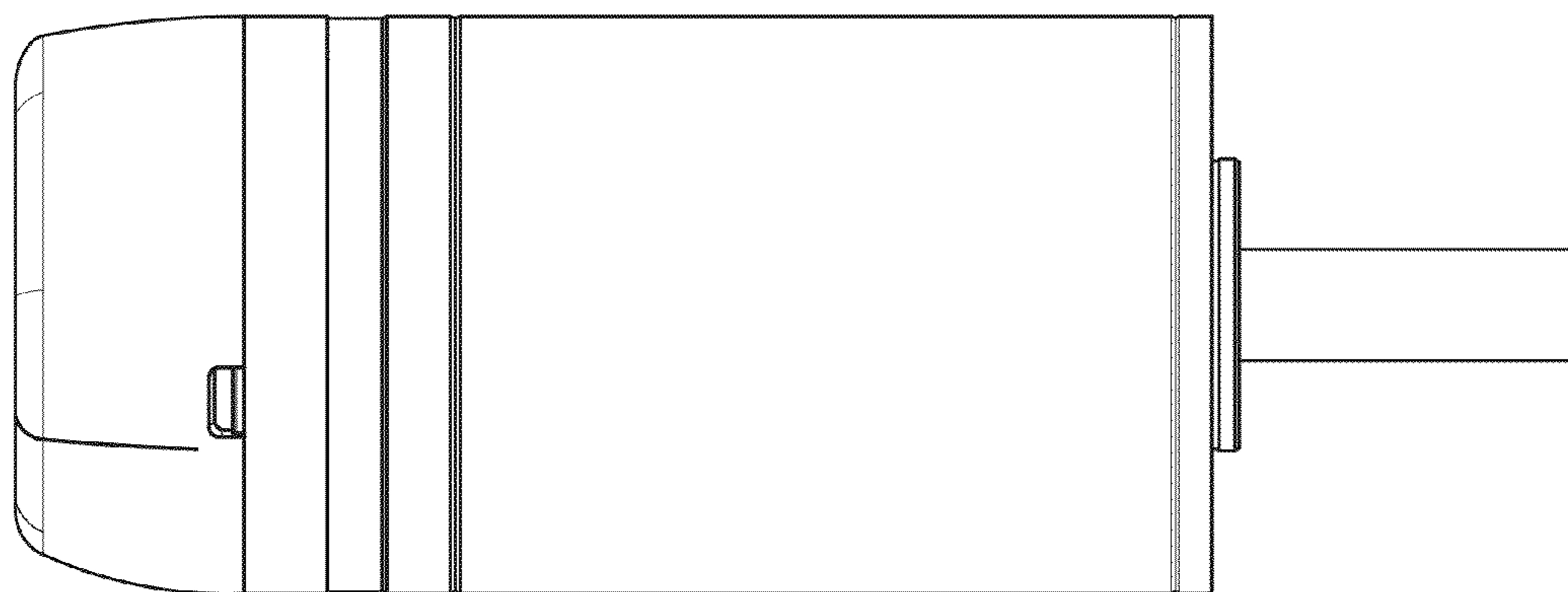


FIG. 9

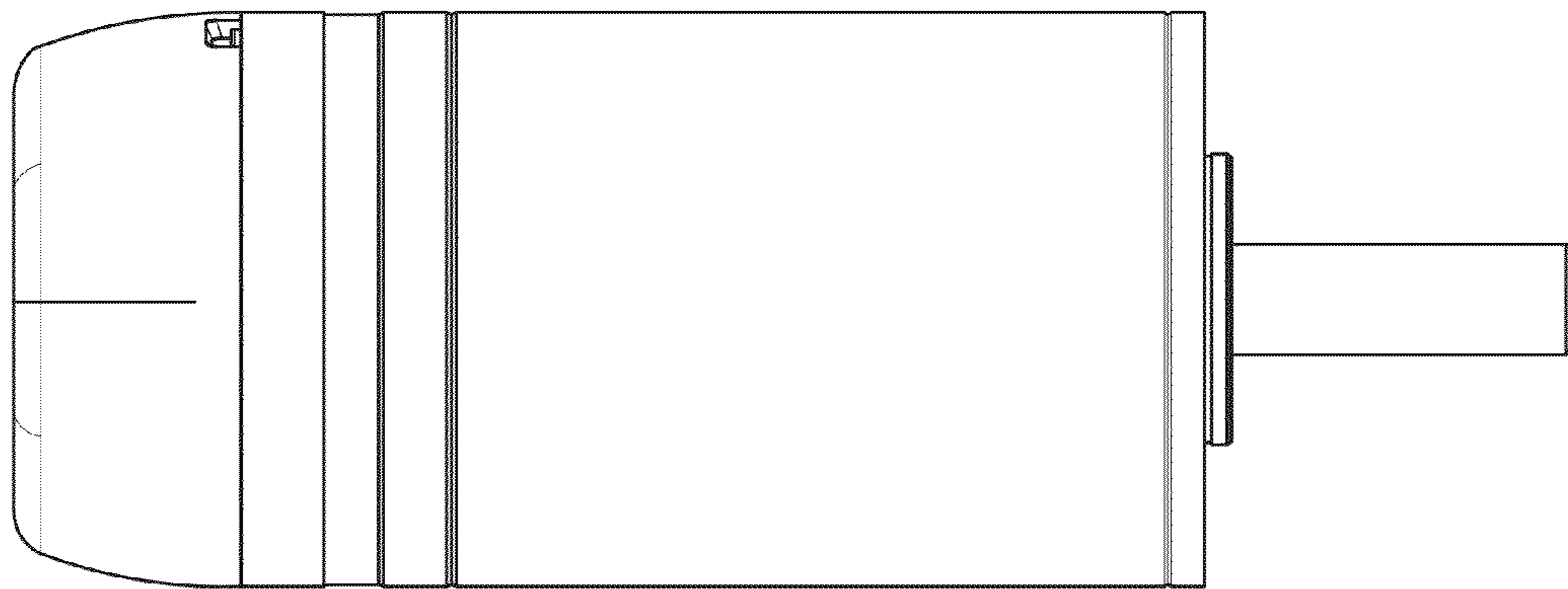


FIG. 10

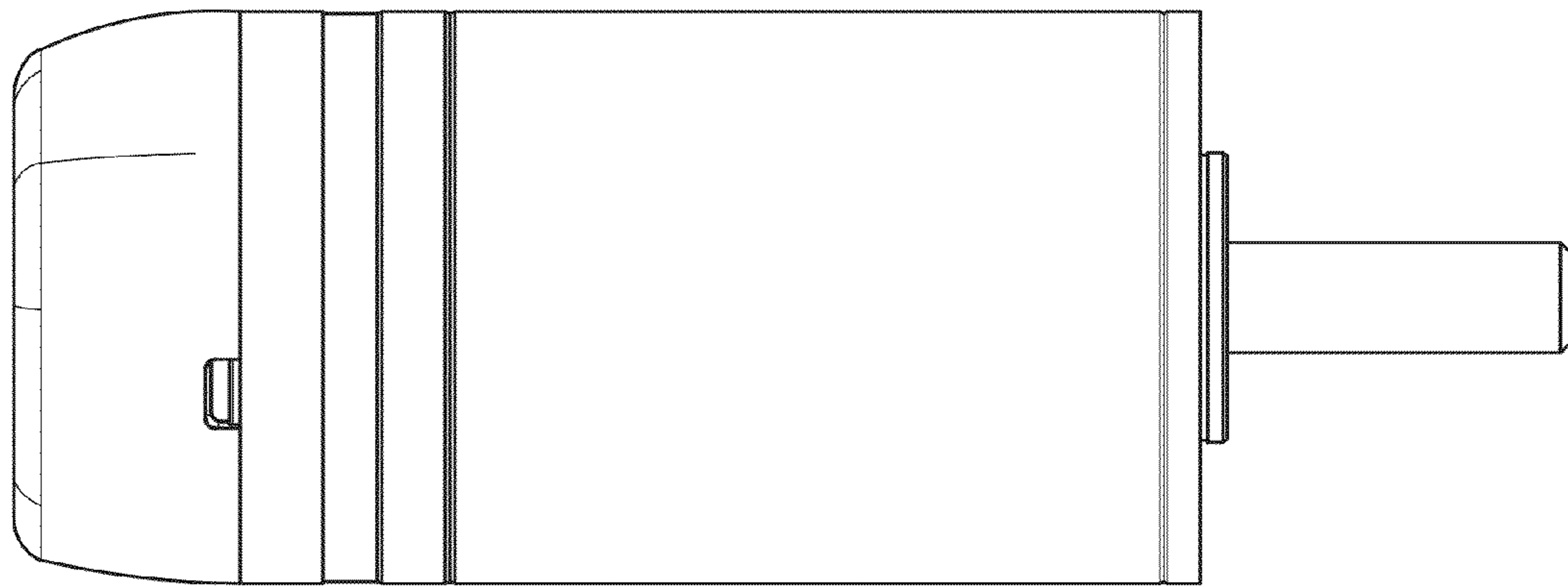


FIG. 11



FIG. 12

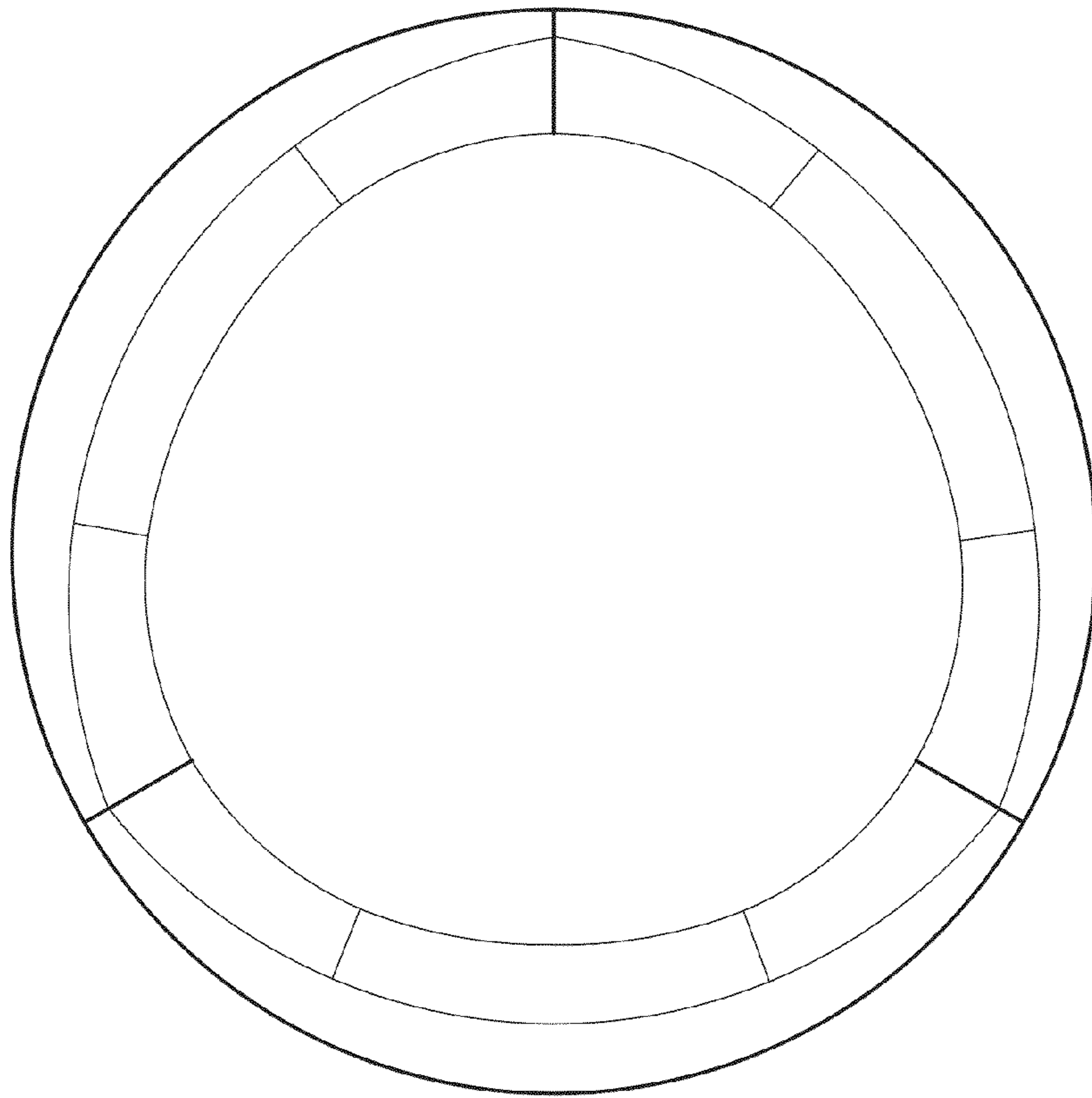


FIG. 13

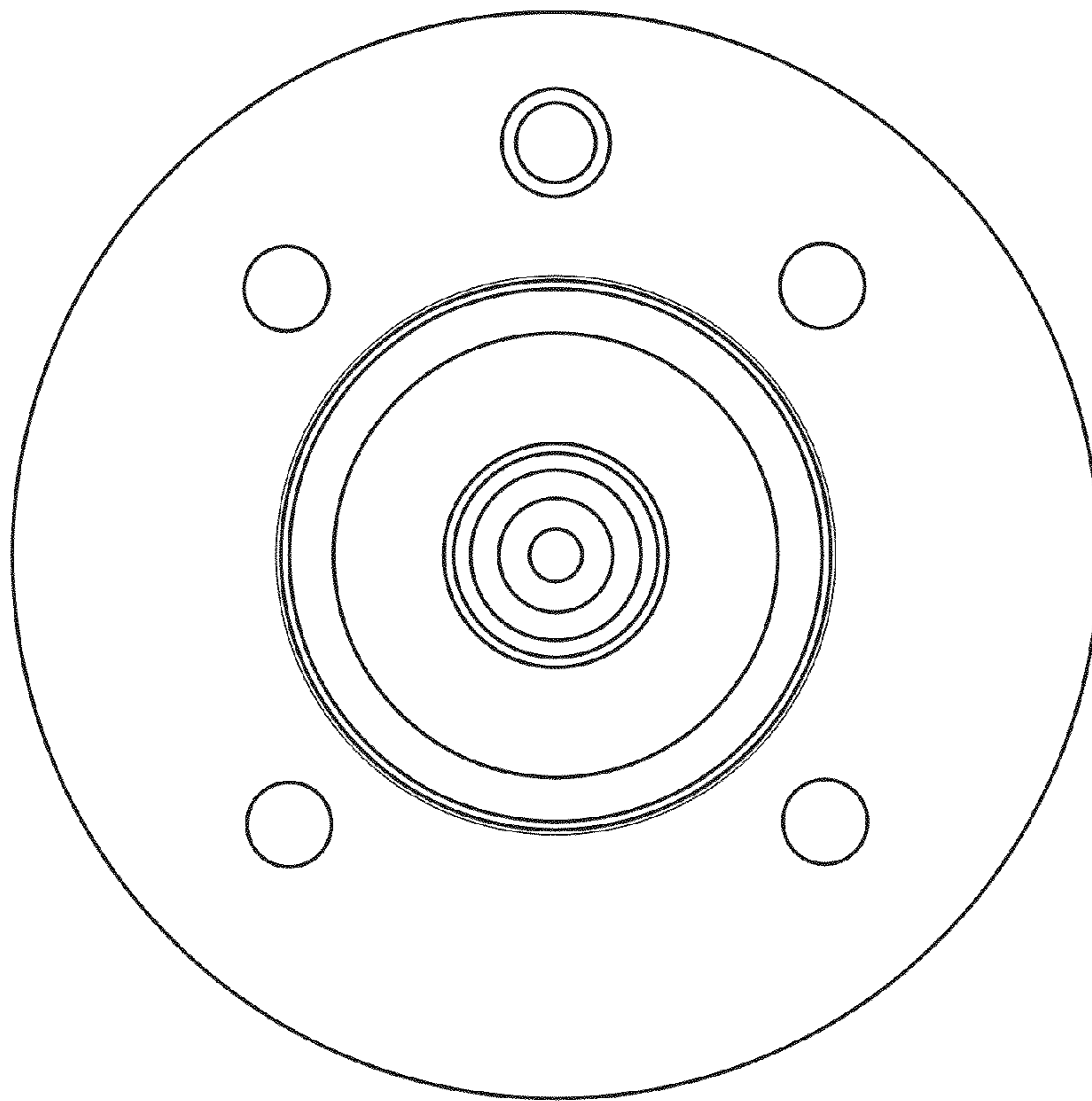


FIG. 14

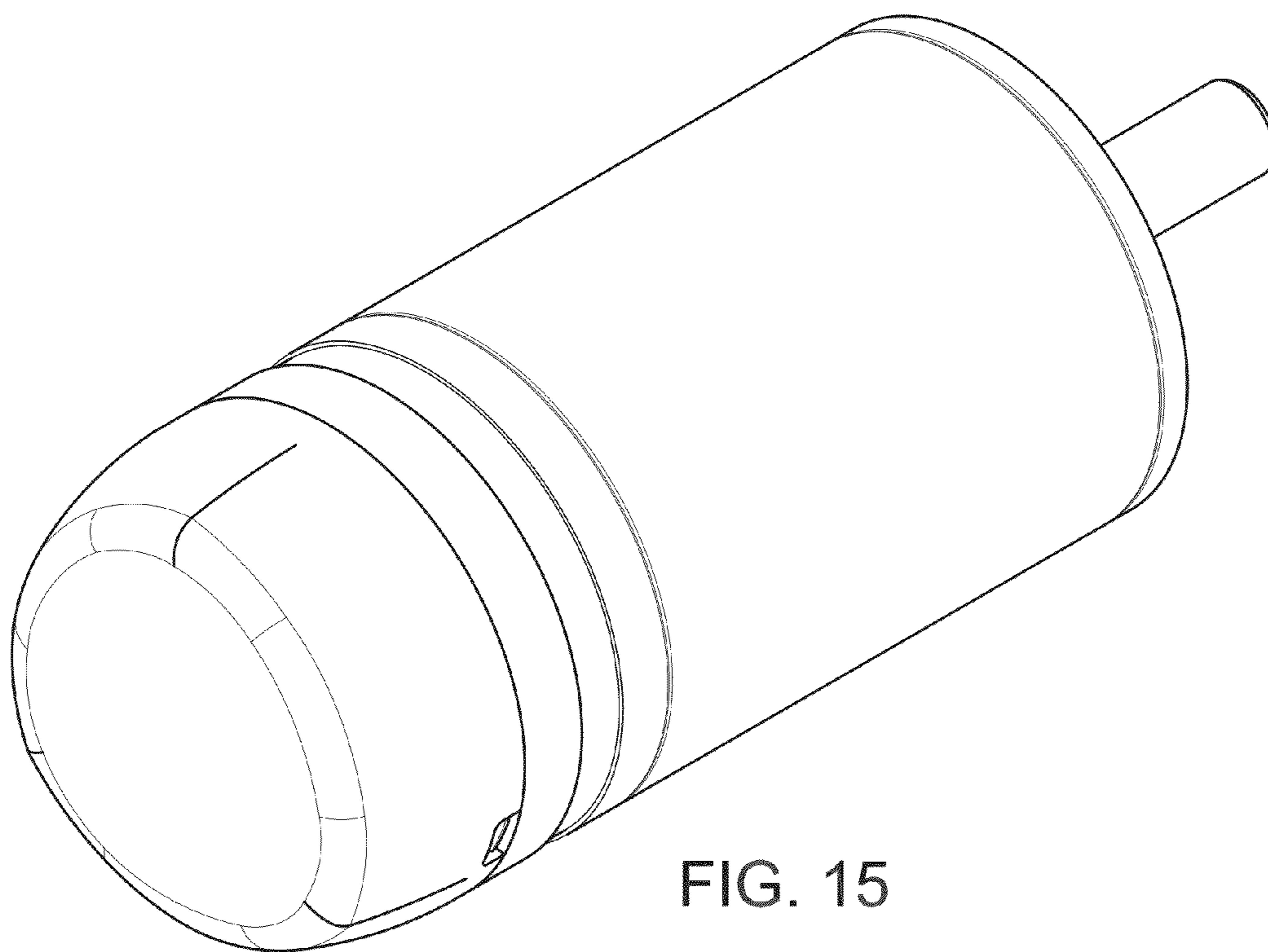


FIG. 15

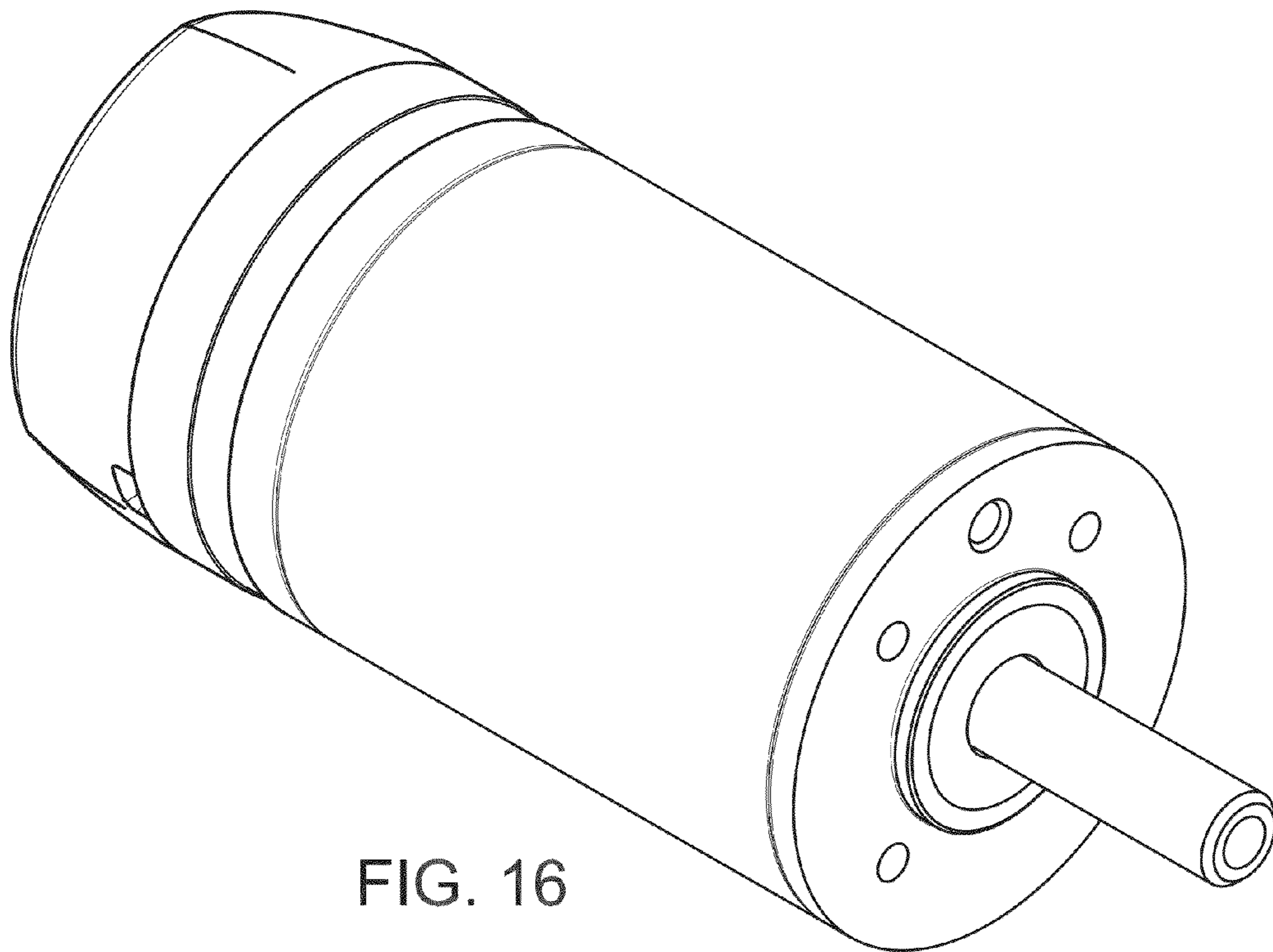


FIG. 16