



US00D733778S

(12) **United States Design Patent**  
**Savage**

(10) **Patent No.:** **US D733,778 S**  
(45) **Date of Patent:** **\*\* Jul. 7, 2015**

(54) **BAG SEALER DEVICE**

(71) Applicant: **HYGIENIC WASTE SOLUTIONS LTD.**, Chichester (GB)

(72) Inventor: **Ray Savage**, Chichester (GB)

(73) Assignee: **HYGIENIC WASTE SOLUTIONS LTD.**, Funtington, Chichester (GB)

(\*\*) Term: **14 Years**

(21) Appl. No.: **29/491,606**

(22) Filed: **May 22, 2014**

(30) **Foreign Application Priority Data**

Nov. 26, 2013 (GB) ..... 4033031

(51) **LOC (10) Cl.** ..... **15-99**

(52) **U.S. Cl.**  
USPC ..... **D15/146**

(58) **Field of Classification Search**  
USPC ..... D15/122, 145, 146; 53/167, 202, 203,  
53/266.1, 279, 284.5, 285, 370.7, 370.9,  
53/381.1, 426, 558, 563, 565; 100/8, 25,  
100/26, 29, 32; 493/184

See application file for complete search history.

(56) **References Cited**

U.S. PATENT DOCUMENTS

4,021,290	A	*	5/1977	Smith	.....	156/510
4,082,941	A	*	4/1978	Sukow et al.	.....	219/243
4,378,266	A	*	3/1983	Gerken	.....	156/359
D416,455	S	*	11/1999	Wai	.....	D8/51
D436,970	S	*	1/2001	Choi	.....	D15/136
D515,601	S	*	2/2006	Sholzberg et al.	.....	D15/146

\* cited by examiner

*Primary Examiner* — Patricia Palasik

(74) *Attorney, Agent, or Firm* — Fay Sharpe LLP

(57) **CLAIM**

The ornamental design for a bag sealer device, as shown and described.

**DESCRIPTION**

FIG. 1 is a perspective view of the top, front, and right-hand side of a bag sealer device of the present invention.

FIG. 2 is a front elevational view thereof.

FIG. 3 is a rear elevational view thereof.

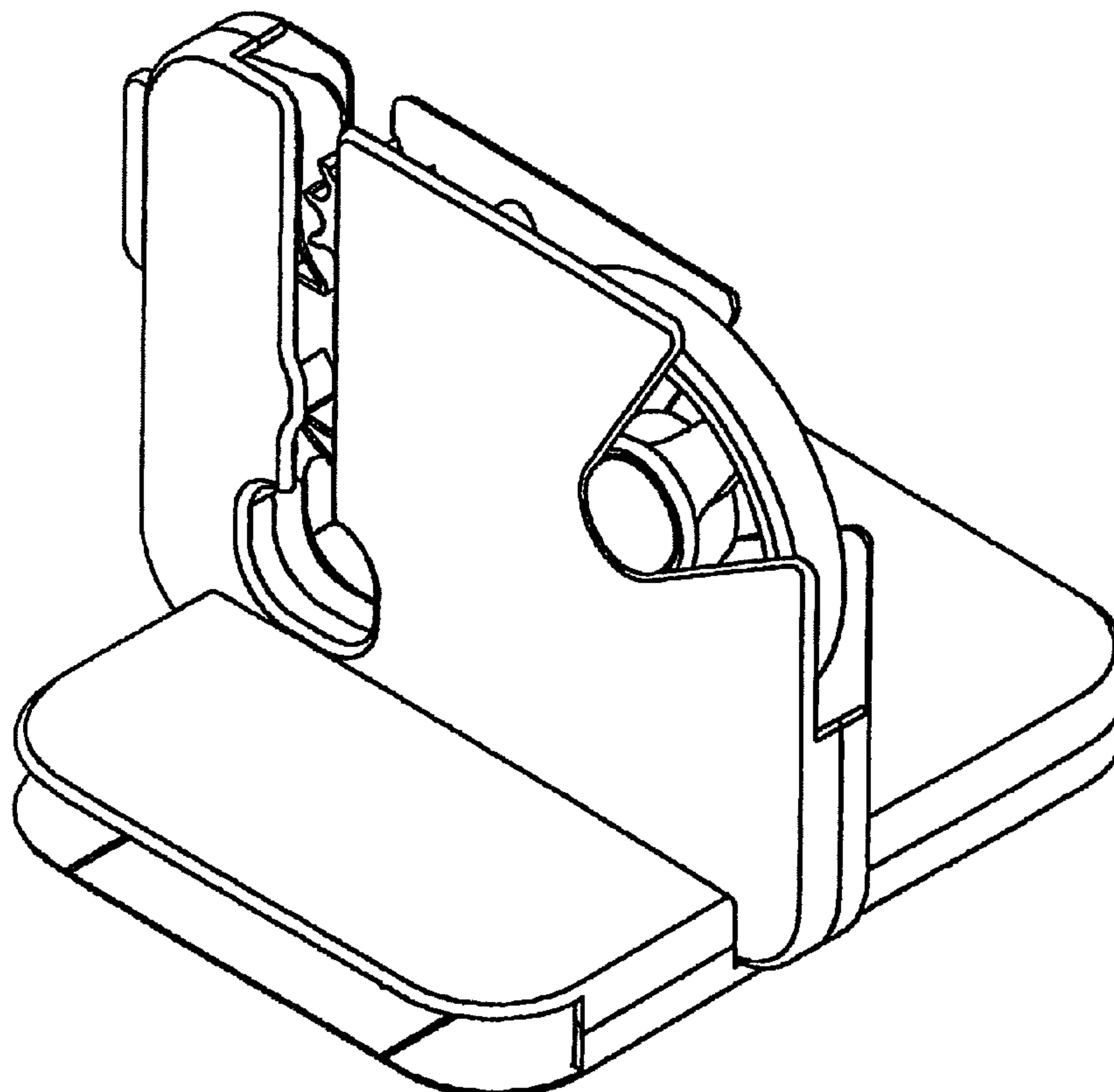
FIG. 4 is an elevational view of the right-hand side thereof.

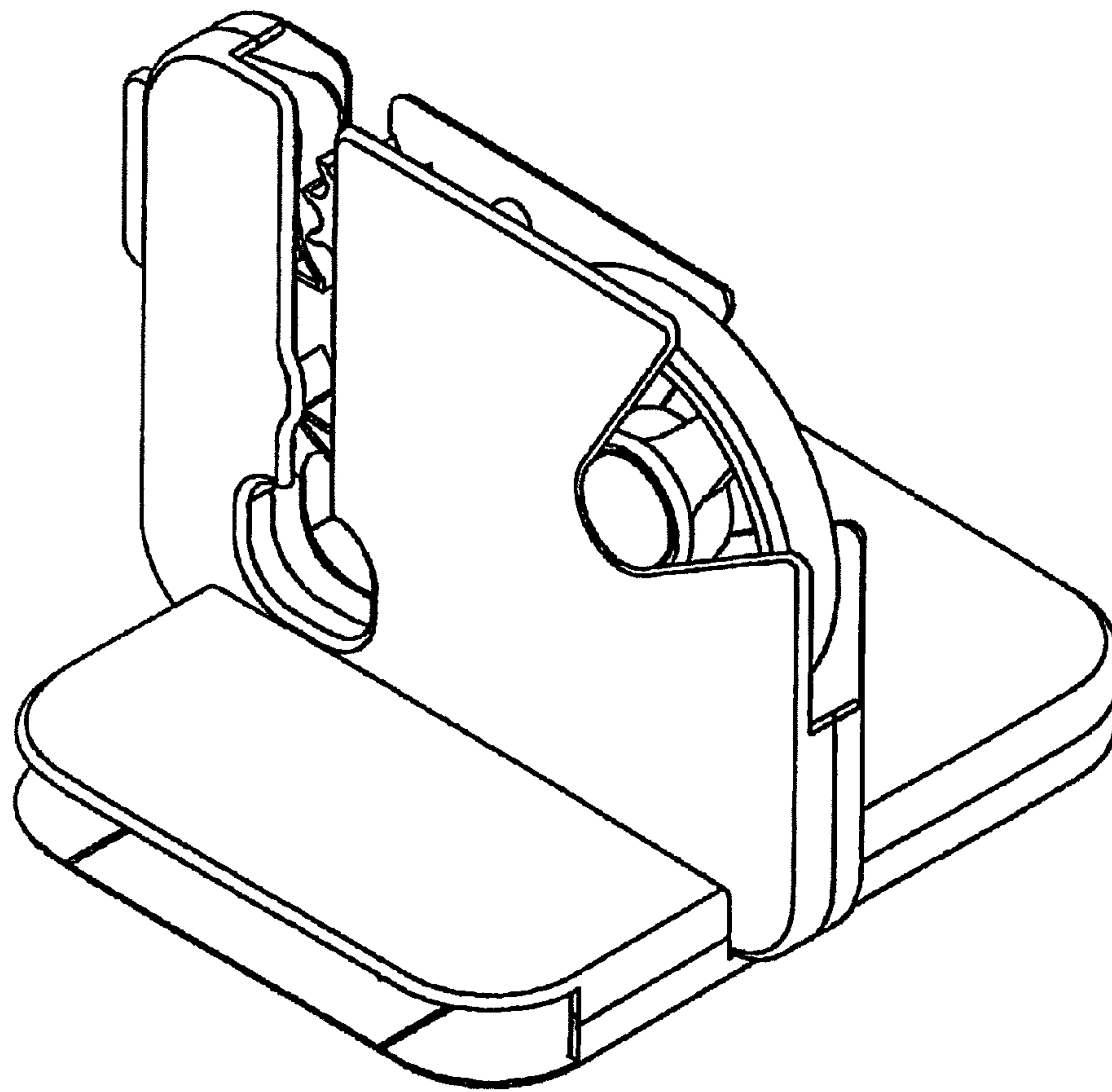
FIG. 5 is an elevational view of the left-hand side thereof.

FIG. 6 is a top plan view thereof; and,

FIG. 7 is a bottom plan view thereof.

**1 Claim, 7 Drawing Sheets**





*FIG. 1*

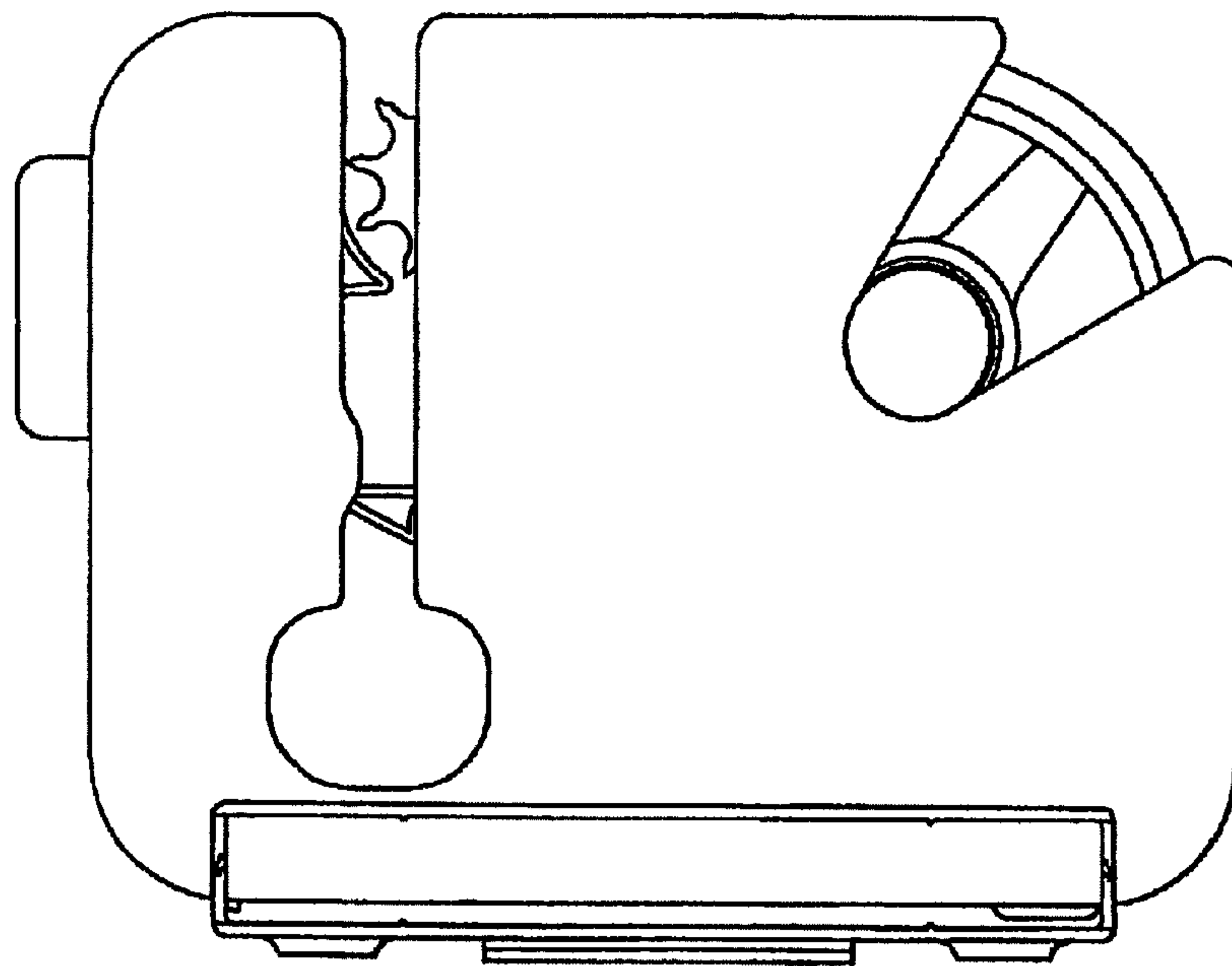


FIG. 2

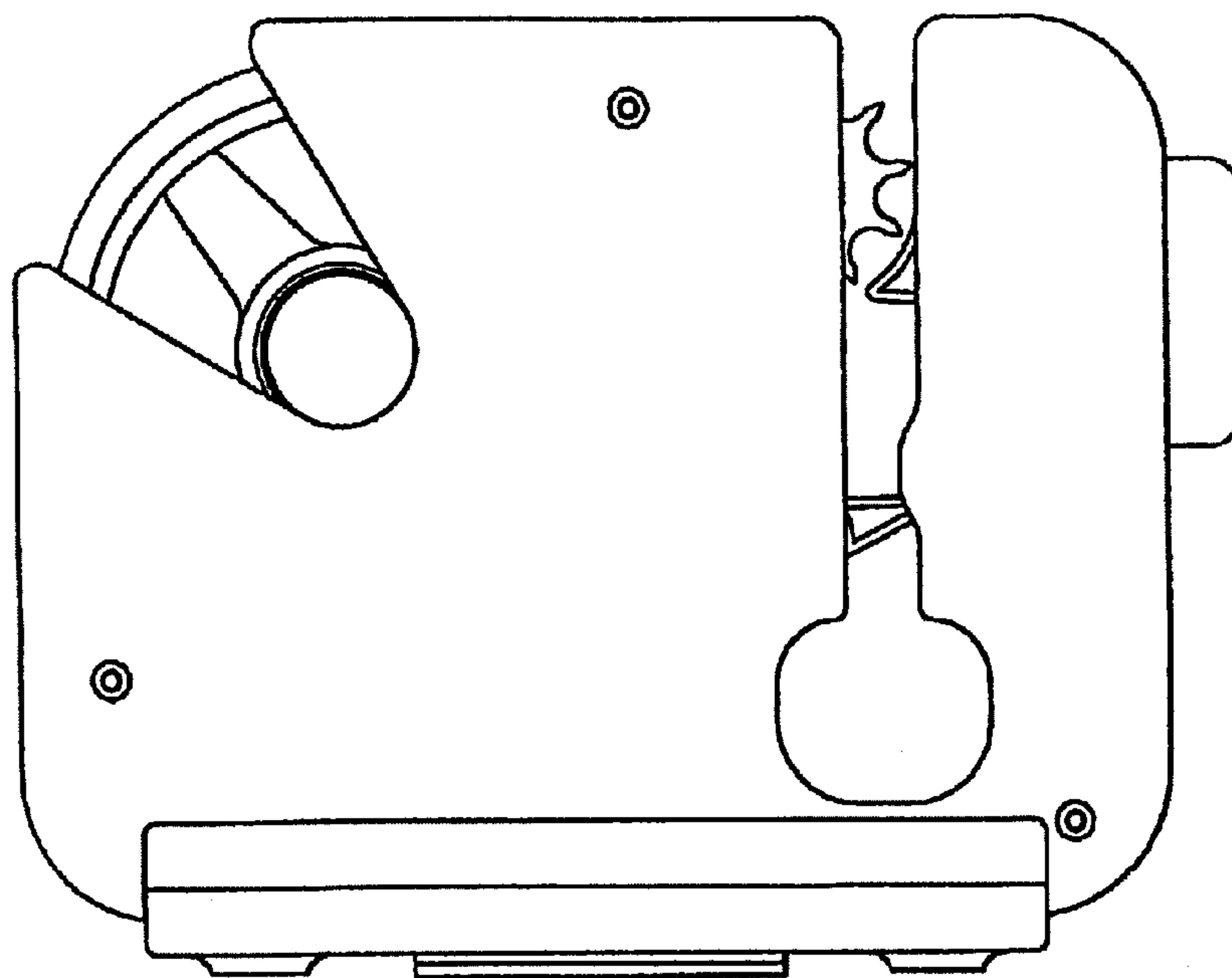


FIG. 3

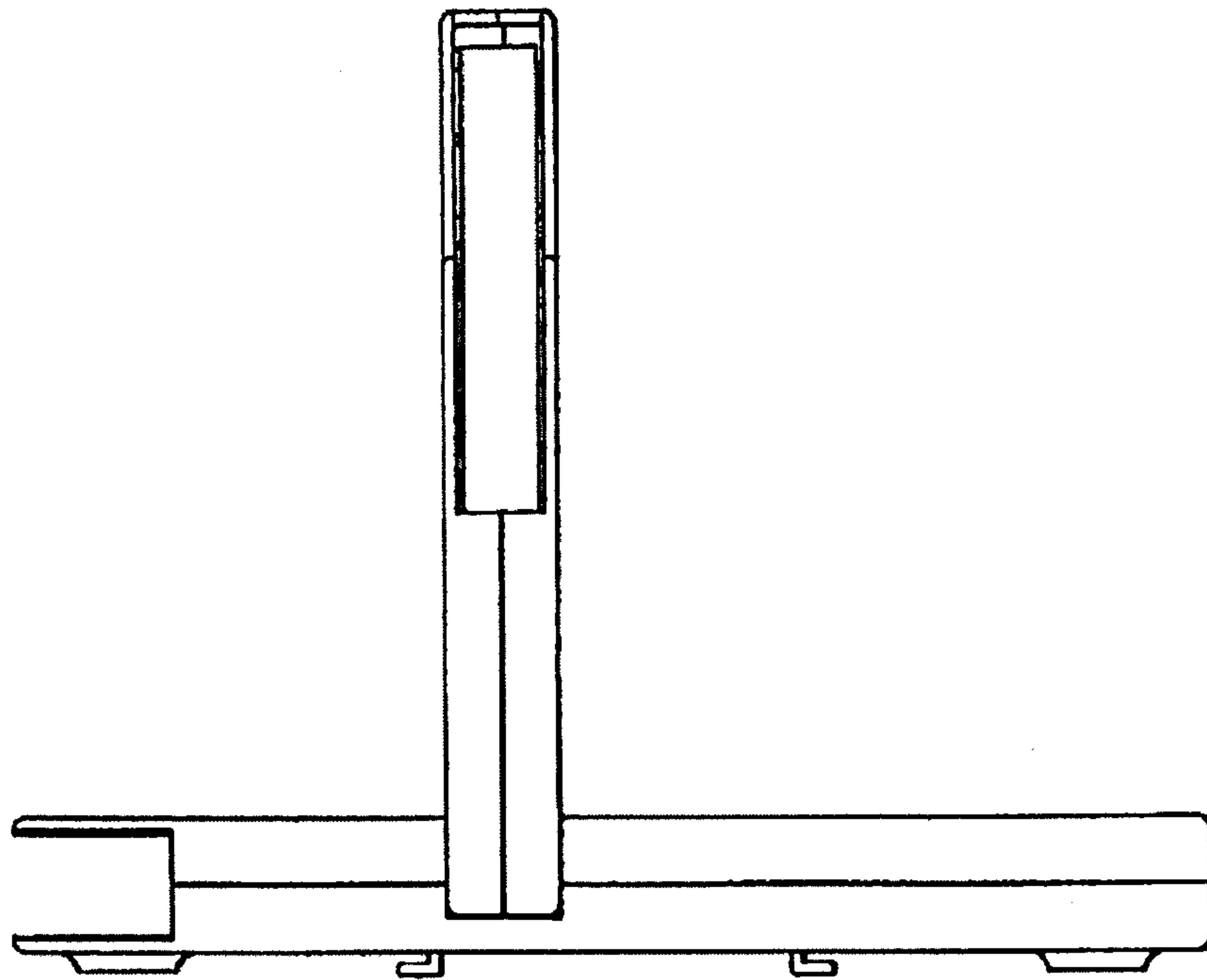


FIG. 4

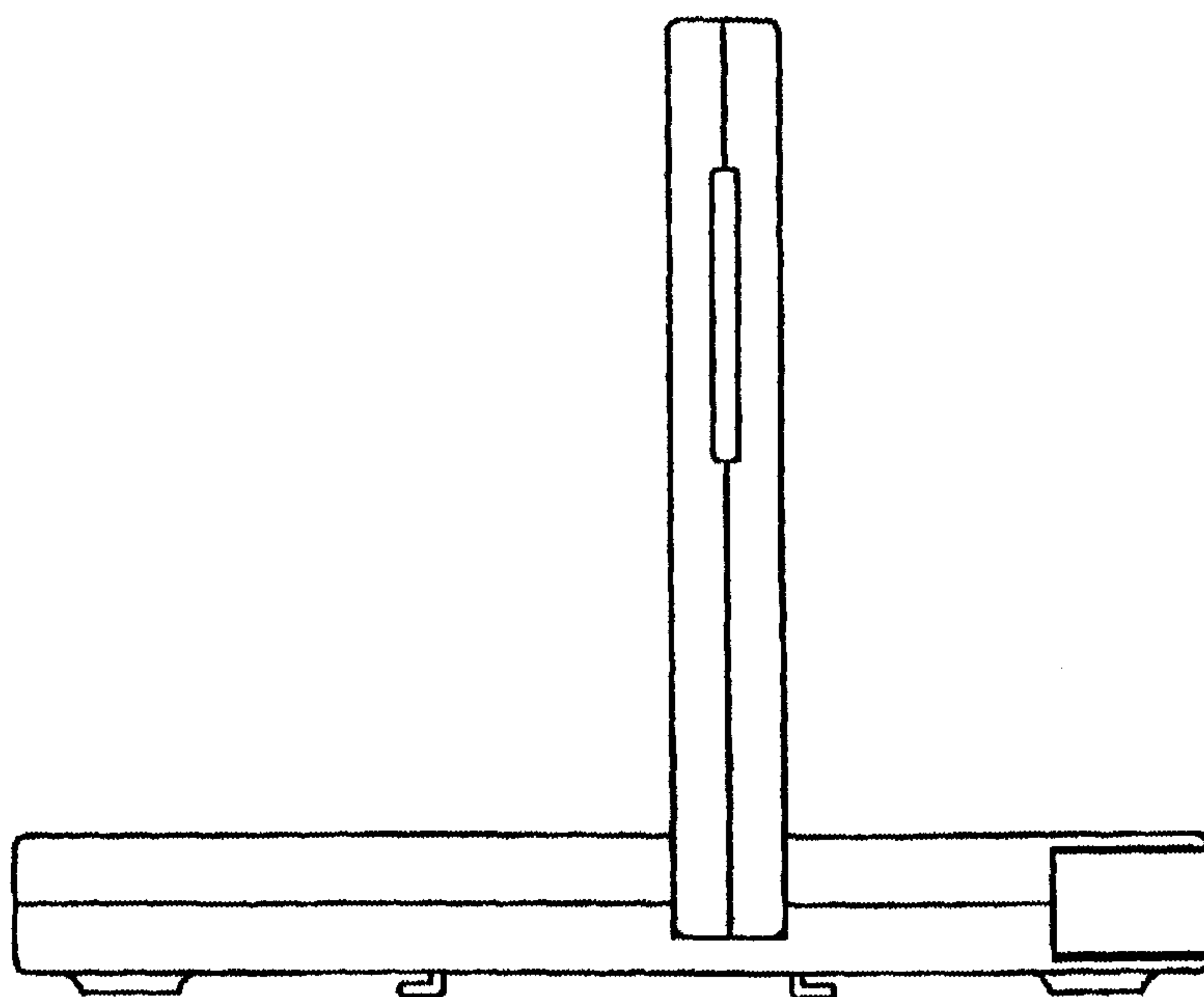


FIG. 5

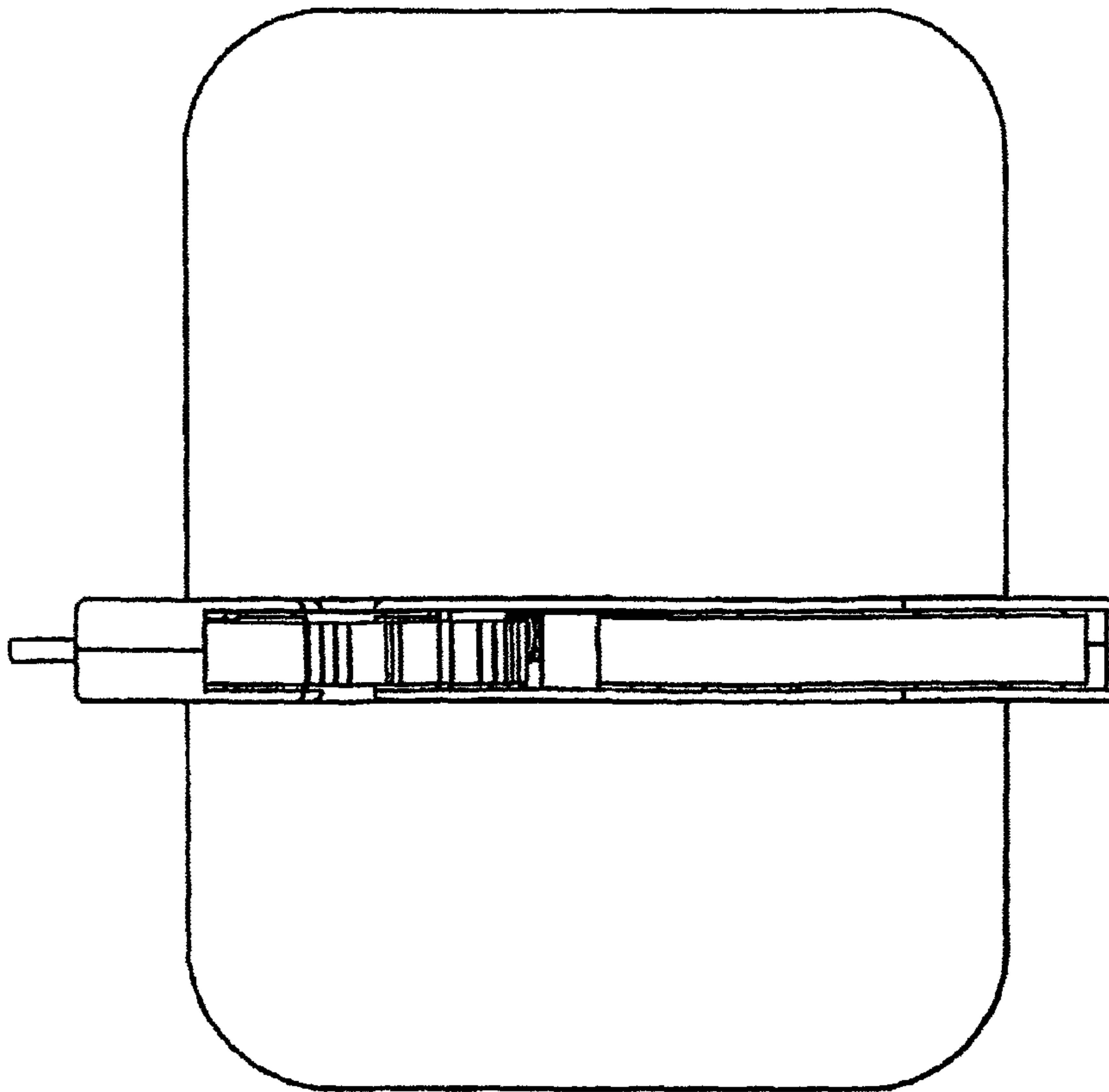


FIG. 6

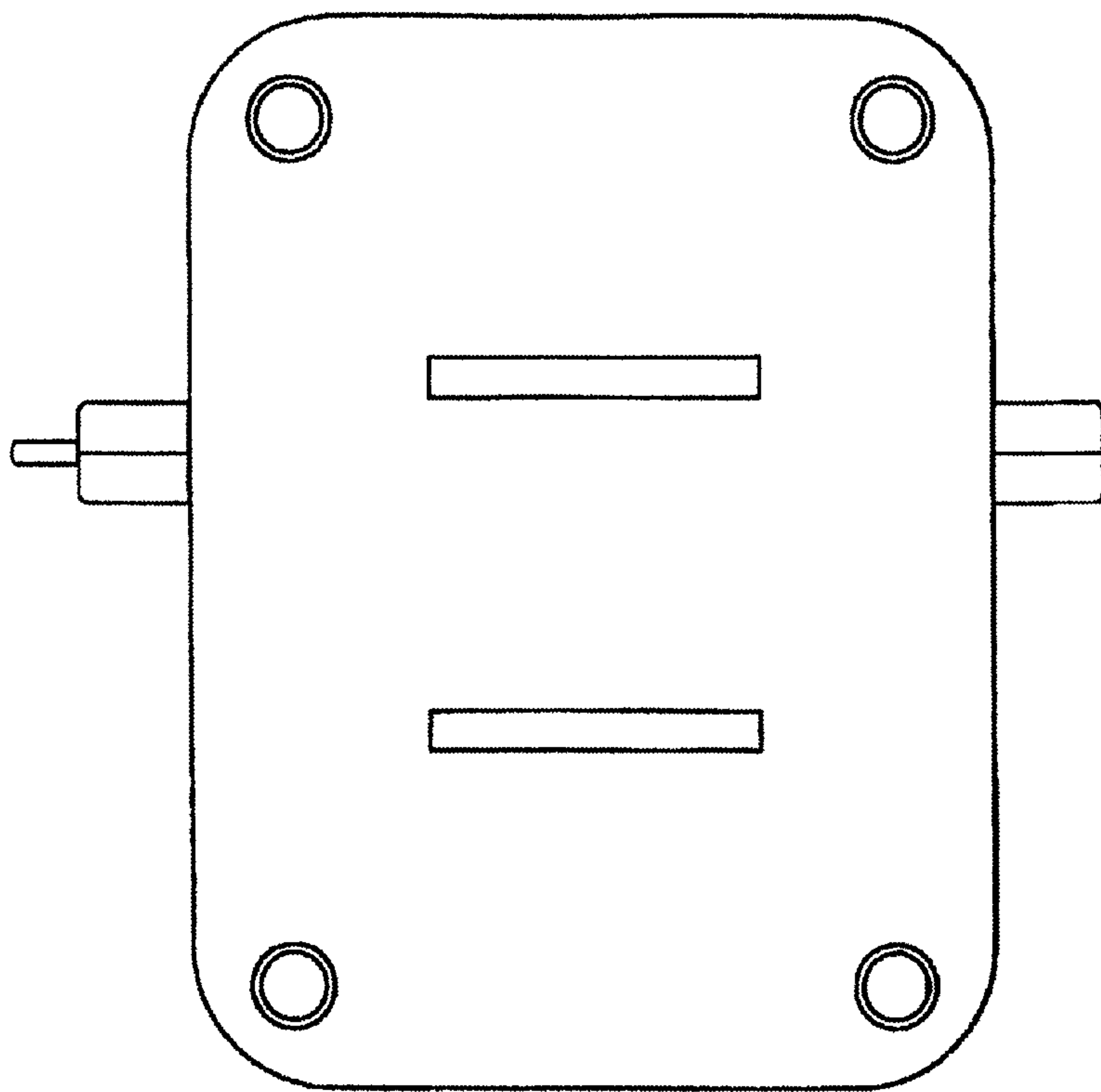


FIG. 7