



US00D733777S

(12) **United States Design Patent**
Miller

(10) **Patent No.:** **US D733,777 S**
(45) **Date of Patent:** **** Jul. 7, 2015**

(54) **WELDING WIRE SPOOL HOUSING**

(71) Applicant: **LINCOLN GLOBAL, INC.**, City of Industry, CA (US)

(72) Inventor: **Victor Miller**, Jamul, CA (US)

(73) Assignee: **Lincoln Global, Inc.**, City of Industry, CA (US)

(**) Term: **14 Years**

(21) Appl. No.: **29/472,444**

(22) Filed: **Nov. 12, 2013**

(51) **LOC (10) Cl.** **15-09**

(52) **U.S. Cl.**
USPC **D15/144**

(58) **Field of Classification Search**
USPC D8/358; D15/144, 144.1, 144.2
See application file for complete search history.

(56) **References Cited**

U.S. PATENT DOCUMENTS

2,681,401	A *	6/1954	Anderson	219/137.2
3,323,752	A *	6/1967	Kurtz et al.	242/129.8
4,111,380	A *	9/1978	Heuckroth	242/128
6,682,278	B2 *	1/2004	Gronbach et al.	409/235
7,176,411	B2 *	2/2007	Enyedy	219/137.2
D569,884	S *	5/2008	Shu	D15/144
7,427,726	B2 *	9/2008	Enyedy et al.	219/136
7,615,718	B2 *	11/2009	Byerly	219/58
D653,271	S *	1/2012	Kindig	D15/144

8,328,070	B1 *	12/2012	Burns	228/41
D686,907	S *	7/2013	Chastain et al.	D8/358
8,476,555	B2 *	7/2013	Diedrick et al.	219/137.2
D694,095	S *	11/2013	Chastain et al.	D8/358
8,776,408	B2 *	7/2014	Stewart	37/455
2005/0258155	A1 *	11/2005	DeYoung	219/130.1
2007/0284352	A1 *	12/2007	Lynaugh et al.	219/137.2
2008/0156783	A1 *	7/2008	Vanden Heuvel et al.	219/137.2
2009/0166345	A1 *	7/2009	Enyedy et al.	219/137.2

* cited by examiner

Primary Examiner — Patricia Palasik

(74) *Attorney, Agent, or Firm* — Hahn, Loeser & Parks LLP

(57) **CLAIM**

The ornamental design for a welding wire spool housing, as shown and described.

DESCRIPTION

FIG. 1 is a top perspective view of a welding wire spool housing showing my new design with environment shown in broken lines;

FIG. 2 is a bottom perspective view thereof;

FIG. 3 is a front view thereof;

FIG. 4 is a rear side view thereof;

FIG. 5 is a left side view thereof;

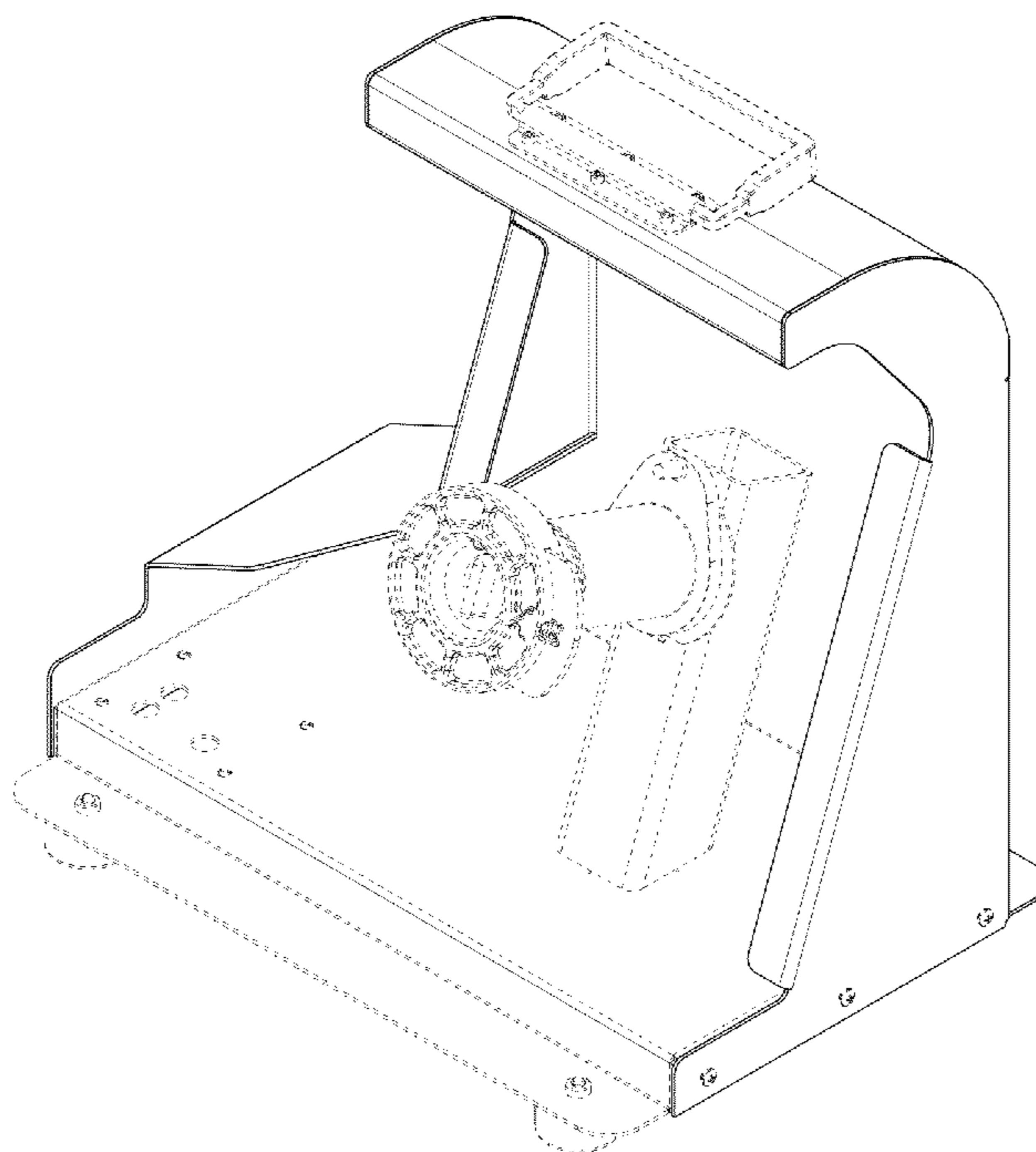
FIG. 6 is a right view thereof;

FIG. 7 is a top view thereof; and,

FIG. 8 is a bottom view thereof.

The broken lines shown are environmental only and form no part of the claimed design.

1 Claim, 6 Drawing Sheets



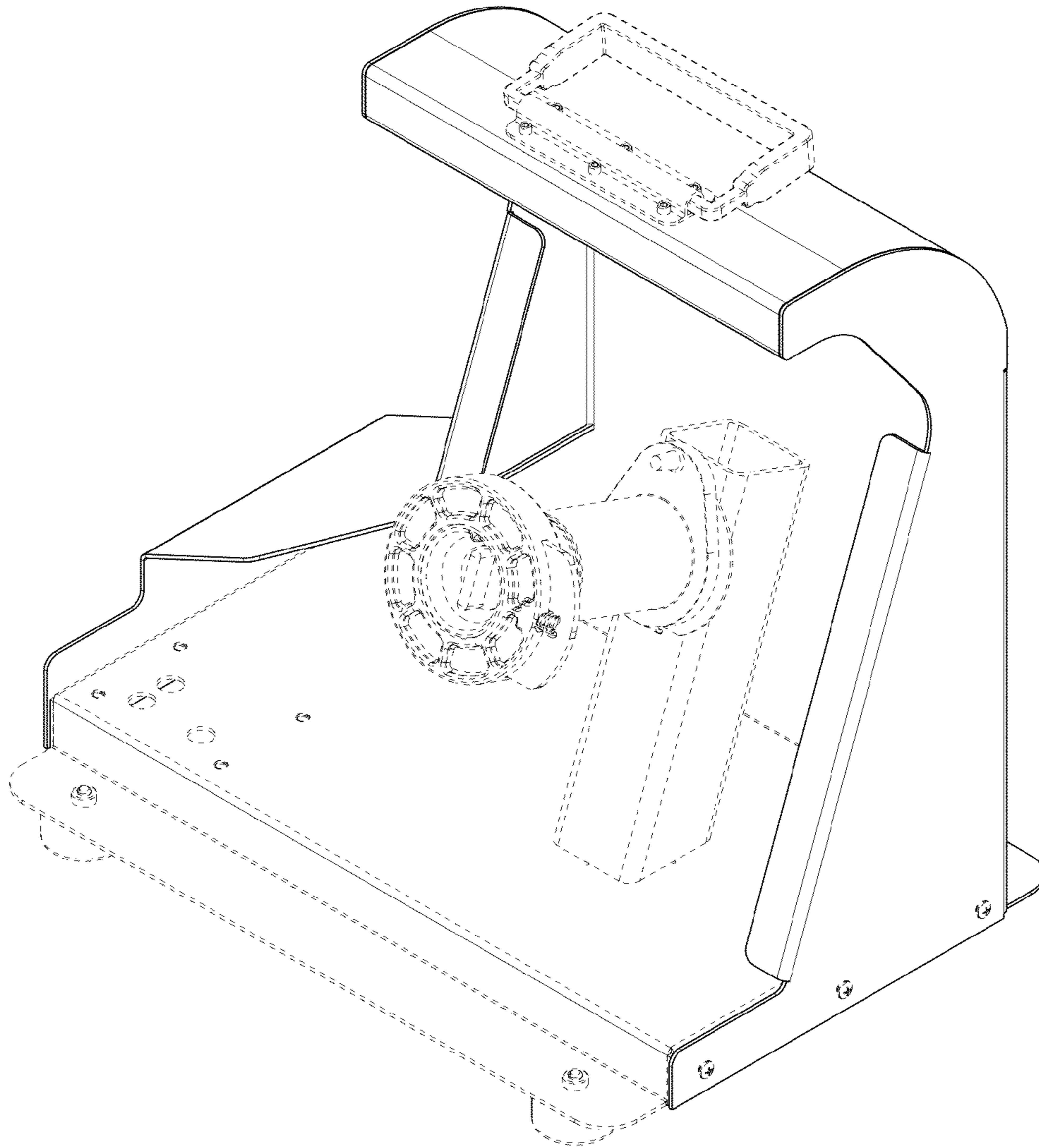


FIG. 1

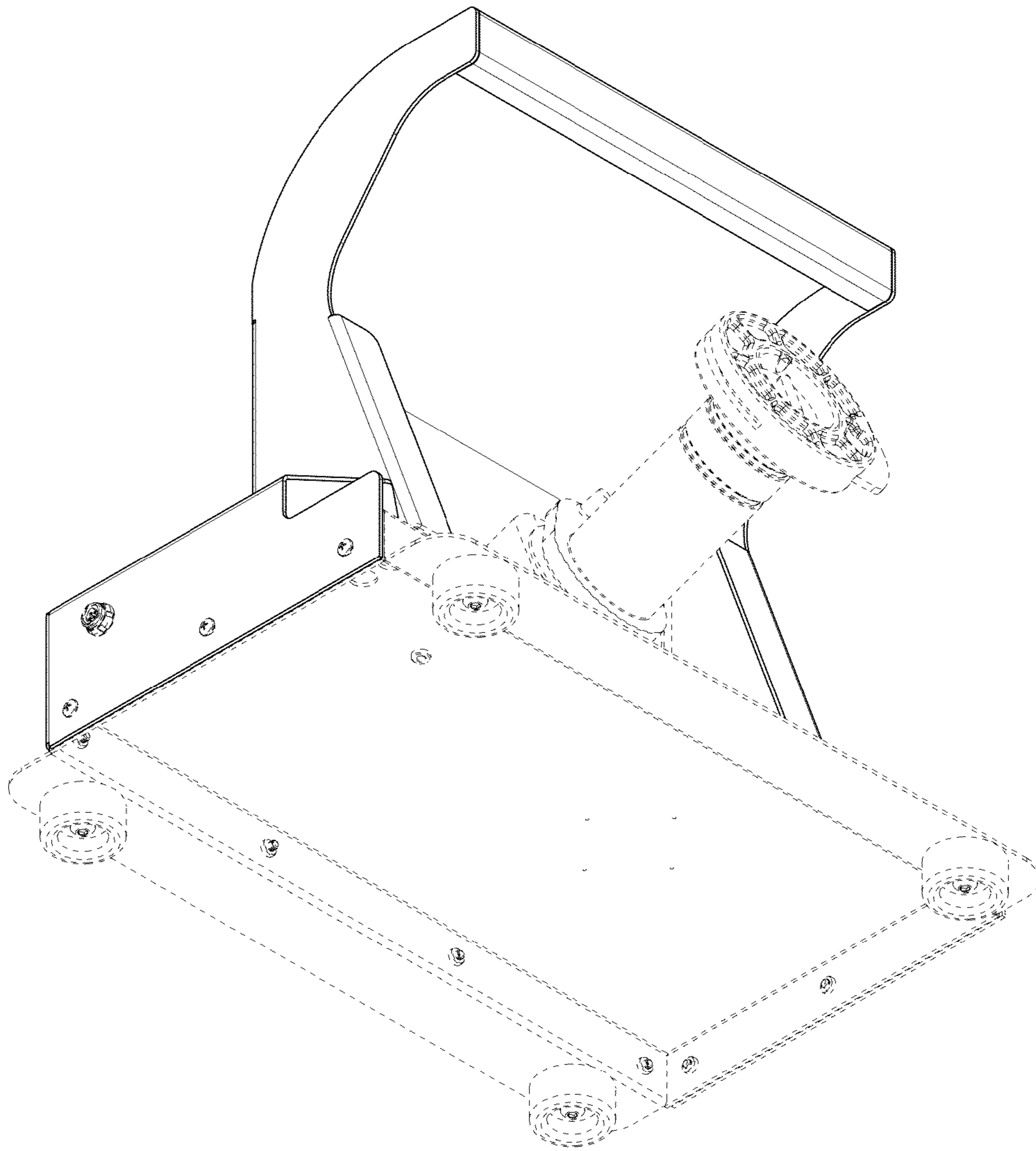


FIG. 2

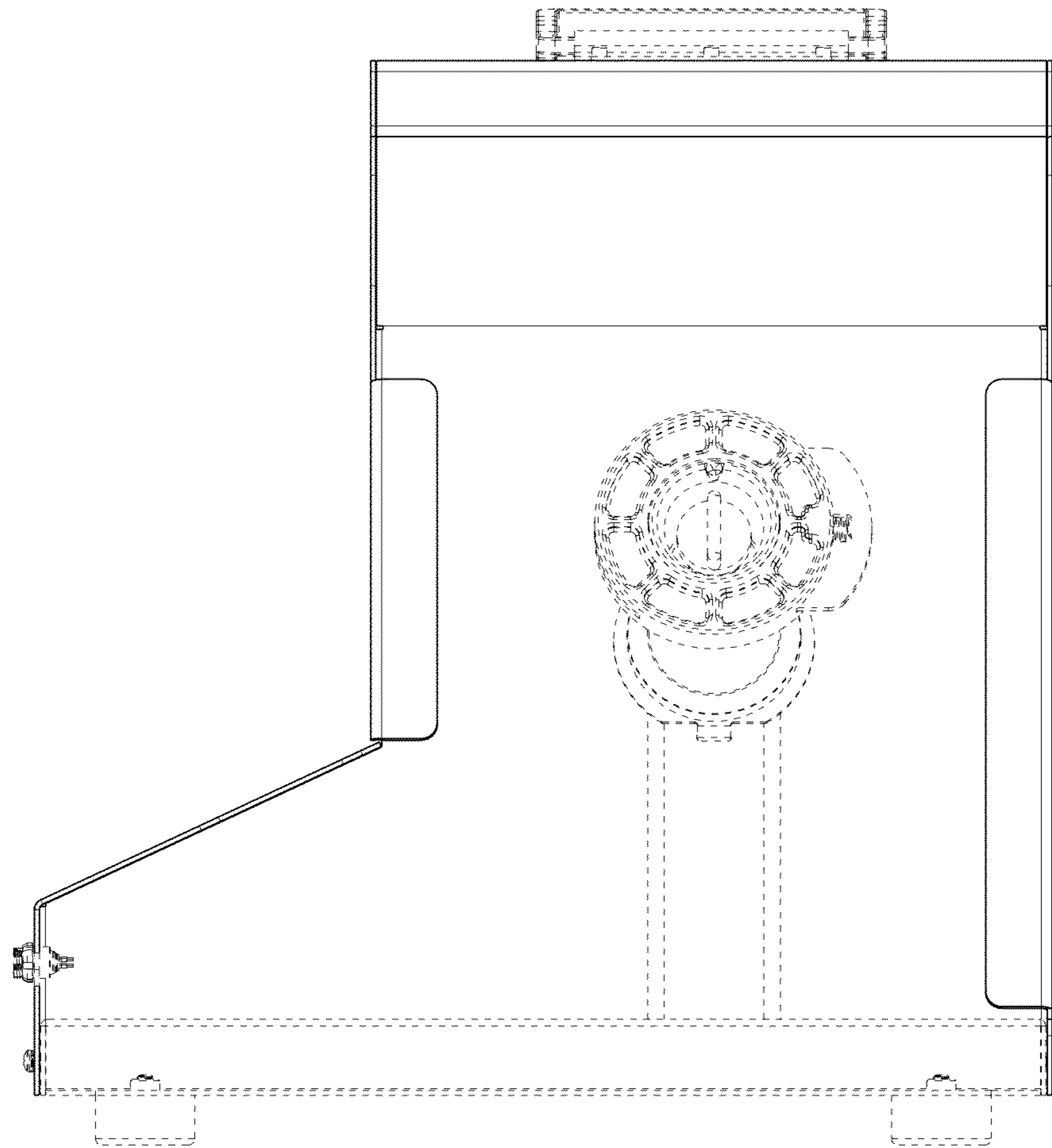


FIG. 3

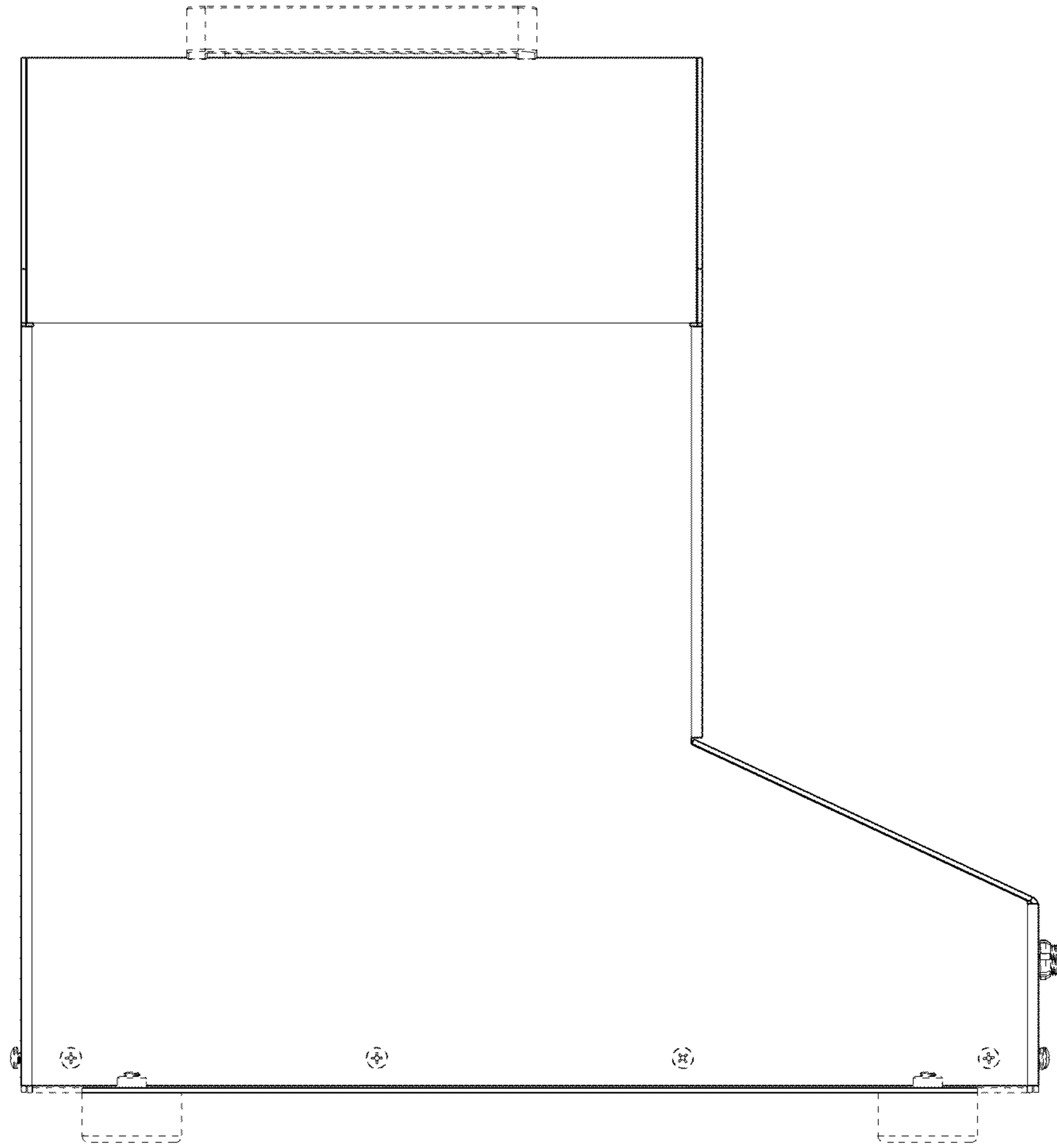


FIG. 4

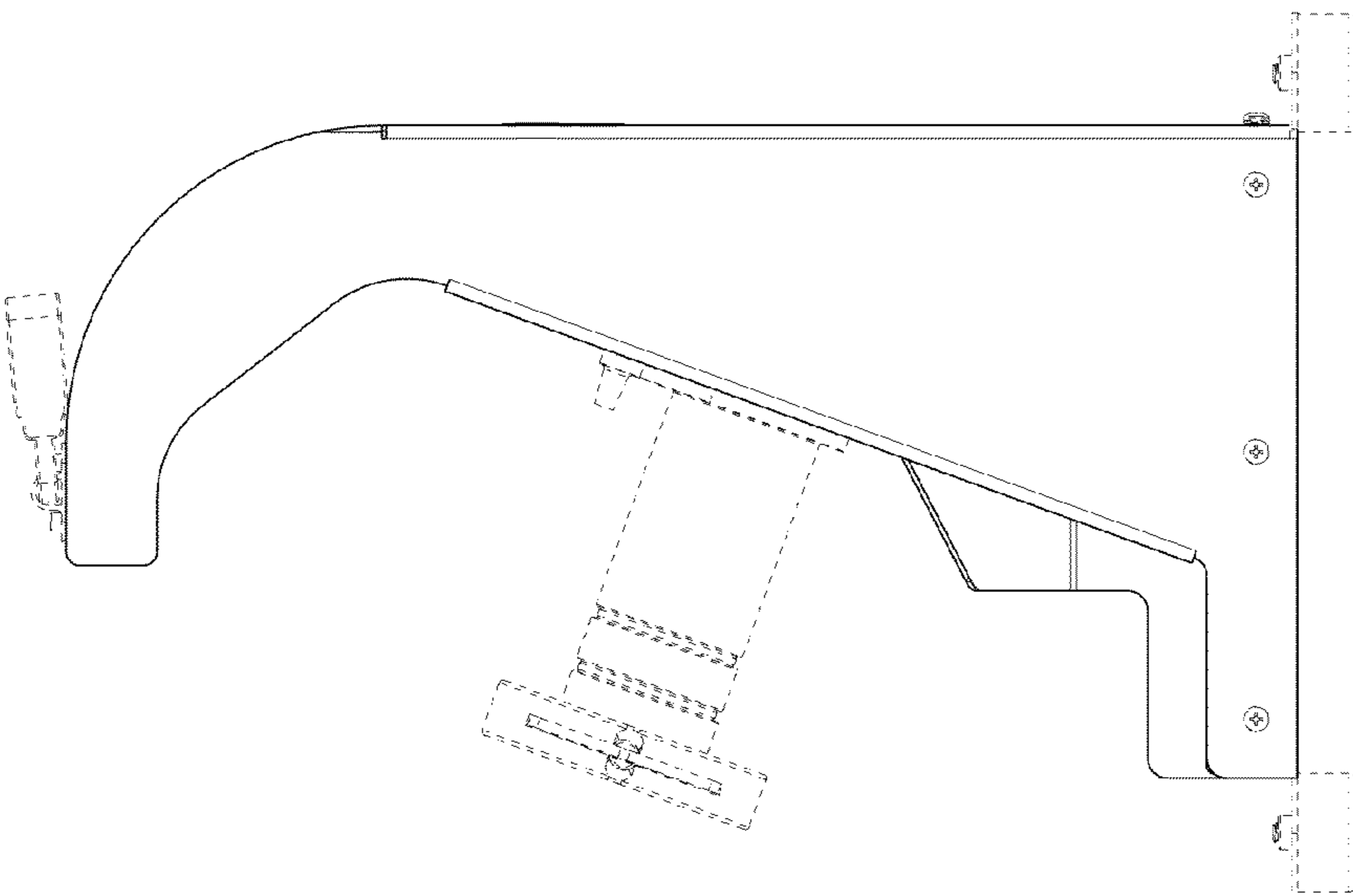


FIG. 5

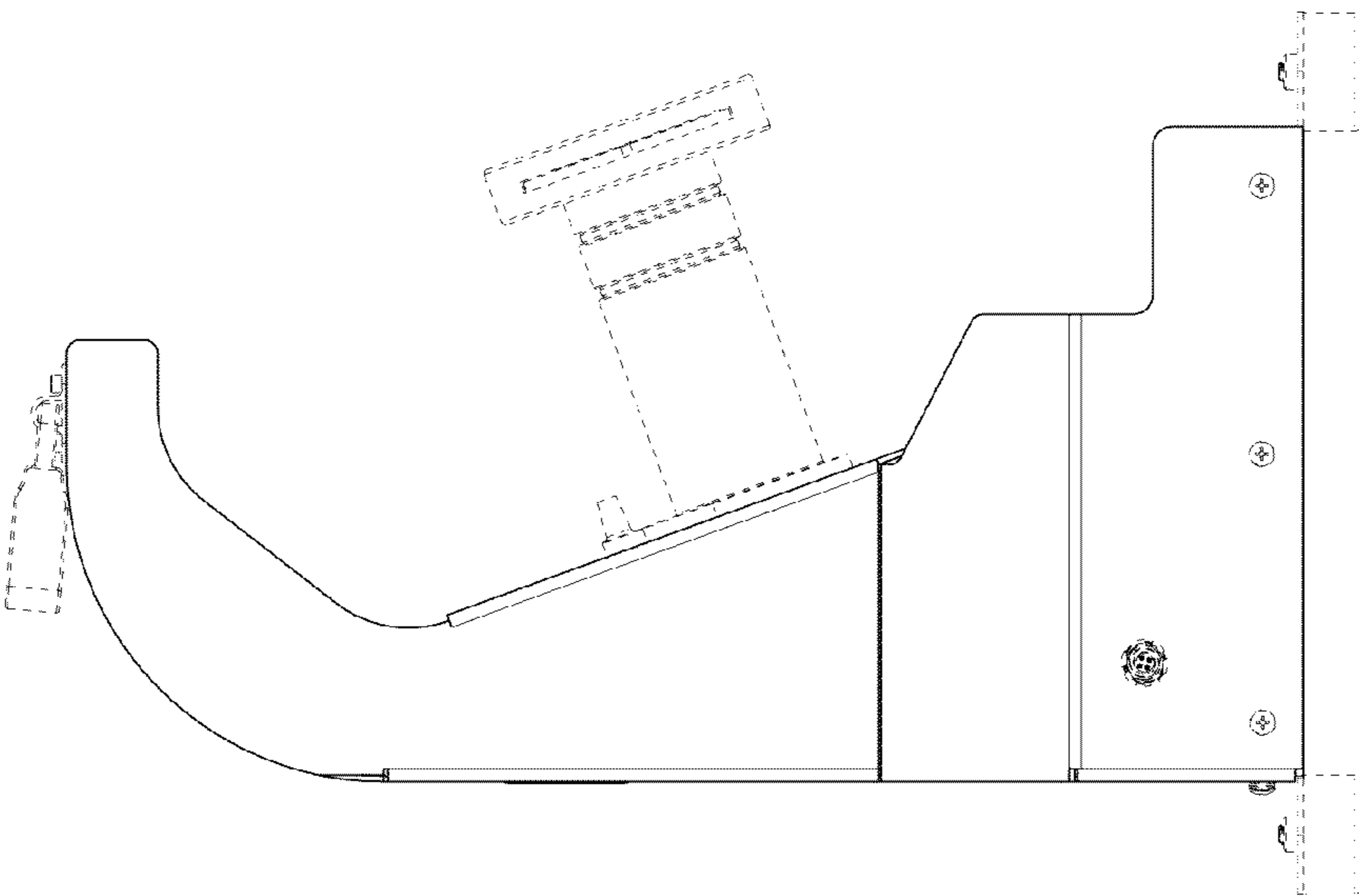


FIG. 6

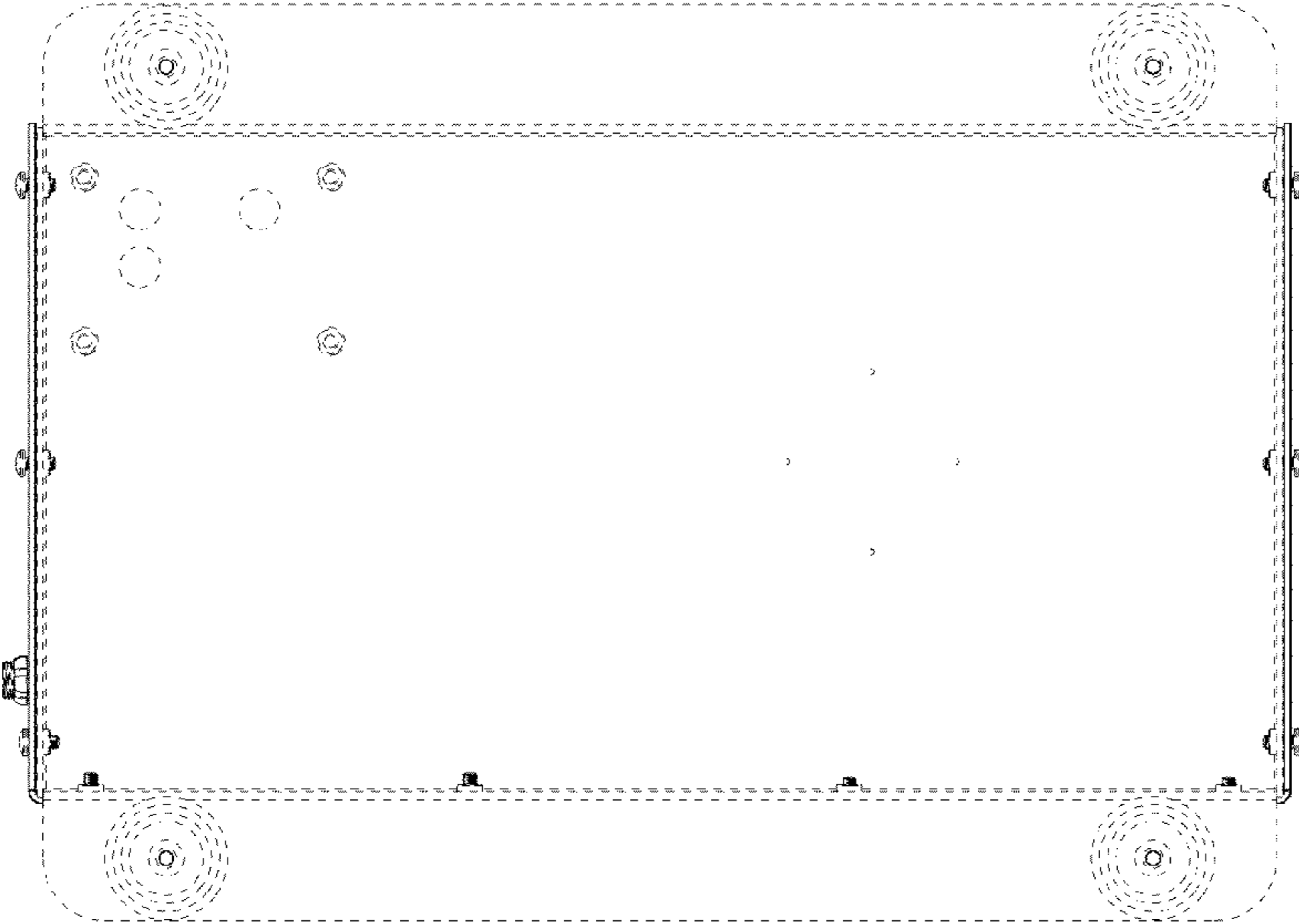


FIG. 8

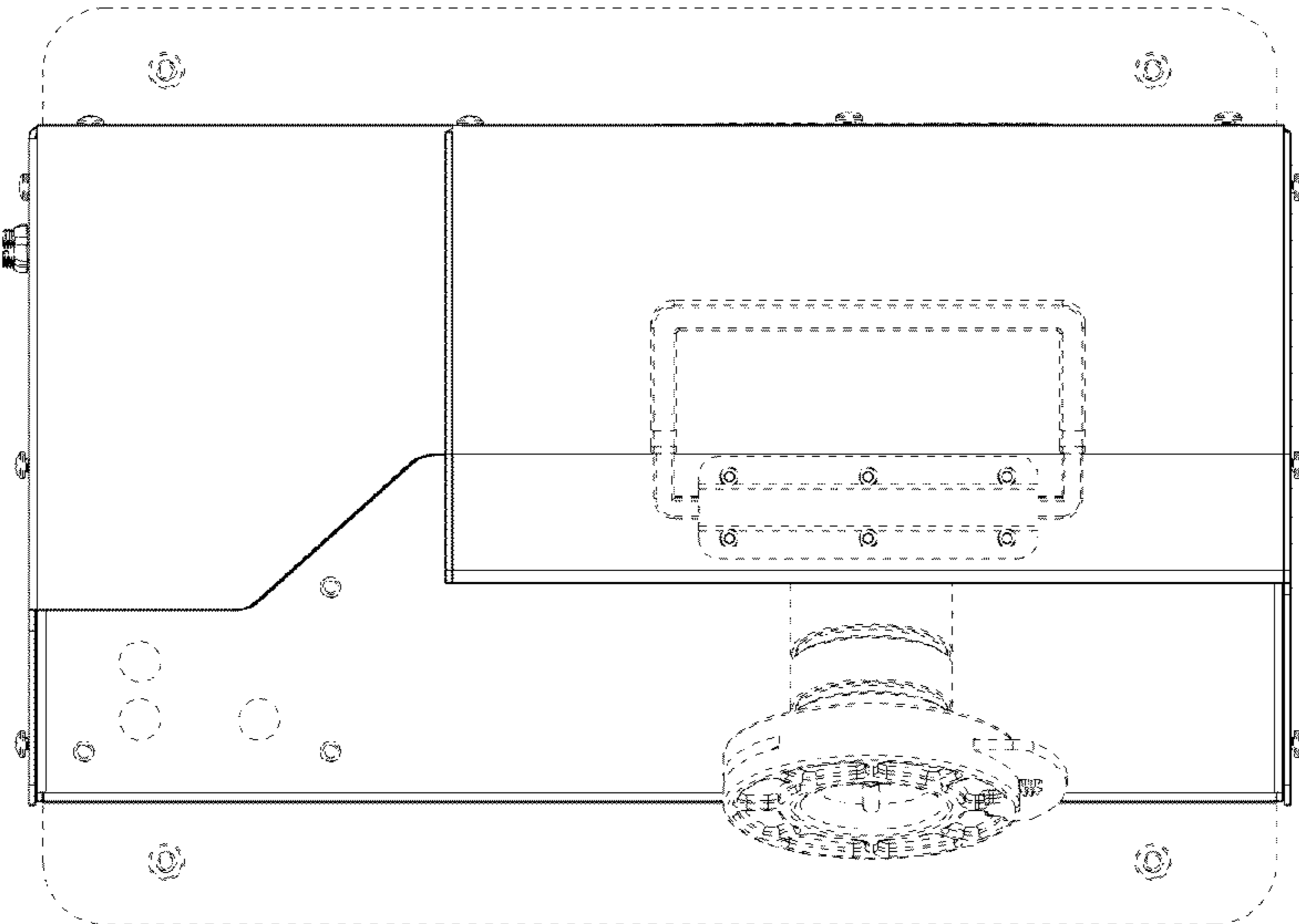


FIG. 7