



US00D733774S

(12) **United States Design Patent**
Moon et al.

(10) **Patent No.:** **US D733,774 S**
(45) **Date of Patent:** **** Jul. 7, 2015**

(54) **HOME APPLIANCE**

(71) Applicant: **Samsung Electronics Co., Ltd.**,
Suwon-si (KR)
(72) Inventors: **Ji-Hyun Moon**, Gwangmyeong-Si (KR);
Sang-Min Hyun, Seoul (KR);
Jong-Chan Kwon, Yongin-Si (KR);
Jin-Ie Ryu, Seoul (KR); **Yang-Jic Lee**,
Gwachon-Si (KR)

(73) Assignee: **Samsung Electronics Co., Ltd.**,
Suwon-si (KR)

(**) Term: **14 Years**

(21) Appl. No.: **29/466,465**

(22) Filed: **Sep. 9, 2013**

(30) **Foreign Application Priority Data**

Mar. 8, 2013 (KR) 30-2013-0011838

(51) **LOC (10) Cl.** **15-07**

(52) **U.S. Cl.**
USPC **D15/91**

(58) **Field of Classification Search**
USPC D15/79-91; 312/236, 352, 400-408,
312/116; 62/3.1-3.3, 98, 236, 246-255,
62/275, 293, 331, 344, 352, 371, 440, 467,
62/529, 531; D7/306; 222/146.5, 145.6
See application file for complete search history.

(56) **References Cited**

U.S. PATENT DOCUMENTS

D211,773 S * 7/1968 Schroeder D15/85
D365,579 S * 12/1995 Baker et al. D15/89

5,474,213 A * 12/1995 Unger 222/108
D367,659 S * 3/1996 Baker et al. D15/89
D568,913 S * 5/2008 Suh et al. D15/89
D569,399 S * 5/2008 Crookshanks et al. D15/89
D582,443 S * 12/2008 Kim et al. D15/89
D589,988 S * 4/2009 Martin et al. D15/89
D668,276 S * 10/2012 Jungwirth D15/89
D672,376 S * 12/2012 Ringemann et al. D15/89
D697,537 S * 1/2014 Seo et al. D15/89
D710,403 S * 8/2014 Seo et al. D15/89

* cited by examiner

Primary Examiner — Ian Simmonds

Assistant Examiner — Khawaja Anwar

(74) *Attorney, Agent, or Firm* — NSIP Law

(57) **CLAIM**

The ornamental design for a home appliance, as shown and described.

DESCRIPTION

FIG. 1 is a front perspective view of a home appliance showing our new design;

FIG. 2 is a front view thereof;

FIG. 3 is a rear view thereof;

FIG. 4 is a left-side view thereof;

FIG. 5 is a right-side view thereof;

FIG. 6 is a top view thereof;

FIG. 7 is a bottom view thereof; and,

FIG. 8 is another front perspective view thereof; shown in an open position.

The broken lines shown in FIG. 6 and FIG. 8 of the drawings show unclaimed subject matter only and form no part of the claimed design. The shade lines in the figures show contour and not surface ornamentation.

1 Claim, 6 Drawing Sheets

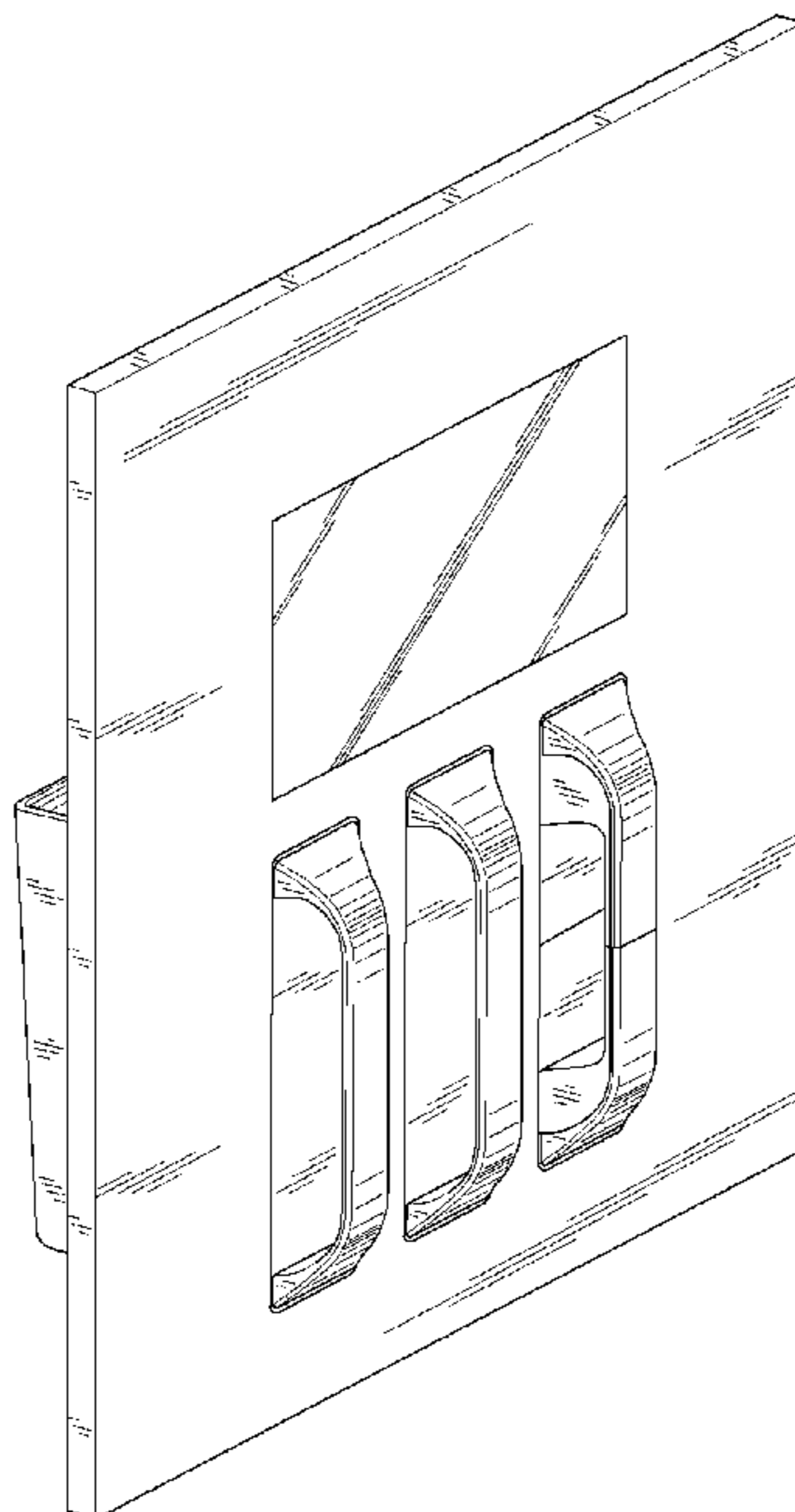


FIG. 1

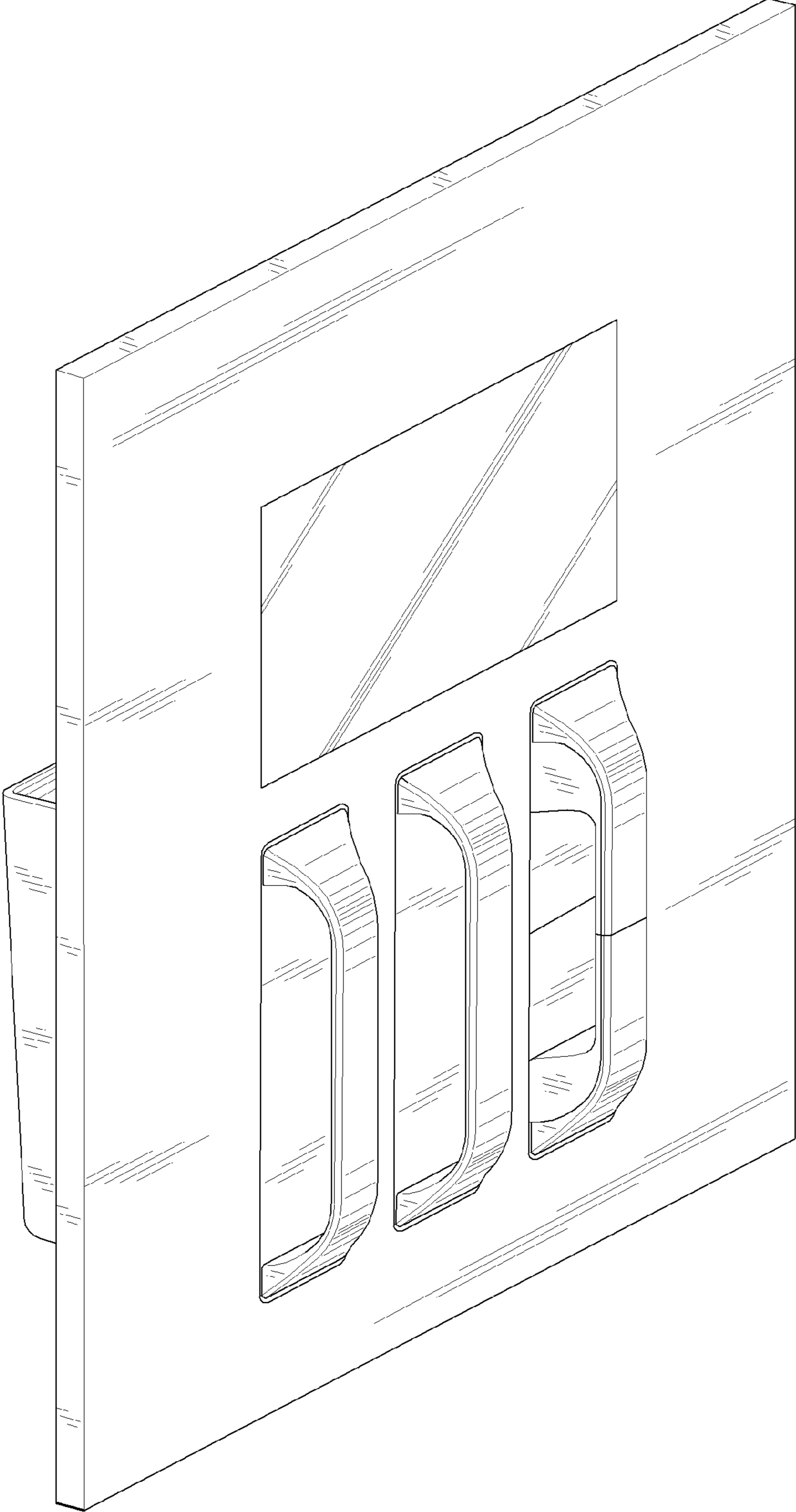


FIG. 2

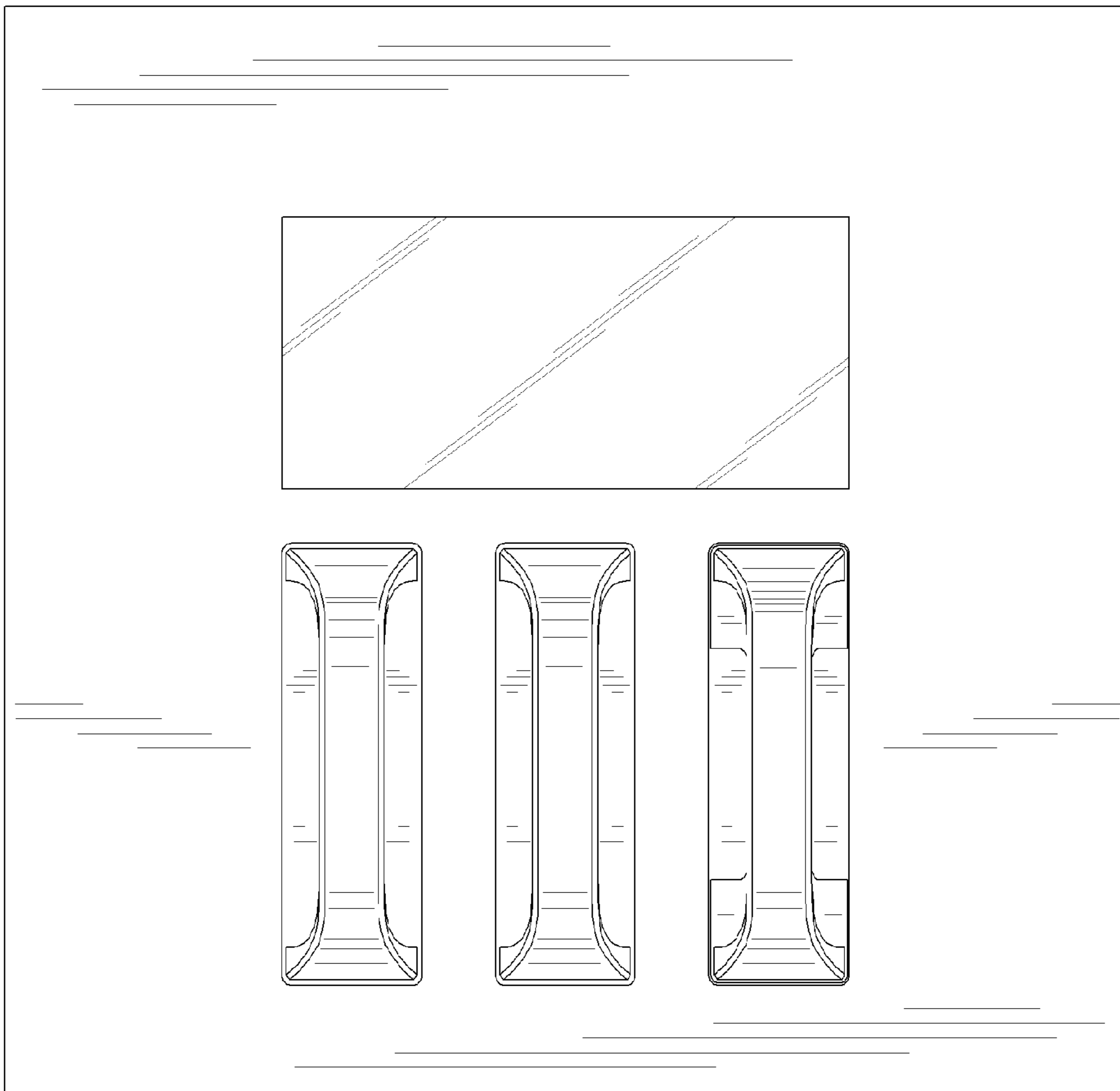


FIG. 3

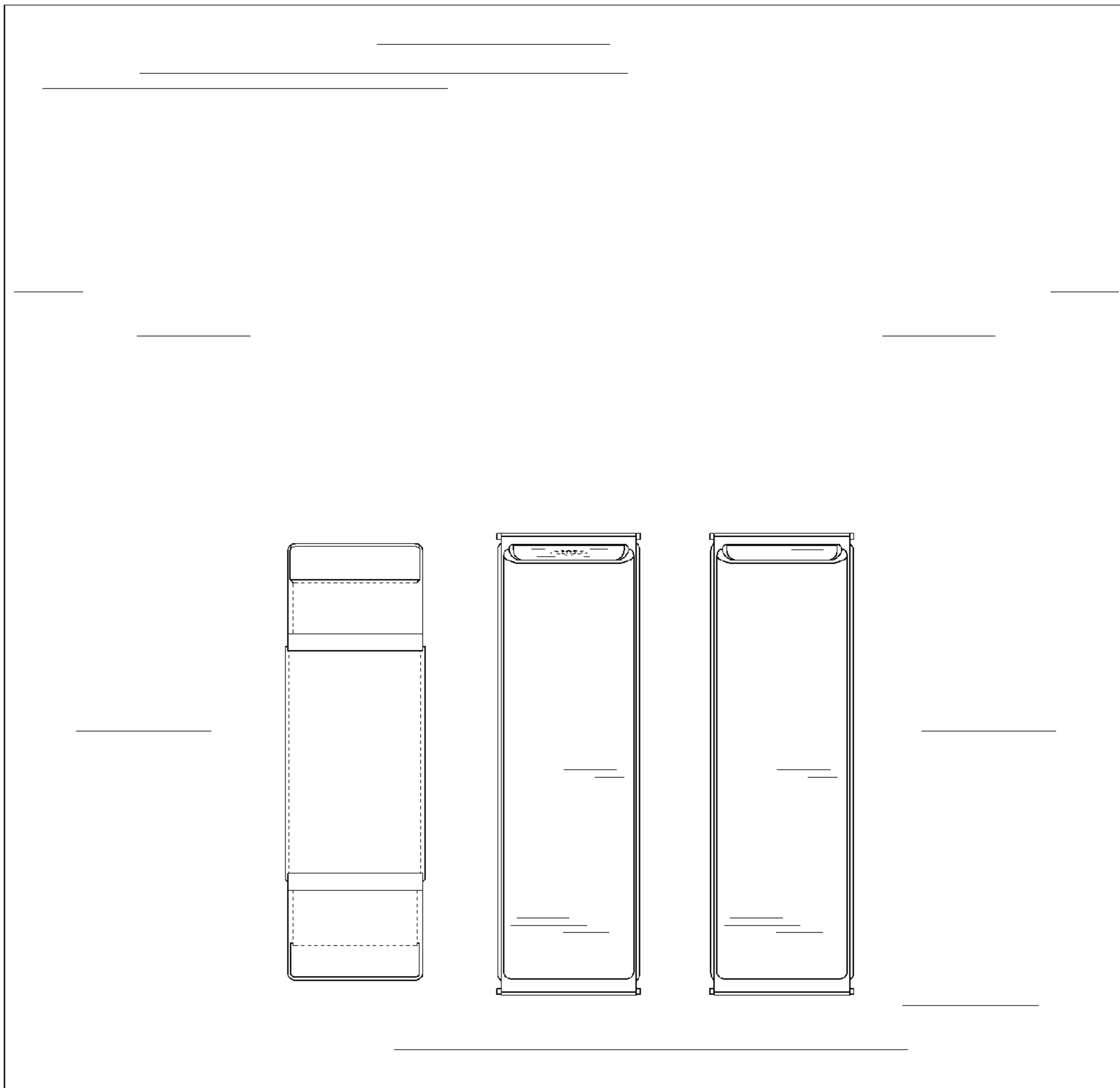


FIG. 4

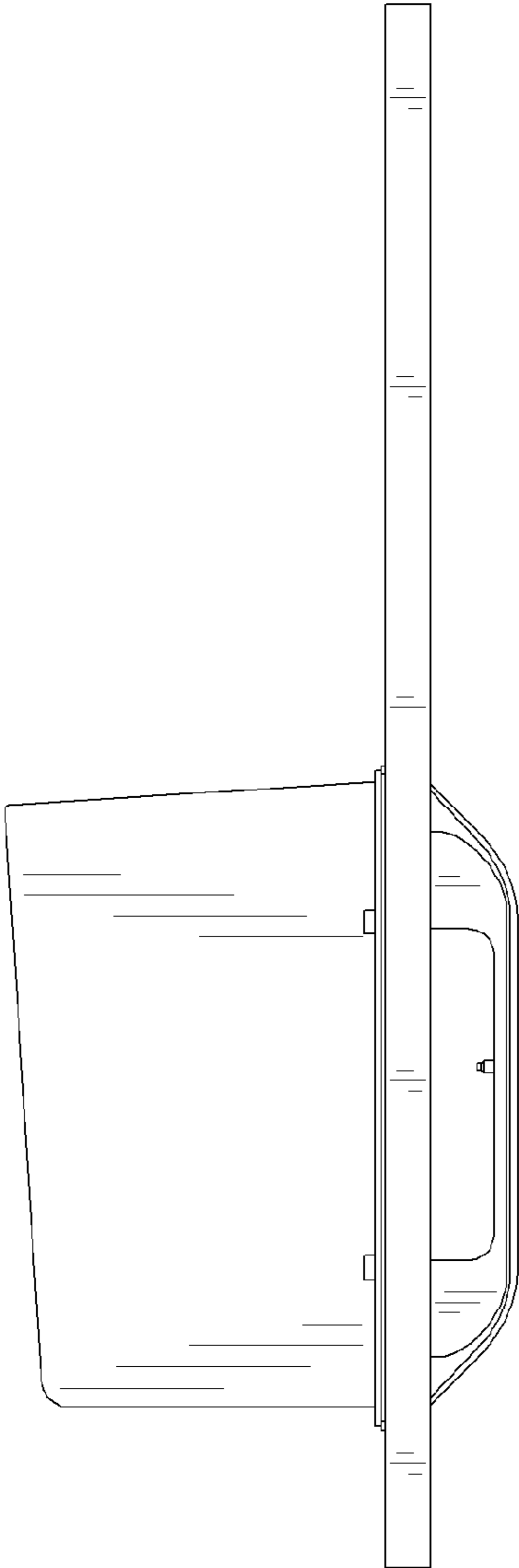


FIG. 5

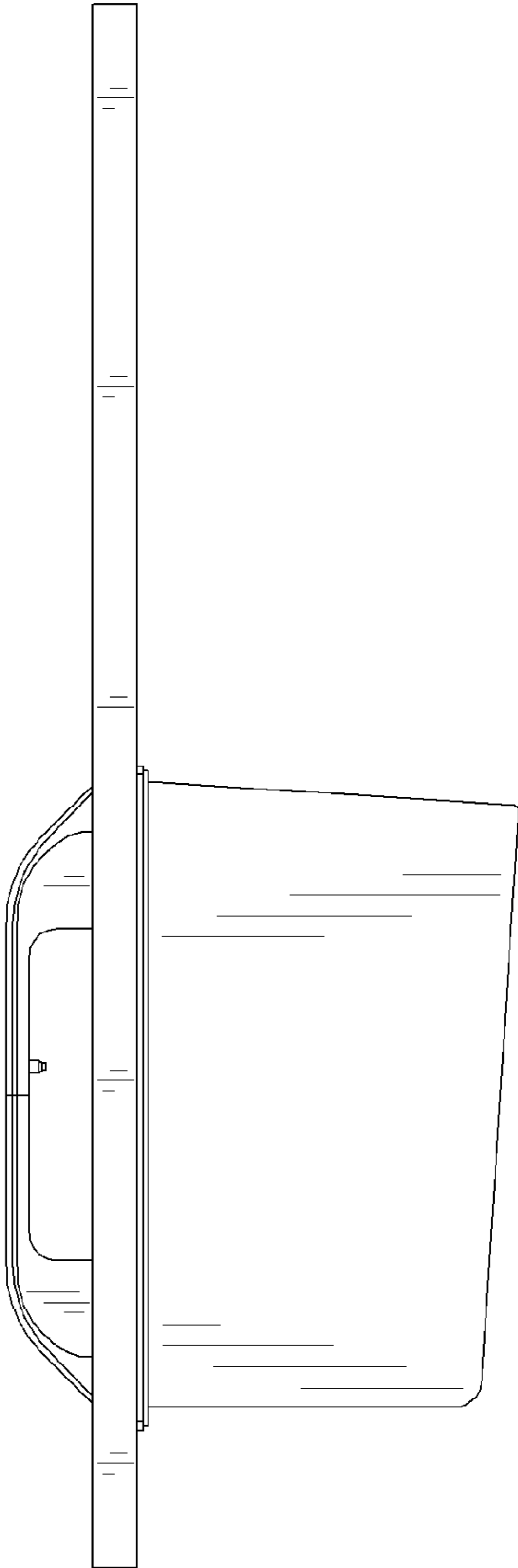


FIG. 6

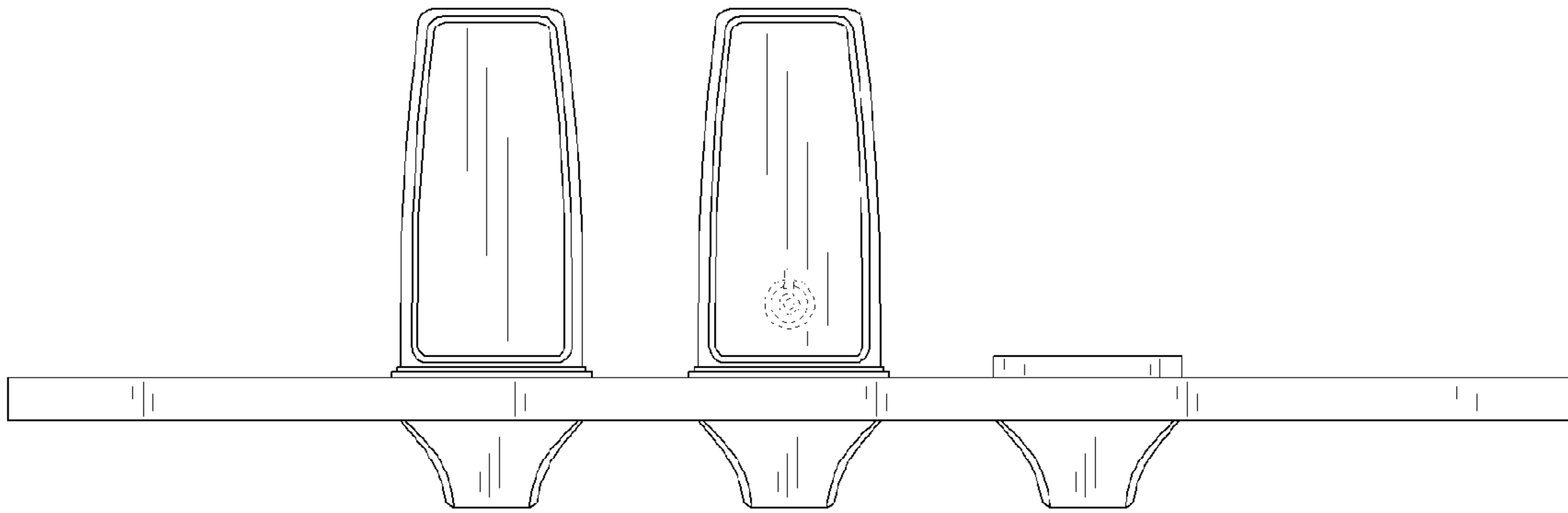


FIG. 7

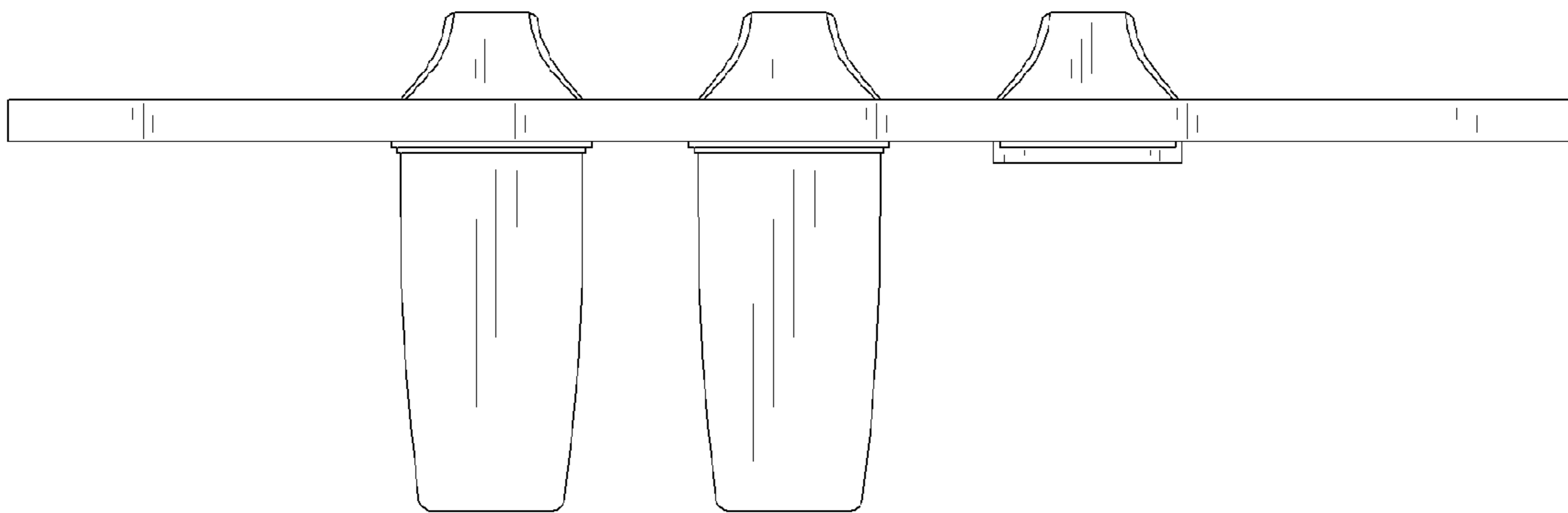


FIG. 8

