



US00D733772S

(12) **United States Design Patent**
Kim et al.

(10) **Patent No.:** **US D733,772 S**
(45) **Date of Patent:** **** Jul. 7, 2015**

(54) **TRAY FOR REFRIGERATOR**

F25D 25/02; F25D 25/024; F25D 27/005;
F25D 23/12; F25D 29/005; F25D 17/042;
F25D 2325/021

(71) Applicant: **SAMSUNG ELECTRONICS CO., LTD.**, Suwon-si (KR)

See application file for complete search history.

(72) Inventors: **Hyunsoo Kim**, Sungnam-si (KR); **Youngmin Park**, Seoul (KR); **Sunmin Lee**, Seoul (KR); **Jong Hyub Lee**, Seoul (KR)

(56) **References Cited**

U.S. PATENT DOCUMENTS

D483,616 S *	12/2003	Thonis	D7/545
D611,305 S *	3/2010	Hart et al.	D7/545
D630,061 S *	1/2011	Kellermann et al.	D7/545
D688,084 S *	8/2013	Henry	D7/354
D707,267 S *	6/2014	Choi et al.	D15/89

* cited by examiner

Primary Examiner — Daniel Bui

Assistant Examiner — Khawaja Anwar

(74) *Attorney, Agent, or Firm* — Ladas & Parry LLP

(73) Assignee: **Samsung Electronics Co., Ltd.**, Suwon-si (KR)

(**) Term: **14 Years**

(21) Appl. No.: **29/472,940**

(22) Filed: **Nov. 18, 2013**

(30) **Foreign Application Priority Data**

Aug. 2, 2013 (KR) 30-2013-0040142

(51) **LOC (10) Cl.** **15-07**

(52) **U.S. Cl.**
USPC **D15/89**

(58) **Field of Classification Search**
USPC D15/79, 81, 83, 84, 85, 86, 87, 88, 89,
D15/90; D7/354, 360, 543, 545
CPC F25B 21/02; F25B 2321/02; F25B 1/005;
F25B 2321/0252; F25B 1/00; F25B 1/10;
F25B 21/04; F25B 2339/047; F25B 5/02;
F25B 7/00; F25B 13/00; F25B 1/053; F25B
2309/06; F25B 2321/021; F25B 2321/023;
F25D 23/028; F25D 23/02; F25D 25/025;
F25D 23/00; F25D 2323/021; F25D 11/00;
F25D 2323/024; F25D 23/04; F25D 29/00;

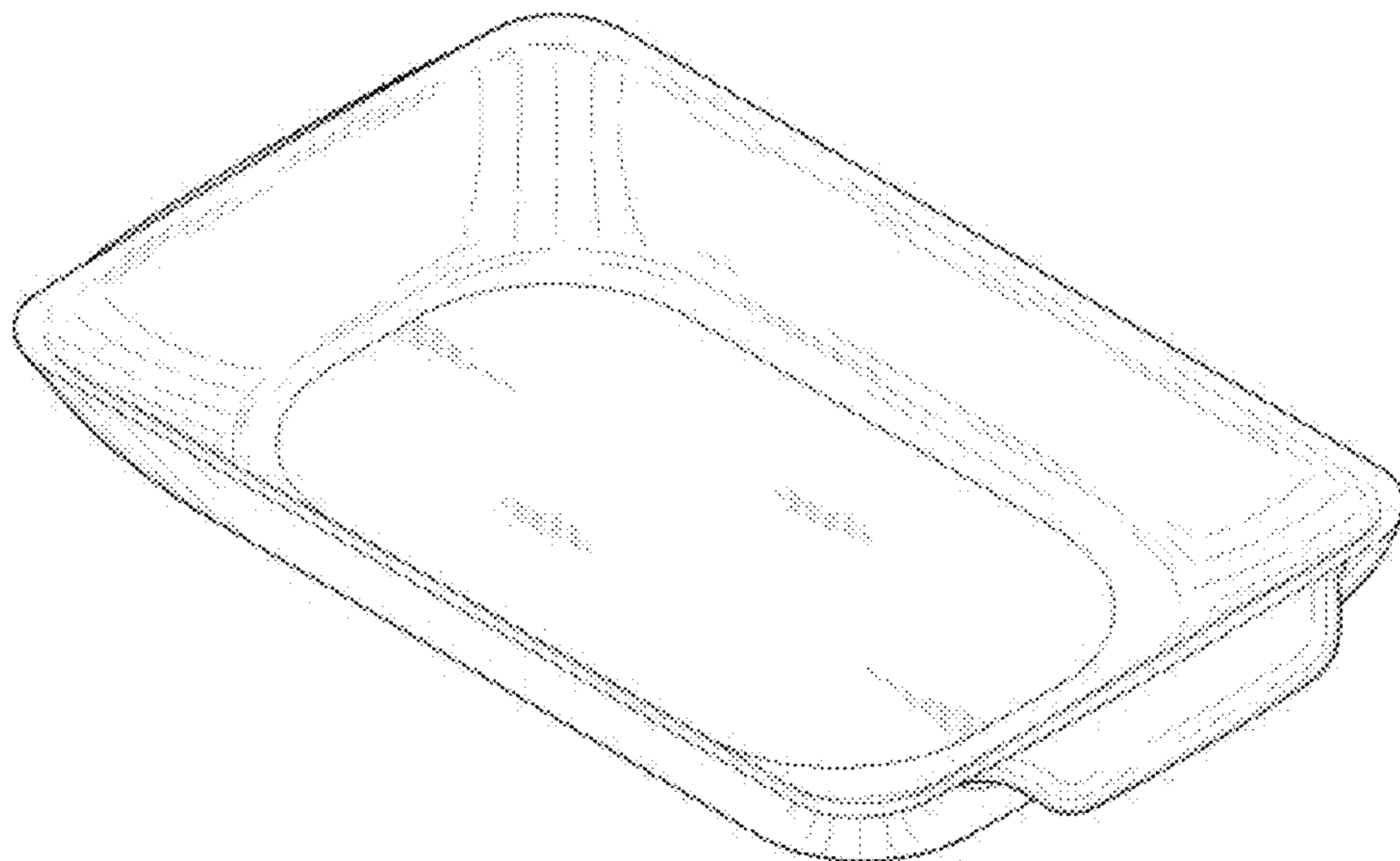
(57) **CLAIM**

The ornamental design for a tray for refrigerator, as shown and described.

DESCRIPTION

FIG. 1 is the front perspective view of a tray for refrigerator showing our new design;
FIG. 2 is a front view thereof;
FIG. 3 is a rear view thereof;
FIG. 4 is a left-side view thereof;
FIG. 5 is a right-side view thereof;
FIG. 6 is a top plan view thereof;
FIG. 7 is a bottom plan view thereof; and,
FIG. 8 is a cross sectional view of FIG. 6.
The broken lines shown in the drawings represent unclaimed portions.

1 Claim, 8 Drawing Sheets



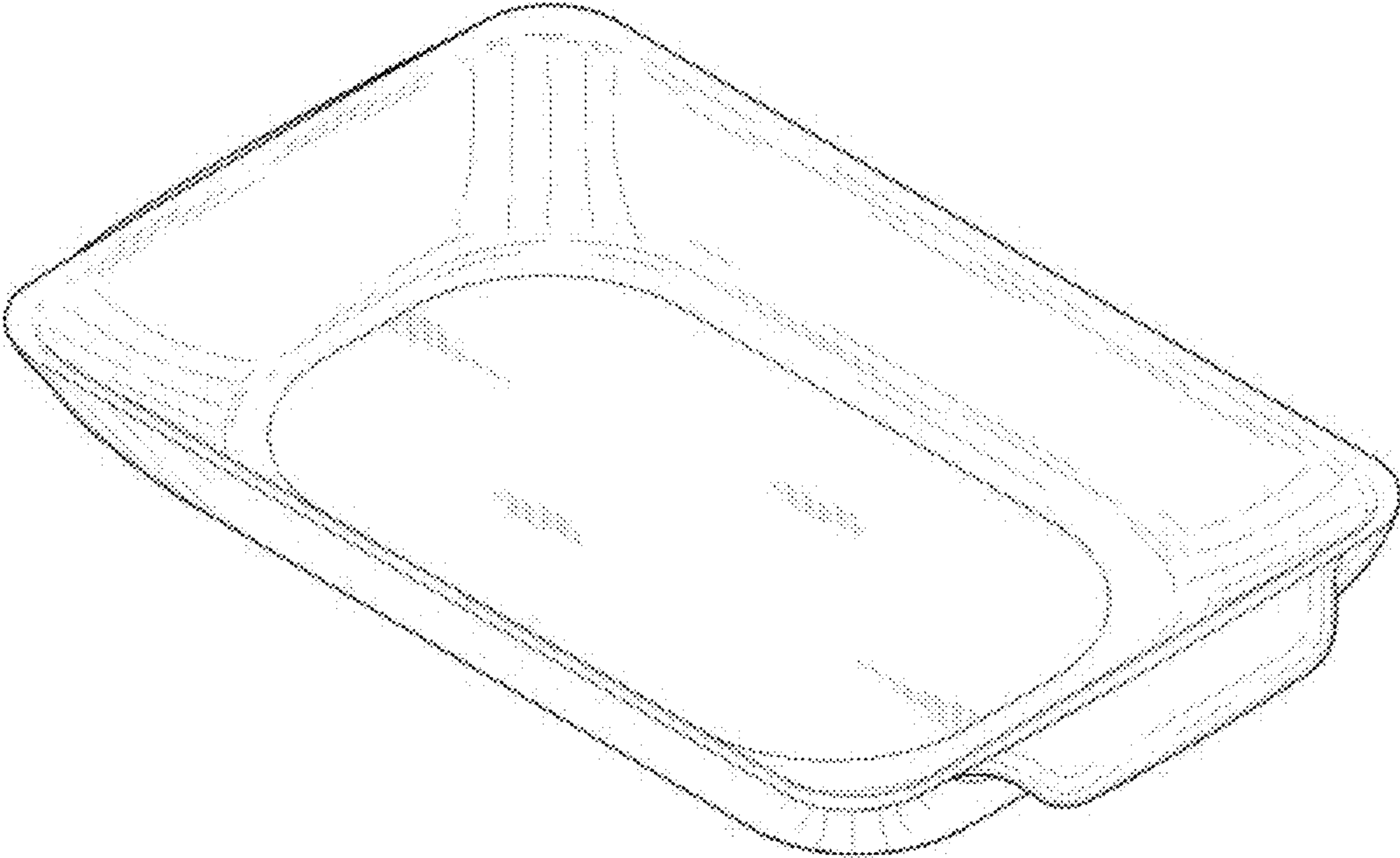


FIG. 1

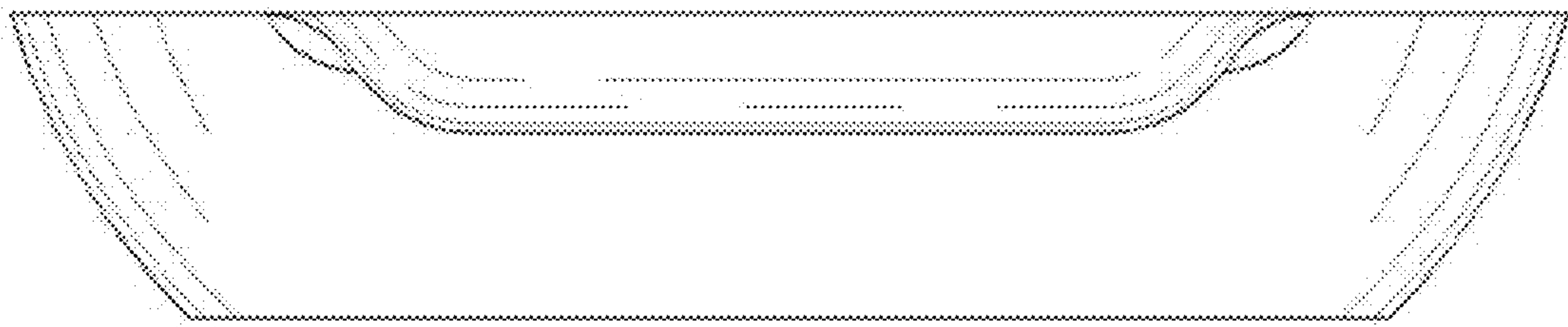


FIG. 2

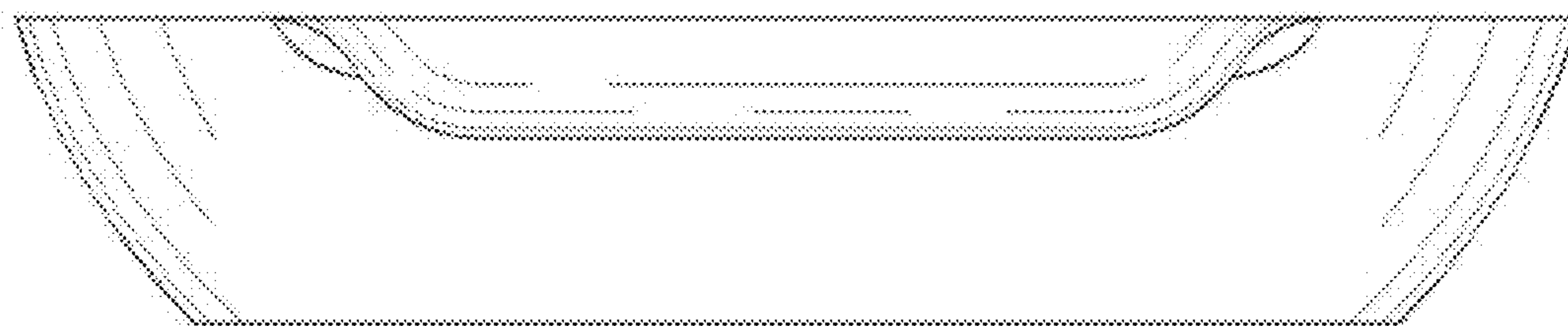


FIG. 3

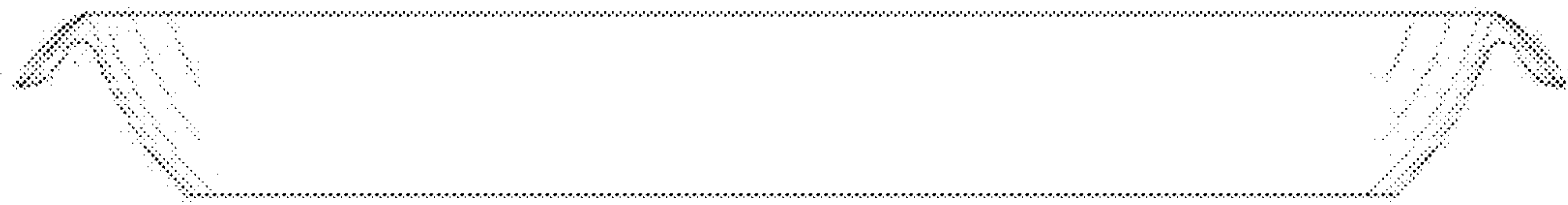


FIG. 4



FIG. 5

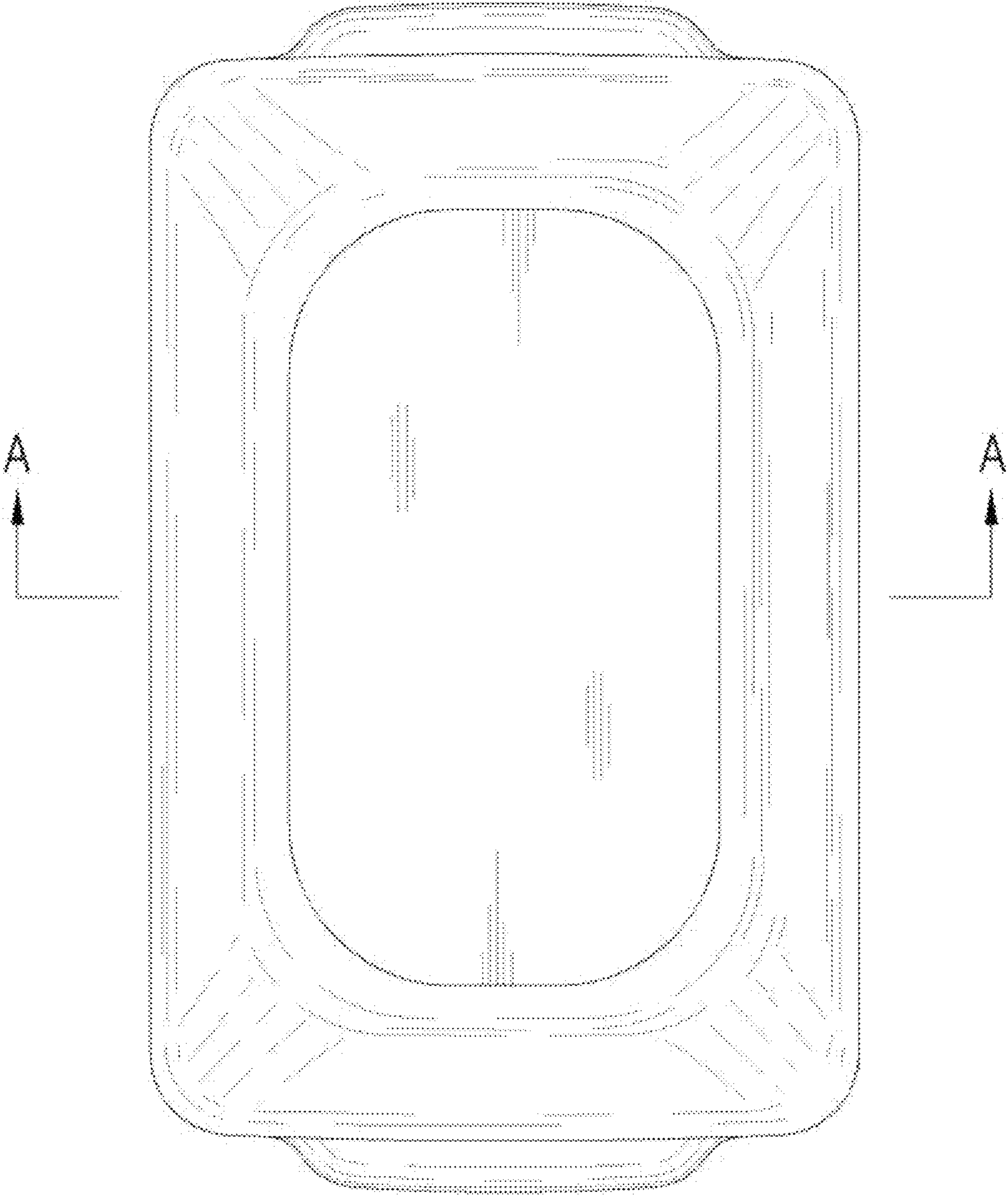


FIG. 6

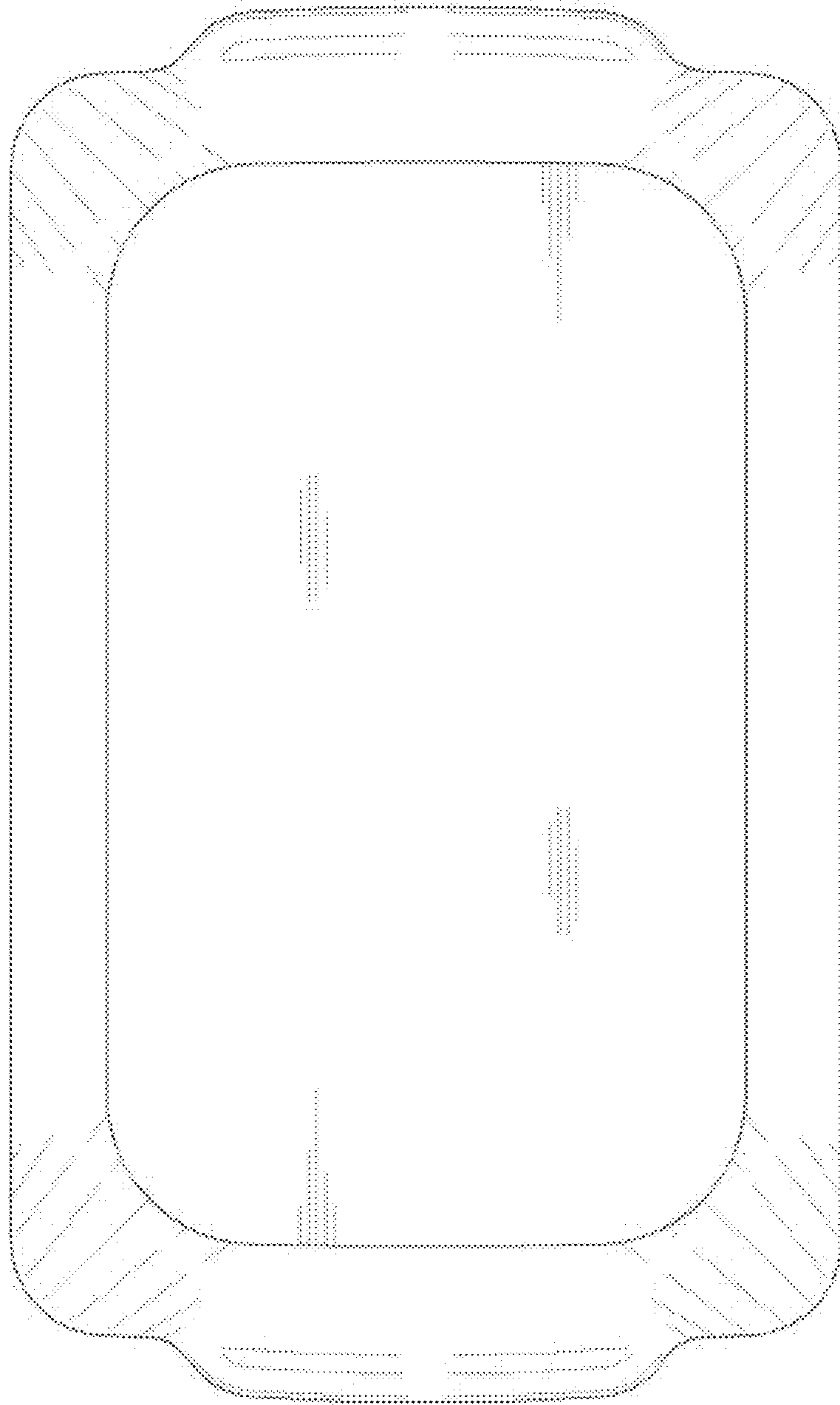


FIG. 7



FIG. 8