

US00D733769S

(12) **United States Design Patent**
Zorovich et al.

(10) **Patent No.:** **US D733,769 S**
(45) **Date of Patent:** **** Jul. 7, 2015**

(54) **ICE CREAM MAKER**

(71) Applicant: **PROPELLER, INC.**, Hoboken, NJ (US)

(72) Inventors: **Kenneth D. Zorovich**, Hoboken, NJ (US); **John C. Earle**, Annapolis, MD (US); **Yos Kumthampinij**, Edgewater, NJ (US); **William Nickley**, Jersey City, NJ (US)

(73) Assignee: **Propeller, Inc.**, Hoboken, NJ (US)

(**) Term: **14 Years**

(21) Appl. No.: **29/486,076**

(22) Filed: **Mar. 26, 2014**

(51) **LOC (10) Cl.** **15-07**

(52) **U.S. Cl.**
USPC **D15/82**

(58) **Field of Classification Search**
USPC D15/79, 80, 81, 82, 89, 90; D11/143, D11/144, 152; D7/509, 523, 396.6
CPC F25B 21/02; F25B 2321/02; F25B 1/005; F25B 2321/0252; F25B 1/00; F25B 1/10; F25B 21/04; F25B 2339/047; F25B 5/02; F25B 7/00; F25B 13/00; F25B 1/053; F25B 2309/06; F25B 2321/021; F25B 2321/023; F25D 23/028; F25D 23/02; F25D 25/025; F25D 23/00; F25D 2323/021; F25D 11/00; F25D 2323/024; F25D 23/04; F25D 29/00; F25D 25/02; F25D 25/024; F25D 27/005; F25D 23/12; F25D 29/005; F25D 17/042; F25D 2325/021

See application file for complete search history.

(56) **References Cited**

U.S. PATENT DOCUMENTS

2,317,067 A 4/1943 Knaust
D185,302 S 5/1959 Mitzenmacher

D188,992 S 10/1960 Morrison
3,161,031 A 12/1964 Flannery
3,535,889 A 10/1970 Curti
4,392,803 A 7/1983 Cross et al.
4,550,575 A 11/1985 DeGaynor
4,815,287 A 3/1989 O'Daniel
D305,193 S 12/1989 Sajadieh
D418,720 S 1/2000 Lillelund et al.
6,190,226 B1 2/2001 Conconi
6,301,919 B1 10/2001 Blaustein et al.
D454,757 S 3/2002 Lack
6,370,904 B2 4/2002 Tchougounov et al.
D457,389 S 5/2002 Snell

(Continued)

FOREIGN PATENT DOCUMENTS

EP 1391173 A2 2/2004
GB 402325 11/1933

(Continued)

Primary Examiner — Daniel Bui
Assistant Examiner — Khawaja Anwar

(74) *Attorney, Agent, or Firm* — Greenberg Traurig, LLP

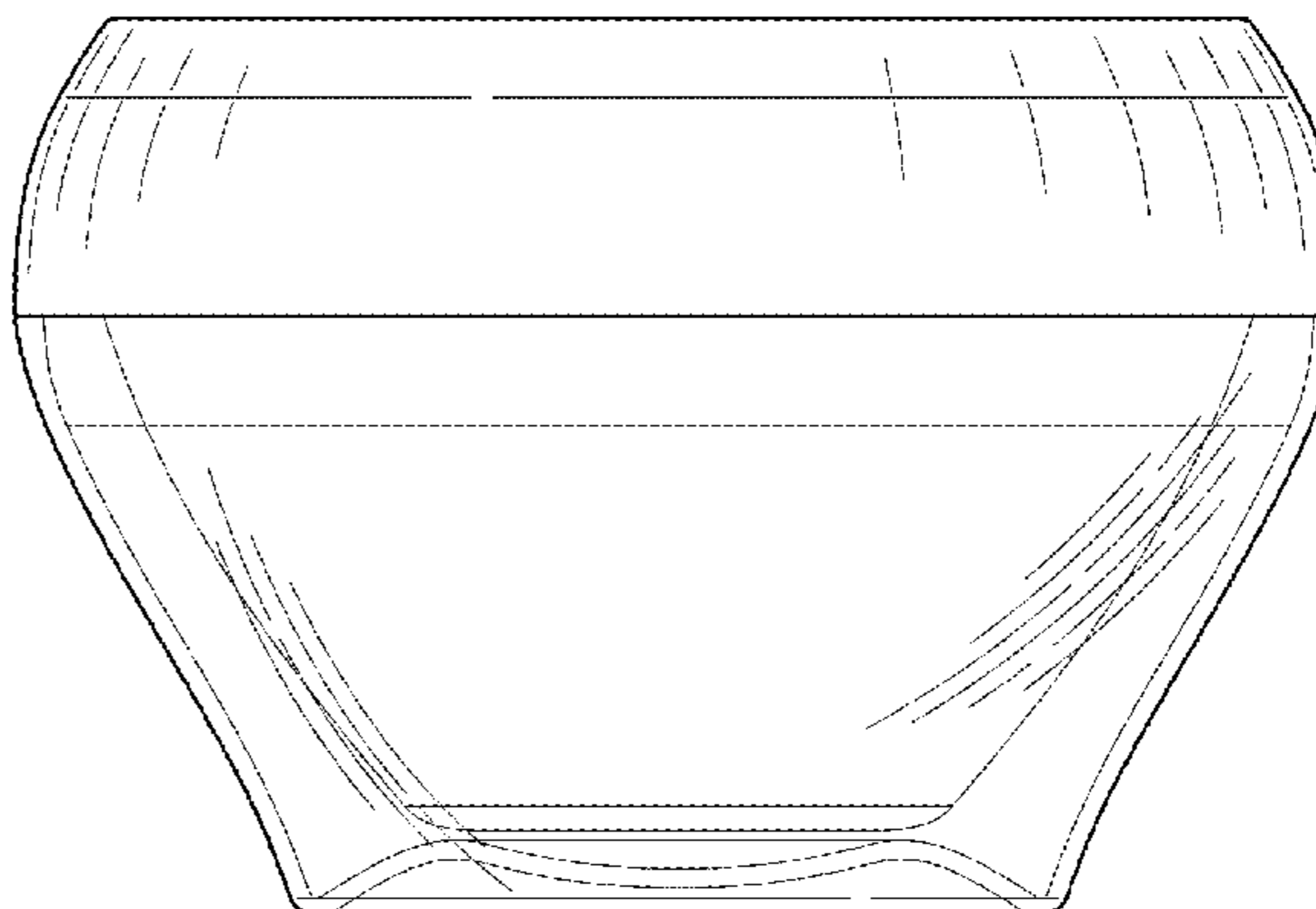
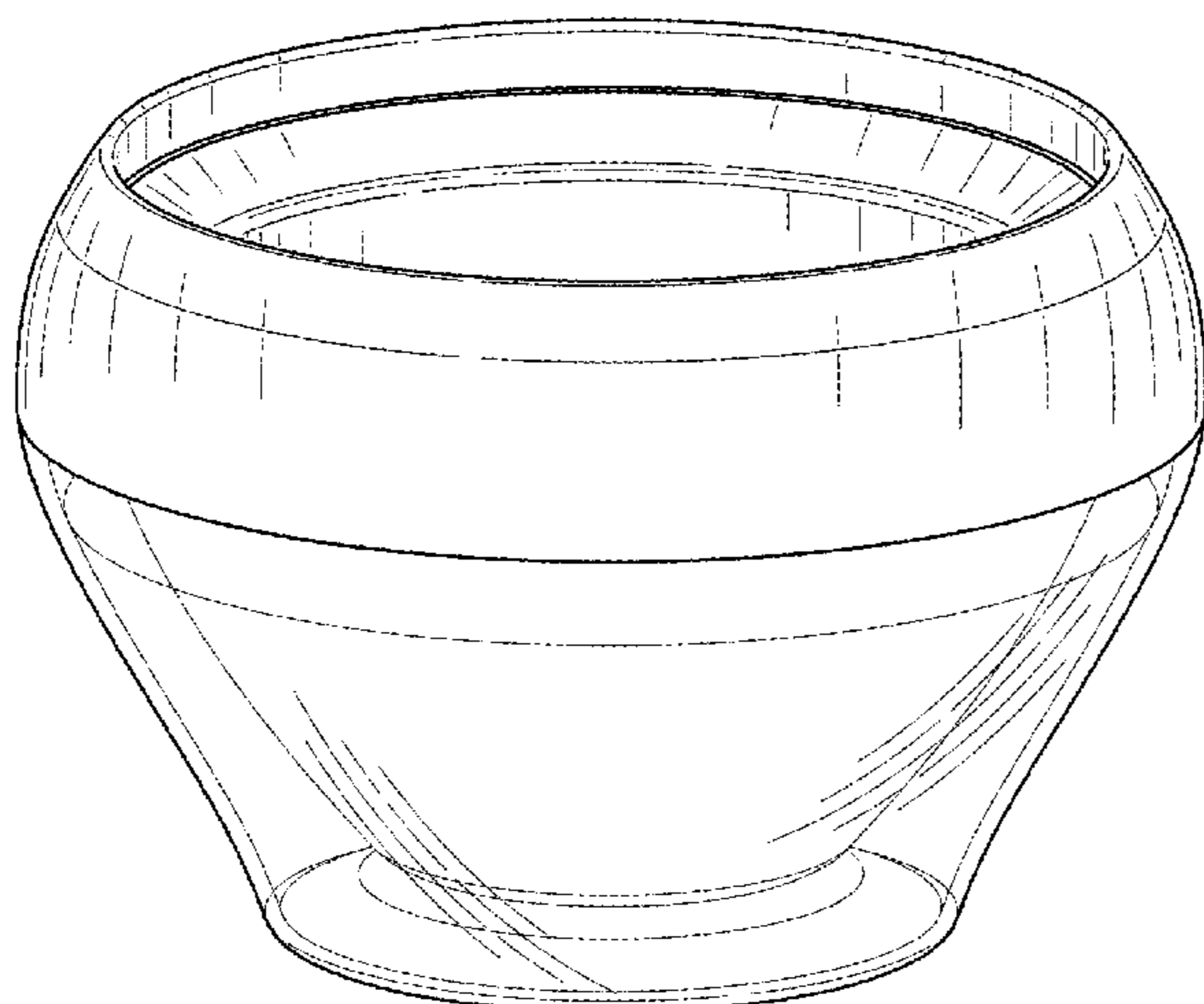
(57) **CLAIM**

An ornamental design for an ice cream maker, as shown and described.

DESCRIPTION

FIG. 1 is a perspective view of an ice cream maker, showing our new design;
FIG. 2 is a front elevation view thereof; the rear side, left side, and right side elevation views are mirror images thereto;
FIG. 3 is a bottom plan view thereof;
FIG. 4 is a top plan view thereof;
FIG. 5 is an exploded perspective view thereof;
FIG. 6 is a front elevation view thereof; the rear side, left side, and right side elevation views are mirror images thereto;
FIG. 7 is a top plan view thereof; and,
FIG. 8 is a bottom plan view thereof.

1 Claim, 6 Drawing Sheets



(56)

References Cited

U.S. PATENT DOCUMENTS

D457,782 S 5/2002 Snell
 6,453,682 B1 9/2002 Jennings et al.
 D506,640 S 6/2005 Marck et al.
 D550,509 S 9/2007 Dretzka
 D557,073 S 12/2007 Snell
 D572,168 S * 7/2008 Kurtz D11/152
 D613,132 S 4/2010 Frank
 D623,898 S 9/2010 Snell
 D626,307 S 11/2010 Zorovich et al.
 D626,384 S 11/2010 Zorovich et al.
 D630,407 S 1/2011 Zorovich et al.
 D634,988 S 3/2011 Zorovich et al.
 D637,035 S 5/2011 Zorovich et al.
 D640,120 S 6/2011 Zorovich et al.
 D642,022 S 7/2011 Zorovich et al.
 D655,147 S 3/2012 Zorovich et al.

D658,456 S 5/2012 Zorovich et al.
 D658,948 S 5/2012 Zorovich et al.
 8,430,658 B2 4/2013 Zorovich et al.
 D689,746 S 9/2013 Zorovich et al.
 D689,747 S 9/2013 Zorovich et al.
 D690,169 S 9/2013 Zorovich et al.
 D714,589 S * 10/2014 Uchida D7/523
 D723,418 S * 3/2015 Thuma et al. D11/143
 D725,970 S * 4/2015 Karussi et al. D7/523
 D727,101 S * 4/2015 Oas D7/523
 2004/0076727 A1 4/2004 L'Hommedieu
 2005/0072321 A1 4/2005 Larsen

FOREIGN PATENT DOCUMENTS

JP 2003116467 4/2003
 WO WO2010/083045 A1 7/2010

* cited by examiner

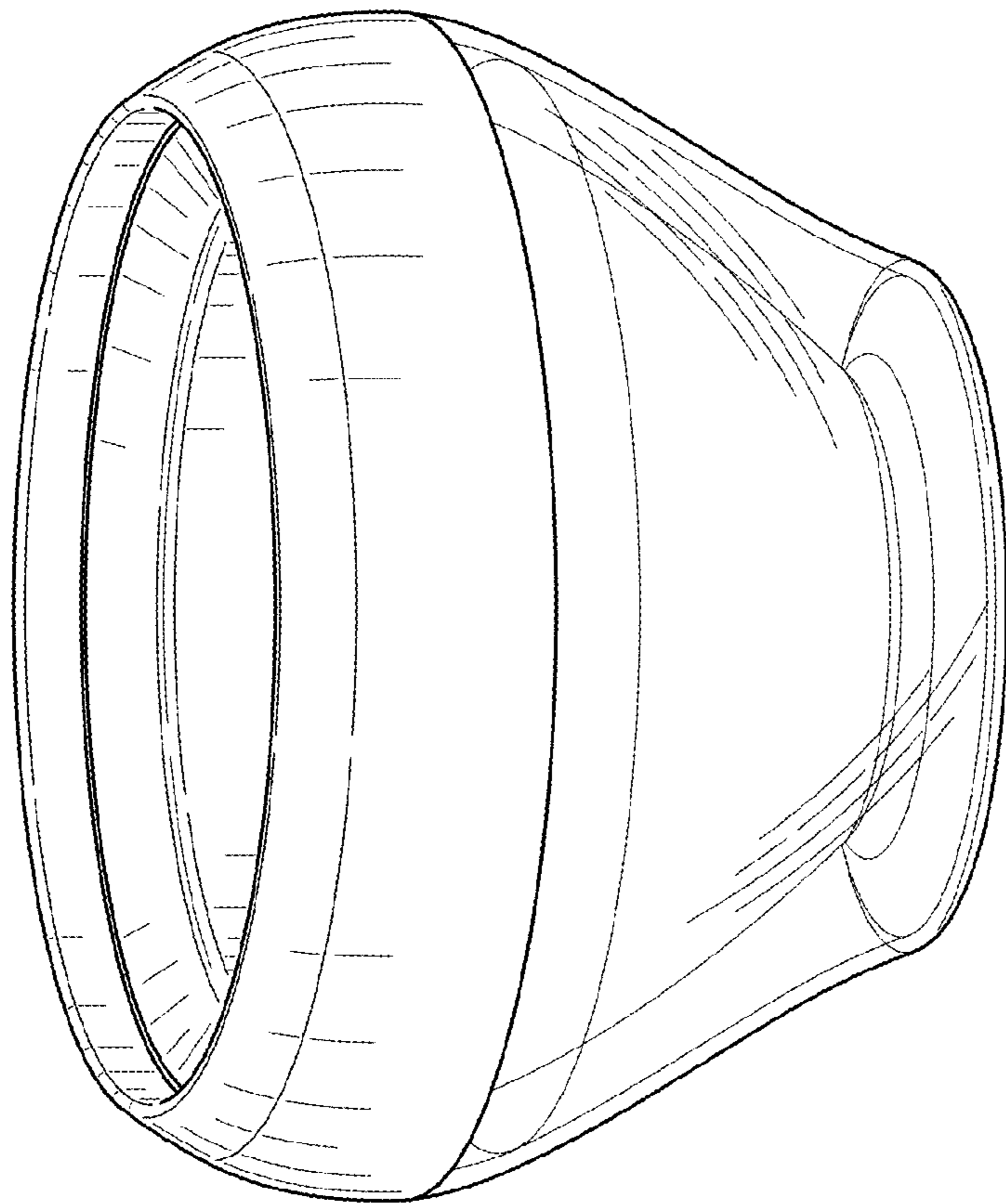


FIG. 1

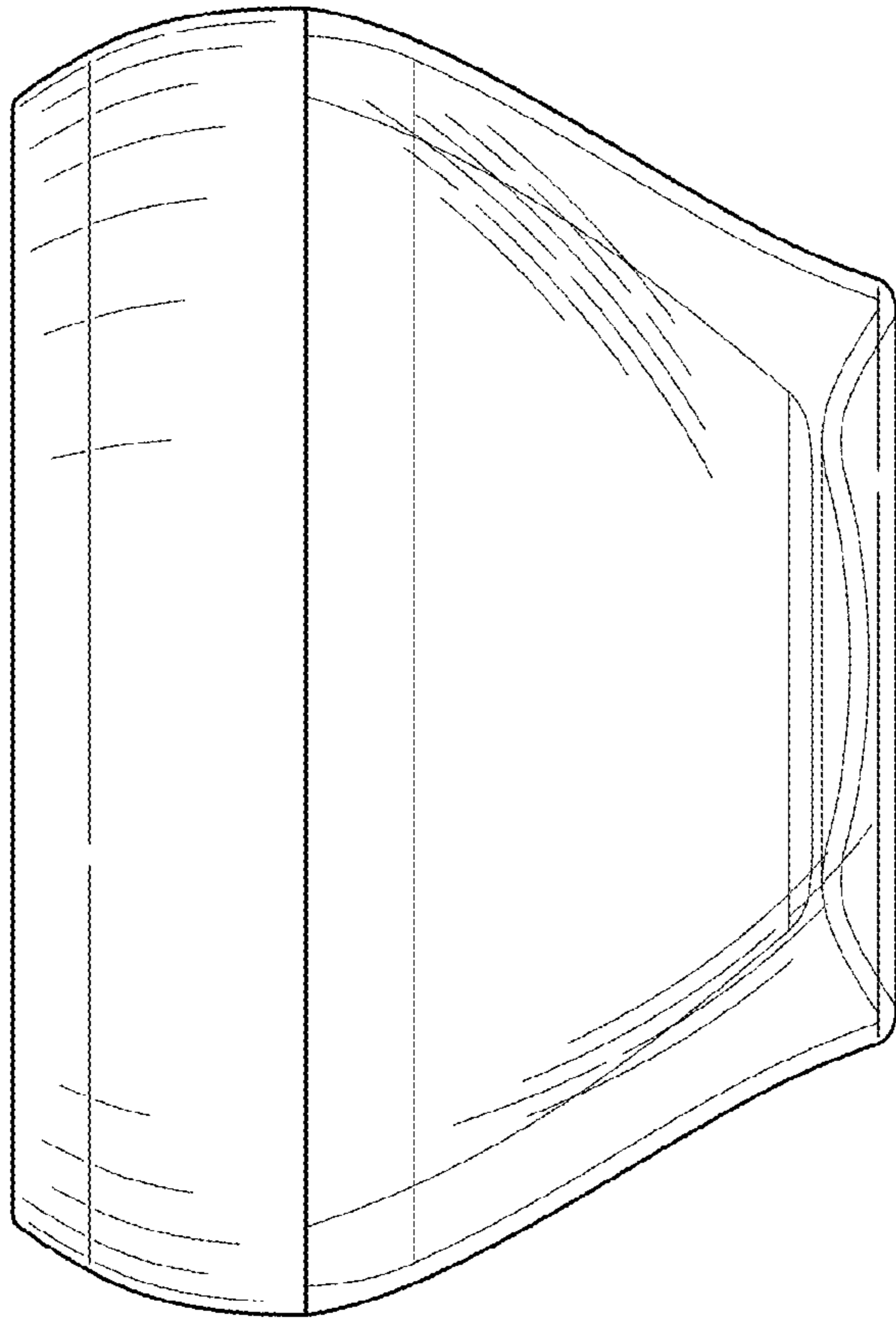


FIG. 2

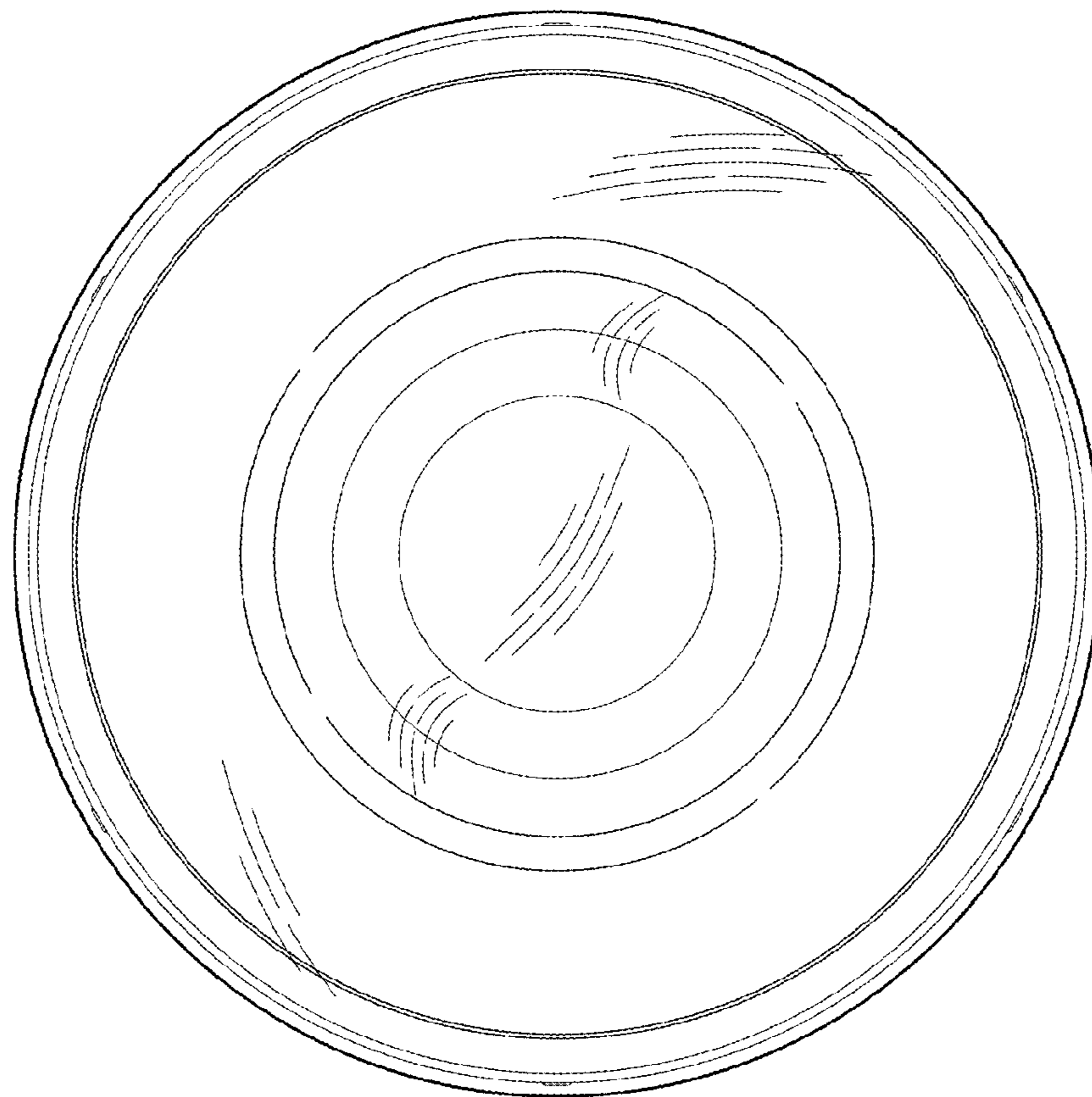


FIG. 4

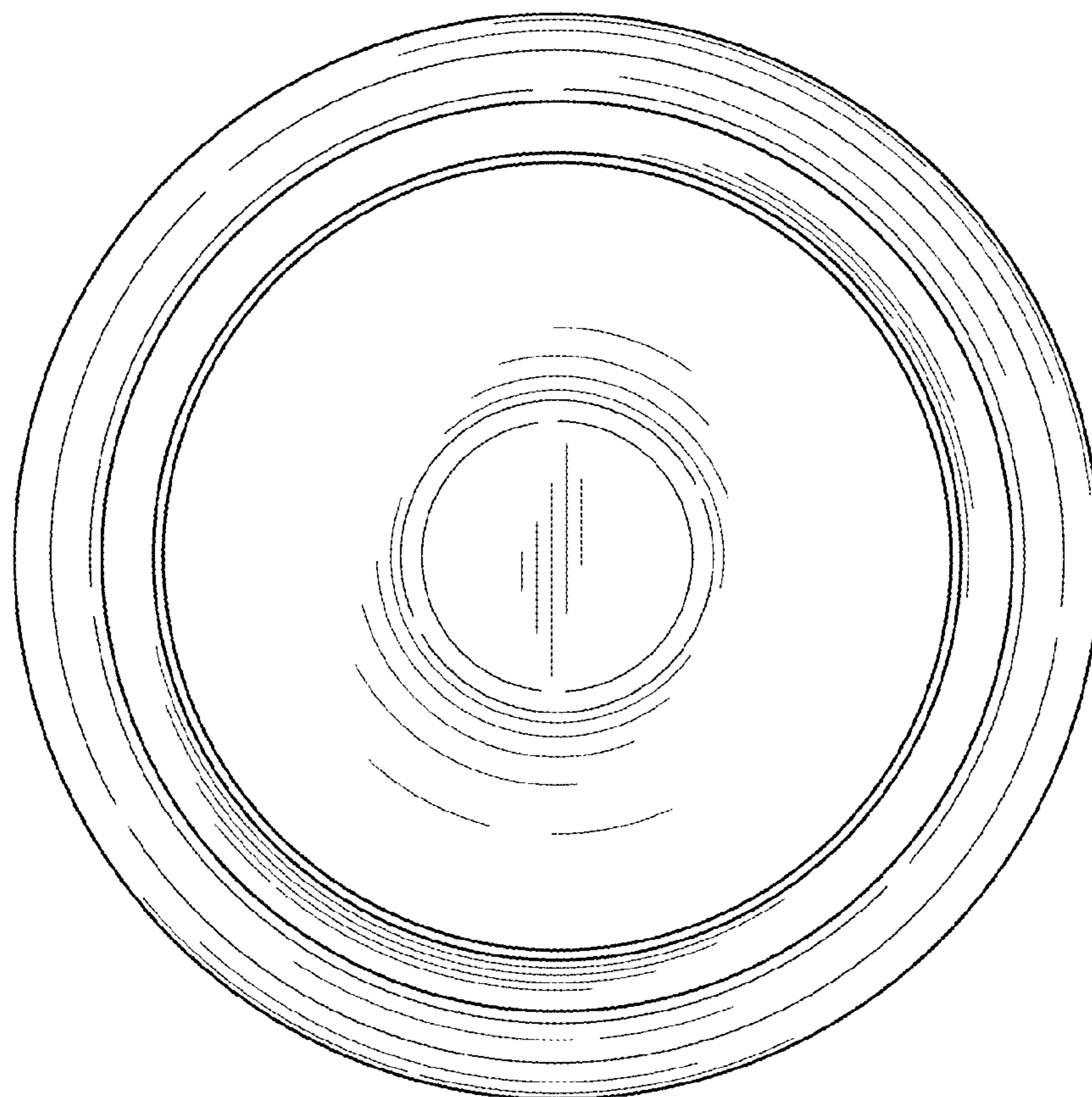


FIG. 3

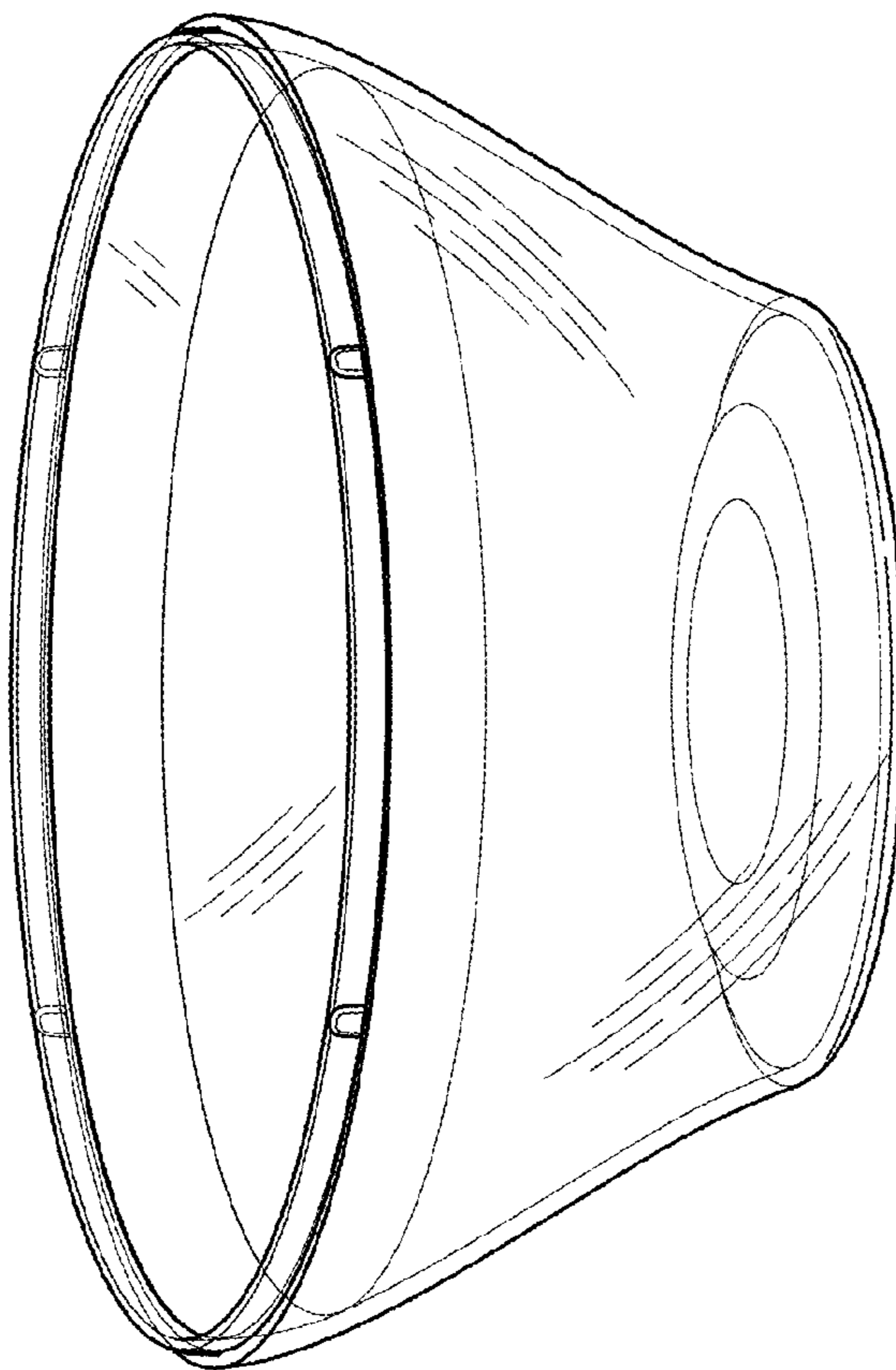
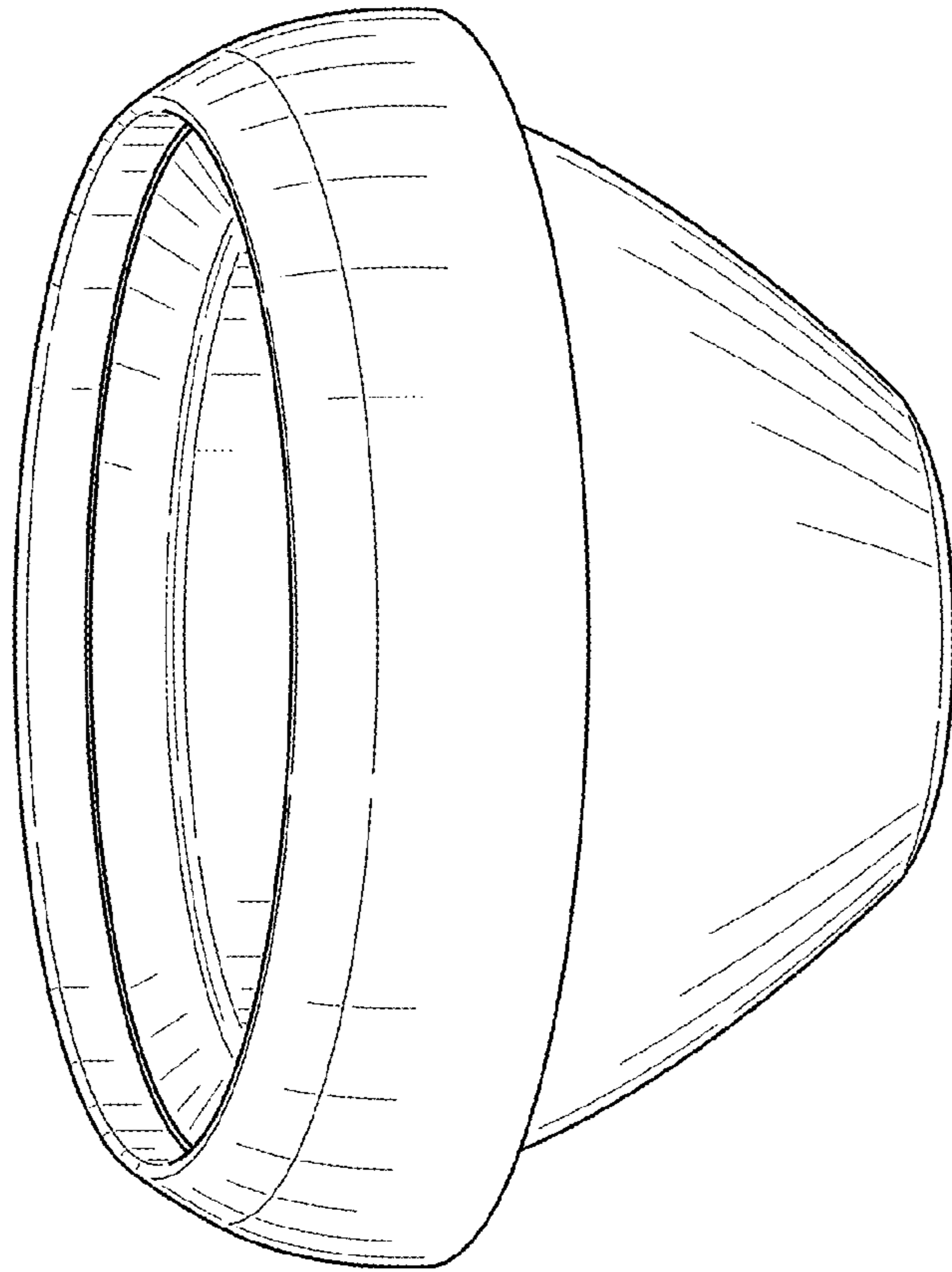


FIG. 5

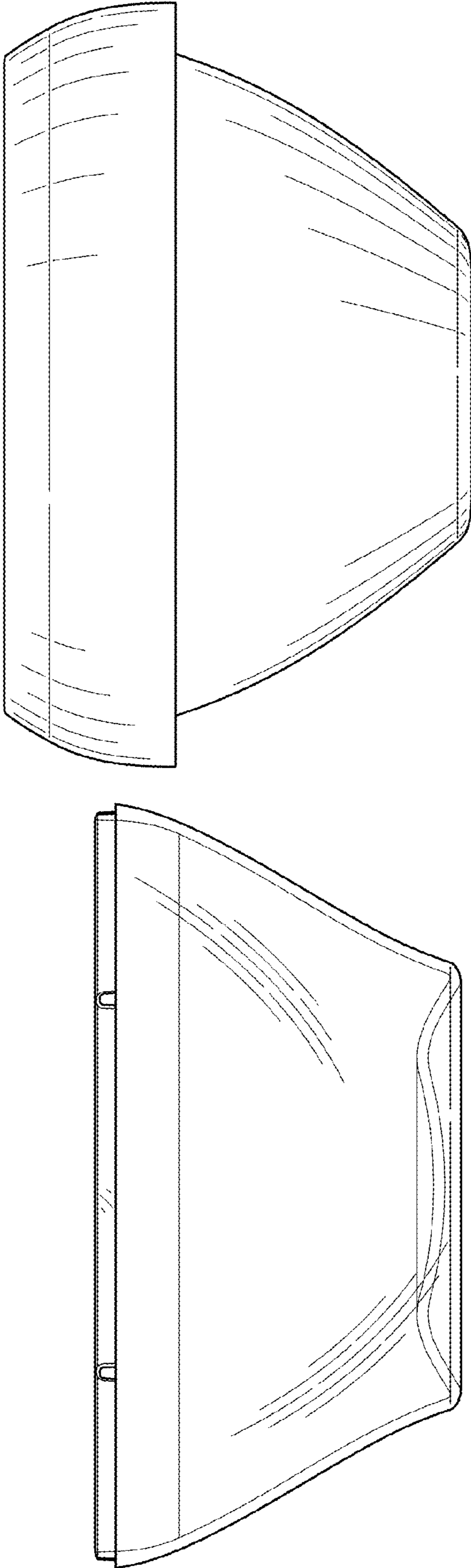


FIG. 6

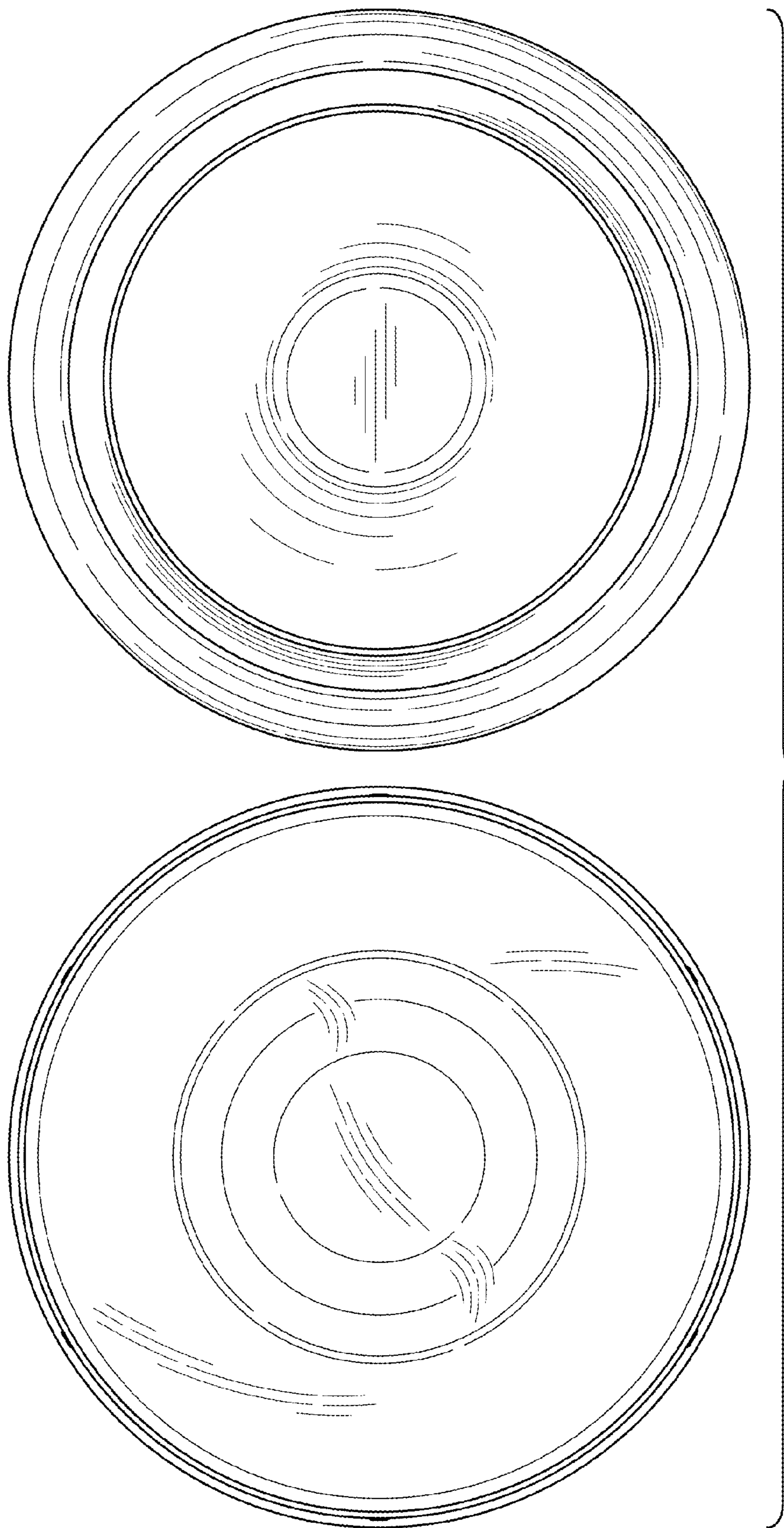


FIG. 7

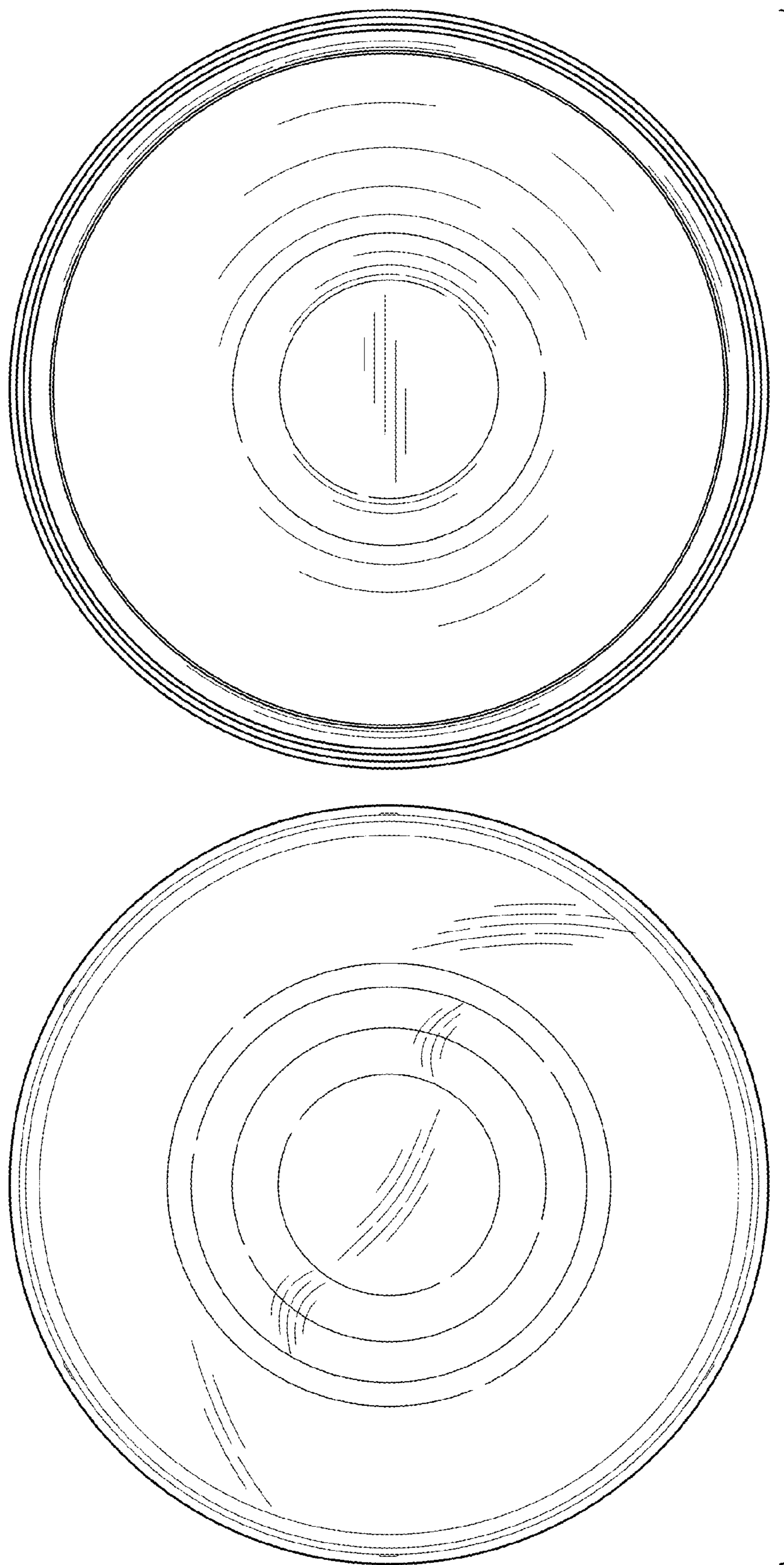


FIG. 8