



US00D733768S

(12) **United States Design Patent**
Resch

(10) **Patent No.:** **US D733,768 S**
(45) **Date of Patent:** **** Jul. 7, 2015**

- (54) **REFRIGERATING APPARATUS**
- (71) Applicant: **Reinhold Resch**, St. Peter (AT)
- (72) Inventor: **Reinhold Resch**, St. Peter (AT)
- (73) Assignee: **AHT Cooling Systems GmbH**,
Rottenmann (AU)

D554,670 S	*	11/2007	Jorgensen	D15/81
D633,532 S	*	3/2011	Horn et al.	D15/81
D662,114 S	*	6/2012	Deproost	D15/81
D673,983 S	*	1/2013	Roberson	D15/89
D678,921 S	*	3/2013	Rinderer et al.	D15/81
D692,467 S	*	10/2013	Brenneis et al.	D15/81
D693,379 S	*	11/2013	Brenneis et al.	D15/81
D701,247 S	*	3/2014	Roberson	D15/89

* cited by examiner

- (**) Term: **14 Years**
- (21) Appl. No.: **29/467,879**
- (22) Filed: **Sep. 24, 2013**

Primary Examiner — Ian Simmons
Assistant Examiner — Khawaja Anwar
 (74) *Attorney, Agent, or Firm* — Hogan Lovells US LLP

(30) **Foreign Application Priority Data**

Mar. 25, 2013 (EP) 002208363-0001

- (51) **LOC (10) Cl.** **15-07**
- (52) **U.S. Cl.**
USPC **D15/81**
- (58) **Field of Classification Search**
USPC D15/79–89; 312/400–408, 116, 236;
108/107, 108, 152; 211/193, 187, 153,
211/134, 207; D25/102, 114; D8/380
See application file for complete search history.

(57) **CLAIM**

The ornamental design for a refrigerating apparatus, as shown and described.

DESCRIPTION

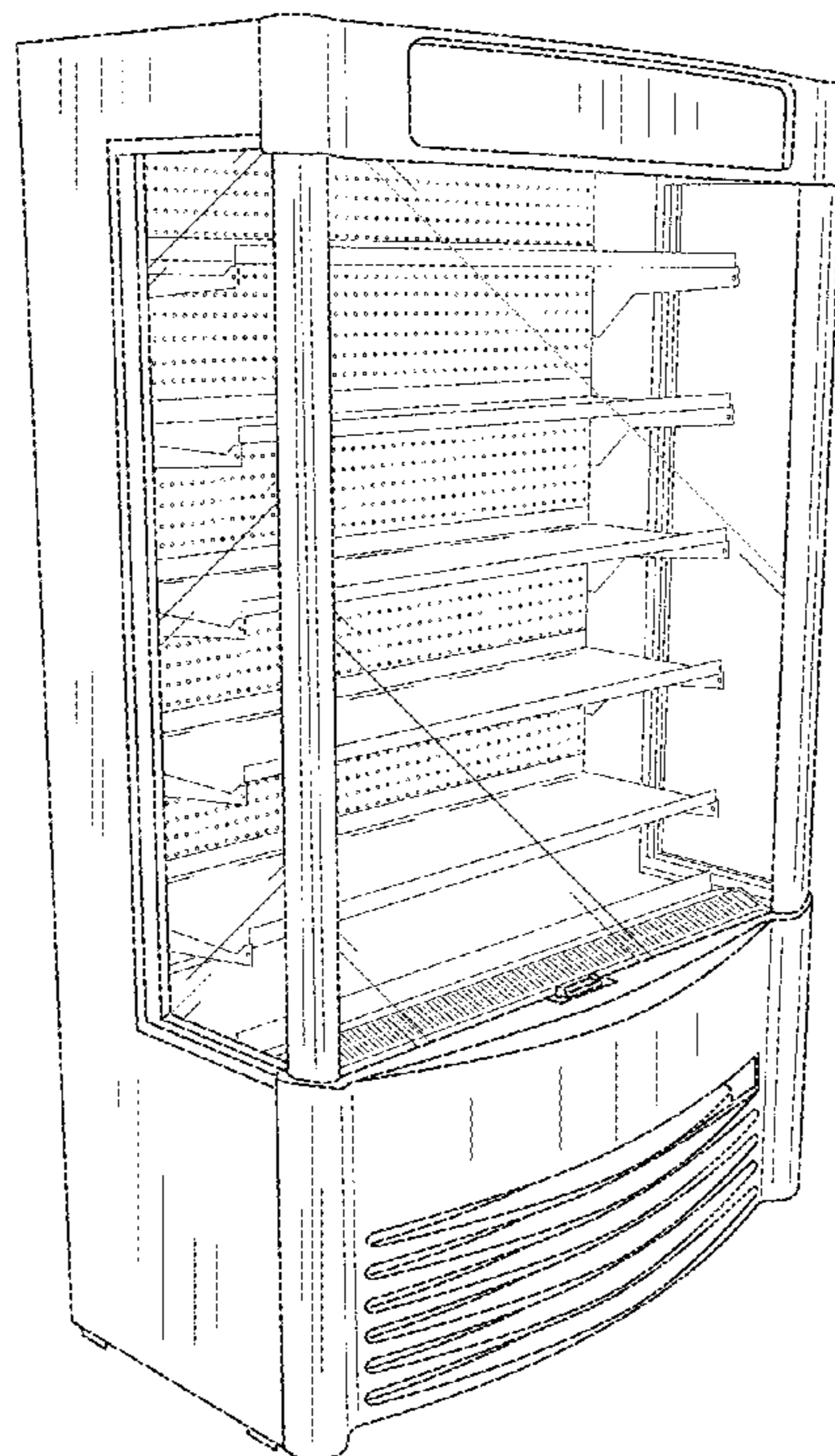
FIG. 1 is a perspective view of a refrigerating apparatus showing the new design;
 FIG. 2 is a back view thereof;
 FIG. 3 is a back bottom view thereof;
 FIG. 4 is a left view thereof;
 FIG. 5 is a right side view thereof;
 FIG. 6 is a top view thereof; and,
 FIG. 7 is a bottom view thereof.
 All broken lines in the figure drawings show unclaimed subject matter and form no part of the claimed design.

(56) **References Cited**

U.S. PATENT DOCUMENTS

D481,742 S	*	11/2003	DeBontridder	D15/81
D513,014 S	*	12/2005	Seki	D15/81

1 Claim, 6 Drawing Sheets



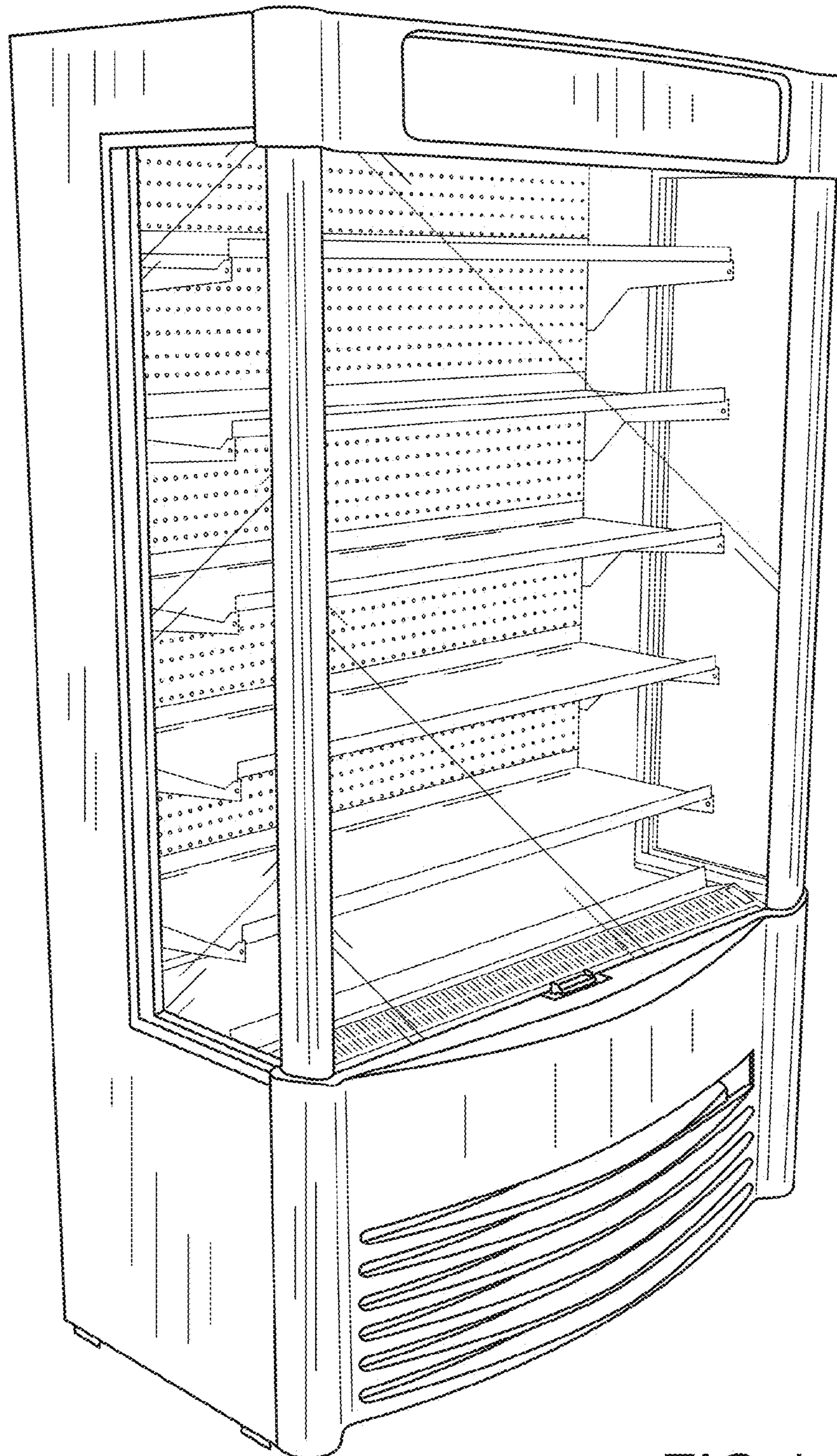


FIG. 1

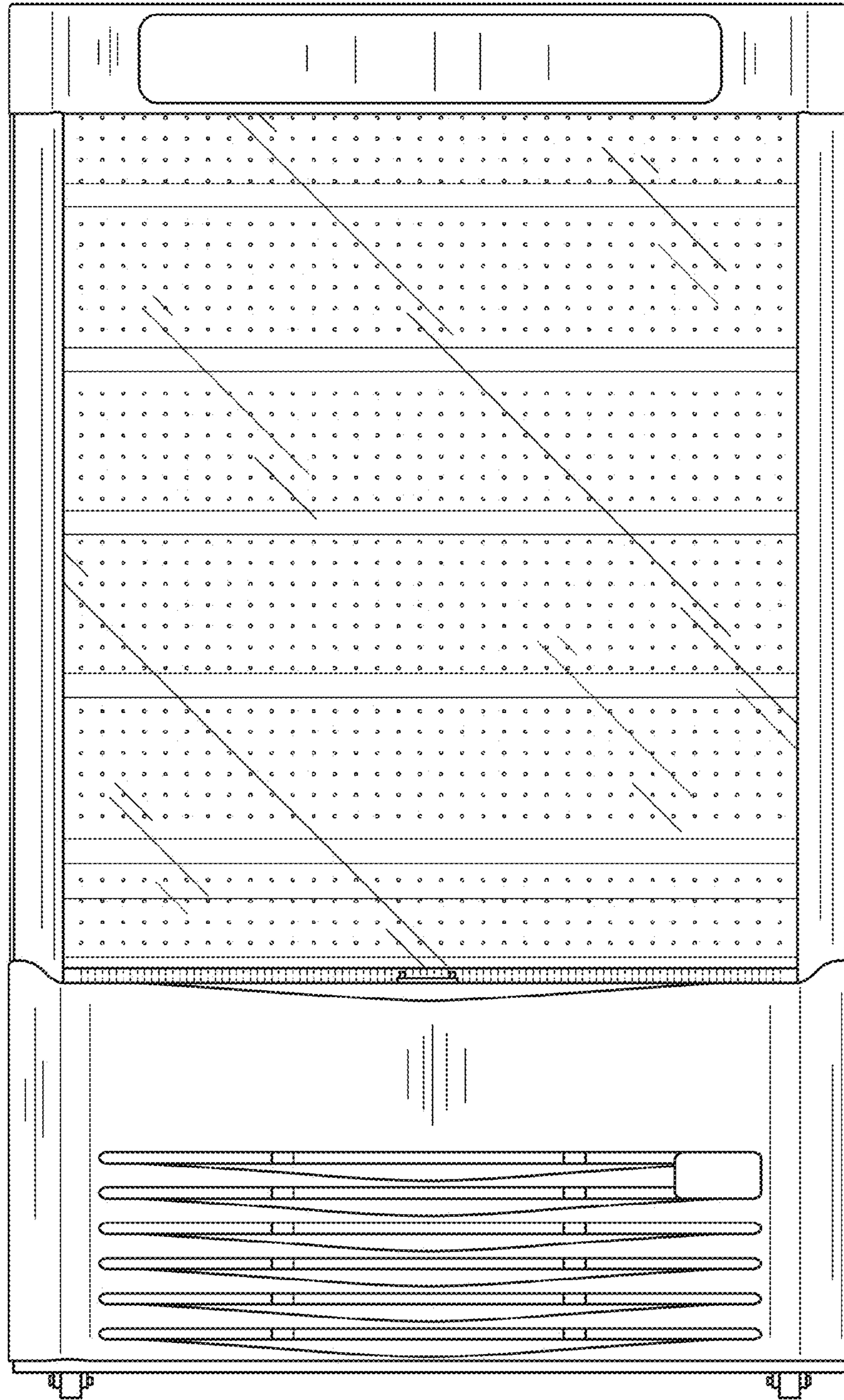


FIG.2

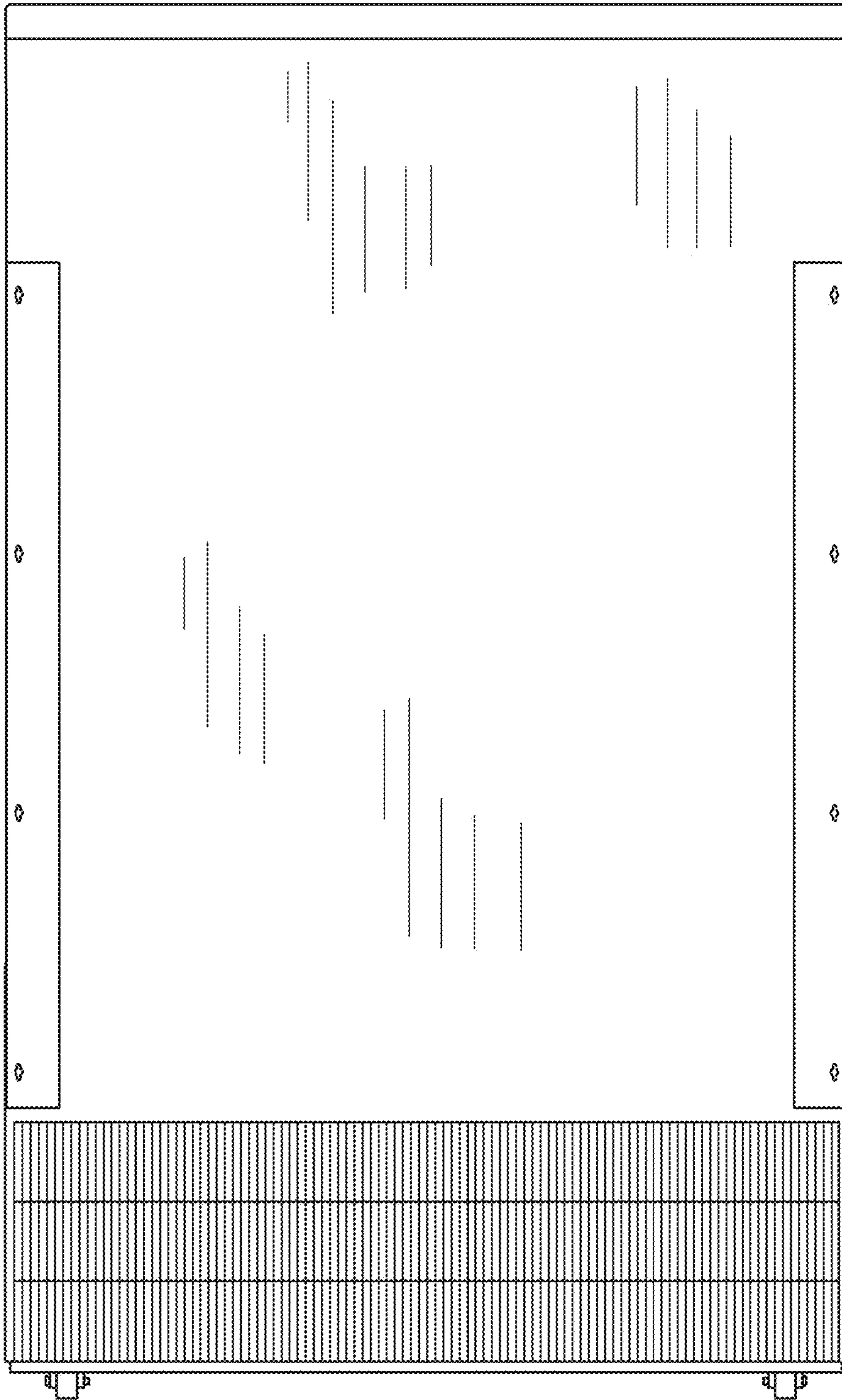


FIG.3

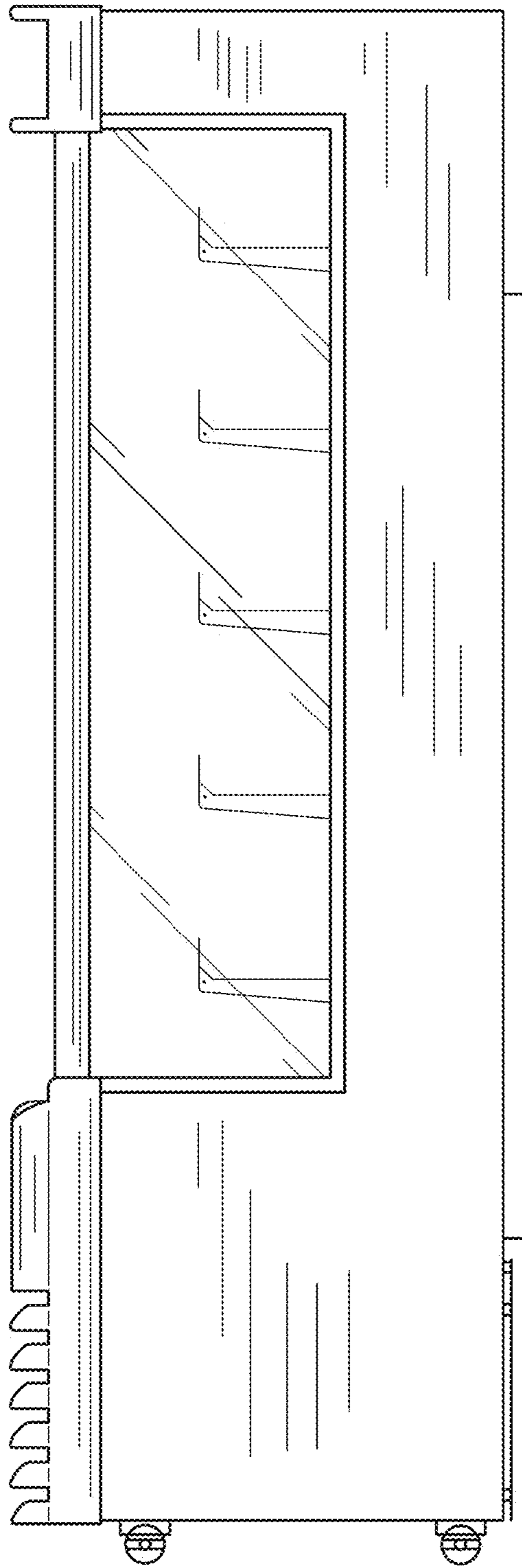


FIG.4

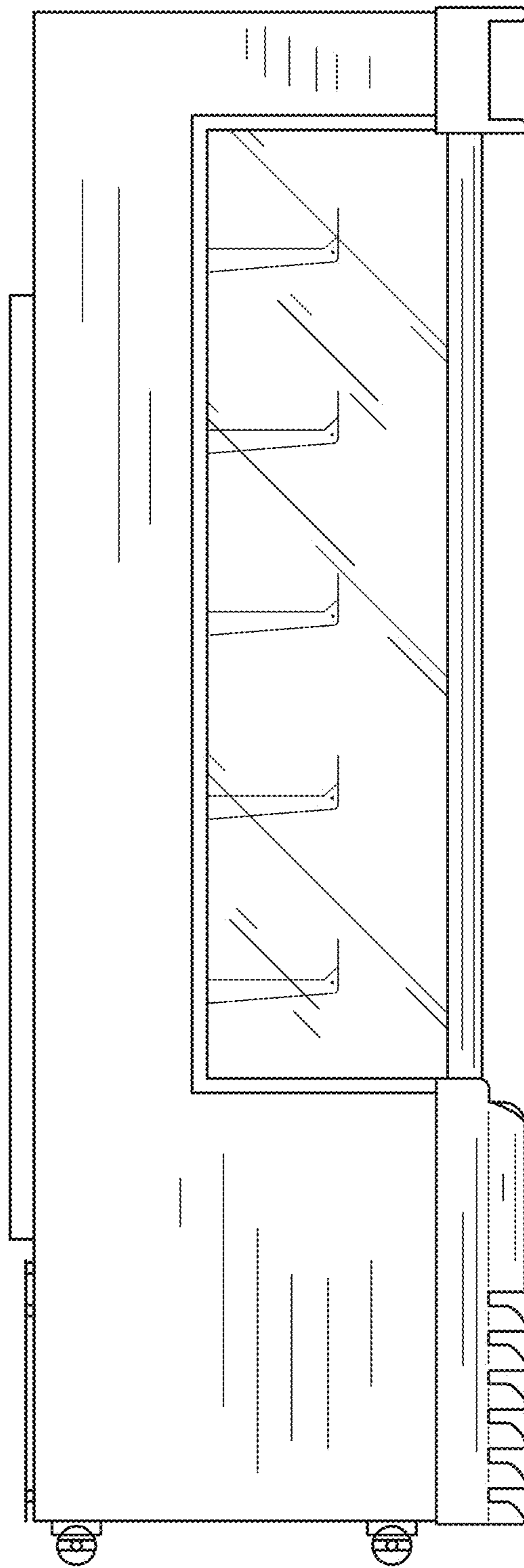


FIG. 5

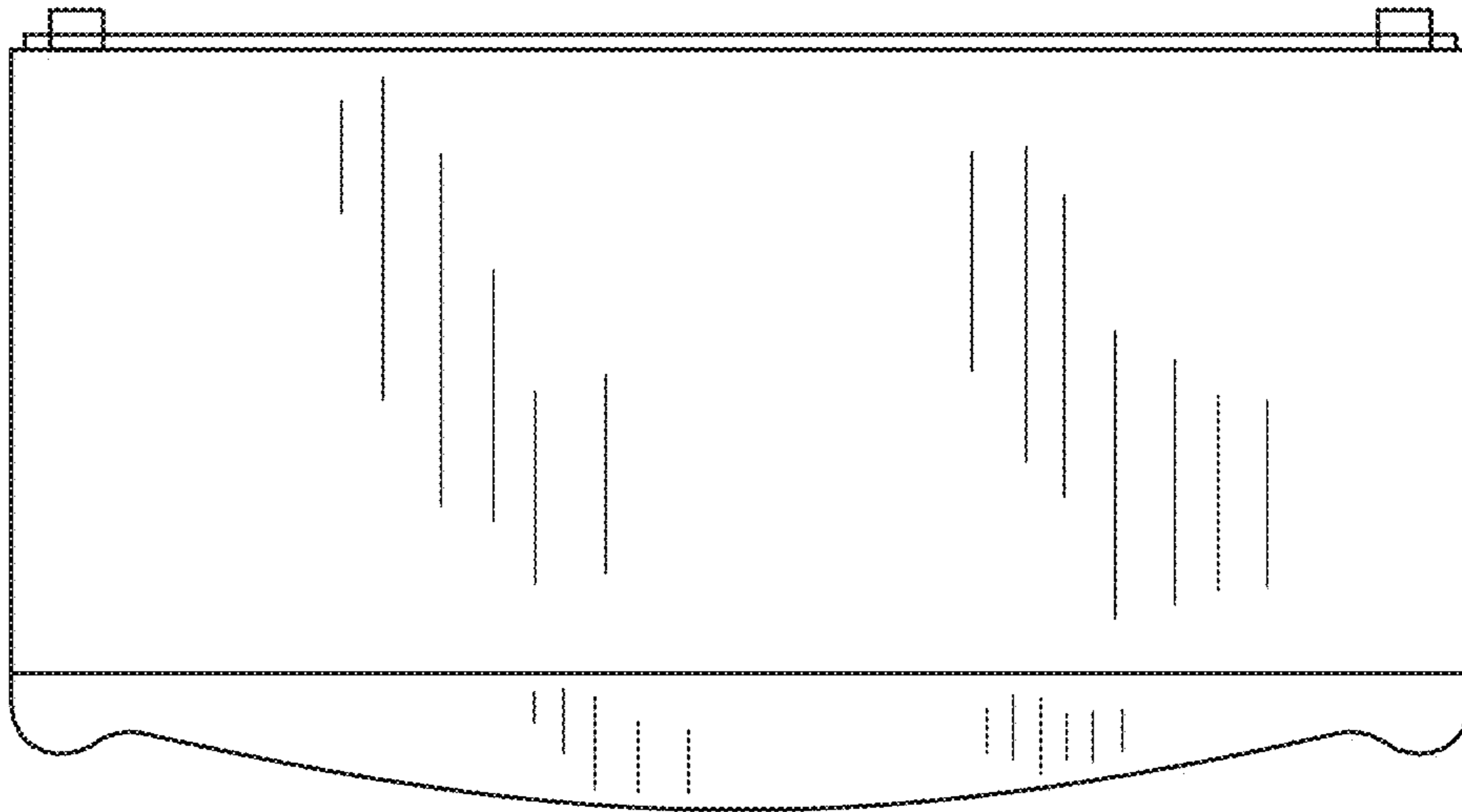


FIG. 6

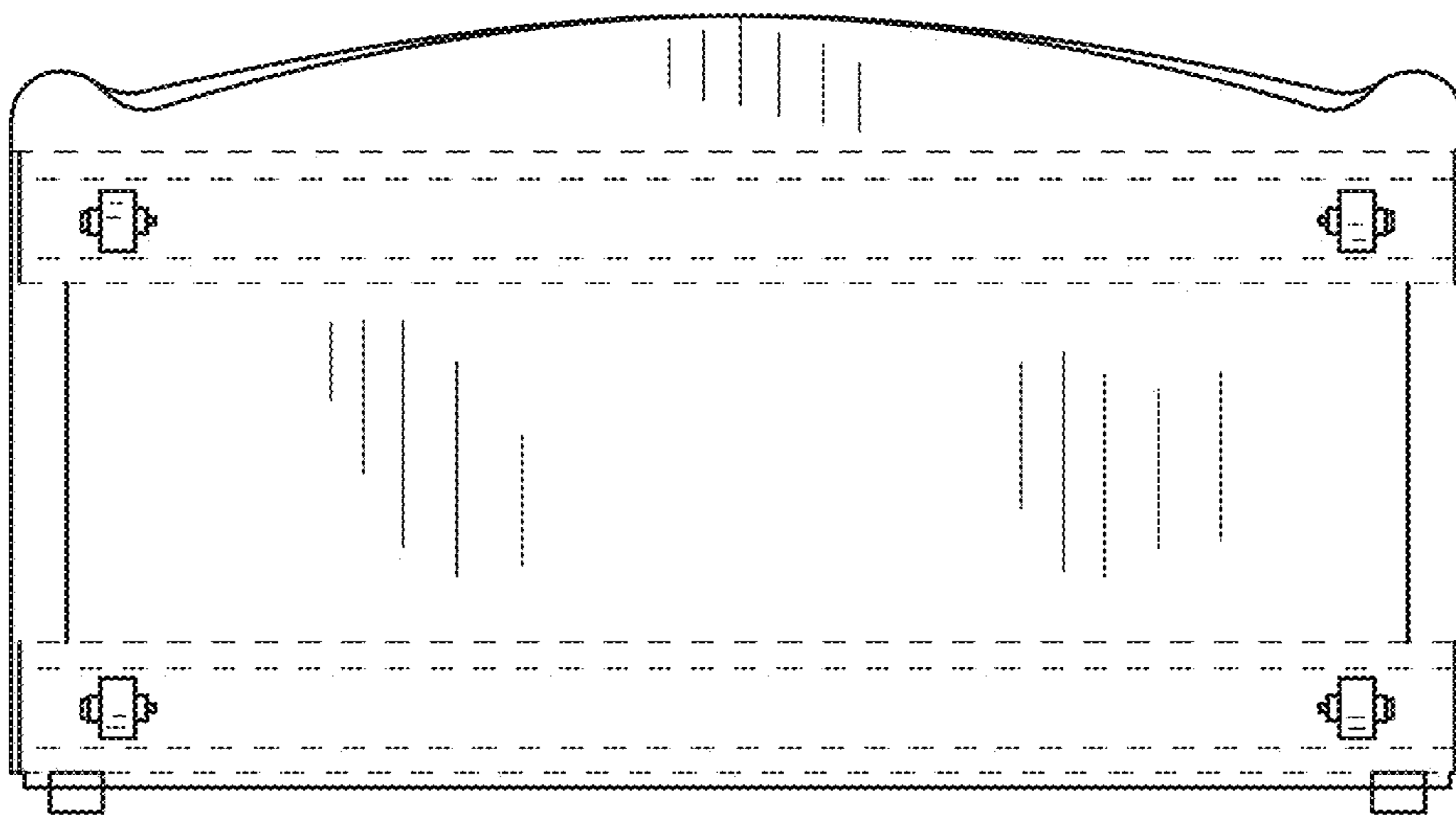


FIG. 7