



US00D733766S

(12) **United States Design Patent**
Sjoback et al.

(10) **Patent No.:** **US D733,766 S**
(45) **Date of Patent:** **** *Jul. 7, 2015**

(54) **JAW PLATE PART IN A JAW CRUSHER**

(56) **References Cited**

(71) Applicant: **SANDVIK INTELLECTUAL
PROPERTY AB**, Sandviken (SE)

U.S. PATENT DOCUMENTS

(72) Inventors: **Roger Sjoback**, Malmo (SE); **Karin
Ljunggren**, Ystad (SE); **Marten
Lindberg**, Malmo (SE)

3,612,421	A *	10/1971	Sabel	241/291
3,984,058	A *	10/1976	Archer et al.	241/264
4,637,562	A *	1/1987	Hagiwara et al.	241/259.2
5,110,058	A *	5/1992	Rawson	241/264
5,799,888	A *	9/1998	Hamaguchi et al.	241/259.1
5,857,630	A *	1/1999	Hamaguchi et al.	241/259.1
6,957,809	B1 *	10/2005	Ferrara et al.	269/283
D555,175	S *	11/2007	Shapiro et al.	D15/28
7,487,930	B2 *	2/2009	Sederberg et al.	241/101.73
8,167,291	B2 *	5/2012	Parks et al.	269/261
2005/0082403	A1 *	4/2005	Boast	241/266
2008/0210793	A1 *	9/2008	Douglas	241/200
2008/0217452	A1 *	9/2008	Douglas	241/259.1
2009/0273132	A1 *	11/2009	Parks et al.	269/261
2012/0018558	A1 *	1/2012	Gervais et al.	241/101.74

(73) Assignee: **SANDVIK INTELLECTUAL
PROPERTY AB**, Sandviken (SE)

(*) Notice: This patent is subject to a terminal disclaimer.

(**) Term: **14 Years**

* cited by examiner

(21) Appl. No.: **29/439,477**

Primary Examiner — Mark Goodwin

(22) Filed: **Dec. 11, 2012**

(74) *Attorney, Agent, or Firm* — Corinne R. Gorski

(30) **Foreign Application Priority Data**

(57) **CLAIM**

Jun. 13, 2012 (EM) 001330674-0001

(51) **LOC (10) Cl.** **15-03**

The ornamental design for jaw plate part in a jaw crusher, as shown and described.

(52) **U.S. Cl.**

USPC **D15/28**

DESCRIPTION

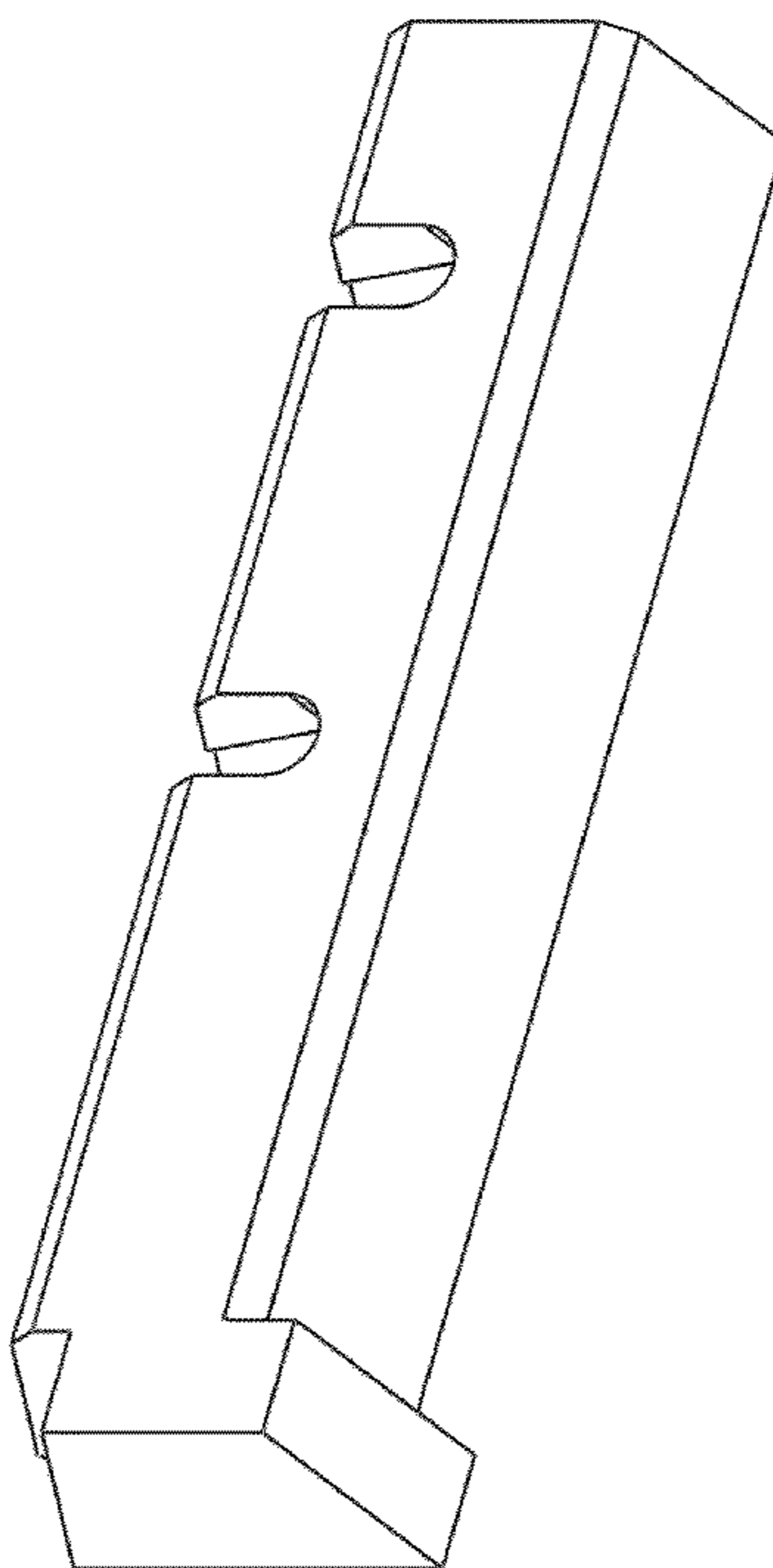
(58) **Field of Classification Search**

USPC D15/28, 29, 123; 241/259.1; 269/261,
269/280, 86

FIG. 1 is a rear perspective view of a jaw plate part in a jaw crusher showing our new design;
FIG. 2 front view thereof;
FIG. 3 is a rear perspective view thereof;
FIG. 4 is a rear perspective view from another side thereof;
FIG. 5 is a front perspective view thereof;
FIG. 6 is a bottom rear perspective view thereof; and,
FIG. 7 is a bottom view thereof.

See application file for complete search history.

1 Claim, 7 Drawing Sheets



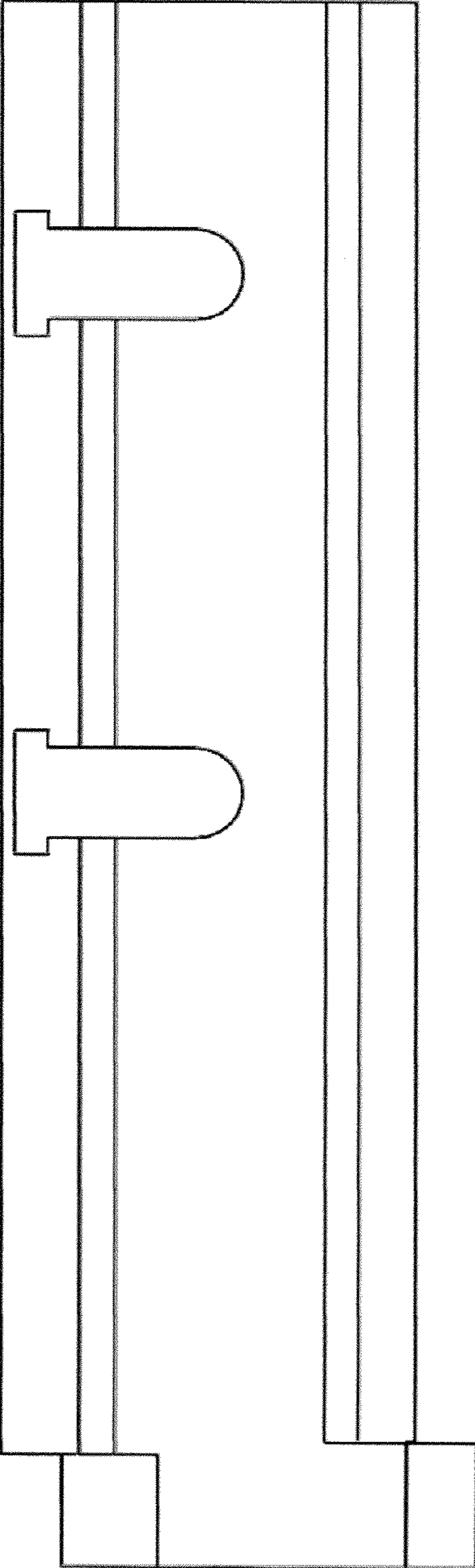


Fig. 1

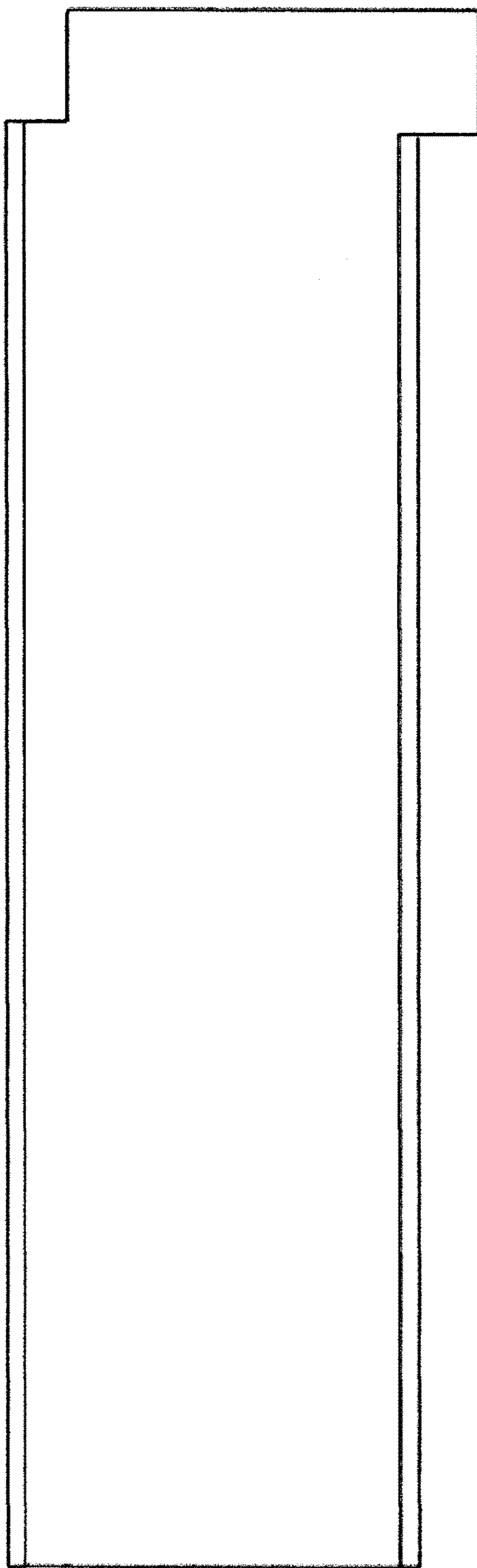


Fig. 2

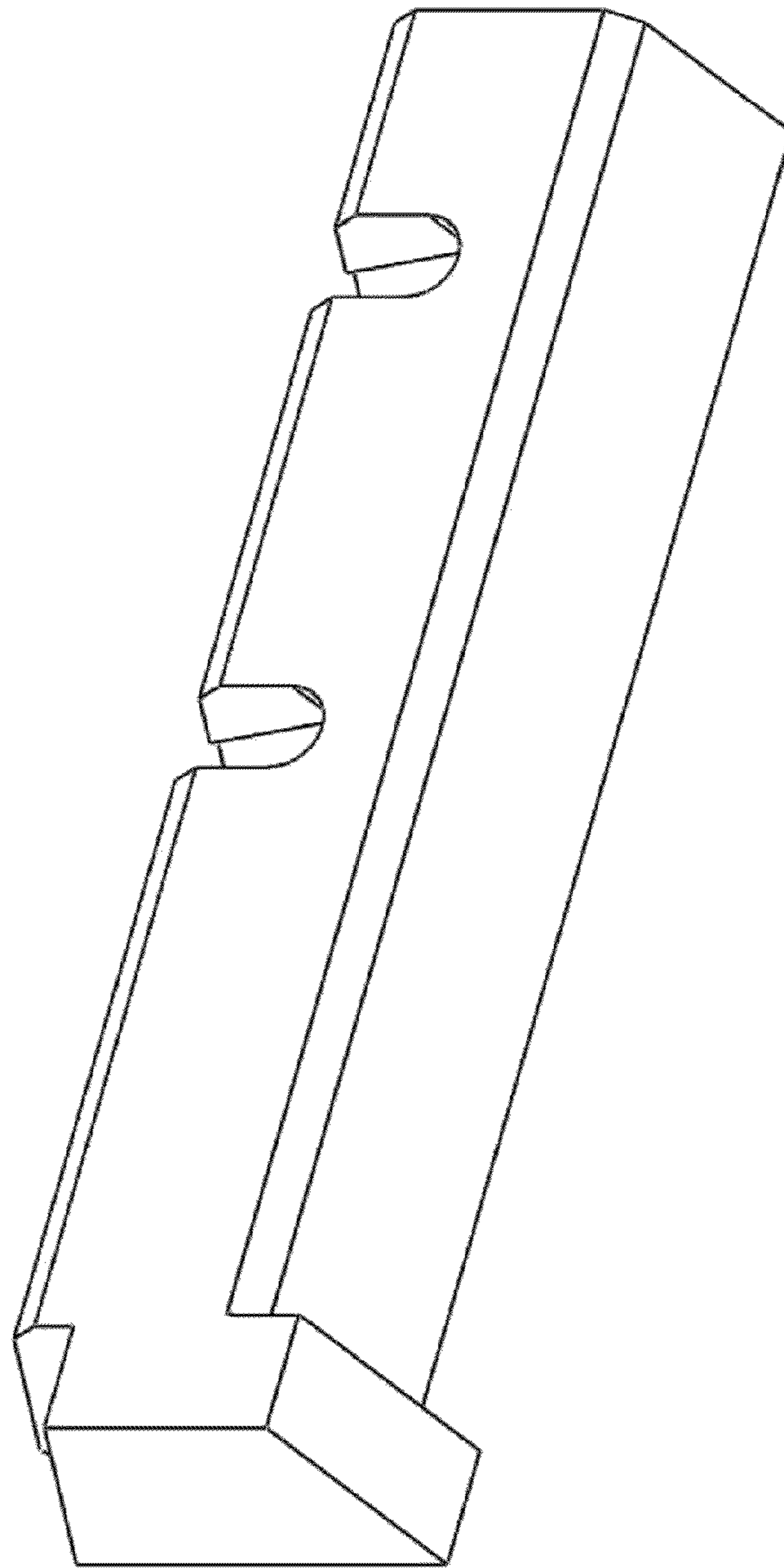


Fig. 3

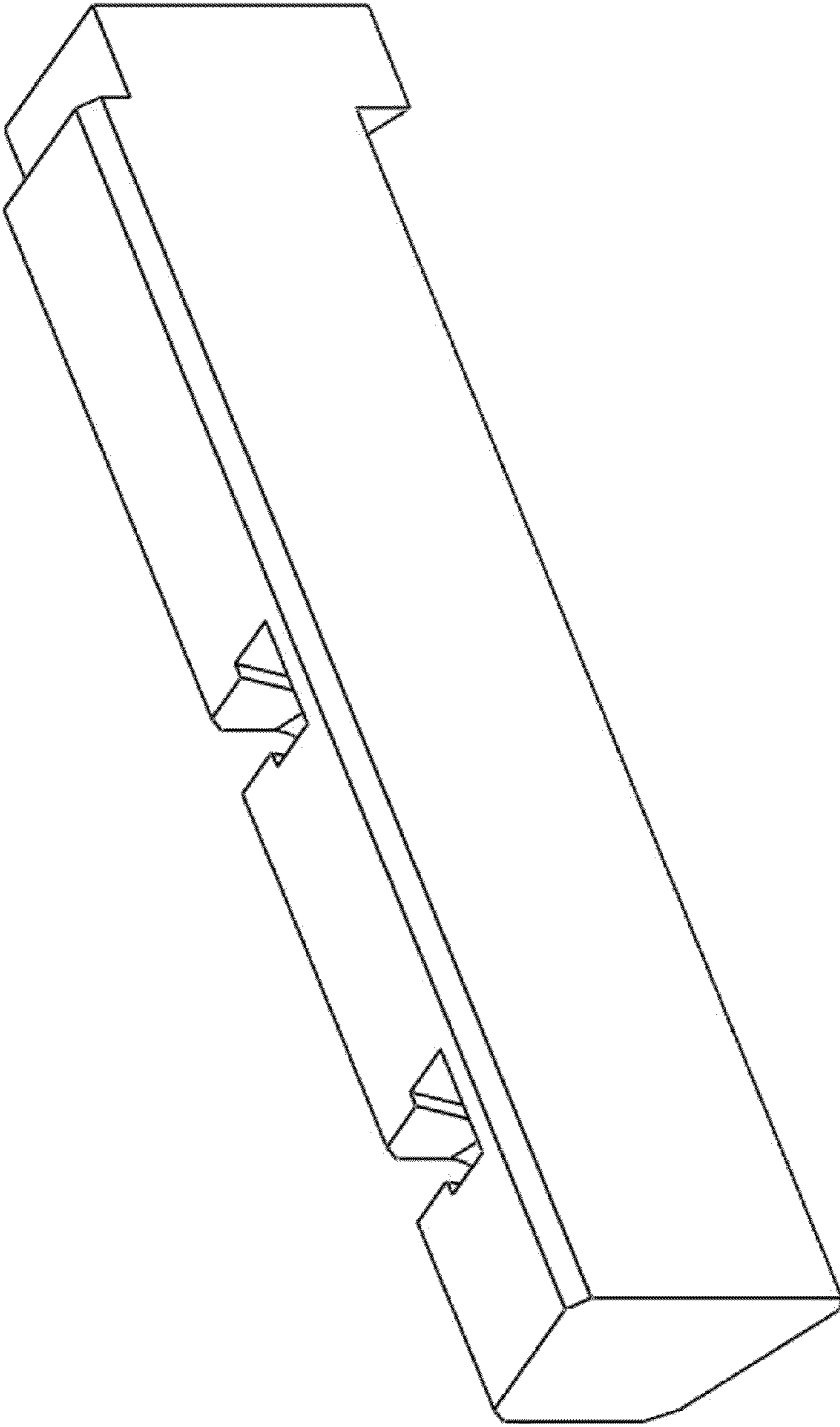


Fig. 4

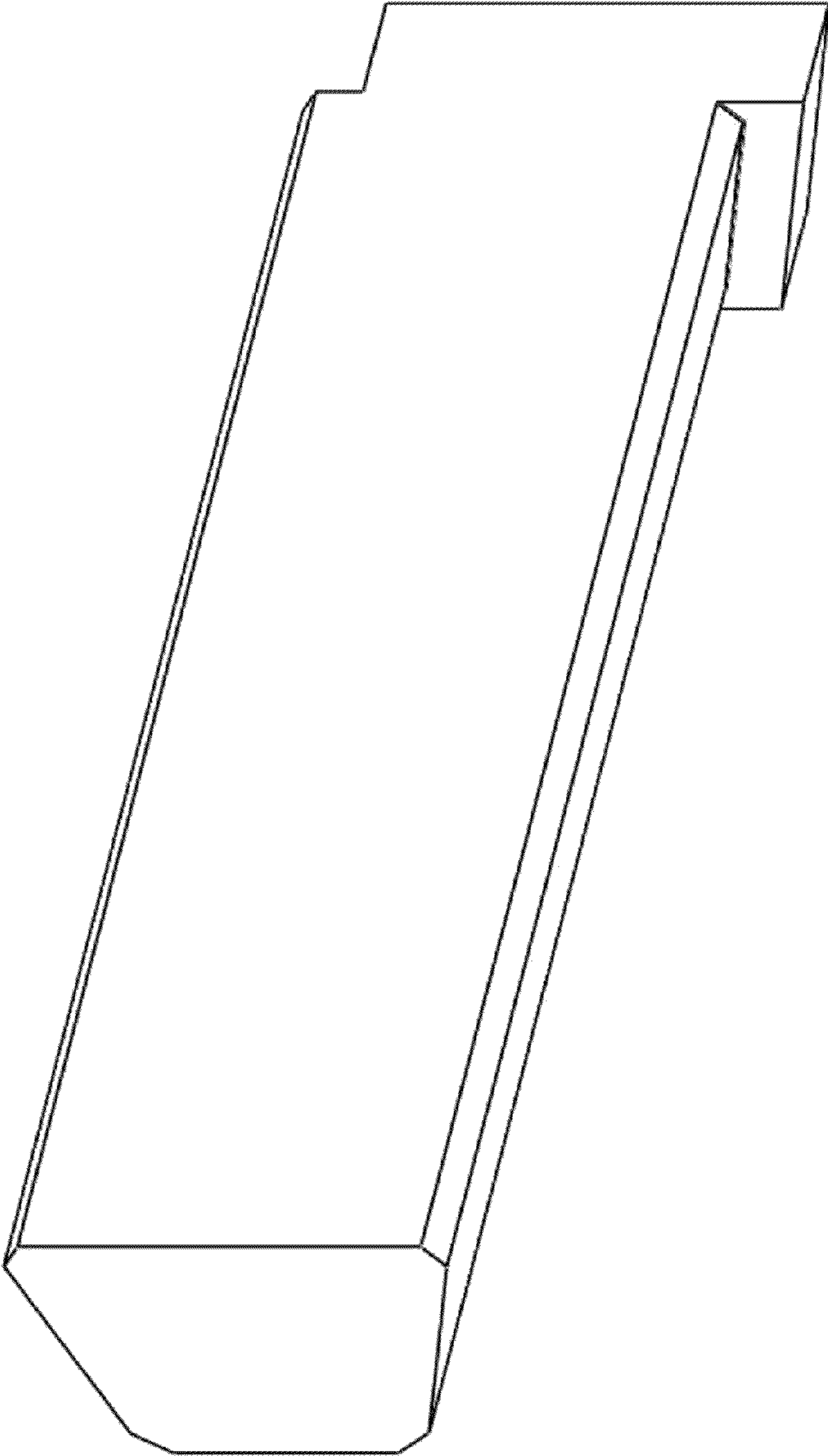


Fig. 5

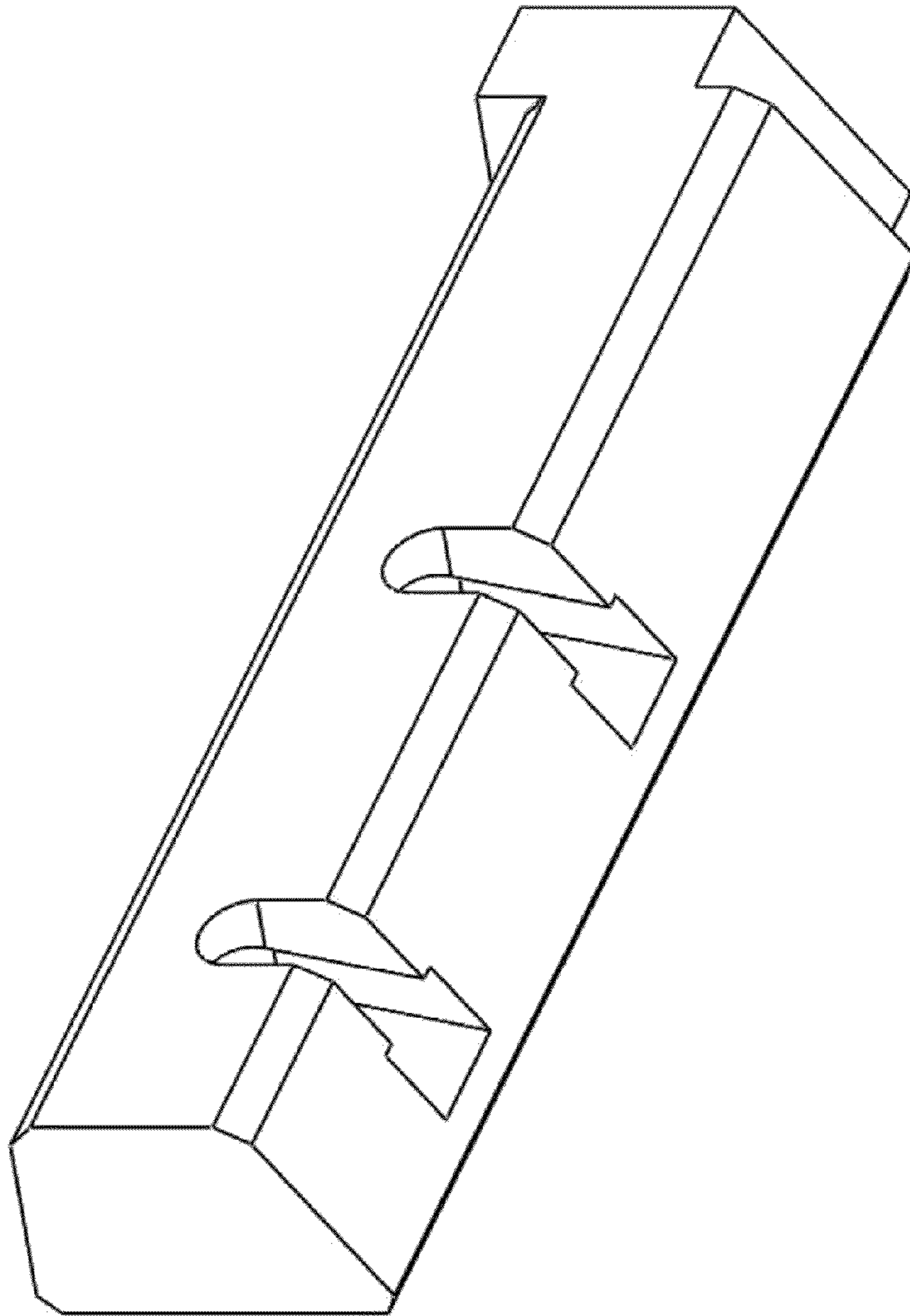


Fig. 6

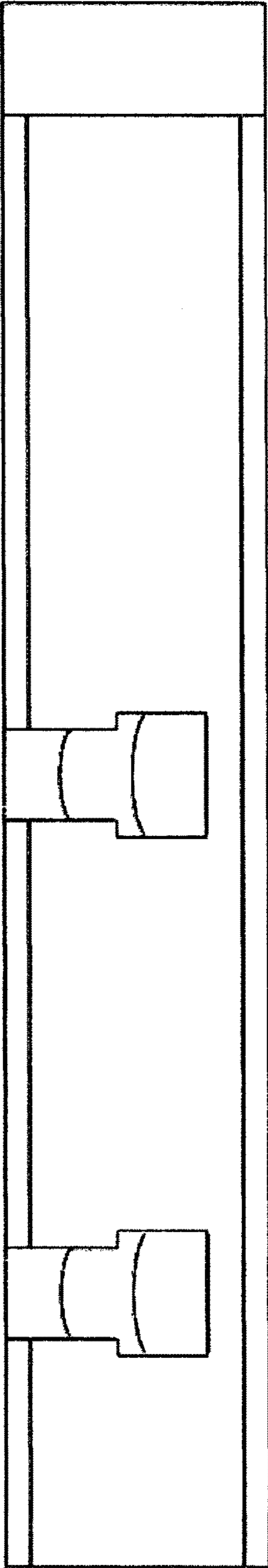


Fig. 7