



US00D733765S

(12) **United States Design Patent**
Steinemann

(10) **Patent No.:** **US D733,765 S**

(45) **Date of Patent:** **** Jul. 7, 2015**

(54) **POWDER FEED HOPPER**

(75) Inventor: **Mark Steinemann**, Hofstetten (CH)

(73) Assignee: **GEMA SWITZERLAND GMBH**, St. Gallen (CH)

(**) Term: **14 Years**

(21) Appl. No.: **29/419,728**

(22) Filed: **May 1, 2012**

(30) **Foreign Application Priority Data**

Nov. 2, 2011 (EM) 001300230

(51) **LOC (10) Cl.** **15-03**

(52) **U.S. Cl.**
USPC **D15/10**

(58) **Field of Classification Search**
USPC D15/10; D34/14; 222/637; 239/654,
239/655; 406/123, 139; 118/308
See application file for complete search history.

(56) **References Cited**

U.S. PATENT DOCUMENTS

D244,598	S *	6/1977	Nystuen et al.	D15/199
4,815,414	A *	3/1989	Duffy et al.	118/308
D303,265	S *	9/1989	Miyoshi et al.	D15/122
4,938,240	A *	7/1990	Lakhan et al.	134/93
5,090,626	A *	2/1992	Platsch 239/654	
5,159,765	A *	11/1992	Kramer 34/359	
D335,293	S *	5/1993	Pingry et al.	D15/28
5,256,201	A *	10/1993	Gelain et al.	118/326
5,645,227	A *	7/1997	Tsutsui et al.	239/654
5,658,385	A *	8/1997	Tsutsui et al.	118/308

5,803,673	A *	9/1998	Reinsch et al.	406/31
6,220,791	B1 *	4/2001	Hutchins 406/124	
6,582,521	B2 *	6/2003	Bertellotti et al.	118/621
7,464,733	B2 *	12/2008	Cox 141/67	
D588,166	S *	3/2009	Lyons, III D15/19	
D597,108	S *	7/2009	Dore D15/126	
7,871,090	B2 *	1/2011	Staub 280/79.5	
D671,564	S *	11/2012	Moretto D15/28	
D674,572	S *	1/2013	Sanwald et al.	D34/14
D688,709	S *	8/2013	Sanwald D15/7	
D689,527	S *	9/2013	MacLean-Blevins D15/13	
D693,980	S *	11/2013	Sanwald et al.	D34/14
2003/0080220	A1 *	5/2003	Mather et al.	239/690
2004/0219301	A1 *	11/2004	Bertellotti et al.	427/475
2005/0023374	A1 *	2/2005	Knobbe et al.	239/280
2007/0157990	A1 *	7/2007	Amano 141/83	
2007/0215042	A1 *	9/2007	Shutic et al.	118/326
2010/0155985	A1 *	6/2010	McAlea et al.	264/113
2011/0285061	A1 *	11/2011	McAlea et al.	264/401

* cited by examiner

Primary Examiner — Mark Goodwin

(74) *Attorney, Agent, or Firm* — Lowe Hauptman & Ham LLP

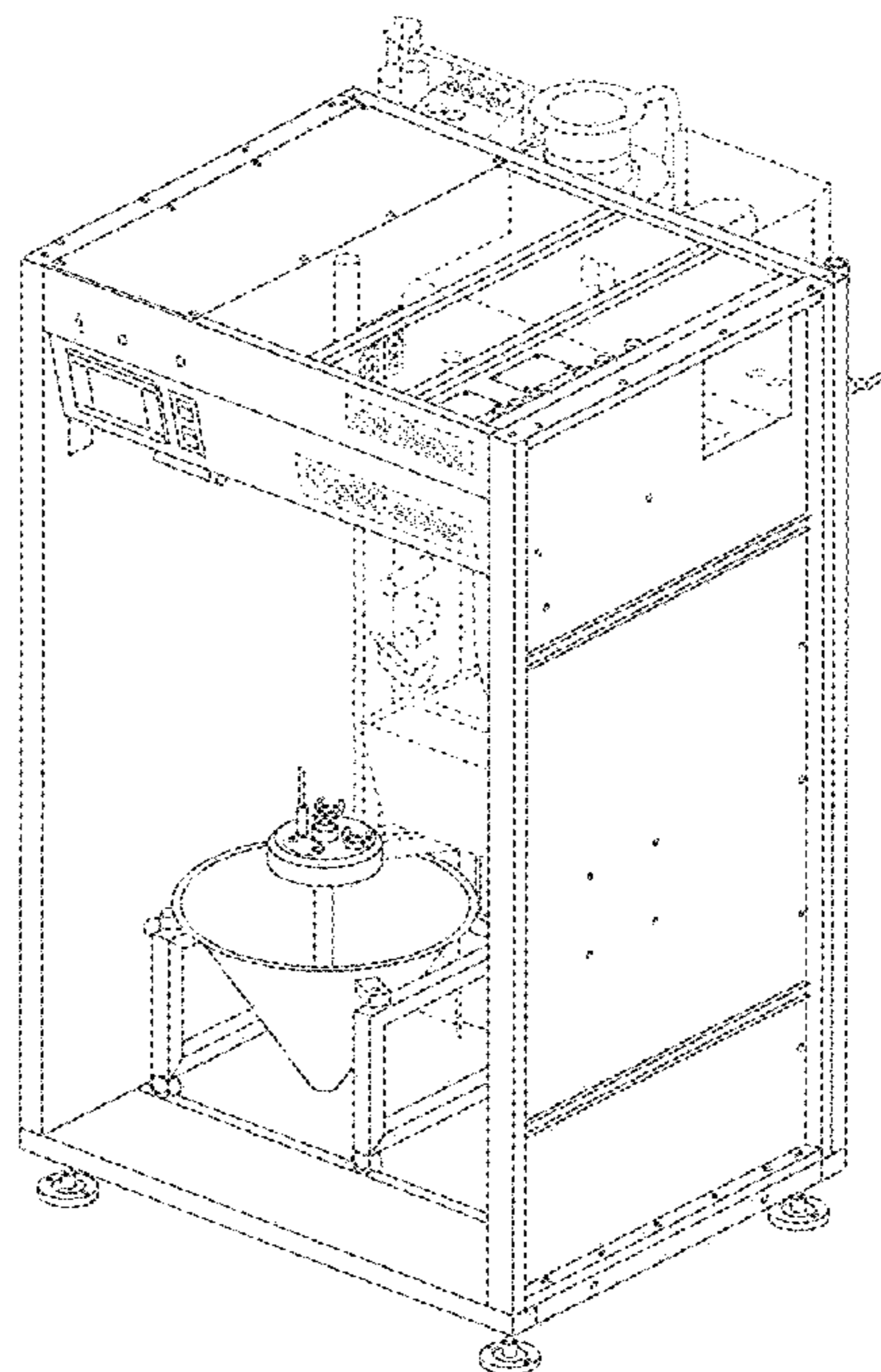
(57) **CLAIM**

The ornamental design for a powder feed hopper, as shown and described.

DESCRIPTION

FIG. 1 is a front view of a powder feed hopper bearing the design; and,
FIG. 2 a perspective view of the powder feed hopper of FIG. 1.
The subject matter in dashed line format is intended environment and forms no part of the claimed design.

1 Claim, 2 Drawing Sheets



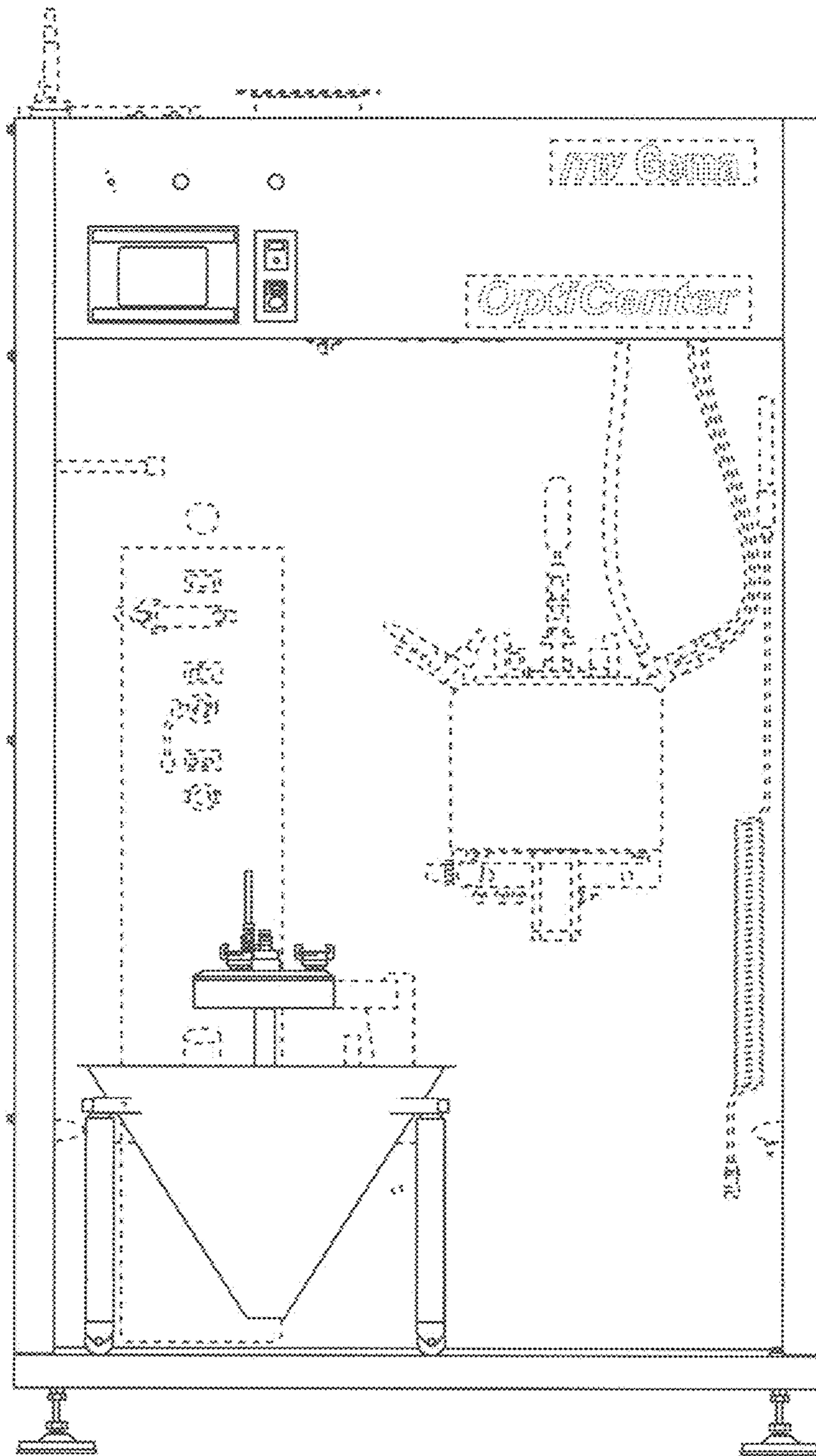


FIG. 1

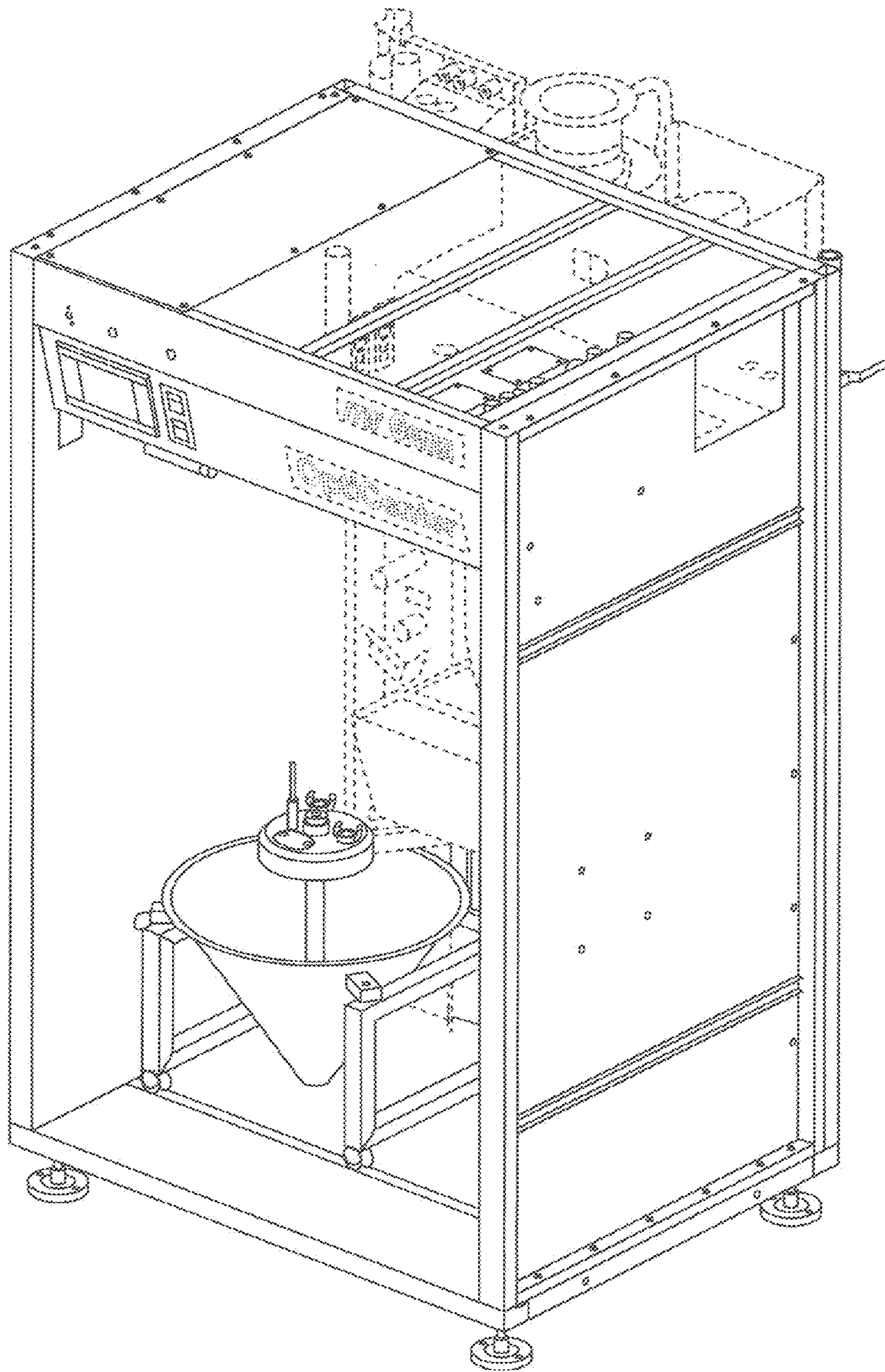


FIG. 2