

US00D733762S

(12) **United States Design Patent**
Bink et al.

(10) **Patent No.:** **US D733,762 S**
(45) **Date of Patent:** **** Jul. 7, 2015**

(54) **ENGINE**
(71) Applicant: **Kohler Co.**, Kohler, WI (US)
(72) Inventors: **Benjamin J. Bink**, St. Cloud, WI (US);
James G. Leu, Kiel, WI (US); **Ronald D. Mittelstaedt**, Kiel, WI (US); **Steven P. Lewis**, Howards Grove, WI (US);
Travis J. Andren, Sheboygan, WI (US);
Kevin C. Brusio, Malone, WI (US);
Brian Michael Hynes Sheridan, West Bend, WI (US)

D396,476 S 7/1998 Shimizu
D397,342 S 8/1998 Shimizu
D466,905 S 12/2002 Neeley et al.
D468,751 S 1/2003 Neeley et al.
D471,560 S 3/2003 Davis
D484,889 S 1/2004 Neeley et al.
D487,751 S 3/2004 Neeley et al.
D491,192 S 6/2004 Davis
D491,193 S 6/2004 Davis
D513,012 S 12/2005 Strandell et al.
D513,754 S 1/2006 Strandell et al.
D517,672 S 3/2006 Schmitt et al.
D518,157 S 3/2006 Clark et al.
D525,991 S 8/2006 Walters
D527,022 S 8/2006 Walters
D527,741 S 9/2006 Vervoors
D529,924 S 10/2006 Ryczek et al.
D536,004 S 1/2007 Ryczek et al.
D538,823 S 3/2007 Vervoors

(73) Assignee: **Kohler Co.**, Kohler, WI (US)

(**) Term: **14 Years**

(21) Appl. No.: **29/479,645**

(22) Filed: **Jan. 17, 2014**

(51) **LOC (10) Cl.** **15-01**

(52) **U.S. Cl.**
USPC **D15/1**

(58) **Field of Classification Search**
USPC D15/1, 2, 3, 5, 6, 14, 17, 149; 123/22,
123/41.34, 51 A, 606 R, 52.1, 50 A, 50 B,
123/54.1, 54.2, 54.4, 54.5, 65 R, 195 R,
123/195 HC, 657, 311
See application file for complete search history.

(56) **References Cited**

U.S. PATENT DOCUMENTS

D277,485 S 2/1985 Iwakura et al.
D289,766 S * 5/1987 Evans D15/5
D308,871 S * 6/1990 Harkness et al. D15/1
D330,897 S 11/1992 Carlson et al.
D352,042 S 11/1994 Davies, III
D352,043 S 11/1994 Davies, III
D366,660 S 1/1996 Benson
D373,590 S 9/1996 Benson
D396,045 S 7/1998 Neeley

(Continued)

Primary Examiner — T. Chase Nelson

Assistant Examiner — Ania Aman

(74) *Attorney, Agent, or Firm* — The Belles Group, P.C.

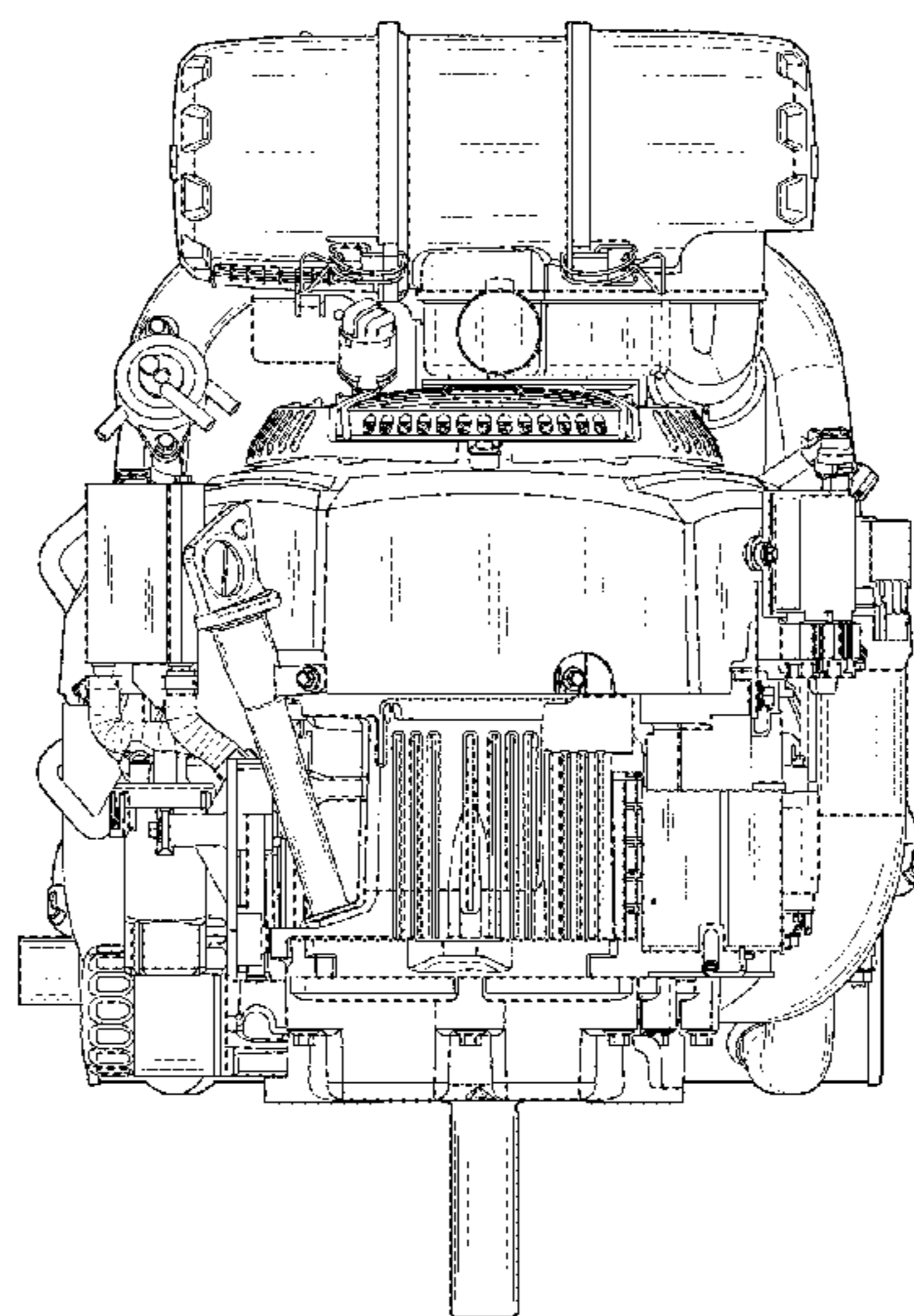
(57) **CLAIM**

The ornamental design for an engine, as shown and described.

DESCRIPTION

FIG. 1 is a front elevation view of an engine showing our new design;
FIG. 2 is a rear elevation view thereof;
FIG. 3 is a right side elevation view thereof;
FIG. 4 is a left side elevation view thereof;
FIG. 5 is a top plan view thereof;
FIG. 6 is a bottom plan view thereof;
FIG. 7 is an elevated front-left elevated perspective view thereof;
FIG. 8 is an elevated front-right perspective view thereof;
FIG. 9 is a depressed front-left perspective view thereof; and,
FIG. 10 is a depressed front-right perspective view thereof.

1 Claim, 10 Drawing Sheets



(56)

References Cited

U.S. PATENT DOCUMENTS

| | | | | | | |
|--------------|---------|------------------|--------------|---------|---------------|-------|
| D540,819 S | 4/2007 | Schmitt et al. | D583,831 S | 12/2008 | Post et al. | |
| D541,300 S | 4/2007 | Geisheker et al. | D594,878 S | 6/2009 | Post et al. | |
| D548,750 S | 8/2007 | Neeley et al. | D667,464 S * | 9/2012 | Tiefenthaler | D15/5 |
| D553,645 S | 10/2007 | Drew et al. | D671,959 S | 12/2012 | Burey et al. | |
| D572,271 S * | 7/2008 | Maeda | D679,288 S * | 4/2013 | Grubisich | D15/5 |
| | | | D691,177 S * | 10/2013 | Tiefenthaler | D15/5 |
| | | D15/1 | D708,645 S * | 7/2014 | Sarder et al. | D15/5 |
| | | | D708,646 S * | 7/2014 | Sarder et al. | D15/5 |

* cited by examiner

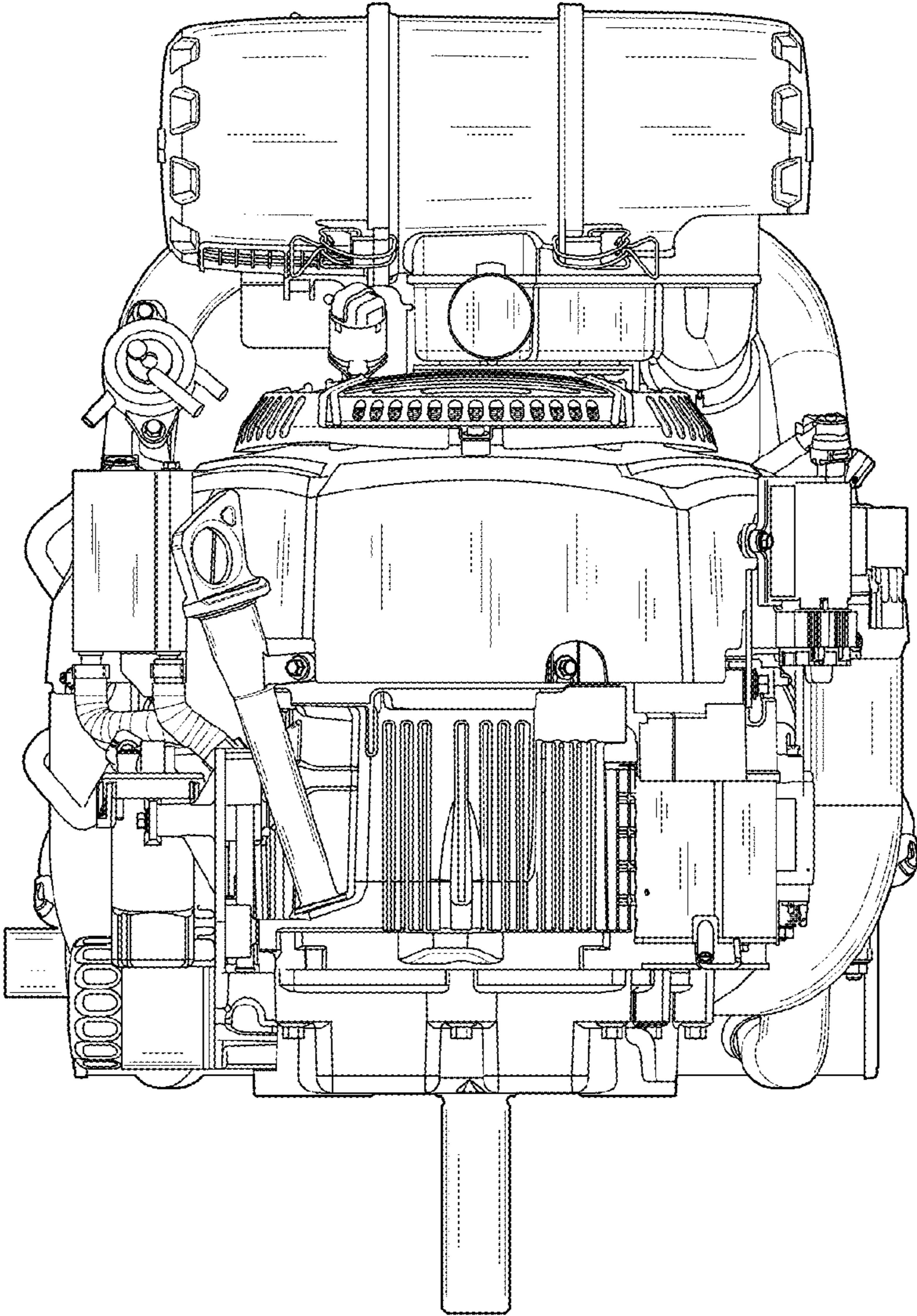


FIG. 1

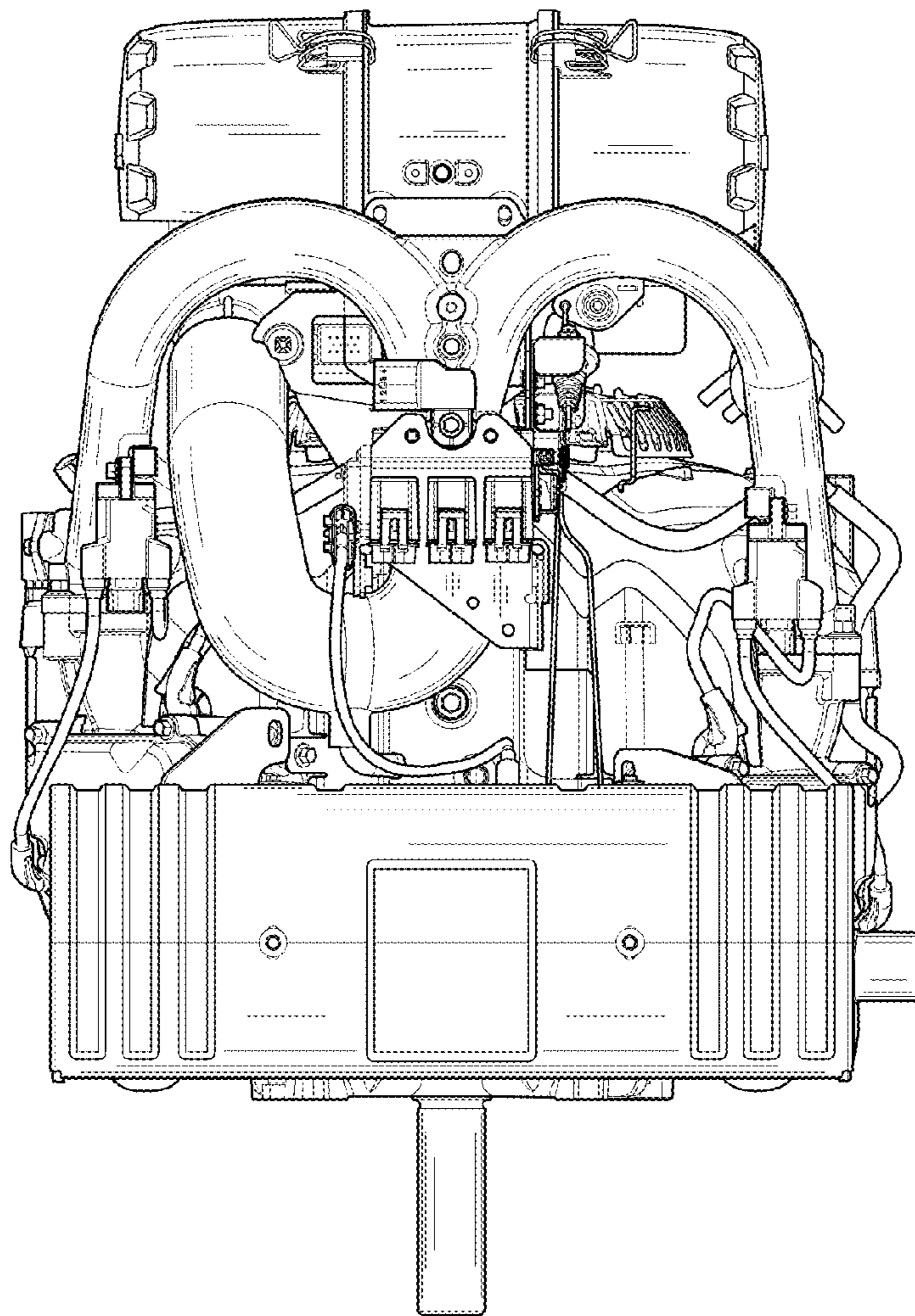


FIG. 2

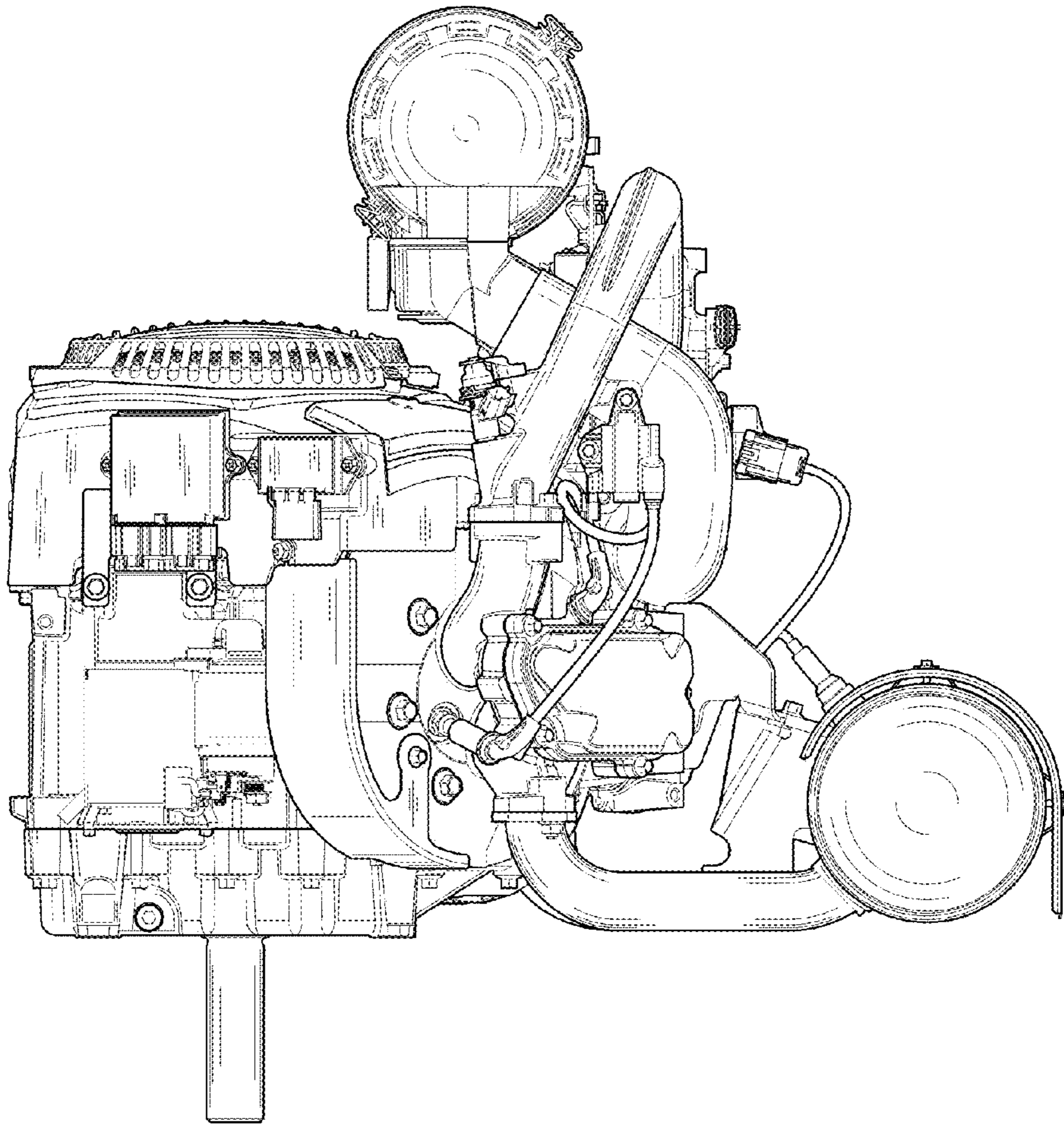


FIG. 3

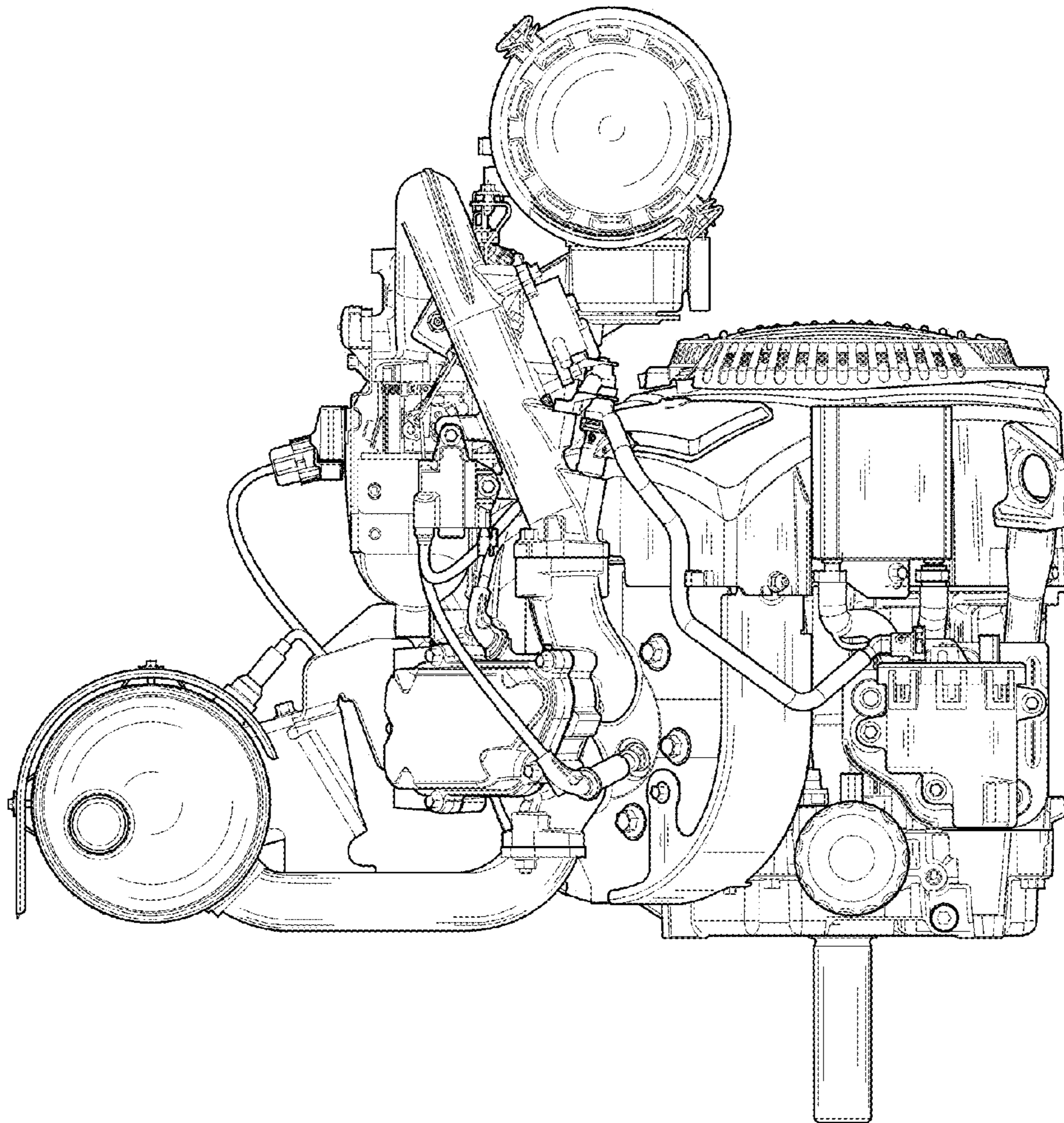


FIG. 4

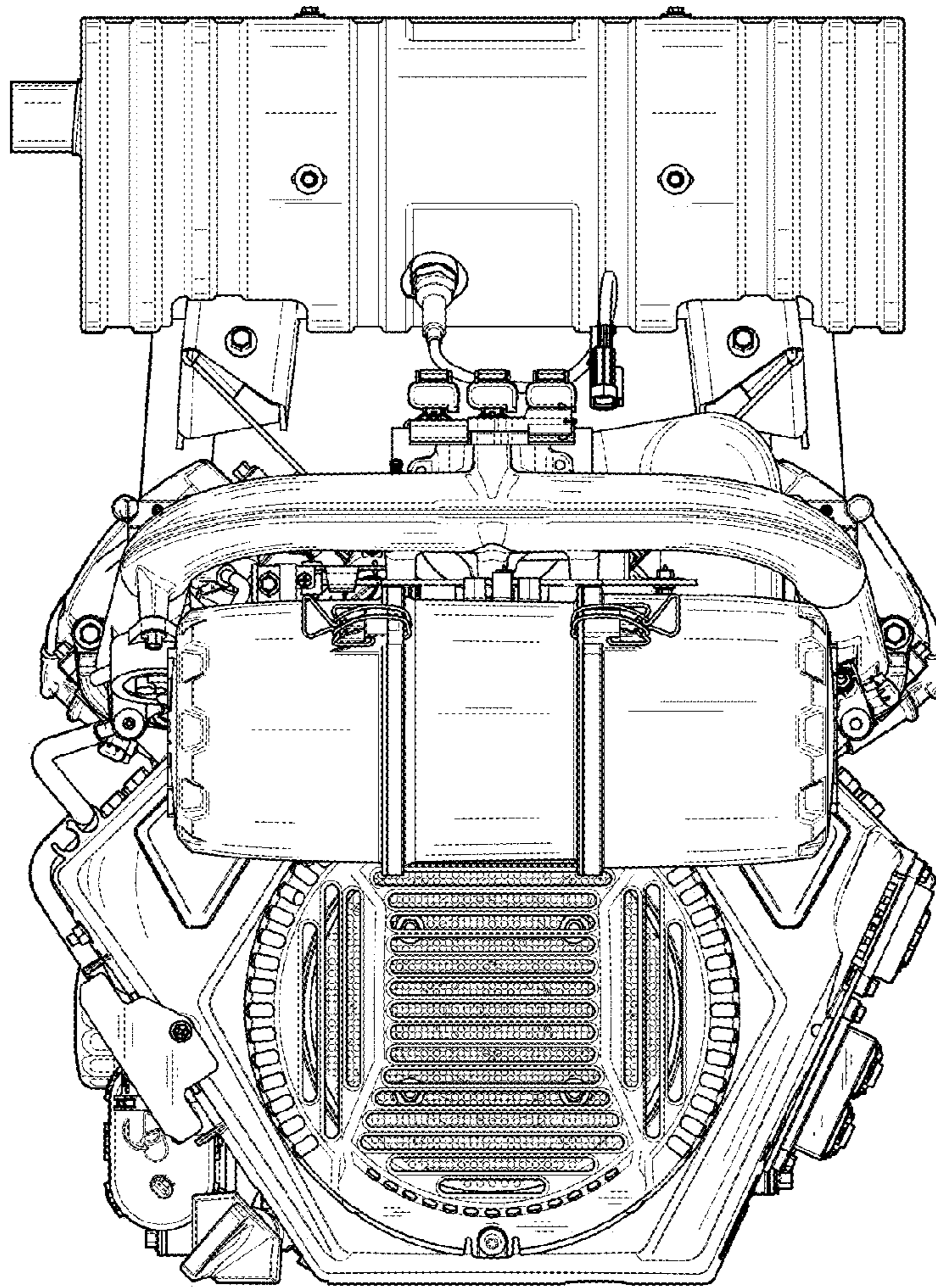


FIG. 5

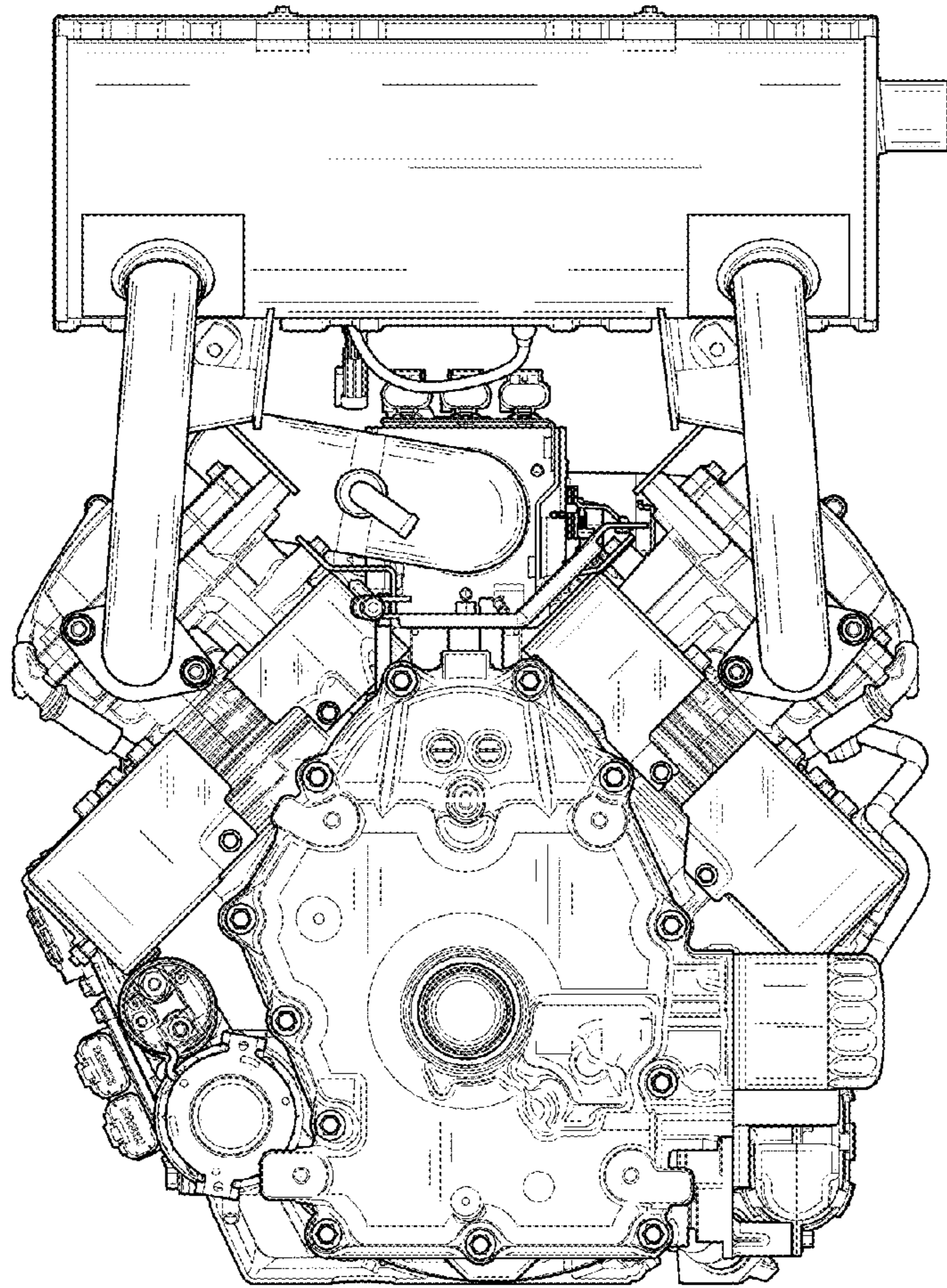


FIG. 6

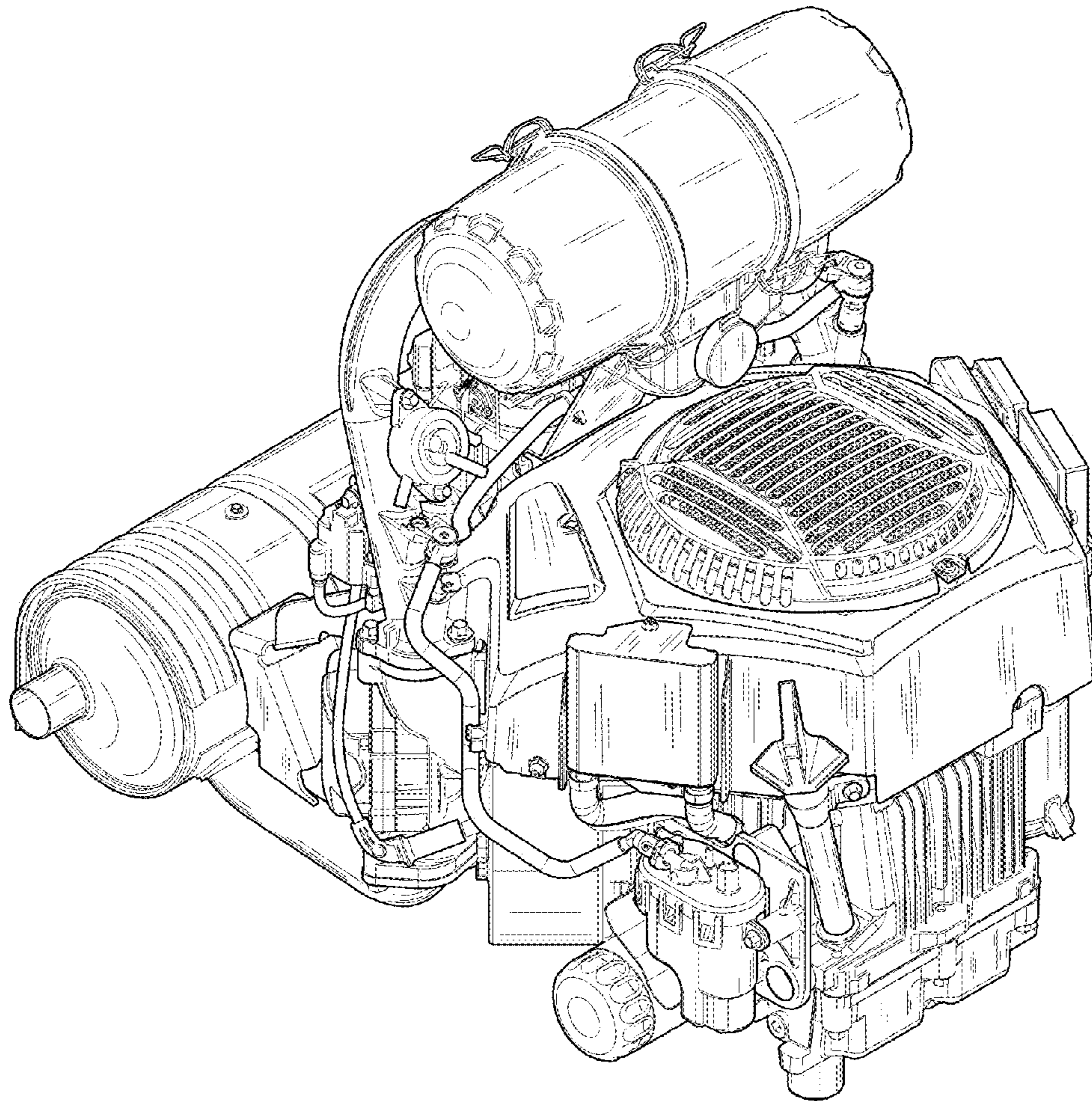


FIG. 7

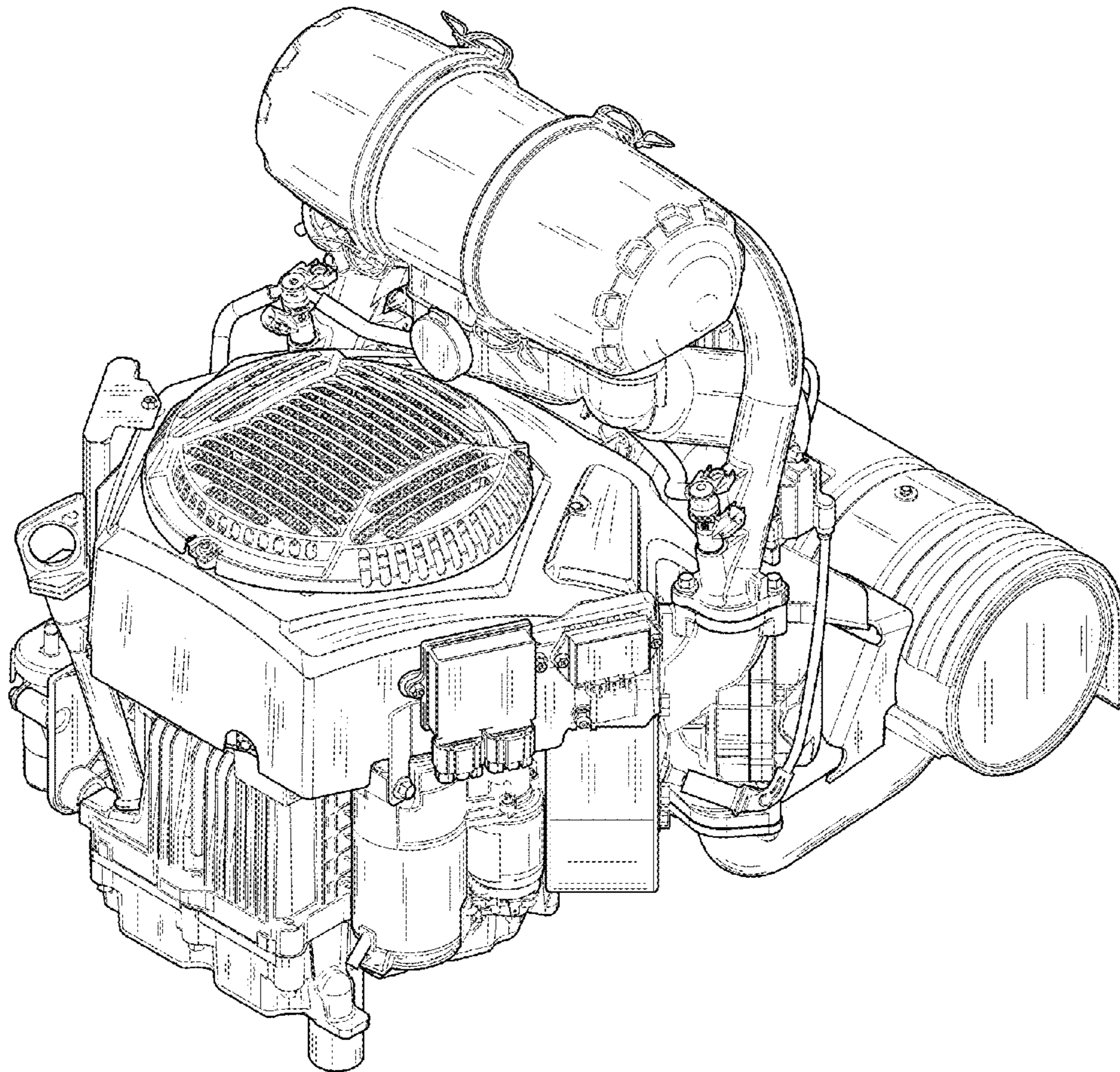


FIG. 8

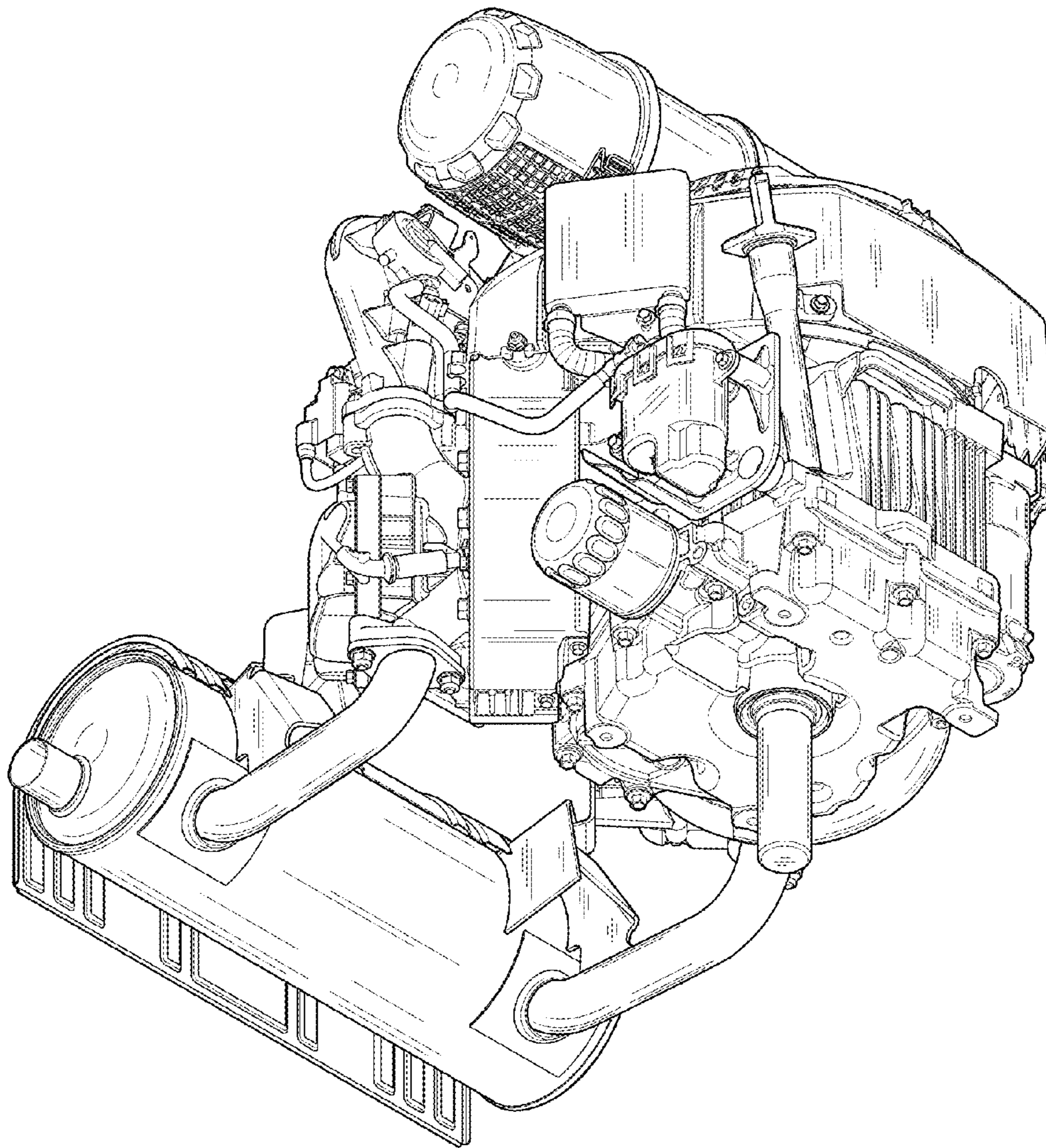


FIG. 9

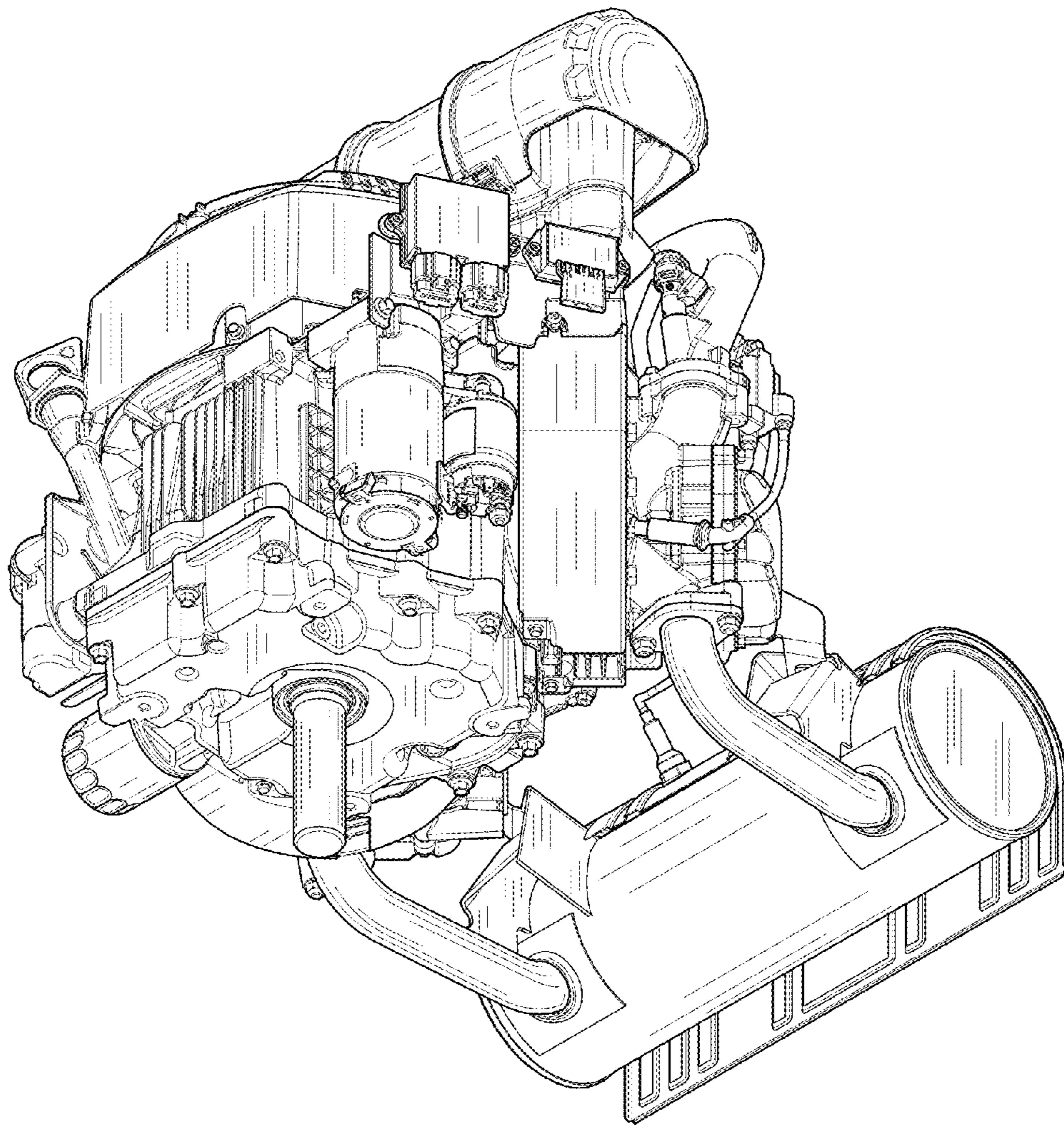


FIG. 10