



US00D733757S

(12) **United States Design Patent**
Kim et al.

(10) **Patent No.:** **US D733,757 S**
(45) **Date of Patent:** **** Jul. 7, 2015**

(54) **DISPLAY SCREEN OR PORTION THEREOF WITH ICON**

(56) **References Cited**

(71) Applicant: **Samsung Electronics Co., Ltd.**,
Suwon-si (KR)
(72) Inventors: **Jung-Hoon Kim**, Seoul (KR);
Jong-Hyun Shin, Seoul (KR); **Se-Hoon Oh**, Seoul (KR)
(73) Assignee: **Samsung Electronics Co., Ltd.**,
Suwon-si (KR)

U.S. PATENT DOCUMENTS

D296,705 S *	7/1988	Wells-Papanek et al. ...	D14/493
D498,479 S *	11/2004	Totten et al.	D14/492
D534,179 S *	12/2006	Gusmorino et al.	D14/492
D553,149 S *	10/2007	Viegers	D14/492
D555,165 S *	11/2007	Myers et al.	D14/487
D557,704 S *	12/2007	O'Donnell et al.	D14/492
D613,756 S *	4/2010	Moreau et al.	D14/493
D623,195 S *	9/2010	La et al.	D14/489
D683,759 S *	6/2013	Ridl et al.	D14/489
D683,760 S *	6/2013	Ridl et al.	D14/489
D689,099 S *	9/2013	Lim	D14/493
D695,314 S *	12/2013	Jang et al.	D14/493
D709,089 S *	7/2014	Eilam	D14/489

(**) Term: **14 Years**

* cited by examiner

(21) Appl. No.: **29/454,854**

Primary Examiner — Angela J Lee

(22) Filed: **May 15, 2013**

(74) *Attorney, Agent, or Firm* — NSIP Law

(30) **Foreign Application Priority Data**

(57) **CLAIM**

The ornamental design for a display screen or portion thereof with icon, as shown and described.

Nov. 23, 2012 (KR) 30-2012-0056208

DESCRIPTION

(51) **LOC (10) Cl.** **14-04**

(52) **U.S. Cl.**
USPC **D14/493**

(58) **Field of Classification Search**
USPC D14/485–495; 715/703, 715, 727, 763,
715/773, 776, 779, 839, 810, 811, 812, 813,
715/814, 815, 821, 825, 828, 833, 835, 836,
715/837, 838, 840, 846, 847, 864, 963, 974,
715/976, 977
CPC G06F 3/0482; G06F 8/34; G06F 3/04817;
G06F 3/048

FIG. 1 is a front view of a display screen or portion thereof with icon, showing our new design; and, FIG. 2 is a front view of a display screen or portion thereof with icon of FIG. 1, in which a mobile terminal in broken line is provided to illustrate an example environment. The broken lines showing a display screen or portion thereof form no part of the claimed design. The Samsung trademark in the upper portion of the FIG. 2 is a registered trademark or the property of Samsung Electronics Co., Ltd. Trademarks are the property of their respective owners.

See application file for complete search history.

1 Claim, 2 Drawing Sheets

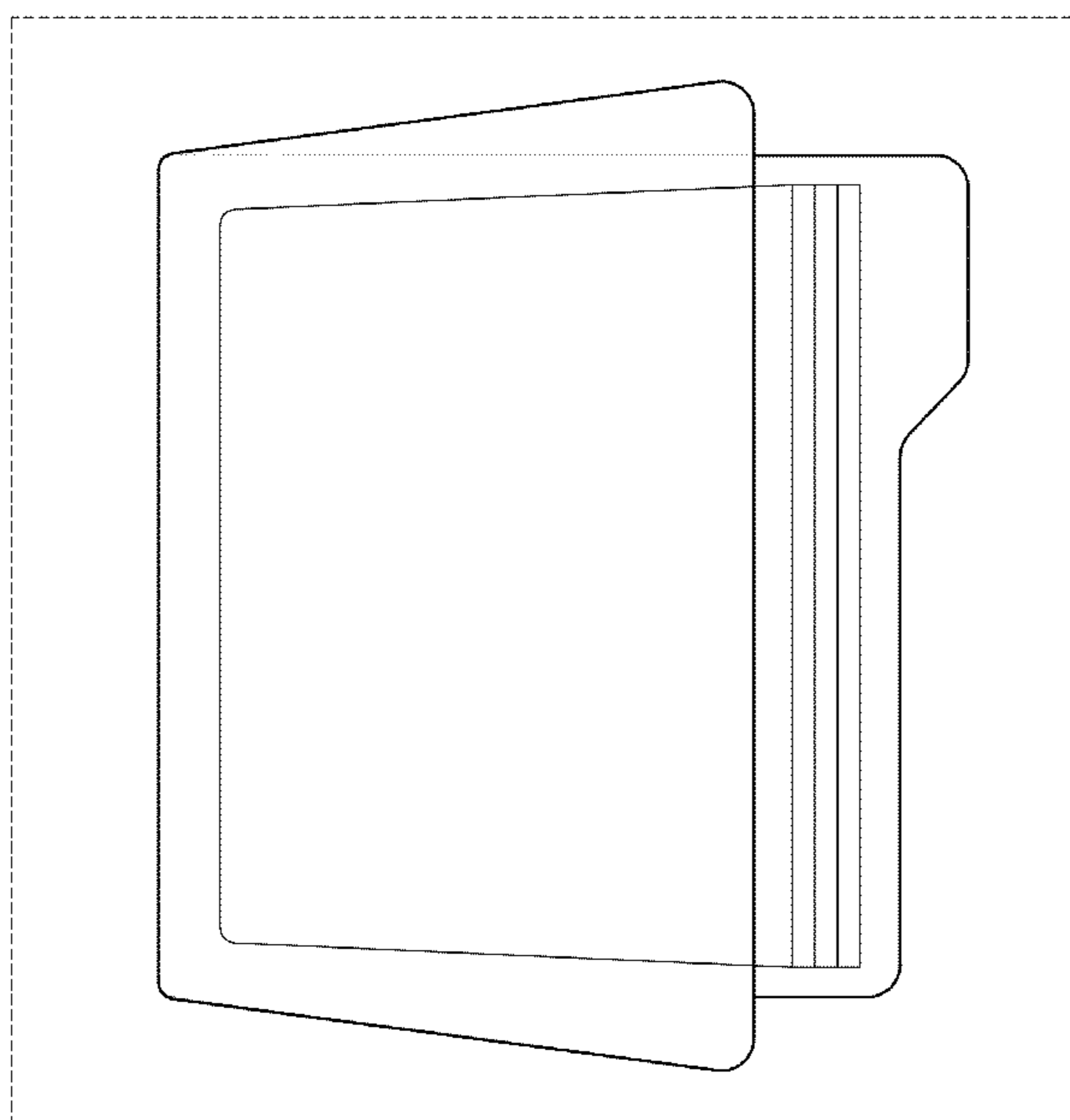


FIG. 1

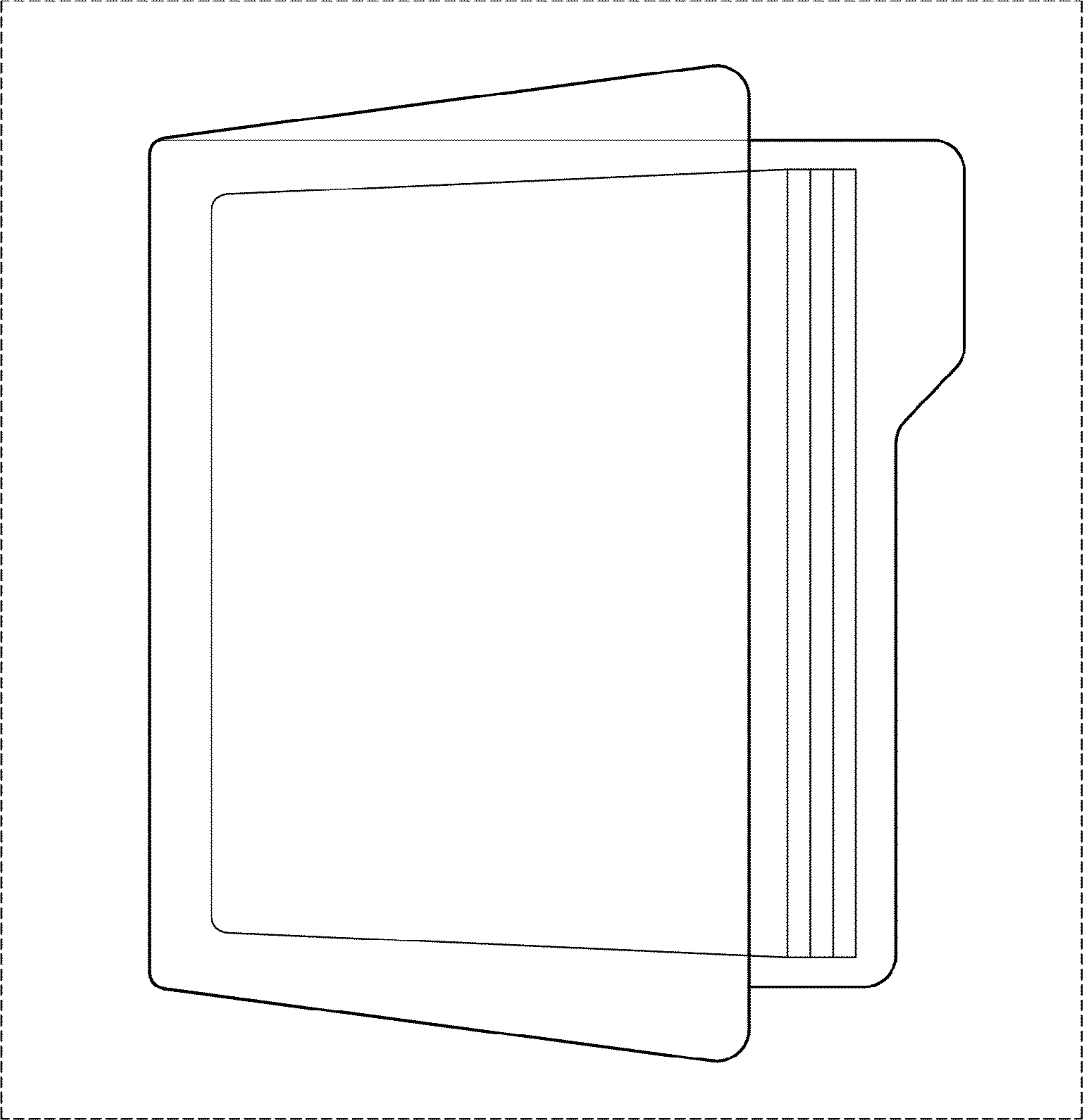


FIG. 2

