



US00D733718S

(12) **United States Design Patent**  
**Fujioka**

(10) **Patent No.:** **US D733,718 S**

(45) **Date of Patent:** **\*\* Jul. 7, 2015**

(54) **CORNER BUTTON**

(71) Applicant: **Robb Fujioka**, Manhattan Beach, CA  
(US)

(72) Inventor: **Robb Fujioka**, Manhattan Beach, CA  
(US)

(73) Assignee: **Fuhu, Inc.**, El Segundo, CA (US)

(\*\*) Term: **14 Years**

(21) Appl. No.: **29/454,426**

(22) Filed: **May 9, 2013**

(51) **LOC (10) Cl.** ..... **14-02**

(52) **U.S. Cl.**  
USPC ..... **D14/456**

(58) **Field of Classification Search**  
USPC ..... D14/454, 455, 456, 320, 331, 333, 334,  
D14/335, 338, 339, 340, 341, 342, 345, 346,  
D14/347, 387, 390, 391, 392, 393, 394, 395,  
D14/396, 397, 398, 150, 247, 248, 900, 901,  
D14/902, 402, 406, 426, 432, 439, 453, 457,  
D14/137, 138, 218, 315, 327; D13/168;  
D18/12.2, 7, 52, 24, 25, 29, 1, 2;  
235/145 R; 341/22, 27, 28; 345/168,  
345/169, 170, 171, 172, 947, 948, 163;  
379/368, 915, 433.07, 433.06;  
400/109, 110, 111, 472, 484, 485, 486,  
400/487, 490, 491, 492, 494; 455/550.1,  
455/556.2, 186.2, 575.1; 248/176.1

CPC ..... H01H 11/00  
See application file for complete search history.

(56) **References Cited**

U.S. PATENT DOCUMENTS

D342,057 S *	12/1993	McGinley .....	D13/173
D379,462 S *	5/1997	Mak et al. ....	D14/247
D444,152 S *	6/2001	Levey et al. ....	D14/456
D467,932 S *	12/2002	Jones .....	D14/456
D472,557 S *	4/2003	Kadota .....	D14/456
D514,584 S *	2/2006	Summit et al. ....	D14/456
D525,980 S *	8/2006	Wang et al. ....	D14/456
D570,357 S *	6/2008	DeMaio et al. ....	D14/456
D585,072 S *	1/2009	DeMaio et al. ....	D14/456
D585,450 S *	1/2009	DeMaio et al. ....	D14/456
D585,451 S *	1/2009	DeMaio et al. ....	D14/456
D607,461 S *	1/2010	Wang .....	D14/456
D700,185 S *	2/2014	Fujioka .....	D14/447
D714,620 S *	10/2014	Fujioka .....	D8/356
2015/0041602 A1 *	2/2015	Fujioka .....	248/176.1

\* cited by examiner

*Primary Examiner* — Ian Simmons  
*Assistant Examiner* — Harold Blackwell, II  
(74) *Attorney, Agent, or Firm* — Steptoe & Johnson LLP

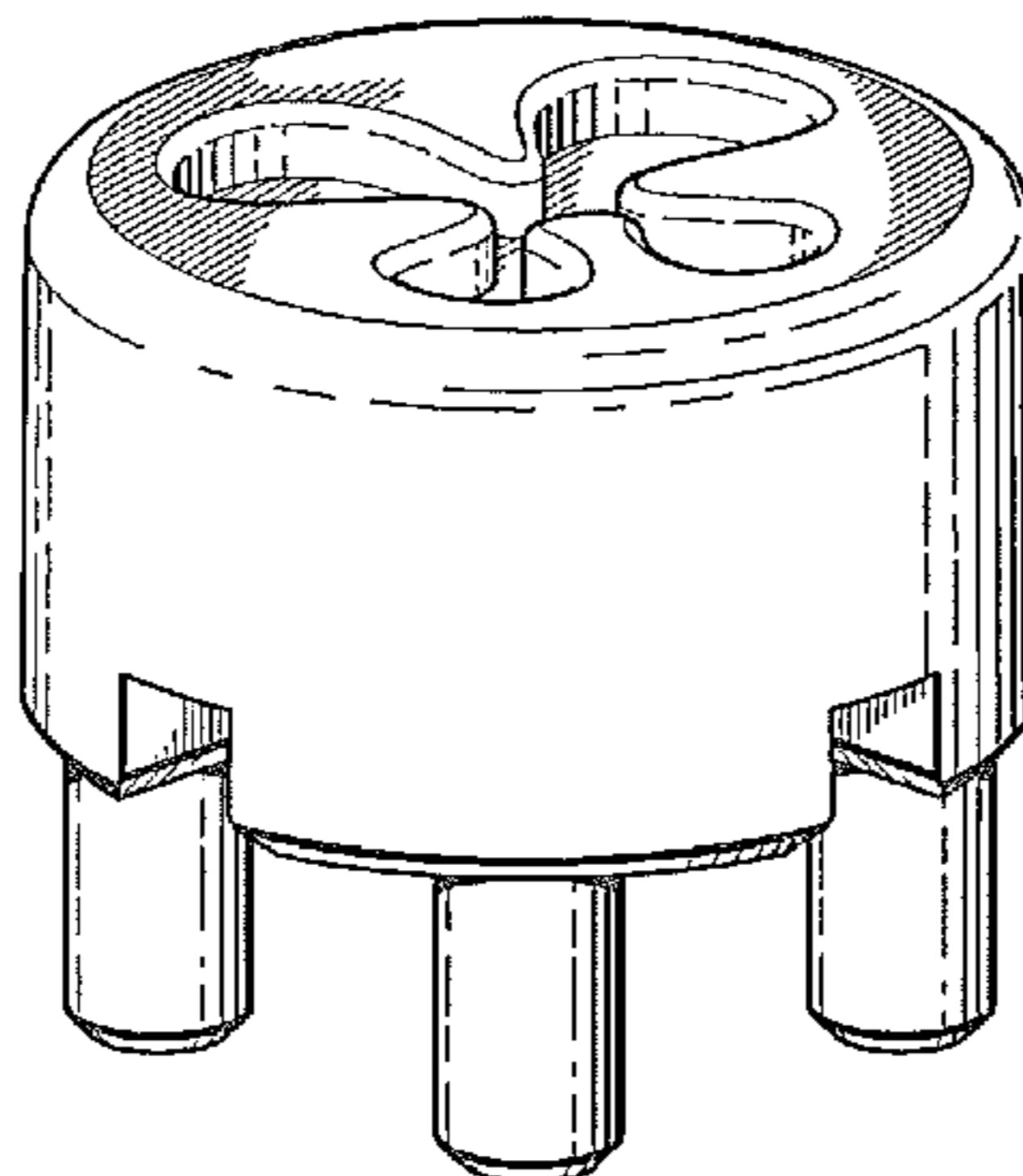
(57) **CLAIM**

The ornamental design for an corner button, as shown and described.

**DESCRIPTION**

FIG. 1 is a top, front, right side, perspective view in an exemplary embodiment of the present invention;  
FIG. 2 is a bottom, front, right side, perspective view in an exemplary embodiment of the present invention;  
FIG. 3 is a front elevation view of the present invention;  
FIG. 4 is a left side elevation view (right side being a mirror image) in an exemplary embodiment of the present invention;  
FIG. 5 is a rear elevation view in an exemplary embodiment of the present invention;  
FIG. 6 is a top plan view in an exemplary embodiment of the present invention; and,  
FIG. 7 is a bottom plan view in an exemplary embodiment of the present invention.

**1 Claim, 2 Drawing Sheets**



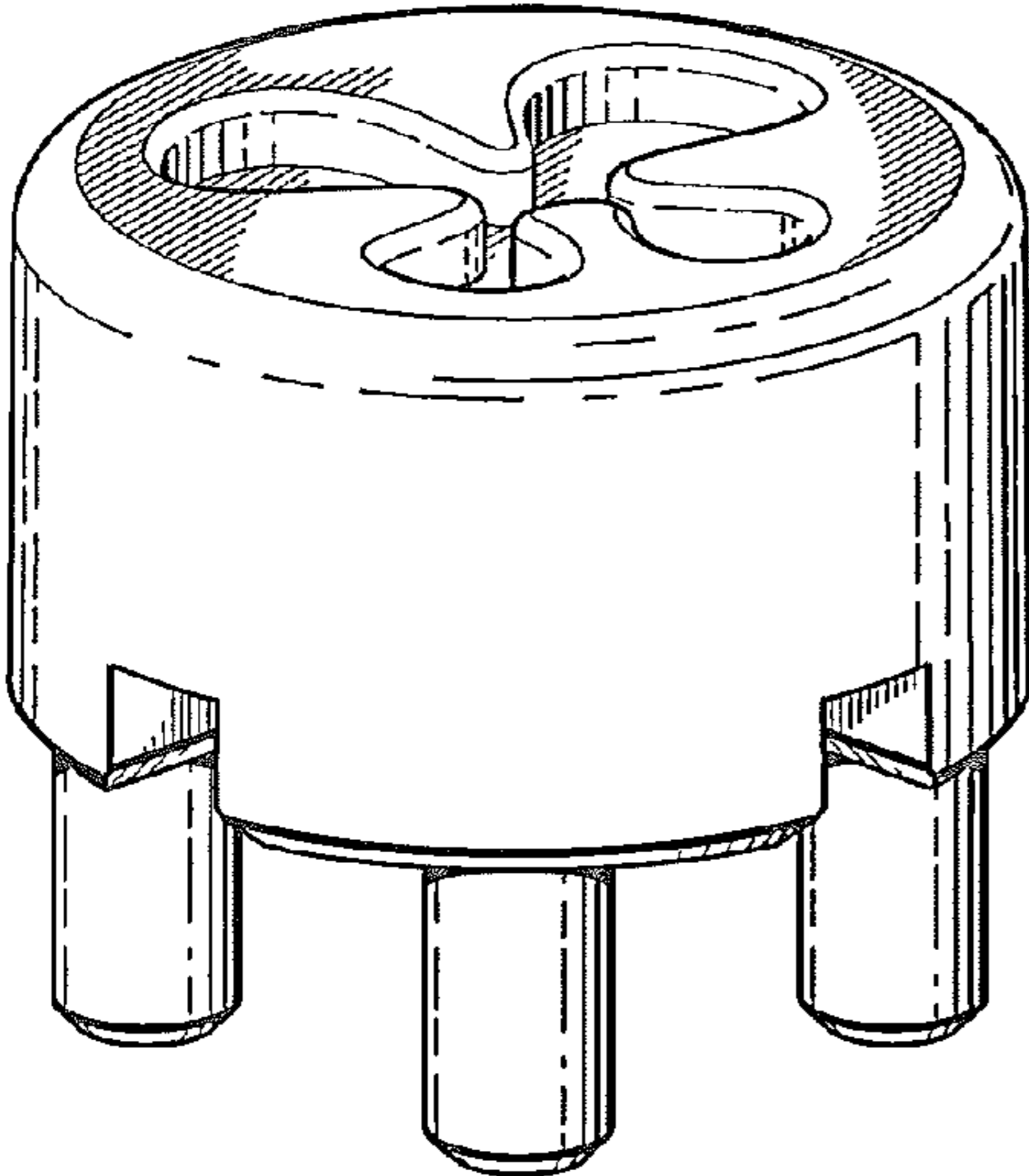


FIG. 1

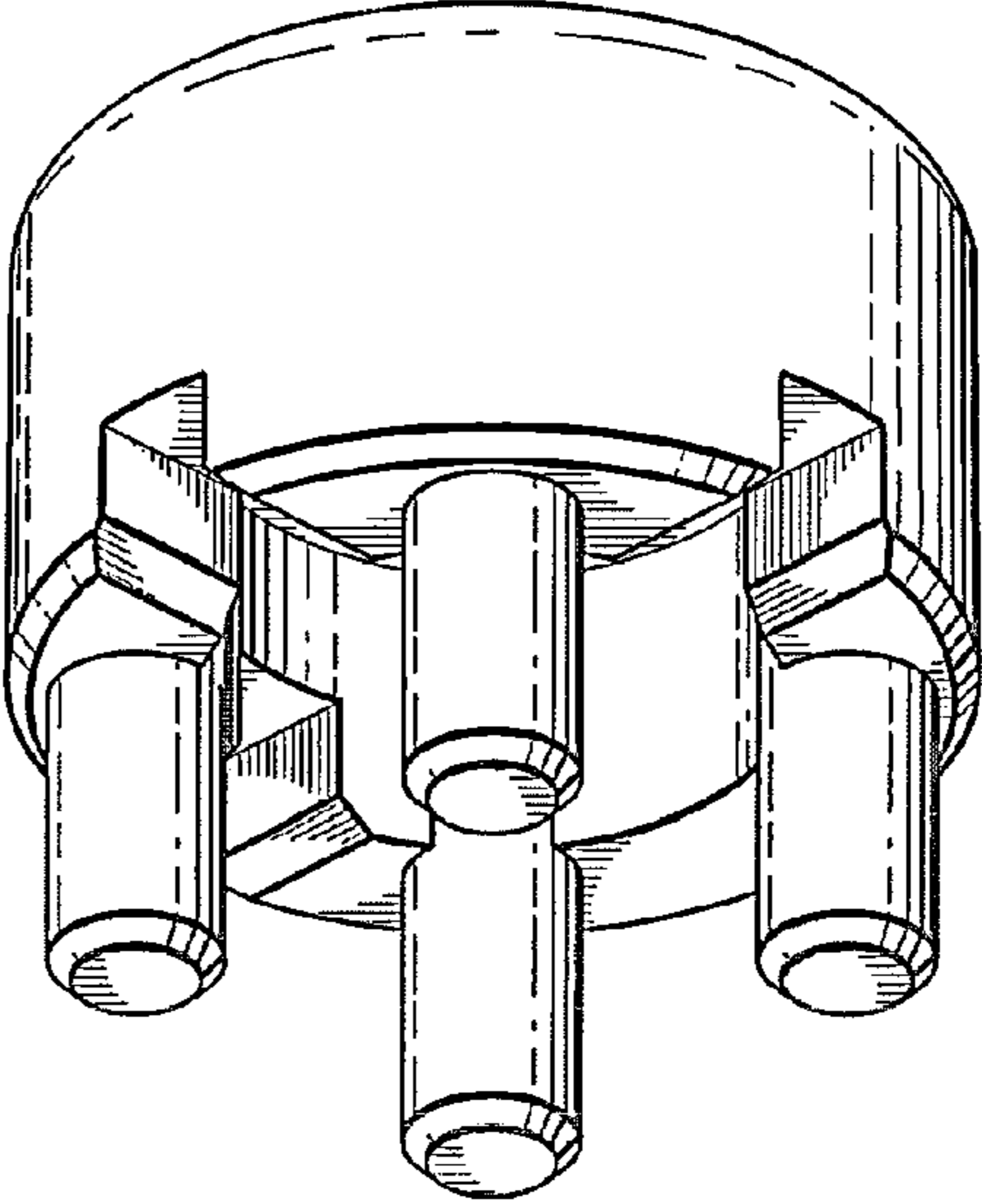


FIG. 2

FIG. 3

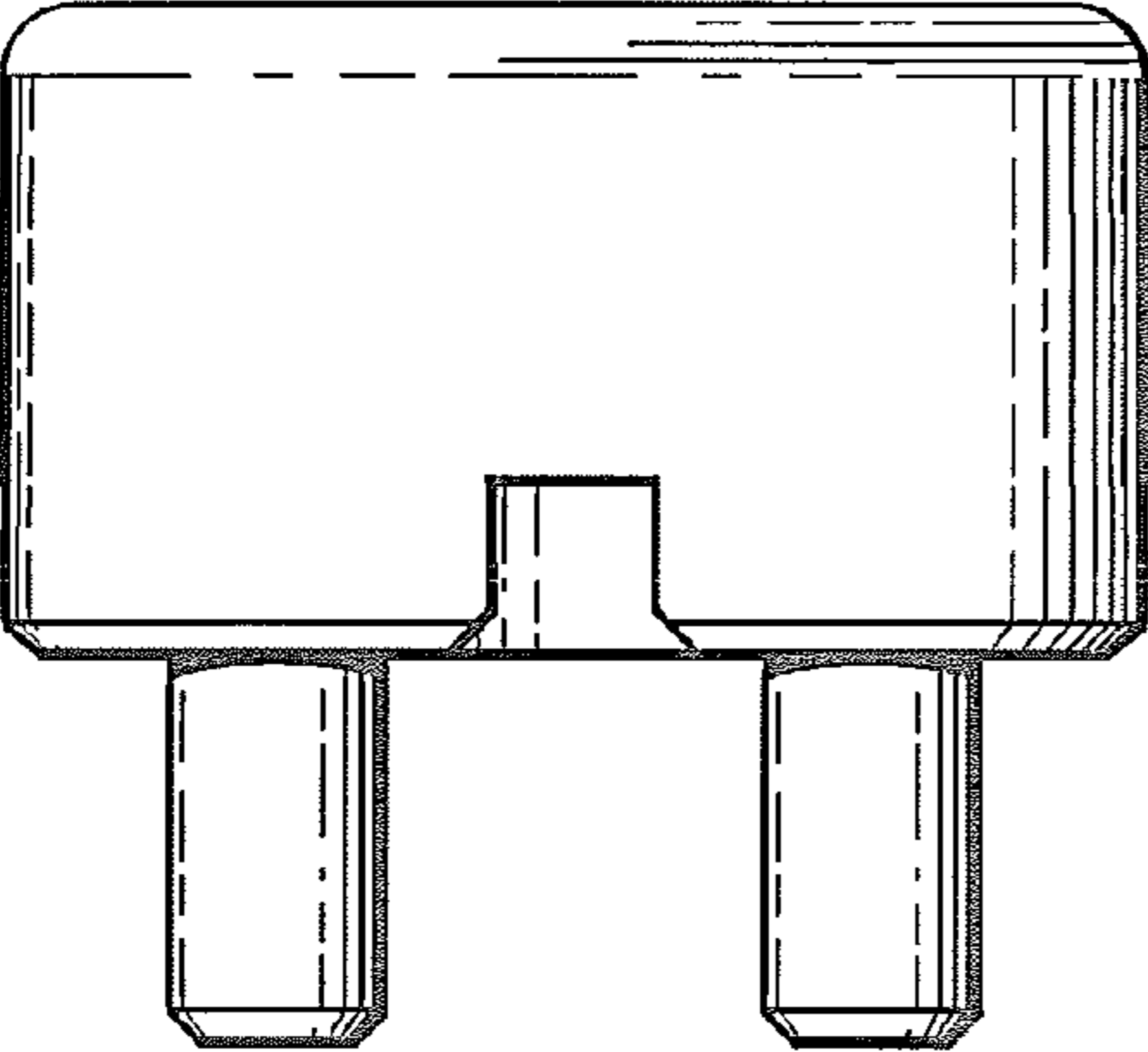


FIG. 4

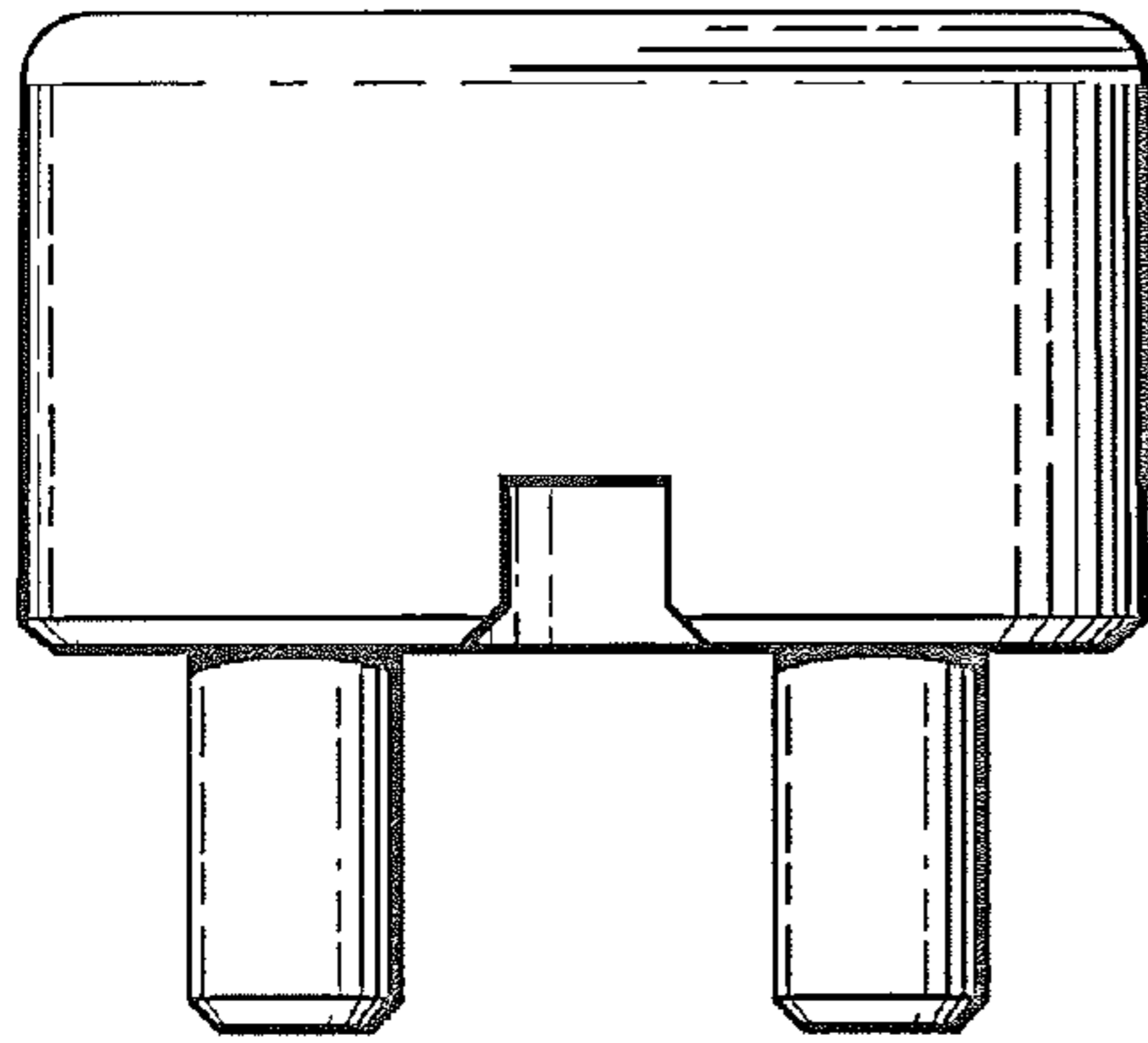


FIG. 5

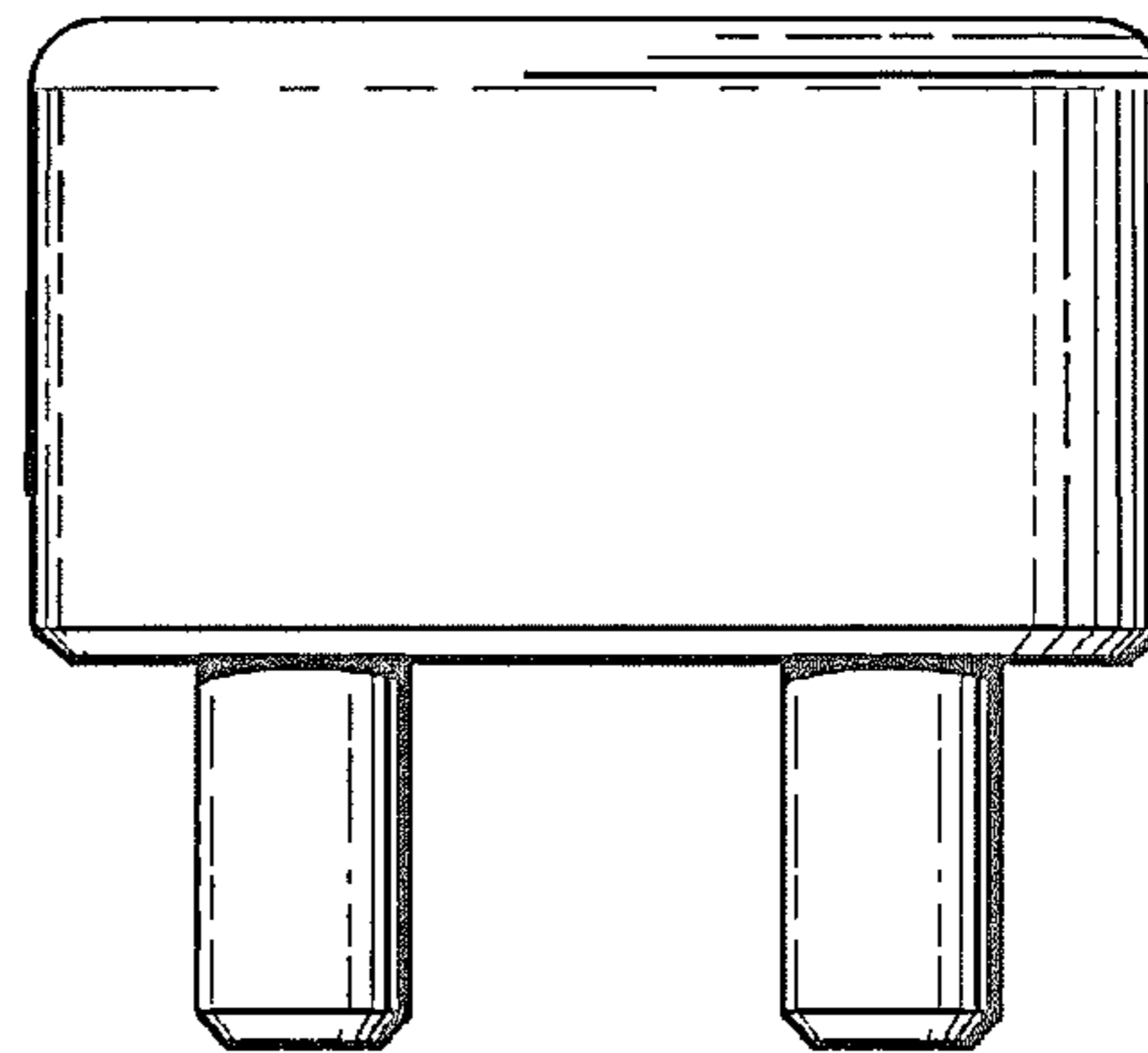


FIG. 6

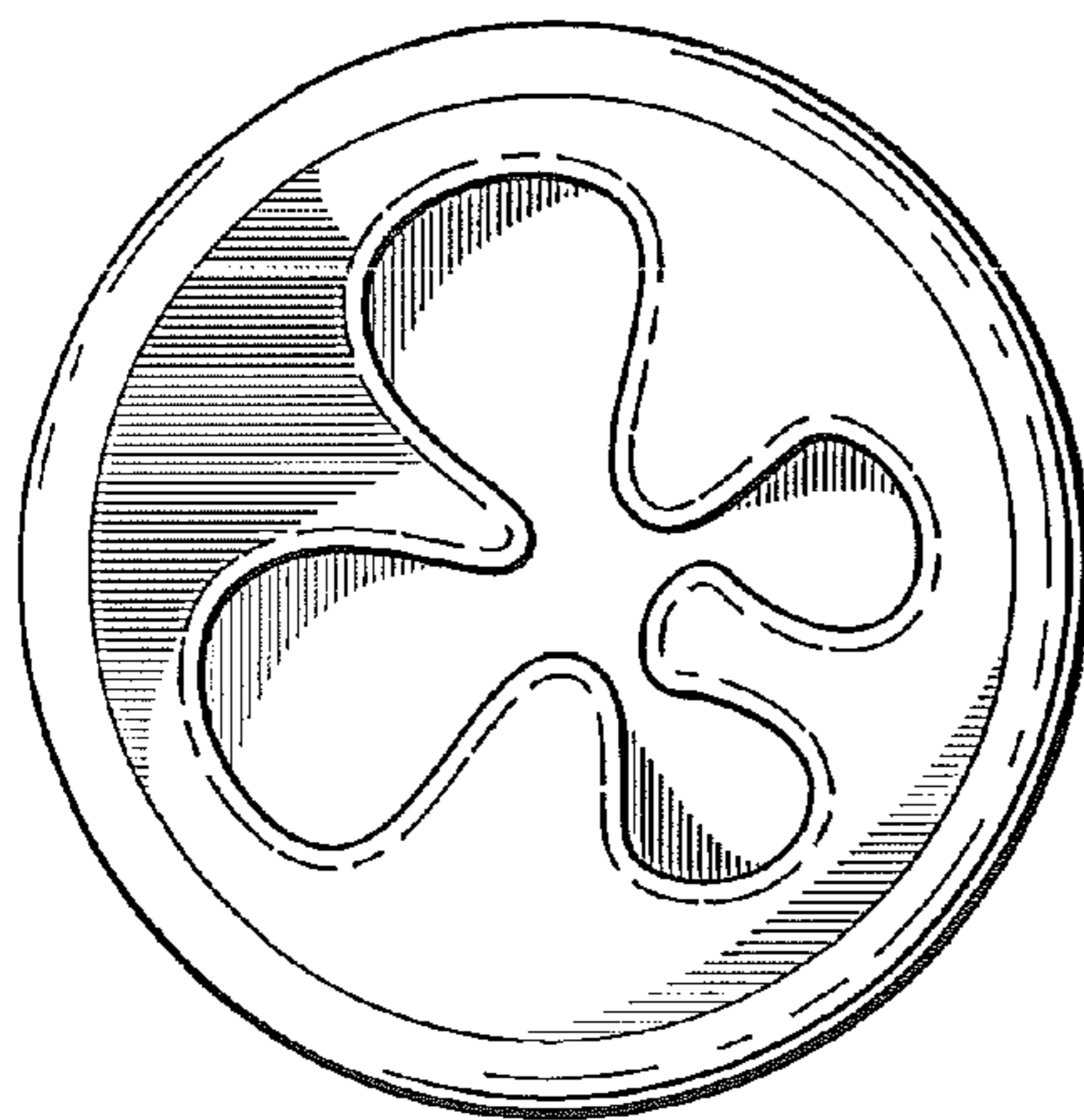


FIG. 7

