



US00D733716S

(12) **United States Design Patent**
Bang et al.

(10) **Patent No.:** **US D733,716 S**

(45) **Date of Patent:** **** Jul. 7, 2015**

(54) **FRAME FOR TELEVISION RECEIVER**

47/006; A47G 1/17; A47K 2201/00

See application file for complete search history.

(71) Applicant: **SAMSUNG ELECTRONICS CO., LTD.**, Suwon-si (KR)

(56) **References Cited**

(72) Inventors: **Sung-II Bang**, Seoul (KR); **Hae-Sung Park**, Seoul (KR)

U.S. PATENT DOCUMENTS

(73) Assignee: **SAMSUNG ELECTRONICS CO., LTD.** (KR)

1,580,496	A *	4/1926	Kelly	396/656
D163,206	S *	5/1951	Klotz, Jr.	D14/239
D383,794	S *	9/1997	Mullen	D6/300
D415,356	S *	10/1999	Trombly	D6/300
D497,166	S *	10/2004	Vick	D14/375
D542,296	S *	5/2007	Bockheim et al.	D14/451
7,441,357	B2 *	10/2008	Steer	40/603
D596,884	S *	7/2009	Wen	D6/502
D622,068	S *	8/2010	Wisniewski	D6/300
D631,714	S *	2/2011	Chen	D7/704
D675,031	S *	1/2013	Presgraves	D6/300

(**) Term: **14 Years**

(21) Appl. No.: **29/475,157**

(22) Filed: **Nov. 29, 2013**

(Continued)

(30) **Foreign Application Priority Data**

May 29, 2013 (KR) 30-2013-0027968

Primary Examiner — Deanna L Pratt

Assistant Examiner — Katie Mroczka

(51) **LOC (10) Cl.** **08-07**

(74) *Attorney, Agent, or Firm* — Cantor Colburn LLP

(52) **U.S. Cl.**
USPC **D14/451**

(57) **CLAIM**

(58) **Field of Classification Search**
USPC D14/371–375, 125–129, 336, 337, 448,
D14/451, 452, 492, 376–382, 450, 239;
341/12; D6/300, 311–313, 308, 708,
D6/310; 348/180, 184, 325, 739; D19/2;
361/679.05–679.07, 679.21

We claim, the ornamental design for a frame for television receiver, as shown and described.

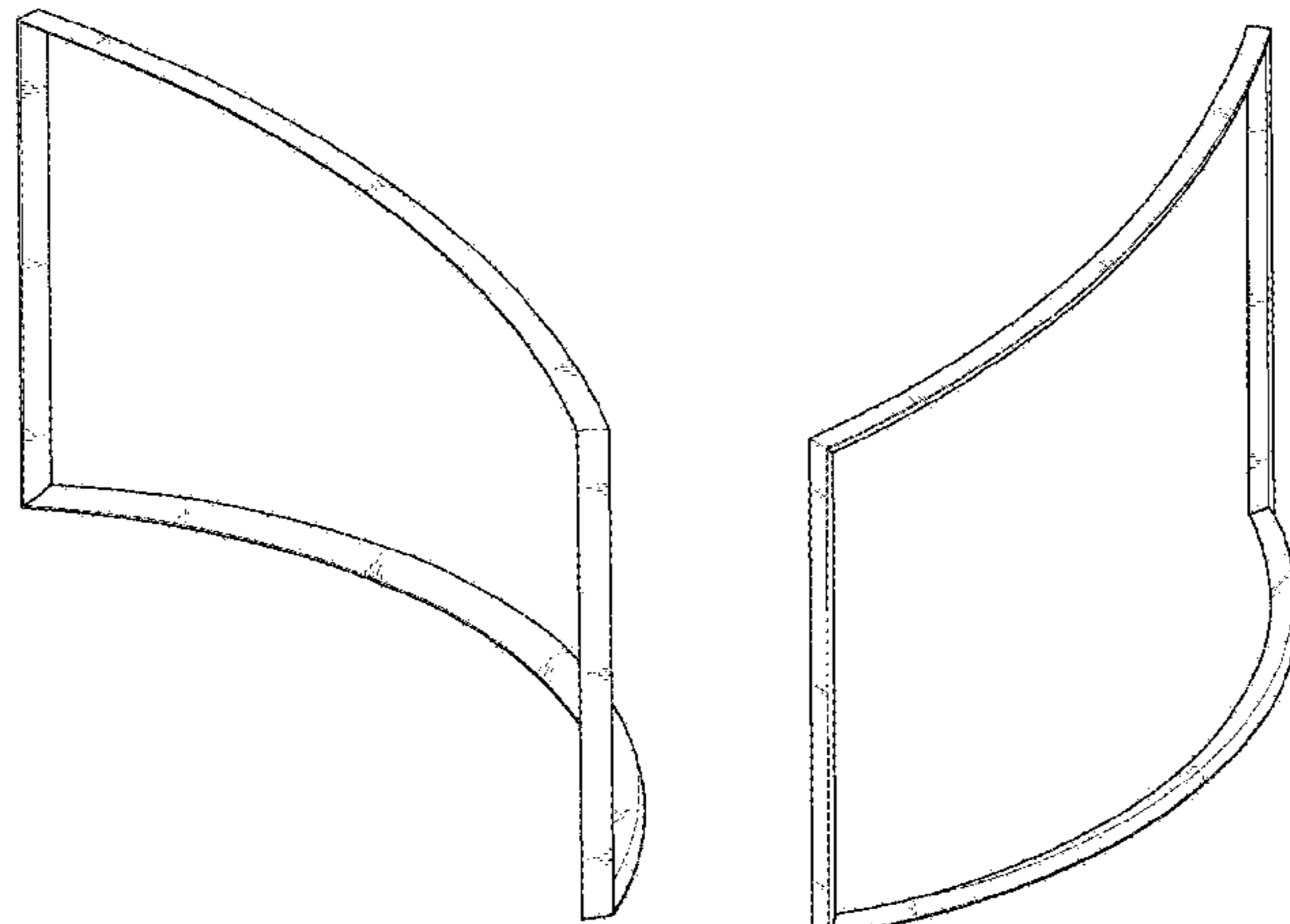
CPC G06F 3/0412; G06F 3/016; G06F 3/0488;
G06F 3/011; G06F 3/038; G06F 3/03543;
G06F 3/0338; G06F 3/0202; G06F 3/0219;
G06F 3/0213; G06F 1/1616; G06F 3/023;
G06F 3/04883; G02F 1/13338; G02F 1/1313;
G02F 1/1333; G02F 1/135; G02F 1/132;
G02F 1/133308; G02F 1/134309; G02F
1/13718; G09G 3/3648; G06K 15/1252;
B41J 2/465; G03F 7/70291; G02B 27/0172;
G02B 5/30; G02B 2027/0118; G02B 27/0101;
F16M 13/02; F16M 13/00; F16M 11/10;
F16M 11/04; F16M 2200/08; F16M 11/2021;
A47B 21/0314; A47B 88/044; A47B
2021/0335; H02G 3/126; F16B 47/00; F16B

DESCRIPTION

FIG. 1 is a front perspective view of a frame for television receiver showing our new design;
FIG. 2 is a front elevation view of thereof;
FIG. 3 is a rear elevation view of thereof;
FIG. 4 is a side elevation view of thereof;
FIG. 5 is another side elevation view of thereof;
FIG. 6 is a top plan view of thereof;
FIG. 7 is a bottom plan view of thereof;
FIG. 8 is a rear perspective view thereof; and,
FIG. 9 is a front perspective view thereof, as shown in a television environment.

The shade lines in the figures show contour and not surface ornamentation. The dot dash lines in FIG. 9 represent the environment of the claimed design and form no part thereof.

1 Claim, 9 Drawing Sheets



US D733,716 S

Page 2

(56)

References Cited

U.S. PATENT DOCUMENTS

D716,276 S * 10/2014 Yoon et al. D14/239
D717,283 S * 11/2014 Yoon et al. D14/239
D719,116 S * 12/2014 Bang et al. D14/126

D719,117 S * 12/2014 Huh et al. D14/126
D720,316 S * 12/2014 Huh et al. D14/126
D721,666 S * 1/2015 Son et al. D14/126
D724,042 S * 3/2015 Chang D14/126

* cited by examiner

FIG. 1

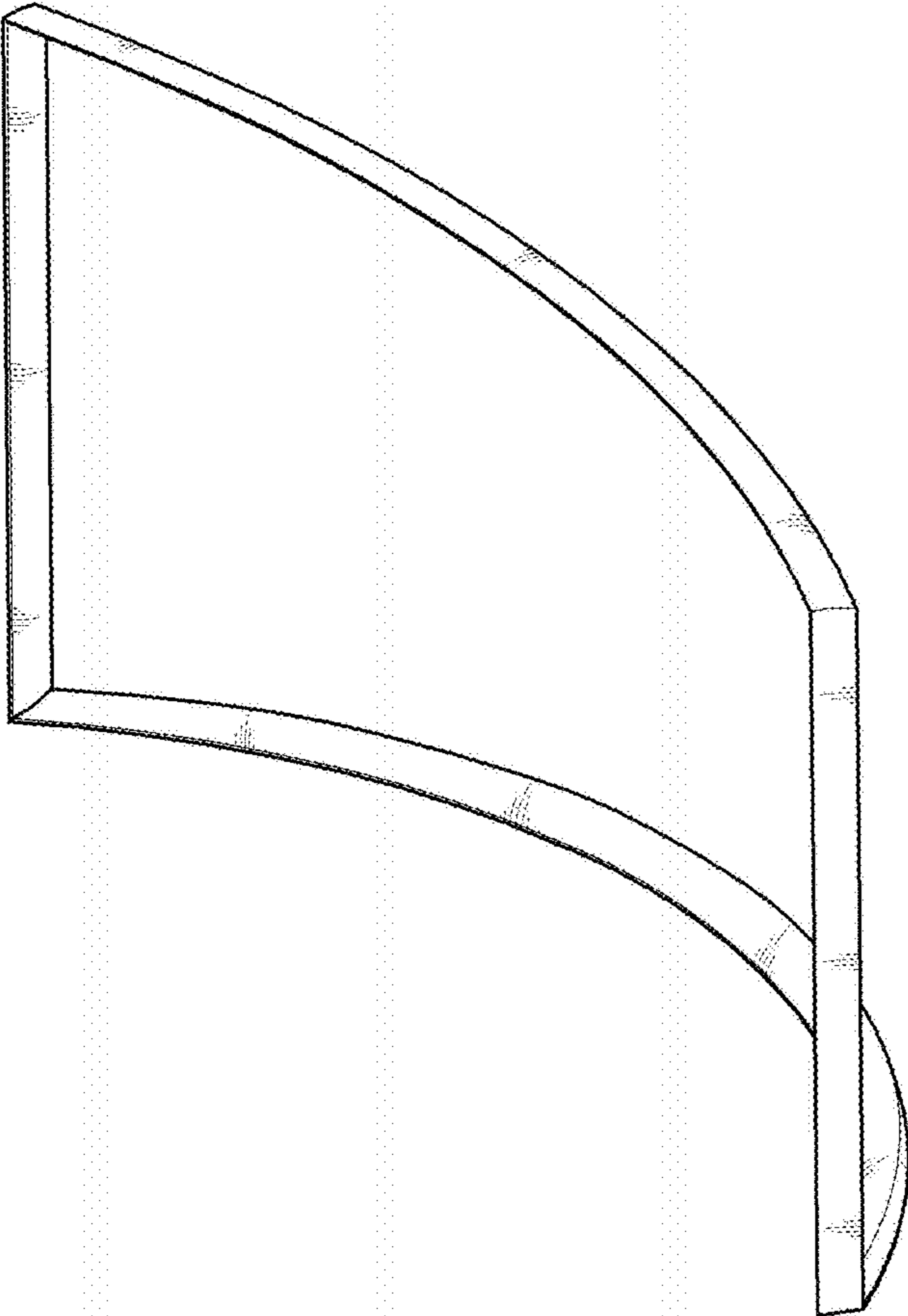


FIG. 2

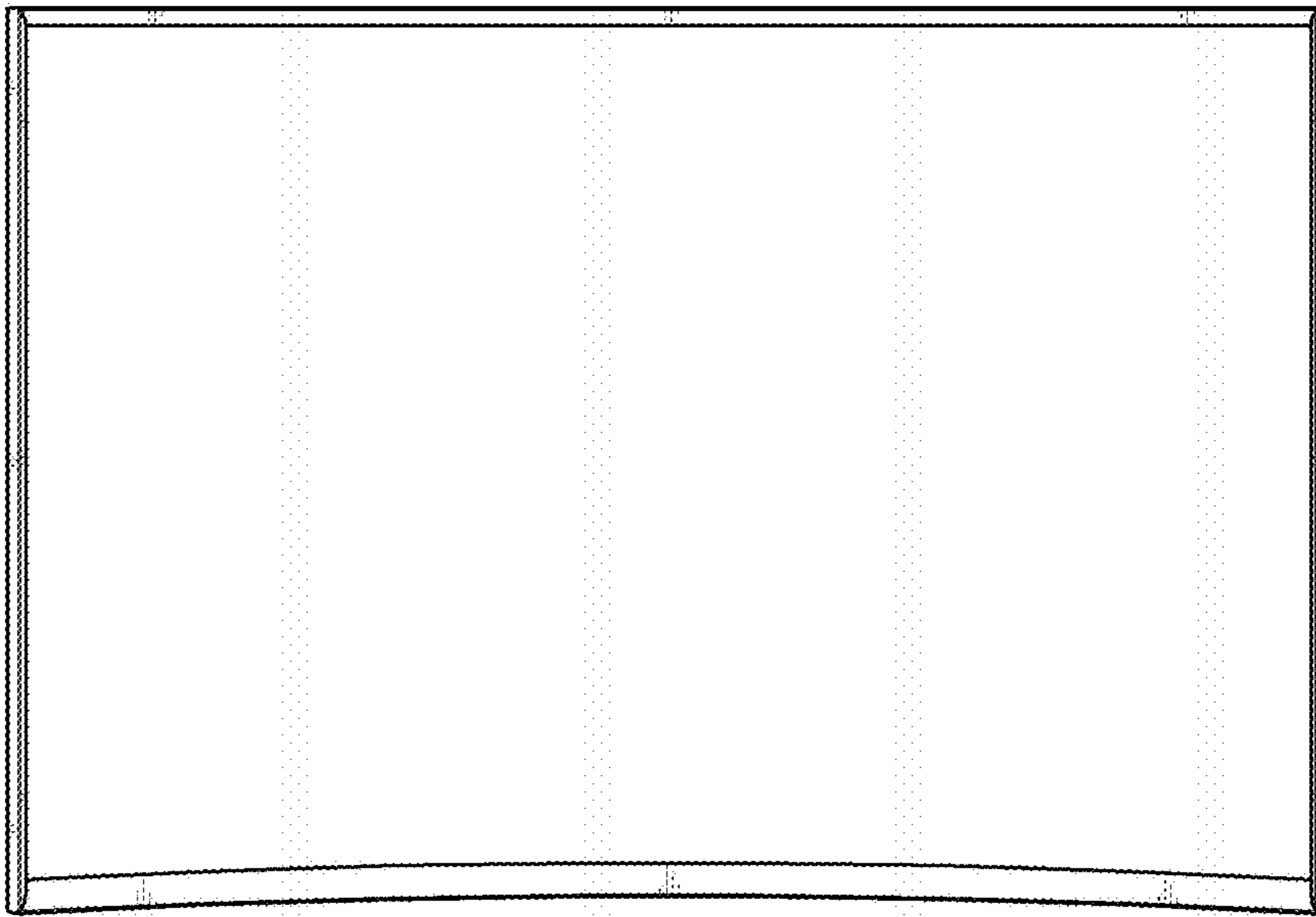


FIG. 3

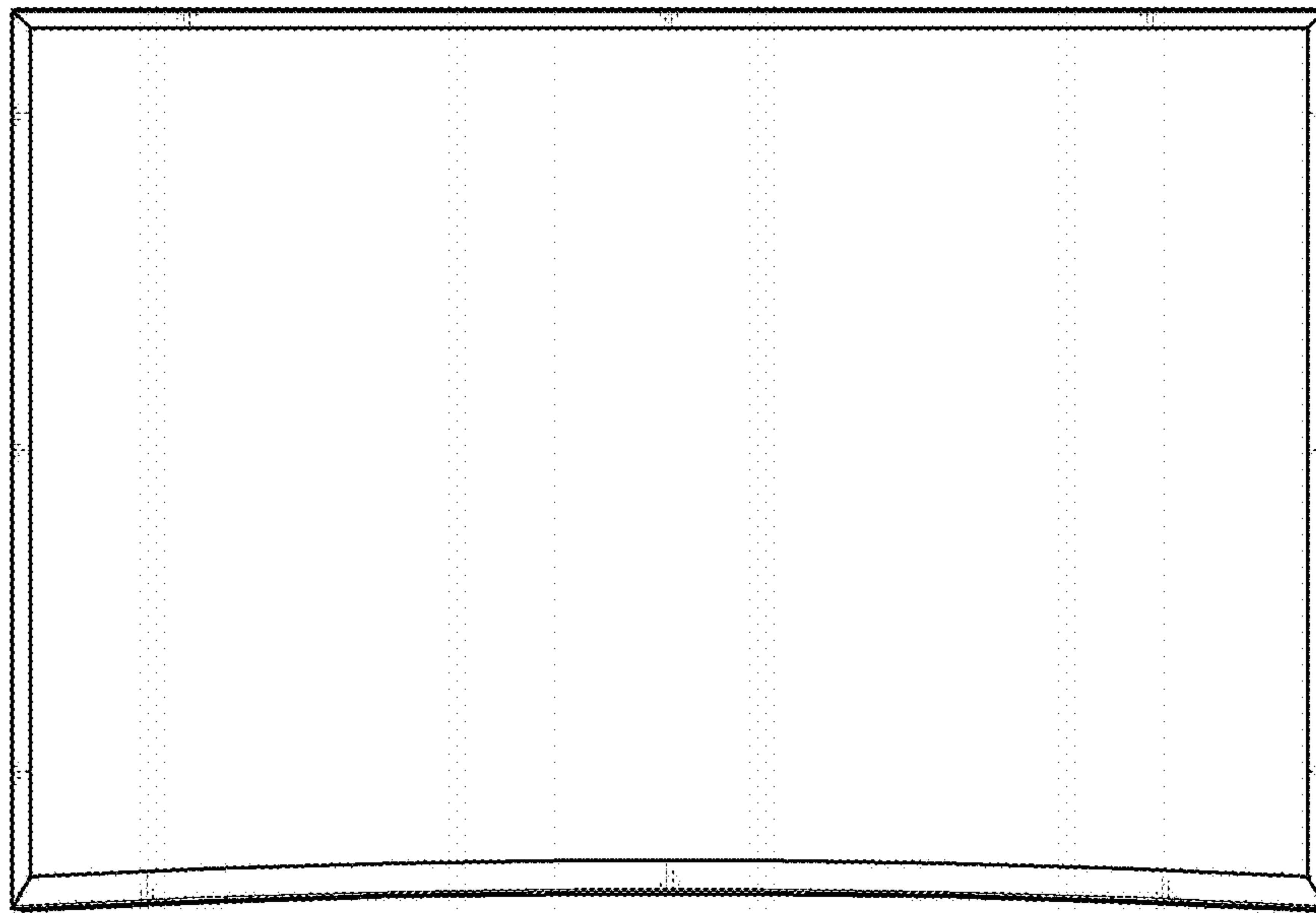


FIG. 4

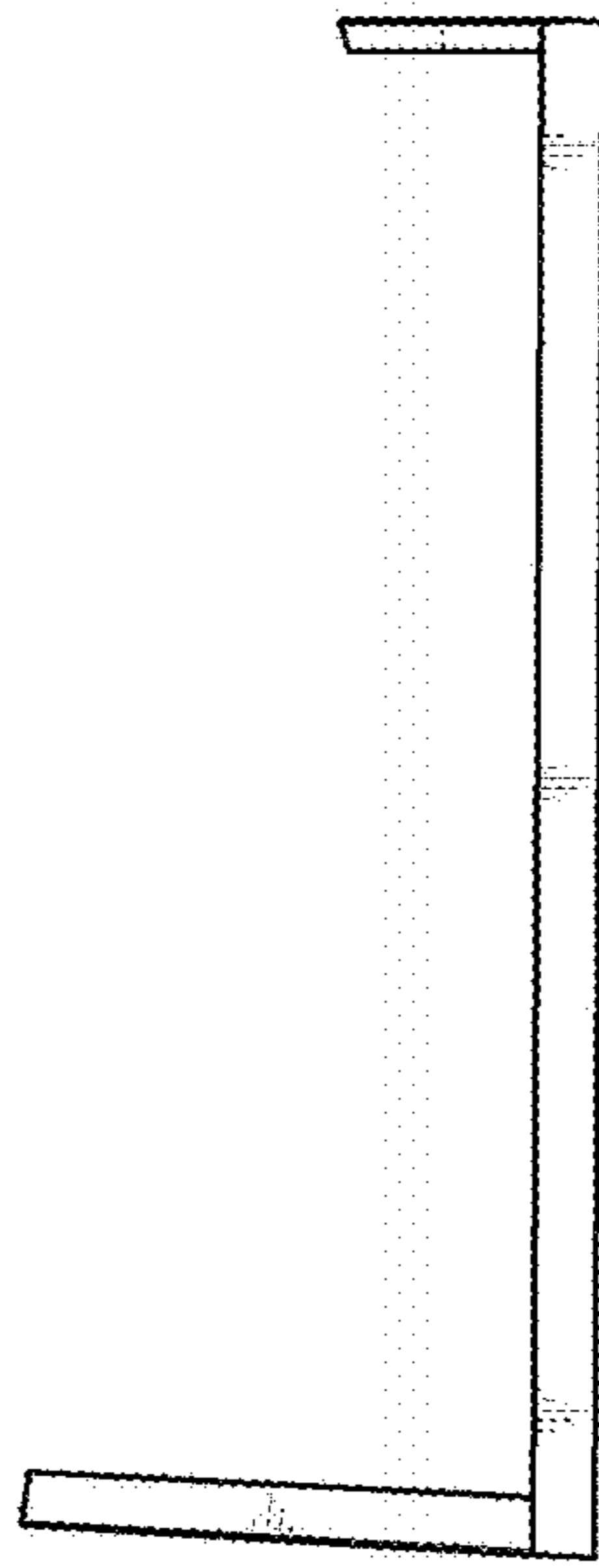


FIG. 5

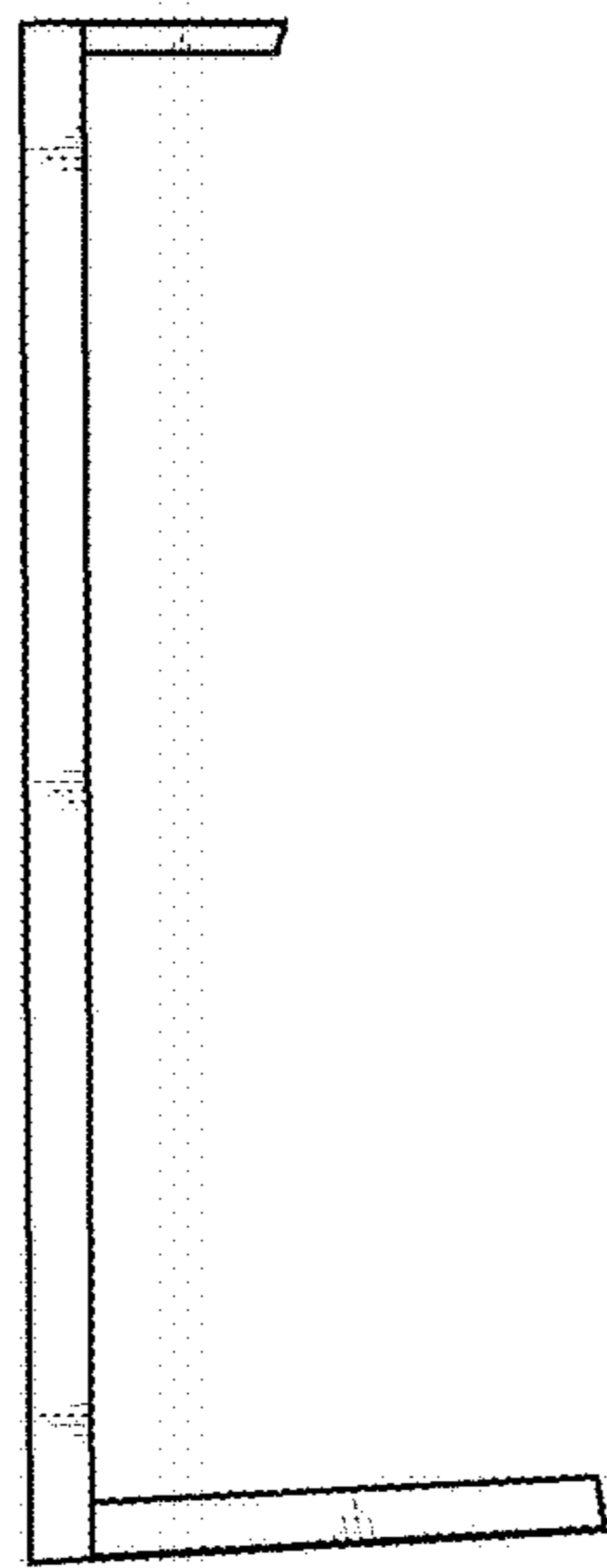


FIG. 6

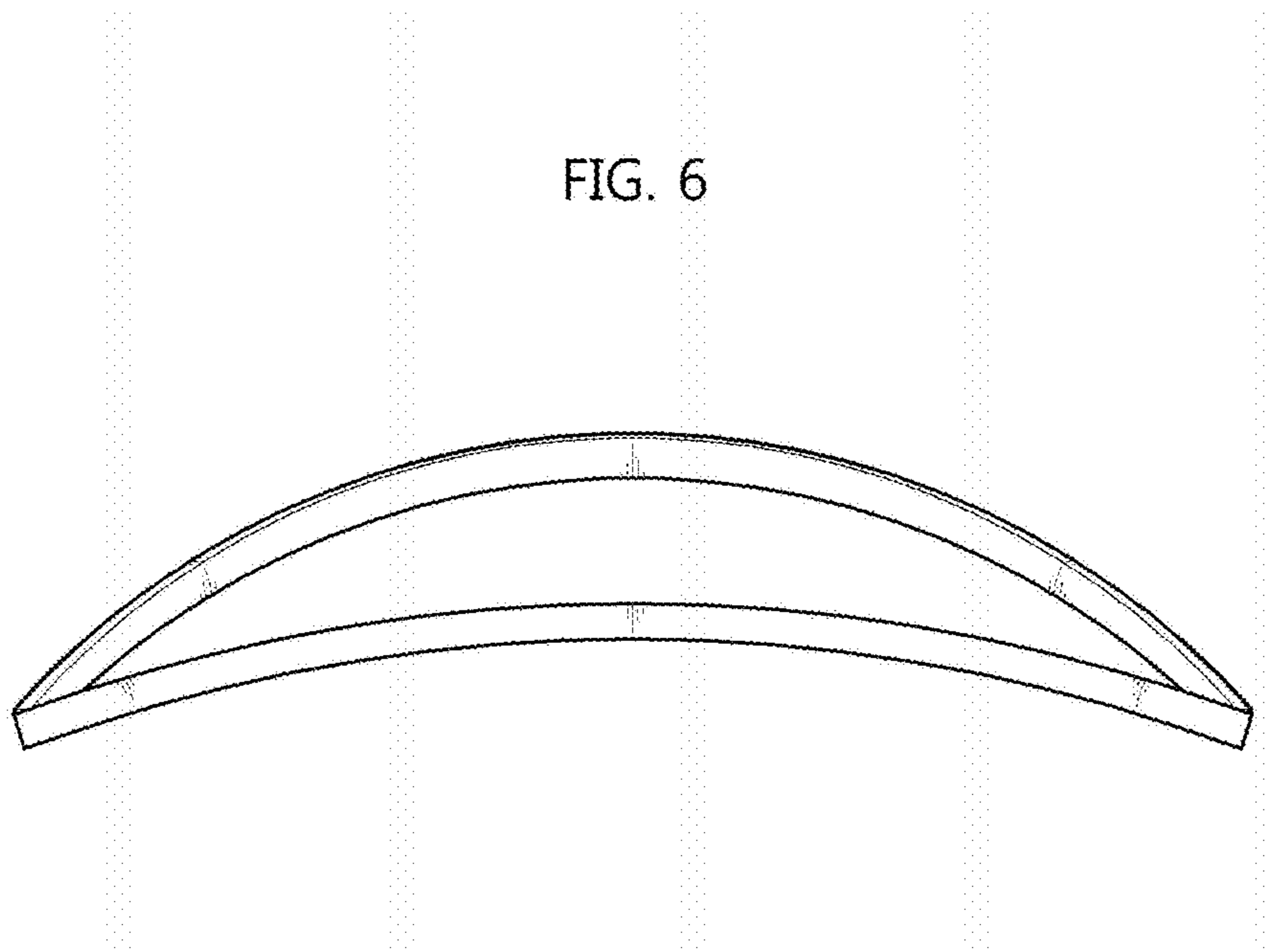


FIG. 7

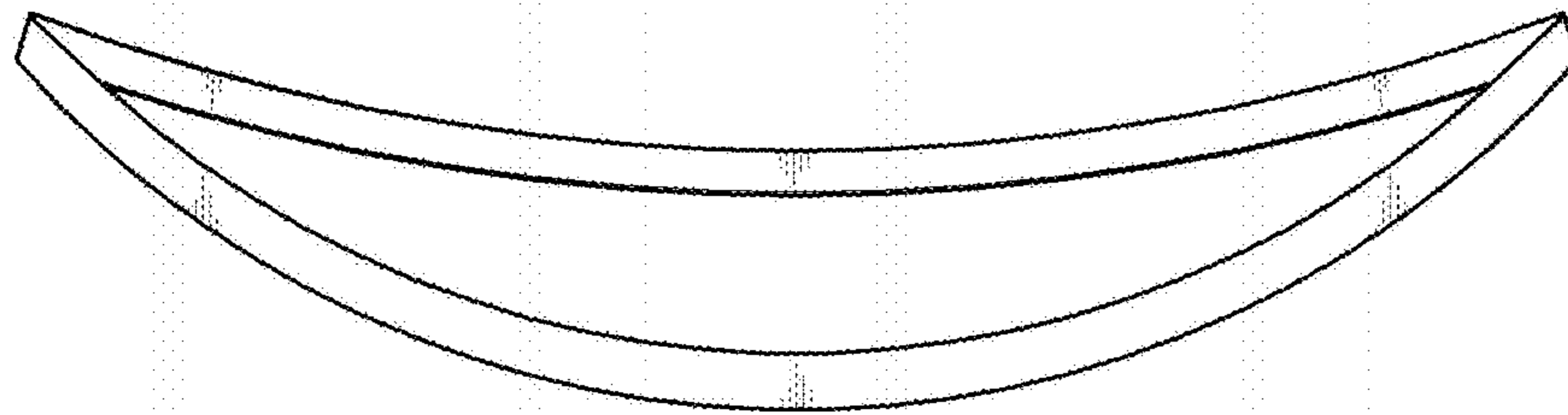


FIG. 8

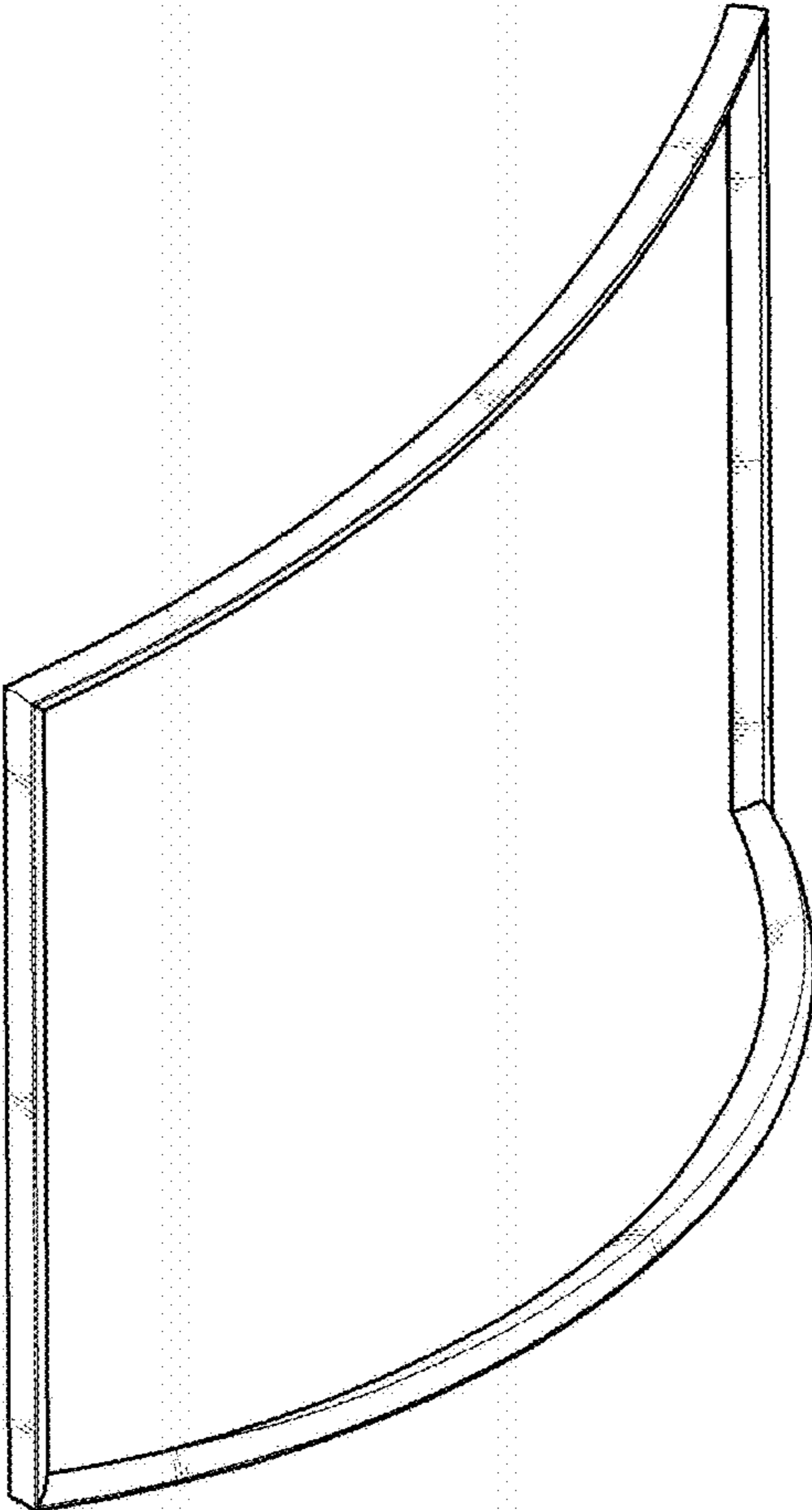


FIG. 9

