



US00D733714S

(12) **United States Design Patent**
Ballou et al.

(10) **Patent No.:** **US D733,714 S**
(45) **Date of Patent:** **** Jul. 7, 2015**

- (54) **CASE FOR ELECTRONIC PAD**
- (71) Applicant: **Pelican Products, Inc.**, Torrance, CA (US)
- (72) Inventors: **Daniel Ballou**, Long Beach, CA (US);
Joven De La Vega, Downey, CA (US);
Dustin Bullock, Austin, TX (US)
- (73) Assignee: **PELICAN PRODUCTS, INC.**, Torrance, CA (US)
- (**) Term: **14 Years**
- (21) Appl. No.: **29/477,431**
- (22) Filed: **Dec. 20, 2013**
- (51) **LOC (10) Cl.** **14-04**
- (52) **U.S. Cl.**
USPC **D14/440**
- (58) **Field of Classification Search**
USPC D14/250, 251, 253, 240, 217, 496, 440,
D14/203.3, 203.4, 203.5, 203.8, 341, 318;
D3/218, 215, 201, 294, 289, 900;
220/4.02; 248/309.1; 361/679.56;
379/426, 433.11, 455; 455/575.1,
455/575.8, 457.1; 190/100; 206/305, 320,
206/45.2; D21/469; 312/240
CPC ... G06F 1/1601; G06F 1/1626; G06F 1/1633;
G06F 1/1675; G06F 1/1679; G02F 1/1306;
G02F 1/133; G02F 1/1333; G02F 1/153;
G02F 1/1533; G02F 2001/133317; H04M
1/185; H04M 1/0252; H04B 1/3888
See application file for complete search history.

(56) **References Cited**

U.S. PATENT DOCUMENTS

- 4,259,568 A * 3/1981 Dynesen 235/1 D
- 5,847,698 A * 12/1998 Reavey et al. 345/173
- 6,269,948 B1 * 8/2001 Jackson 206/320

- D499,551 S * 12/2004 Lederer et al. D3/299
- D517,545 S * 3/2006 Buckel et al. D14/345
- D517,911 S * 3/2006 Alexander et al. D9/433
- 7,281,698 B2 * 10/2007 Patterson, Jr. 248/458
- D669,480 S * 10/2012 Piedra et al. D14/440
- 8,312,991 B2 * 11/2012 Diebel et al. 206/45.24
- D674,799 S * 1/2013 Kim D14/440
- D674,800 S * 1/2013 Kim D14/440
- D690,305 S * 9/2013 Wen D14/440
- D696,256 S * 12/2013 Piedra et al. D14/440
- D699,244 S * 2/2014 Buckley D14/440
- D702,673 S * 4/2014 Murchison et al. D14/250
- D706,783 S * 6/2014 Almodova D14/440
- D707,229 S * 6/2014 Almodova D14/440
- 8,763,795 B1 * 7/2014 Oten et al. 206/45.23
- 2010/0110629 A1 * 5/2010 Dietz et al. 361/679.55
- 2010/0294683 A1 * 11/2010 Mish et al. 206/320
- 2012/0043234 A1 * 2/2012 Westrup 206/320
- 2012/0212896 A1 * 8/2012 Schulz 361/679.02

* cited by examiner

Primary Examiner — Cynthia Underwood

(74) *Attorney, Agent, or Firm* — Foley & Lardner LLP

(57) **CLAIM**

We claim the ornamental design for a case for electronic pad, as shown and described.

DESCRIPTION

FIG. 1 is a perspective view of a case for electronic pad of the claimed design;
 FIG. 2 is a front view thereof;
 FIG. 3 is a rear view thereof;
 FIG. 4 is a left view thereof;
 FIG. 5 is a right view thereof
 FIG. 6 is a top view thereof; and,
 FIG. 7 is a bottom view thereof.
 The broken lines in the drawings are for illustrative purposes only and form no part of the claimed design.

1 Claim, 5 Drawing Sheets

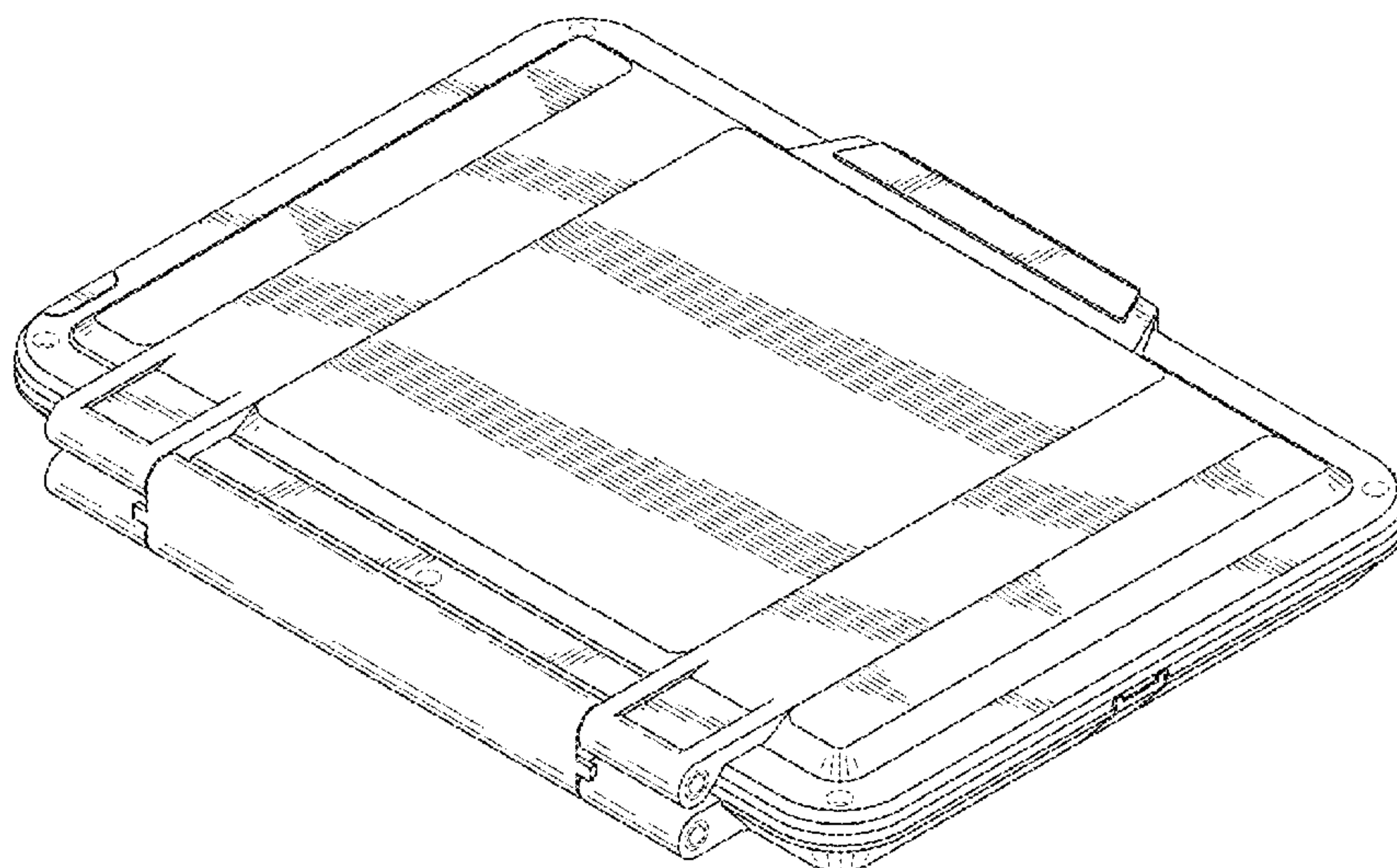


Fig. 1

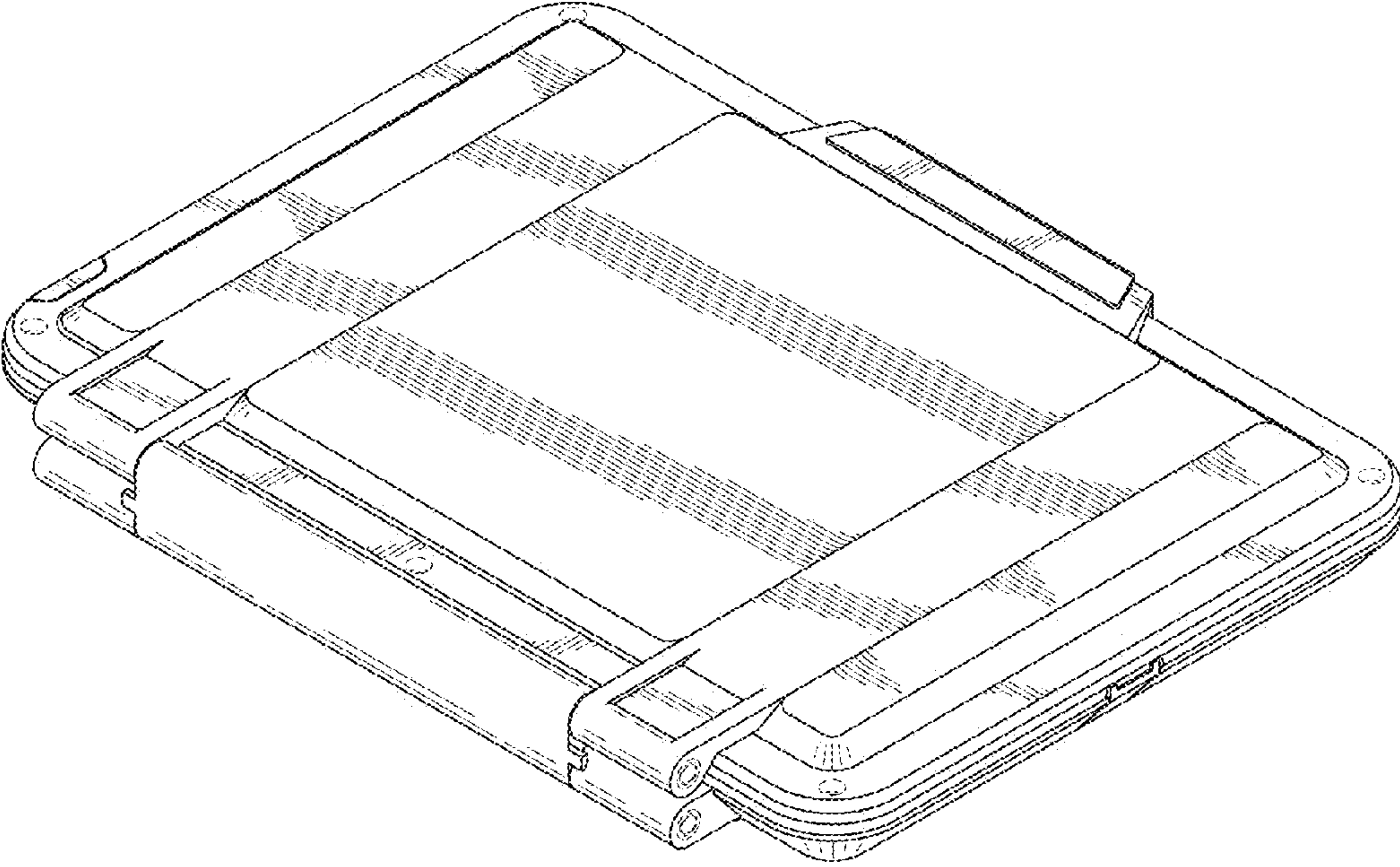


Fig. 2

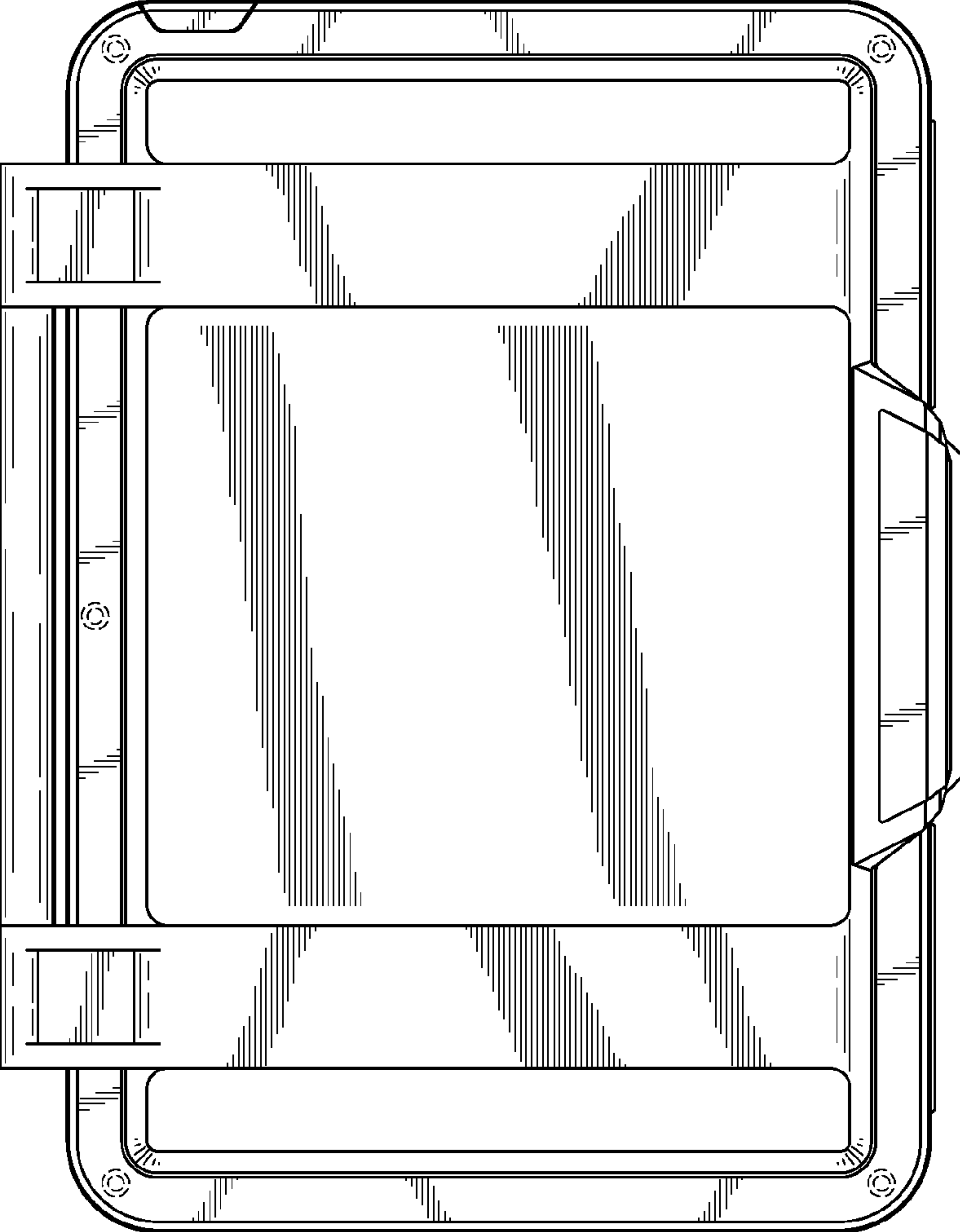


Fig. 3

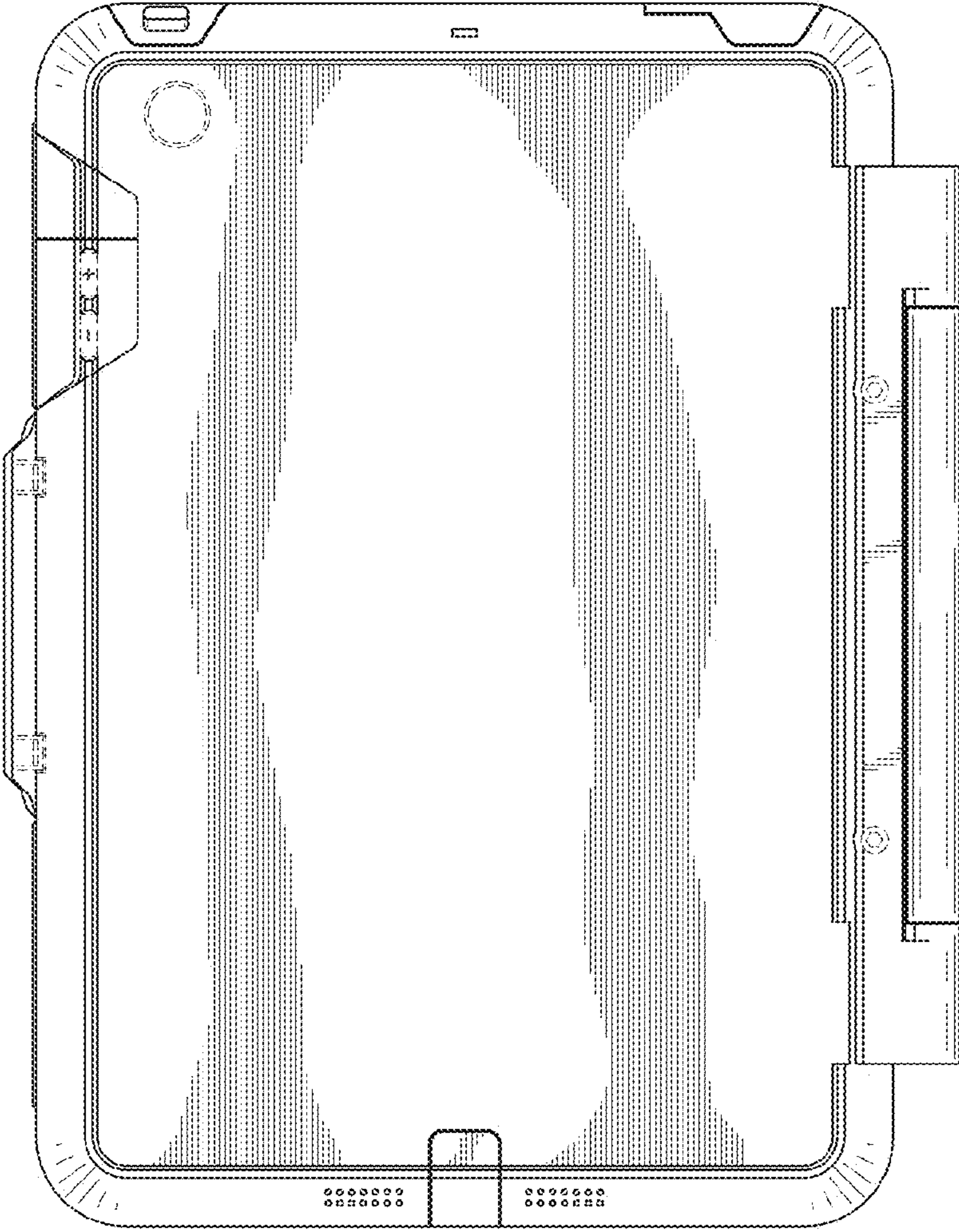


Fig. 4

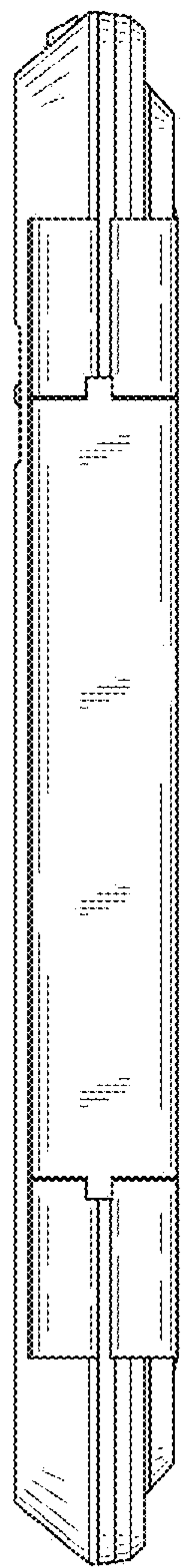


Fig. 5

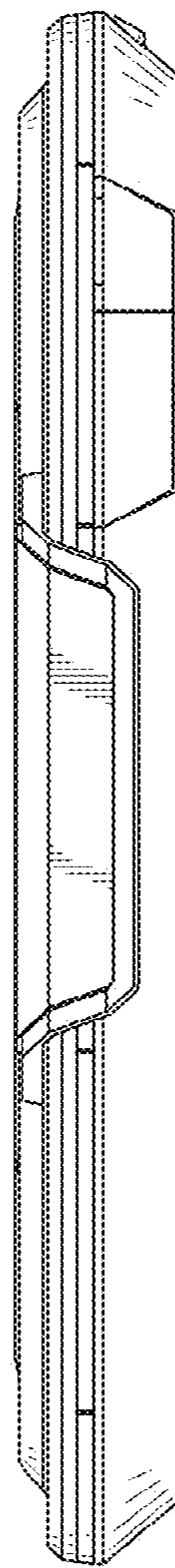


Fig. 6

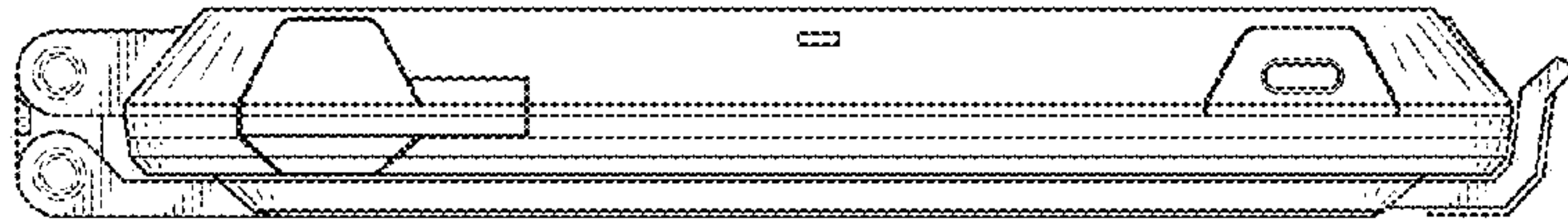


Fig. 7

