

US00D733711S

(12) **United States Design Patent**
Nakagawa et al.

(10) **Patent No.:** **US D733,711 S**
(45) **Date of Patent:** **** Jul. 7, 2015**

(54) **SCANNER**

(71) Applicant: **BROTHER INDUSTRIES, LTD.**,
Nagoya-shi, Aichi-ken (JP)

(72) Inventors: **Ryoichi Nakagawa**, Kiyosu (JP);
Jihoon Kil, Nagoya (JP); **Jiro Suzuki**,
Kariya (JP)

(73) Assignee: **BROTHER INDUSTRIES, LTD.**,
Nagoya (JP)

(**) Term: **14 Years**

(21) Appl. No.: **29/491,324**

(22) Filed: **May 20, 2014**

(30) **Foreign Application Priority Data**

Nov. 20, 2013 (JP) 2013-27142

(51) **LOC (10) Cl.** **14-02**

(52) **U.S. Cl.**
USPC **D14/421**

(58) **Field of Classification Search**
USPC D14/421-425; D18/55, 49, 46, 40,
D18/36-39, 41, 44, 45, 47, 48, 50-54, 56;
235/462, 455, 470, 462.43, 482, 483;
358/474, 486, 488, 496, 497, 498, 452,
358/449, 451, 453, 1.13; 318/685, 696;
355/81, 75; 399/405, 367, 379, 380;
382/217; 715/209, 222, 226, 274;
400/613, 613.1-613.4, 690.1-690.4,
400/691-694

CPC H04N 1/00; H04N 1/12; H04N 1/00013;
H04N 1/00015; H04N 1/00018; H04N
1/00026; H04N 1/00557; H04N 1/00564;
H04N 1/00567; H04N 1/0057; H04N 1/00572;
H04N 1/00586; H04N 1/00588; H04N
1/00591; H04N 1/00594; H04N 1/00596;
H04N 1/00604; H04N 1/00519; H04N
1/00559; H04N 1/1013; H04N 1/10; H04N
1/00551; H04N 1/00278; H04N 2201/0456;
H04N 2201/0446; H04N 2201/00; H04N
2201/0094; G03G 15/0142; G03G 15/605;
G03G 15/602; B65H 5/26; B65H 5/30;

B65H 5/36; B65H 7/00; B65H 2402/515;
B65H 2402/31; B65H 2511/20; B65H
2511/414; B65H 2513/42; B65H 2801/39;
B65H 2801/31; B65H 2215/00189; B65H
2215/00194; B65H 2215/00198; B65H
2215/00202; B65H 2215/00206; B65H
2215/20; B65H 2301/00; B65H 2220/04;
B65H 3/5261

See application file for complete search history.

(56) **References Cited**

U.S. PATENT DOCUMENTS

D194,815 S * 3/1963 Graves D18/36
3,155,031 A * 11/1964 Ingves et al. 101/19

(Continued)

FOREIGN PATENT DOCUMENTS

JP D-1386502 7/2011

OTHER PUBLICATIONS

U.S. Appl. No. 29/491,323, filed May 20, 2014 in the name of
Ryoichi Nakagawa.

(Continued)

Primary Examiner — Susan Moon Lee
(74) *Attorney, Agent, or Firm* — Oliff PLC

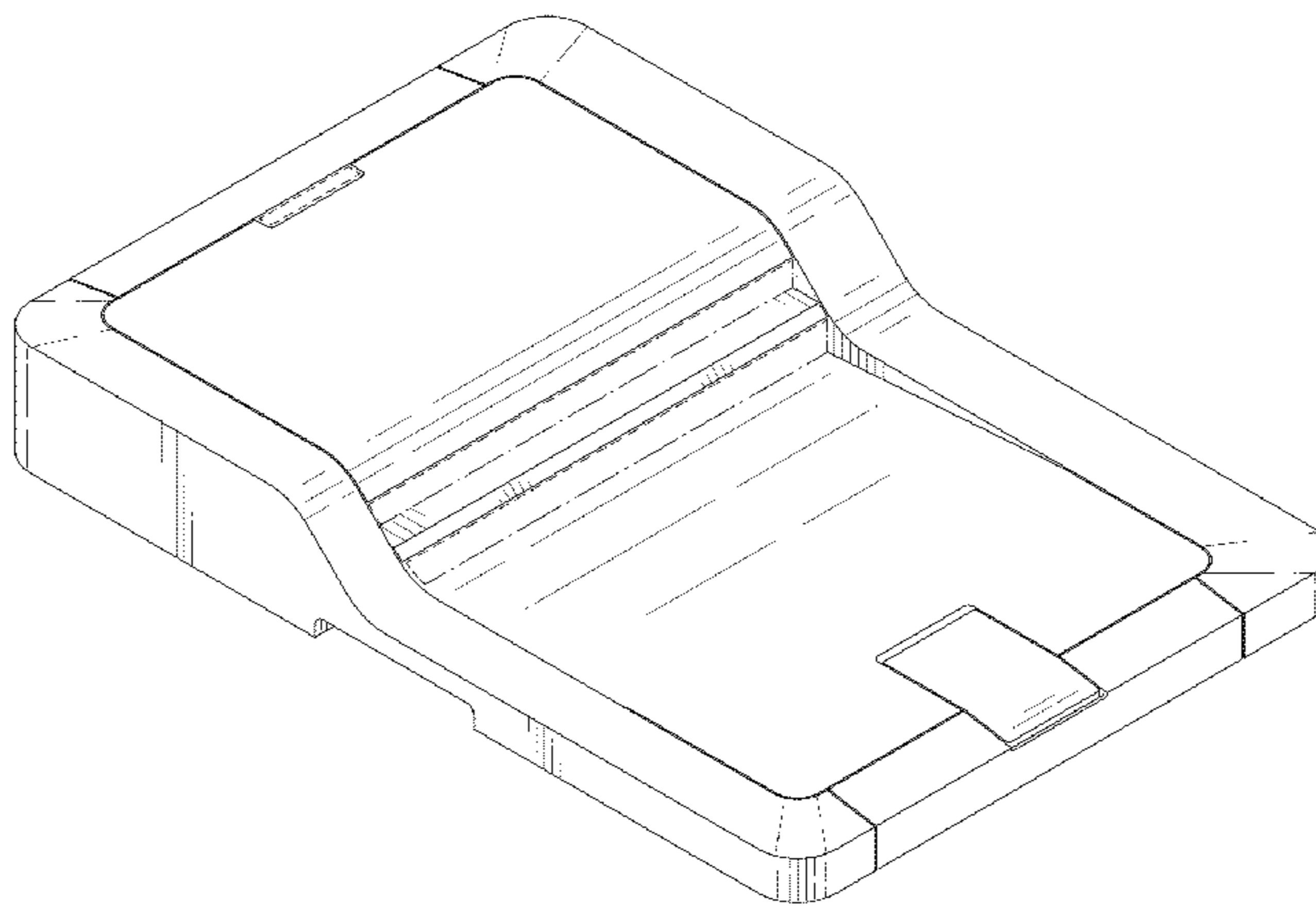
(57) **CLAIM**

The ornamental design for a scanner, as shown and described.

DESCRIPTION

FIG. 1 is a perspective view of a scanner;
FIG. 2 is a front view thereof;
FIG. 3 is a top view thereof;
FIG. 4 is a right-side view thereof;
FIG. 5 is a left-side view thereof;
FIG. 6 is a rear view thereof; and,
FIG. 7 is a bottom view thereof.
Broken lines and entirely unshaded portions contained within
broken lines are not claimed. Dot-dash boundary lines indi-
cate the border at which disclaimed portions terminate and
claimed portions begin.

1 Claim, 4 Drawing Sheets



(56)

References Cited

U.S. PATENT DOCUMENTS

- D227,034 S * 5/1973 Derby et al. D18/49
D234,005 S * 12/1974 Yagi et al. D18/49
D263,962 S * 4/1982 Kurozumi D18/49
D265,655 S * 8/1982 Goto D18/38
D272,830 S * 2/1984 Hara et al. D18/49
D276,238 S * 11/1984 Kosako et al. D18/49
D278,347 S * 4/1985 Kawazu D18/49
D279,783 S * 7/1985 Jordan et al. D18/55
D280,906 S * 10/1985 Imada D18/37
D282,667 S * 2/1986 Hara et al. D18/49
D283,625 S * 4/1986 Goto D18/49
4,674,735 A * 6/1987 DuBois et al. 271/10.13
D295,185 S * 4/1988 Tokuda D18/49
D298,948 S * 12/1988 Ishii et al. D18/49
D299,833 S * 2/1989 Hirata D18/49
D303,547 S * 9/1989 Katada D18/49
D310,238 S * 8/1990 Hirata D18/49
D310,239 S * 8/1990 Hirata D18/49
4,955,595 A * 9/1990 Kawano et al. 271/9.09
D311,755 S * 10/1990 Aoyama et al. D18/49
D311,909 S * 11/1990 Chen D14/420
D314,789 S * 2/1991 Hirata et al. D18/49
D316,268 S * 4/1991 Miyajima et al. D18/49
D319,072 S * 8/1991 Tanizawa et al. D18/49
D322,626 S * 12/1991 Imai D18/49
D324,536 S * 3/1992 Isomoto et al. D18/49
D326,867 S * 6/1992 Kwak D18/55
D328,758 S * 8/1992 Isomoto D18/49
D329,869 S * 9/1992 Suzuki D18/49
D337,605 S * 7/1993 Tashiro et al. D18/49
D337,606 S * 7/1993 Khovaylo D18/49
D344,095 S * 2/1994 Isomoto et al. D18/49
D350,765 S * 9/1994 Hiroki et al. D18/36
D350,769 S * 9/1994 Hattori et al. D18/49
D354,078 S * 1/1995 Hiroki D18/49
D354,307 S * 1/1995 Yamamoto D18/49
D367,495 S * 2/1996 Chen et al. D18/49
D374,457 S * 10/1996 Naruki D18/49
D380,204 S * 6/1997 Kogoh et al. D14/425
D384,693 S * 10/1997 Kenmochi et al. D18/49
D403,696 S * 1/1999 Kobayashi et al. D18/40
D403,698 S * 1/1999 Kobayashi et al. D18/49
D404,421 S * 1/1999 Takeuchi D18/49
D405,110 S * 2/1999 Yamamoto et al. D18/54
D421,043 S * 2/2000 Shibata et al. D18/39
D421,622 S * 3/2000 Khovaylo et al. D18/49
D430,595 S * 9/2000 Khovaylo et al. D18/49
D435,859 S * 1/2001 Khovaylo et al. D18/49
D436,122 S * 1/2001 Isomoto D18/49
D436,369 S * 1/2001 Sasaki et al. D18/39
D437,348 S * 2/2001 Hirose et al. D18/55
D437,878 S * 2/2001 Nakada et al. D18/40
D449,063 S * 10/2001 Khovaylo et al. D18/49
D453,785 S * 2/2002 Grossmann D18/48
D465,801 S * 11/2002 Falk et al. D18/39
D472,266 S * 3/2003 Khovaylo et al. D18/49
D478,082 S * 8/2003 Khovaylo et al. D14/425
D483,401 S * 12/2003 LaBarbera D18/53
D483,402 S * 12/2003 LaBarbera et al. D18/53
D493,817 S * 8/2004 Yoshida et al. D18/39
D494,211 S * 8/2004 Yoshida et al. D18/39
D497,942 S * 11/2004 Yoshida et al. D18/53
D497,943 S * 11/2004 LaBarbera D18/53
D502,210 S * 2/2005 Katori et al. D18/39
D515,131 S * 2/2006 Hwang et al. D18/55
D516,081 S * 2/2006 Takimoto D14/463
D528,154 S * 9/2006 Hattori D18/54
D528,155 S * 9/2006 Katayama D18/55
D530,737 S * 10/2006 Lim et al. D18/50
D531,175 S * 10/2006 Moskaluk et al. D14/300
D532,043 S * 11/2006 Park et al. D18/50
D532,449 S * 11/2006 Wong et al. D18/55
D532,450 S * 11/2006 Smith et al. D18/55
D532,451 S * 11/2006 Ito et al. D18/55
D533,218 S * 12/2006 Gant et al. D18/55
D534,175 S * 12/2006 Orihashi et al. D14/463
D534,578 S * 1/2007 Katayama et al. D18/55
D535,686 S * 1/2007 Ishio D18/39
D536,372 S * 2/2007 Lim et al. D18/53
D539,283 S * 3/2007 McIntyre D14/425
D539,839 S * 4/2007 Brinkly et al. D18/49
D544,532 S * 6/2007 Matsumoto et al. D18/50
D545,357 S * 6/2007 Hattori et al. D18/55
D550,768 S * 9/2007 Hoshiya et al. D18/55
D551,700 S * 9/2007 Park et al. D18/55
D555,194 S * 11/2007 Smith et al. D18/55
D555,195 S * 11/2007 Park et al. D18/55
D556,256 S * 11/2007 Matsumoto D18/55
D556,257 S * 11/2007 Yamaguchi D18/55
D557,737 S * 12/2007 Falk et al. D18/53
D557,738 S * 12/2007 Falk D18/53
D558,823 S * 1/2008 Alfonso et al. D18/55
D558,824 S * 1/2008 Alfonso et al. D18/55
D559,897 S * 1/2008 Suzuki et al. D18/49
D559,898 S * 1/2008 Suzuki et al. D18/49
D561,248 S * 2/2008 Lee et al. D18/50
D561,250 S * 2/2008 Smith et al. D18/55
D561,251 S * 2/2008 Tjin Wong Joe et al. D18/55
D561,824 S * 2/2008 Park et al. D18/55
D564,018 S * 3/2008 Ishii et al. D18/49
7,338,043 B2 * 3/2008 Sorenson et al. 271/162
D573,633 S * 7/2008 Laidlaw et al. D18/55
D574,886 S * 8/2008 Mase et al. D18/55
D575,330 S * 8/2008 Egami et al. D18/55
D576,201 S * 9/2008 Yamagata et al. D18/49
D576,203 S * 9/2008 Laidlaw et al. D18/55
D578,568 S * 10/2008 Chiba et al. D18/50
D579,490 S * 10/2008 Laidlaw et al. D18/55
D579,973 S * 11/2008 Park et al. D18/55
D580,483 S * 11/2008 Park et al. D18/39
D581,976 S * 12/2008 Park et al. D18/55
D584,344 S * 1/2009 Lee et al. D18/43
D584,766 S * 1/2009 Tani D18/55
D586,384 S * 2/2009 Yamaguchi et al. D18/55
D586,385 S * 2/2009 Kim et al. D18/55
D589,084 S * 3/2009 Suzuki et al. D18/36
D591,302 S * 4/2009 Yagi et al. D14/421
D594,508 S * 6/2009 Joe et al. D18/55
D595,347 S * 6/2009 Tjin Wong Joe et al. D18/55
D596,226 S * 7/2009 Yamaguchi D18/55
D596,227 S * 7/2009 Larson et al. D18/55
D600,277 S * 9/2009 Hisatsune D18/55
D605,222 S * 12/2009 Yoshioka et al. D18/55
D606,115 S * 12/2009 Sato D18/55
D607,505 S * 1/2010 Sasaki et al. D18/55
D608,823 S * 1/2010 Tomono D18/55
D609,270 S * 2/2010 Kato et al. D18/55
D611,091 S * 3/2010 Ishikawa et al. D18/55
D613,791 S * 4/2010 Yoshioka et al. D18/55
D613,792 S * 4/2010 Suzuki et al. D18/55
D614,235 S * 4/2010 Nakata D18/55
D614,693 S * 4/2010 Kato et al. D18/50
D616,927 S * 6/2010 Suzuki et al. D18/55
D619,645 S * 7/2010 Sato D18/49
D619,646 S * 7/2010 Brown et al. D18/49
D620,046 S * 7/2010 Brinkly D18/49
D621,443 S * 8/2010 Nishiguchi D18/53
D622,272 S * 8/2010 Machida et al. D14/421
D622,762 S * 8/2010 Egami et al. D18/55
D626,588 S * 11/2010 Kim et al. D18/39
D633,555 S * 3/2011 Egami D18/50
D633,556 S * 3/2011 Park et al. D18/55
D634,360 S * 3/2011 Brown et al. D18/55
D639,849 S * 6/2011 Sato et al. D18/50
D639,851 S * 6/2011 Penke et al. D18/55
7,970,337 B2 * 6/2011 Uchida et al. 399/367
D641,778 S * 7/2011 Lee et al. D18/55
D642,212 S * 7/2011 Terenzio et al. D18/55
D643,464 S * 8/2011 Sato et al. D18/55
D645,896 S * 9/2011 Iwai et al. D18/50
D647,133 S * 10/2011 Sato et al. D18/55
D647,958 S * 11/2011 Yoshioka et al. D18/50
D648,376 S * 11/2011 Asano et al. D18/50
D649,183 S * 11/2011 Miyauchi et al. D18/50

(56)

References Cited

U.S. PATENT DOCUMENTS

8,154,770 B2 * 4/2012 Shiraki et al. 358/401
 D660,350 S * 5/2012 Falk et al. D18/53
 D660,351 S * 5/2012 Larson et al. D18/55
 D661,345 S * 6/2012 Asano et al. D18/50
 D661,728 S * 6/2012 Suzuki et al. D18/50
 D662,130 S * 6/2012 Kitazawa et al. D18/50
 D662,974 S * 7/2012 Suzuki et al. D18/55
 D665,013 S * 8/2012 Ishikawa et al. D18/50
 D666,239 S * 8/2012 Larson et al. D18/55
 D667,035 S * 9/2012 Rapp D15/145
 D667,486 S * 9/2012 Inoue et al. D18/50
 D667,488 S * 9/2012 Inoue et al. D18/55
 D670,326 S * 11/2012 Yoshida D18/55
 D670,328 S * 11/2012 Suzuki et al. D18/55
 D673,213 S * 12/2012 Kim et al. D18/55
 D673,603 S * 1/2013 Suzuki et al. D18/55
 D674,011 S * 1/2013 Sato D18/55
 D674,435 S * 1/2013 Inoue et al. D18/55
 D675,673 S * 2/2013 Sato D18/50
 D676,483 S * 2/2013 Kim et al. D18/50
 D680,163 S * 4/2013 Lim et al. D18/55
 D680,581 S * 4/2013 Nakata et al. D18/50
 D681,721 S * 5/2013 Iwai et al. D18/50
 D681,722 S * 5/2013 Seki et al. D18/50
 D681,723 S * 5/2013 Gilbert et al. D18/55
 D681,726 S * 5/2013 Yonekawa D18/55
 D682,928 S * 5/2013 Kim et al. D18/55
 D683,394 S * 5/2013 Suzuki et al. D18/50
 D685,411 S * 7/2013 Tanaka et al. D18/49
 D685,412 S * 7/2013 Jihoon et al. D18/50
 D685,414 S * 7/2013 Jeong et al. D18/53
 D686,658 S * 7/2013 Matsuno et al. D18/50
 D686,659 S * 7/2013 Tanaka et al. D18/55
 D687,092 S * 7/2013 Suzuki et al. D18/49
 D687,093 S * 7/2013 Klocke et al. D18/50
 D688,742 S * 8/2013 Kim et al. D18/55
 D689,542 S * 9/2013 Klocke et al. D18/50
 D689,543 S * 9/2013 Seki et al. D18/50

8,542,415 B2 * 9/2013 Takeuchi et al. 358/498
 8,542,416 B2 * 9/2013 Takeuchi 358/498
 D691,570 S * 10/2013 Fleischer et al. 1/1
 D692,477 S * 10/2013 Kim et al. D18/53
 D694,316 S * 11/2013 Jihoon et al. D18/50
 D695,339 S * 12/2013 Fukasawa et al. D18/55
 D697,550 S * 1/2014 Nanno et al. D18/50
 D697,966 S * 1/2014 Fukasawa et al. D18/55
 D697,967 S * 1/2014 Fukasawa et al. D18/55
 D698,389 S * 1/2014 Fukasawa et al. D18/55
 D699,725 S * 2/2014 Sato et al. D14/421
 D701,561 S * 3/2014 Jihoon et al. D18/50
 D702,760 S * 4/2014 Kim et al. D18/55
 D705,781 S * 5/2014 Yin et al. D14/421
 D714,861 S * 10/2014 Tsuruoka et al. D18/50
 D718,313 S * 11/2014 Goh et al. D14/421
 D718,383 S * 11/2014 Lo et al. D18/55
 D720,754 S * 1/2015 Chin et al. D14/422
 D721,131 S * 1/2015 Inada D18/50
 2002/0113979 A1 * 8/2002 Rahgozar et al. 358/1.6
 2003/0063332 A1 * 4/2003 Sato 358/474
 2003/0164957 A1 * 9/2003 Komaki 358/1.6
 2003/0179390 A1 * 9/2003 Kitozaki 358/1.6
 2004/0217537 A1 * 11/2004 Ohama 271/3.14
 2006/0023267 A1 * 2/2006 Ikeno et al. 358/474
 2007/0001015 A1 * 1/2007 Suzuki et al. 235/472.02
 2007/0201109 A1 * 8/2007 Osakabe et al. 358/474
 2007/0287566 A1 * 12/2007 Osakabe 475/162
 2009/0315253 A1 * 12/2009 Osakabe et al. 271/121
 2010/0020370 A1 * 1/2010 Ishikawa 358/498
 2011/0157662 A1 * 6/2011 Kozaki 358/488
 2012/0038955 A1 * 2/2012 Ooshio 358/474
 2012/0081761 A1 * 4/2012 Nakamura et al. 358/474
 2013/0114116 A1 * 5/2013 Ikeno et al. 358/474
 2014/0151959 A1 * 6/2014 Oyamada et al. 271/264

OTHER PUBLICATIONS

U.S. Appl. No. 29/491,334, filed May 20, 2014 in the name of Ryoichi Nakagawa.

* cited by examiner

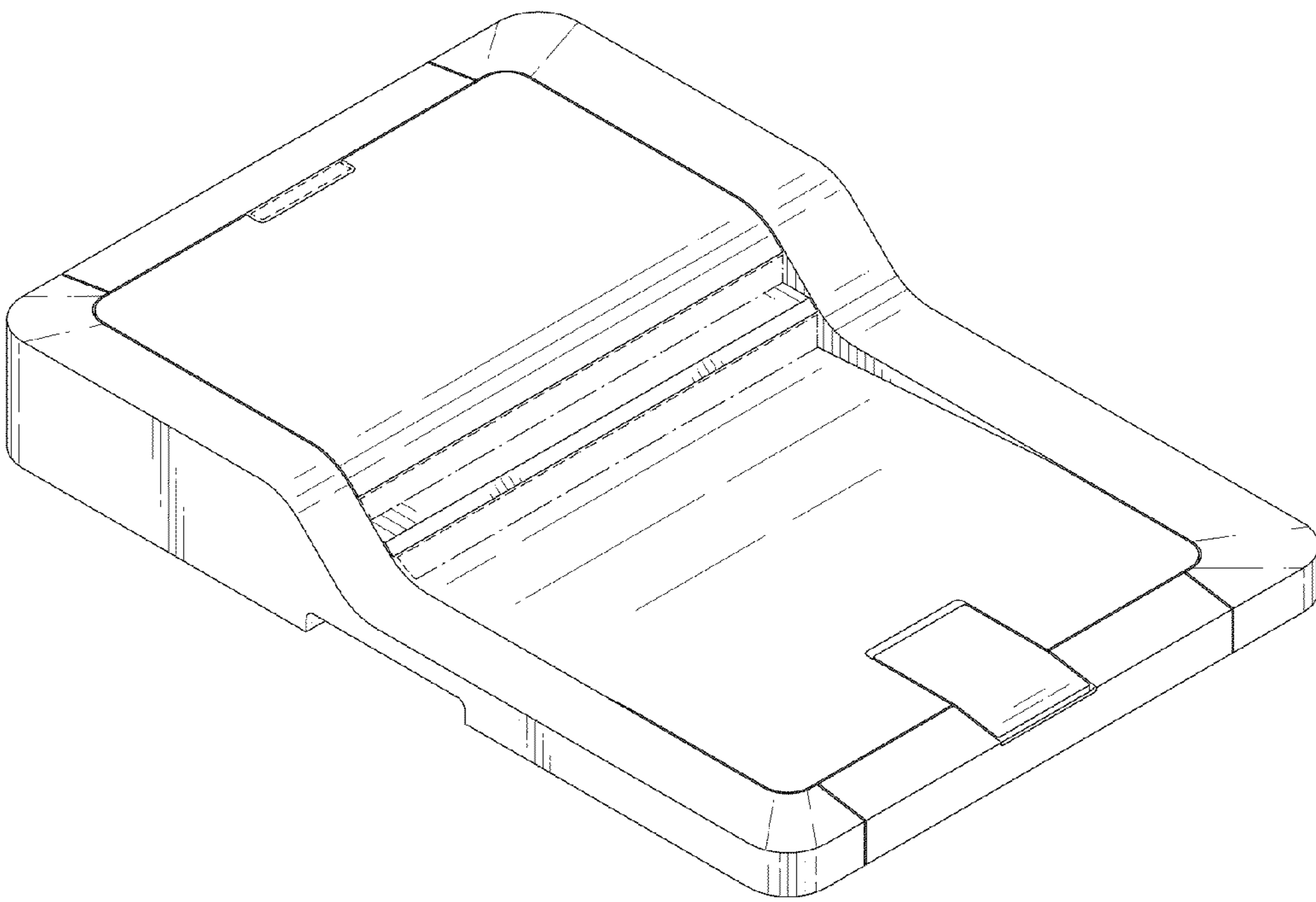


FIG. 1

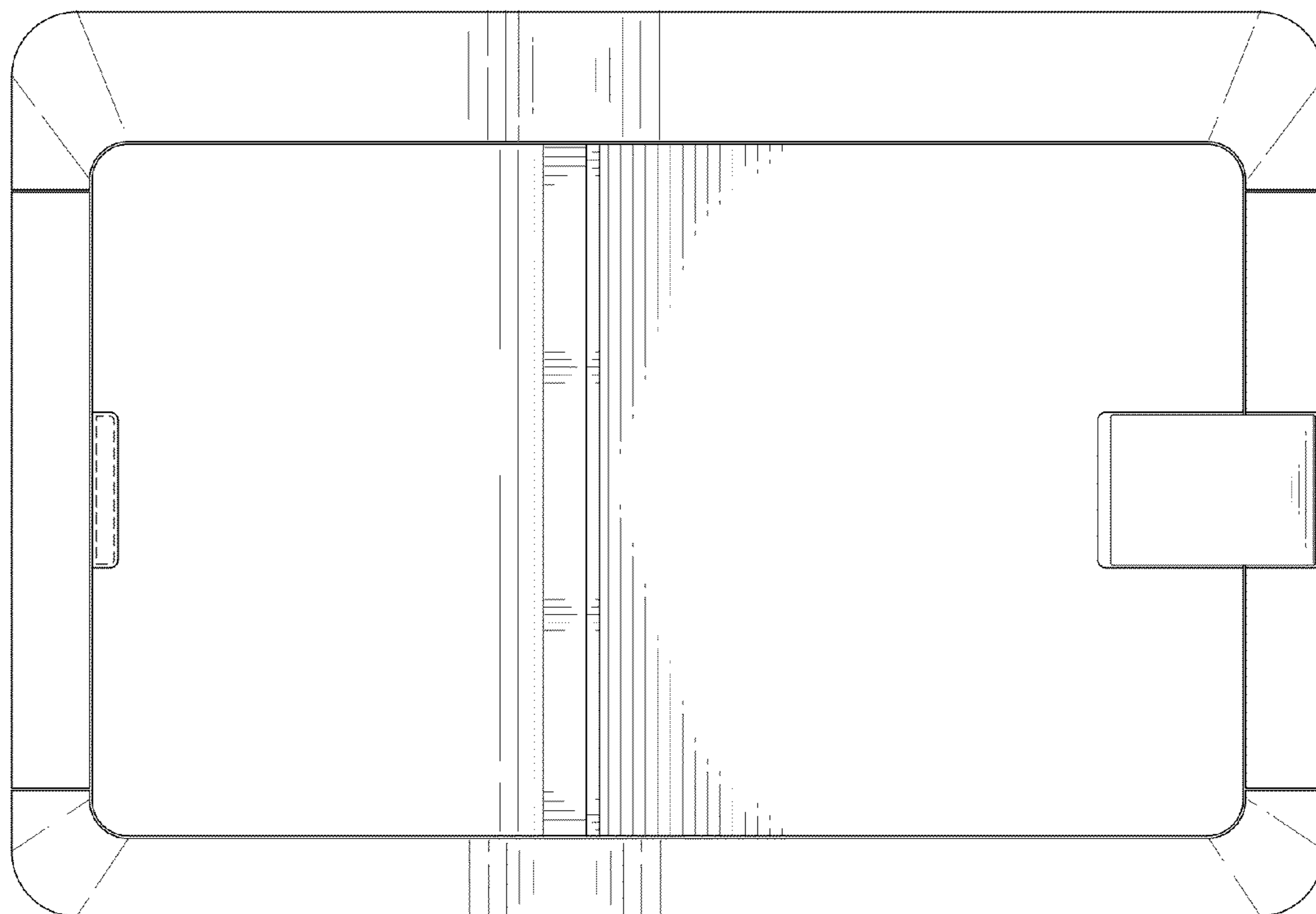


FIG. 3

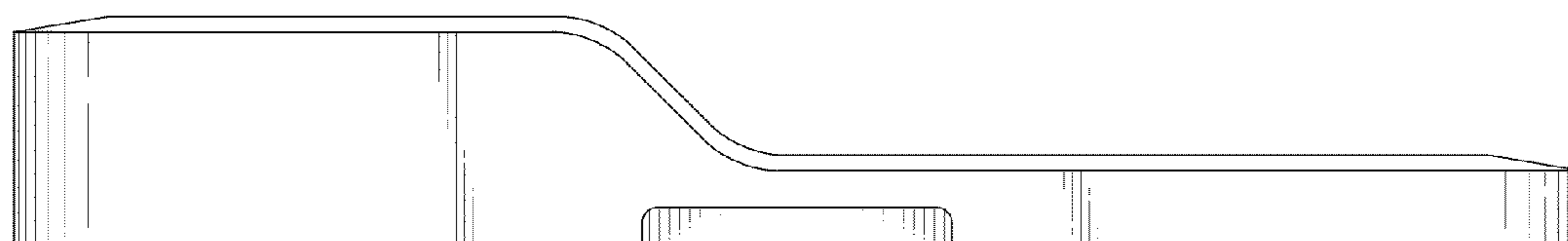


FIG. 2

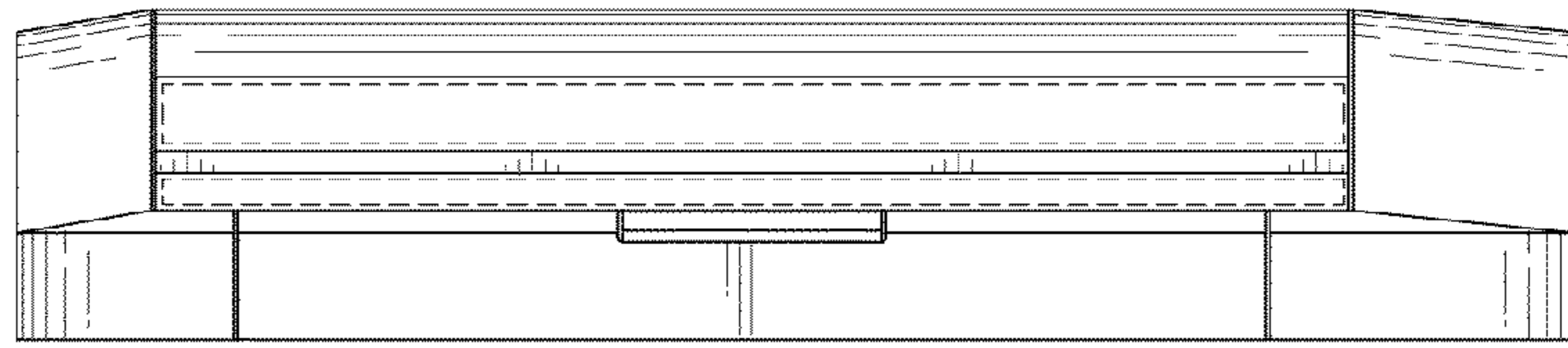


FIG. 4

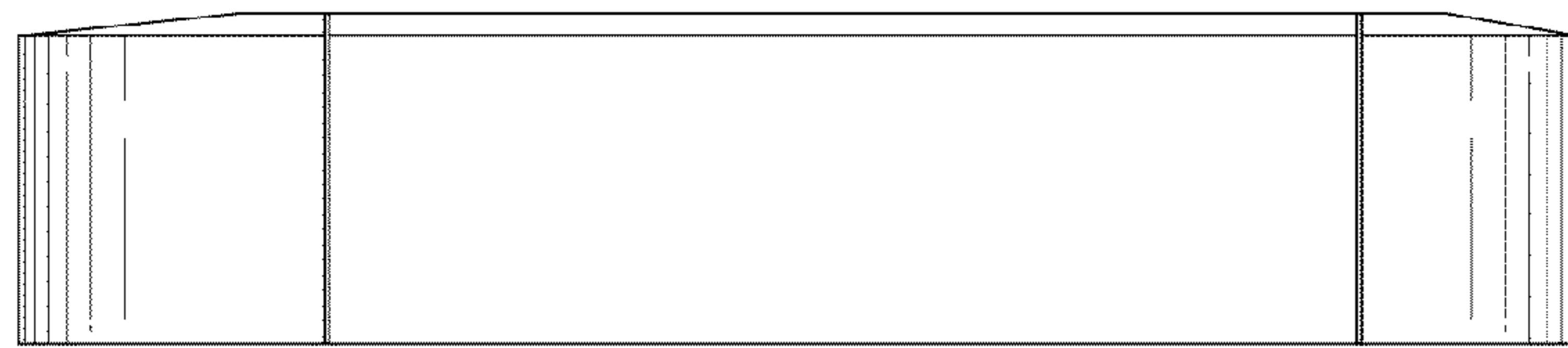


FIG. 5

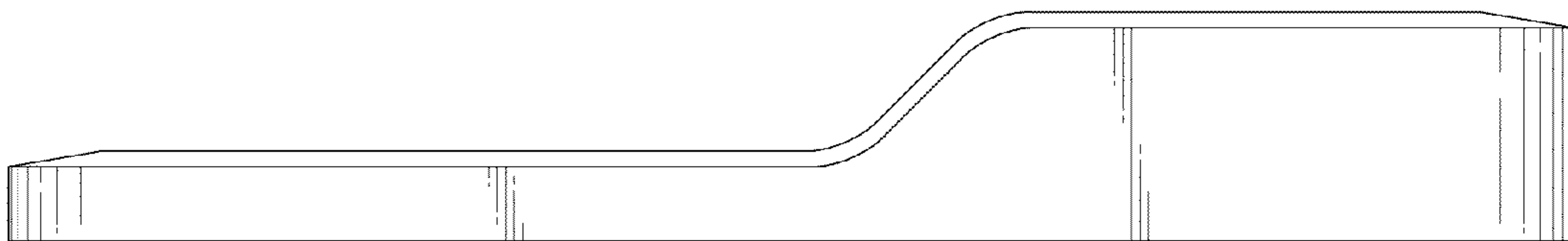


FIG. 6

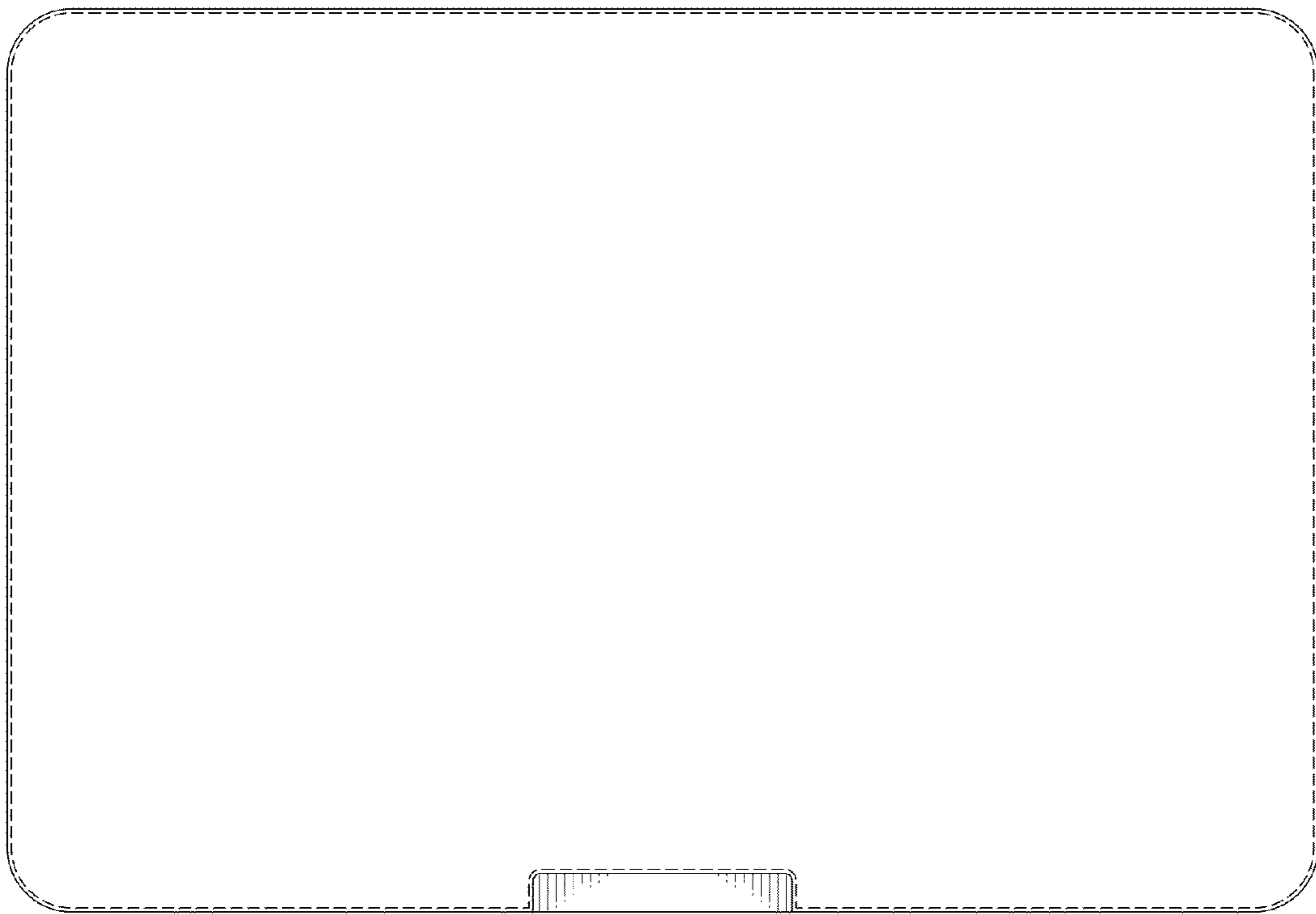


FIG. 7