



US00D733709S

(12) **United States Design Patent**  
**Kawai**

(10) **Patent No.:** **US D733,709 S**  
(45) **Date of Patent:** **\*\* Jul. 7, 2015**

(54) **WEARABLE IMAGE DISPLAY APPARATUS**

(71) Applicant: **Kabushiki Kaisha Toshiba**, Minato-ku,  
Tokyo (JP)

(72) Inventor: **Yusuke Kawai**, Tokyo (JP)

(73) Assignee: **Kabushiki Kaisha Toshiba**, Minato-ku,  
Tokyo (JP)

(\*\*) Term: **14 Years**

(21) Appl. No.: **29/509,591**

(22) Filed: **Nov. 19, 2014**

(30) **Foreign Application Priority Data**

May 21, 2014 (JP) ..... 2014-010892

(51) **LOC (10) Cl.** ..... **14-02**

(52) **U.S. Cl.**  
USPC ..... **D14/372**

(58) **Field of Classification Search**

USPC ..... D14/356-358, 361, 370, 372, 385, 388,  
D14/432-439, 447, 458, 474, 480.1, 483,  
D14/484.1, 217, 239, 299; D8/349, 354,  
D8/395; D16/100, 330; 345/7-9; 351/158;  
359/409, 819, 399, 400; 250/214 VT  
See application file for complete search history.

(56) **References Cited**

**U.S. PATENT DOCUMENTS**

D537,078 S \* 2/2007 Tanaka et al. .... D14/372  
D583,212 S \* 12/2008 Grohmann ..... D8/308  
D609,236 S \* 2/2010 Matsumoto et al. .... D14/372  
D659,137 S \* 5/2012 Matsumoto ..... D14/372  
8,289,231 B2 \* 10/2012 Budd et al. .... 345/8  
D682,267 S \* 5/2013 Mase ..... D14/372  
8,446,676 B2 \* 5/2013 Sugihara et al. .... 359/643  
D704,705 S \* 5/2014 Mehin et al. .... D14/372  
D710,355 S \* 8/2014 Brandt ..... D14/372  
D713,406 S \* 9/2014 Pombo et al. .... D14/372

D718,304 S \* 11/2014 Heinrich ..... D14/372  
D718,306 S \* 11/2014 Mehin et al. .... D14/372  
D719,156 S \* 12/2014 Lee et al. .... D14/372  
D719,571 S \* 12/2014 Sugihara et al. .... D14/372

**FOREIGN PATENT DOCUMENTS**

JP 1350229 1/2012  
JP 1471440 6/2013  
JP 1481044 10/2013  
JP 1486014 12/2013

**OTHER PUBLICATIONS**

U.S. Appl. No. 29/509,594, filed Nov. 19, 2014.

\* cited by examiner

*Primary Examiner* — Austin Murphy

(74) *Attorney, Agent, or Firm* — Banner & Witcoff, Ltd.

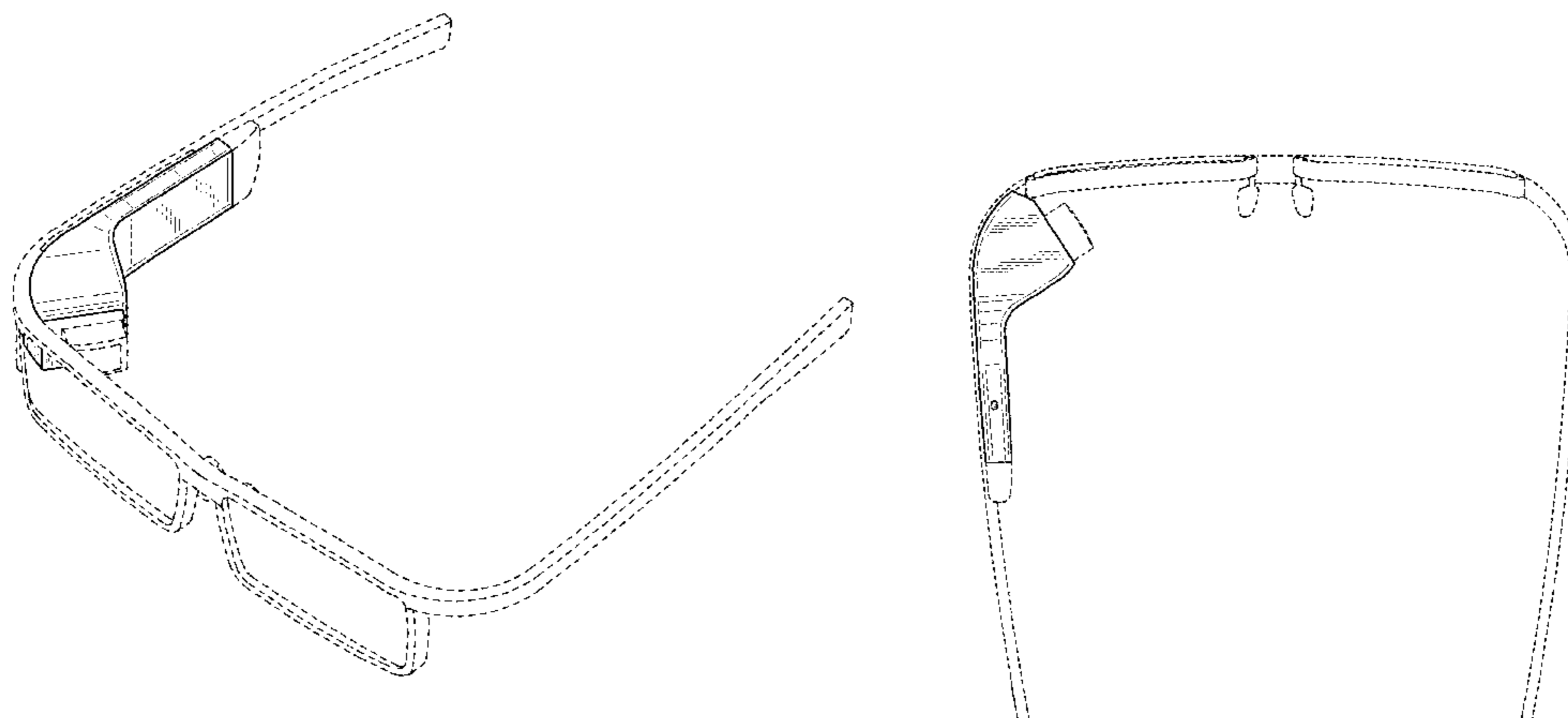
(57) **CLAIM**

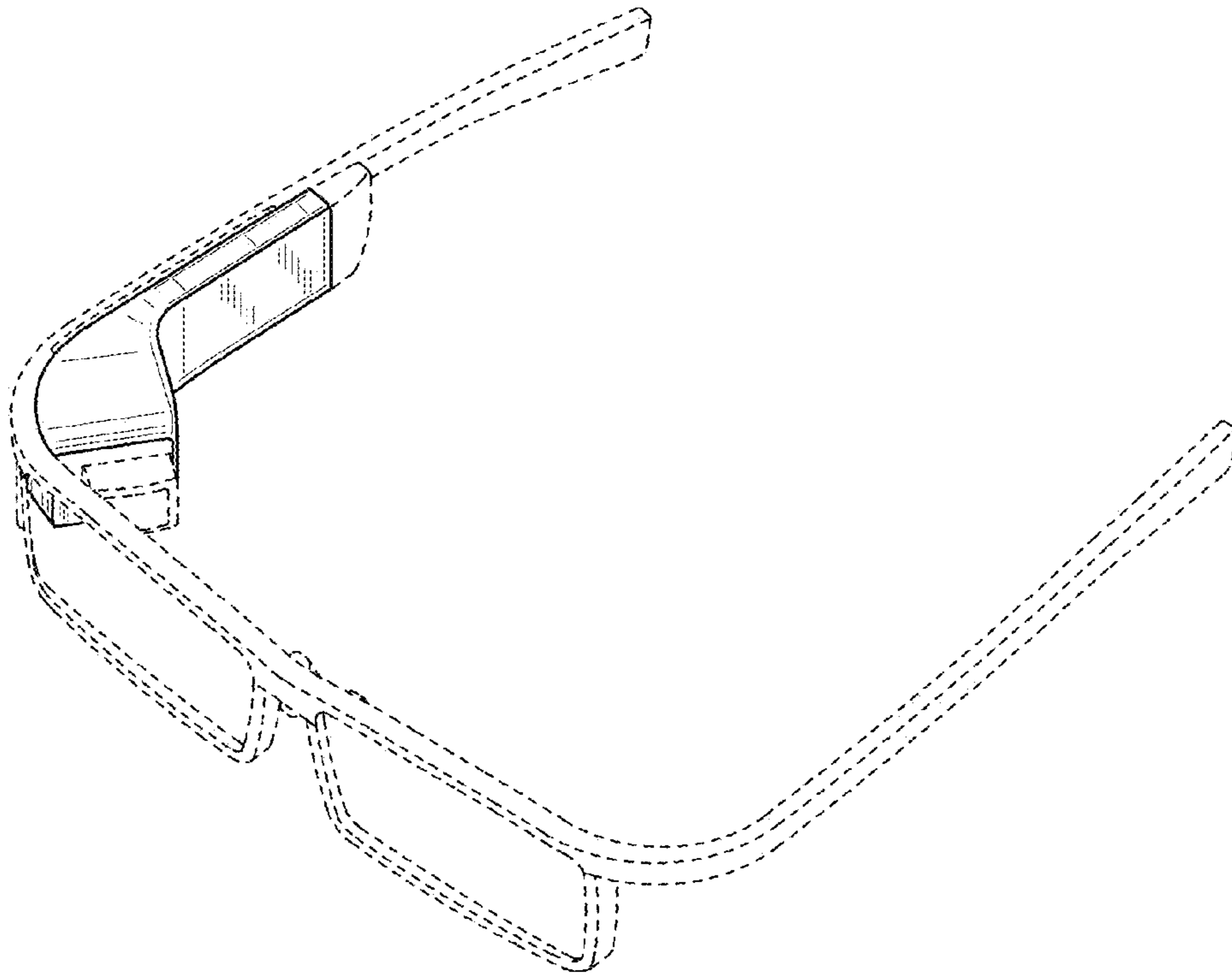
The ornamental design for a wearable image display apparatus, as shown and described.

**DESCRIPTION**

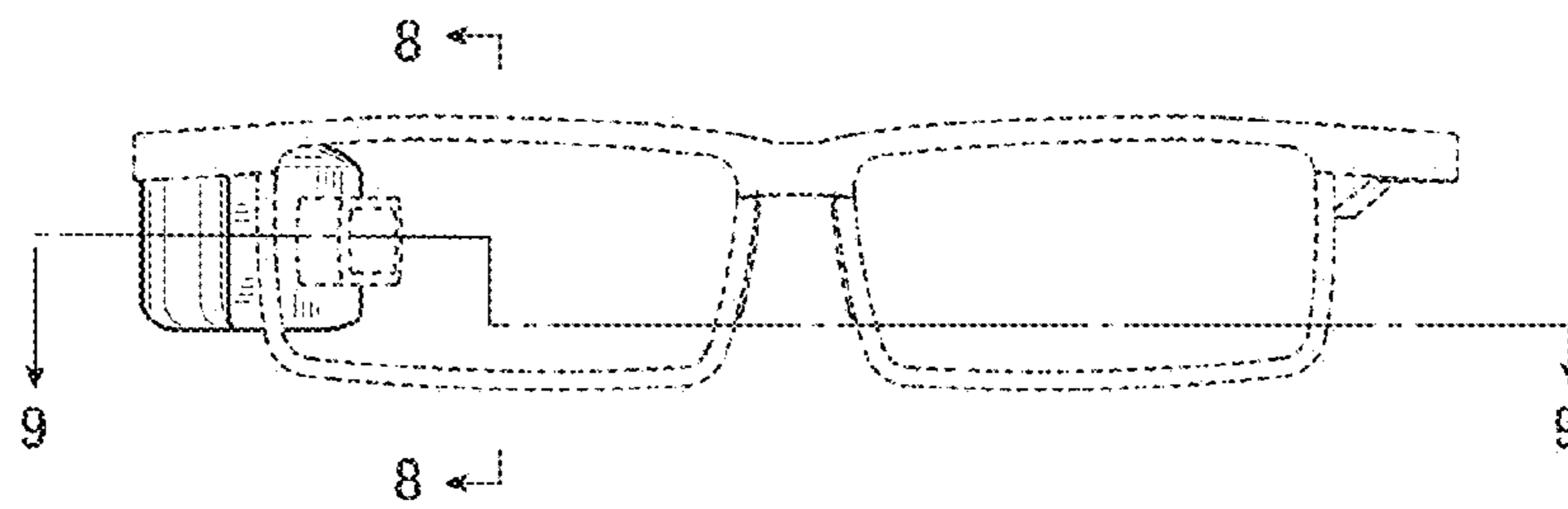
FIG. 1 is a front, top and right side perspective view of a wearable image display apparatus, showing my new design; FIG. 2 is a front view thereof; FIG. 3 is a rear view thereof; FIG. 4 is a left side view thereof; FIG. 5 is a right side view thereof; FIG. 6 is a top view thereof; FIG. 7 is a bottom view thereof; FIG. 8 is an enlarged cross sectional view thereof, taken along the line 8-8 in FIG. 2; and, FIG. 9 is an enlarged end view thereof, taken along the line 9-9 in FIG. 2 with its internal mechanisms omitted. The uneven spaced broken line shown in FIG. 2 and the broken lines are for illustrative purposes only and form no part of the claimed design.

**1 Claim, 4 Drawing Sheets**

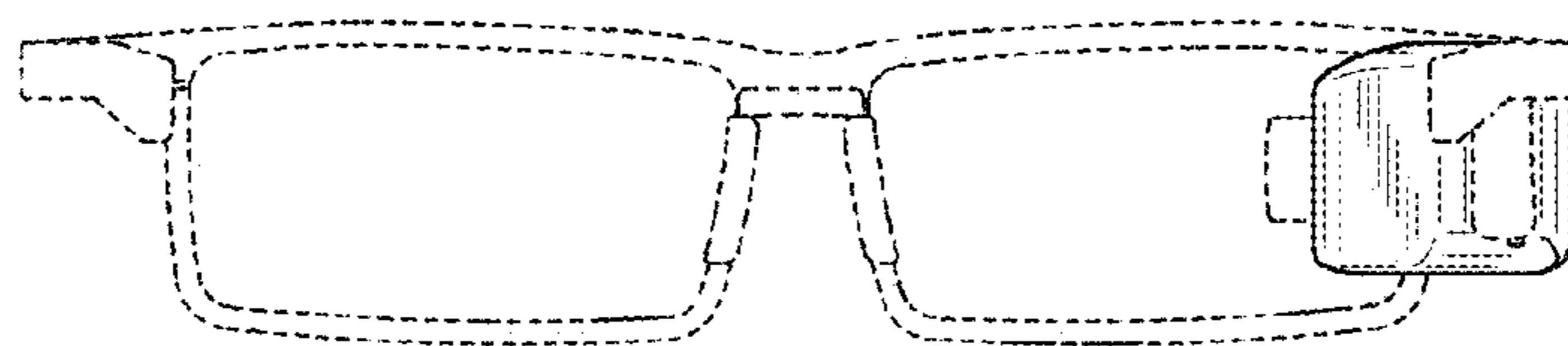




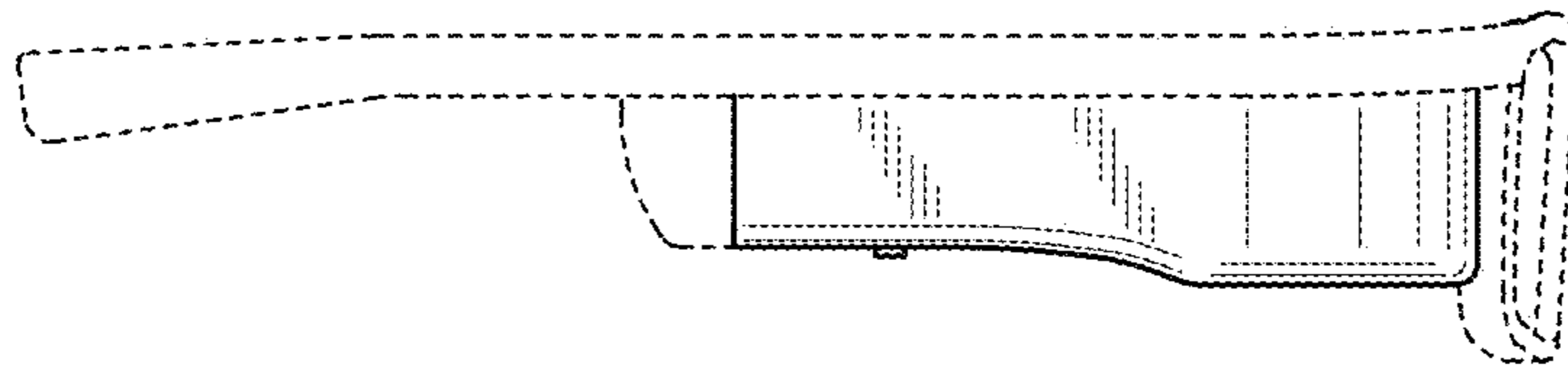
*Fig. 1*



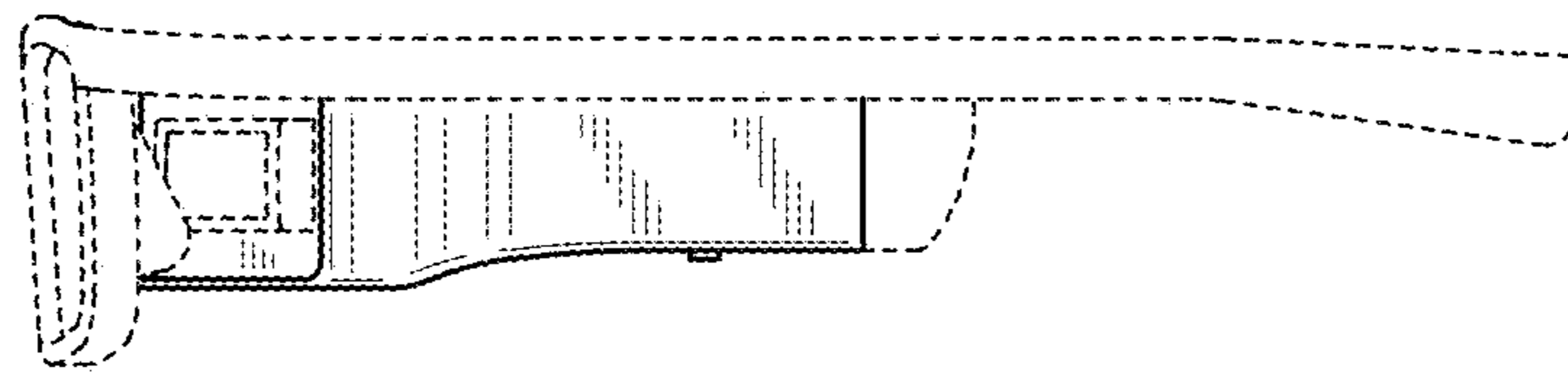
*Fig. 2*



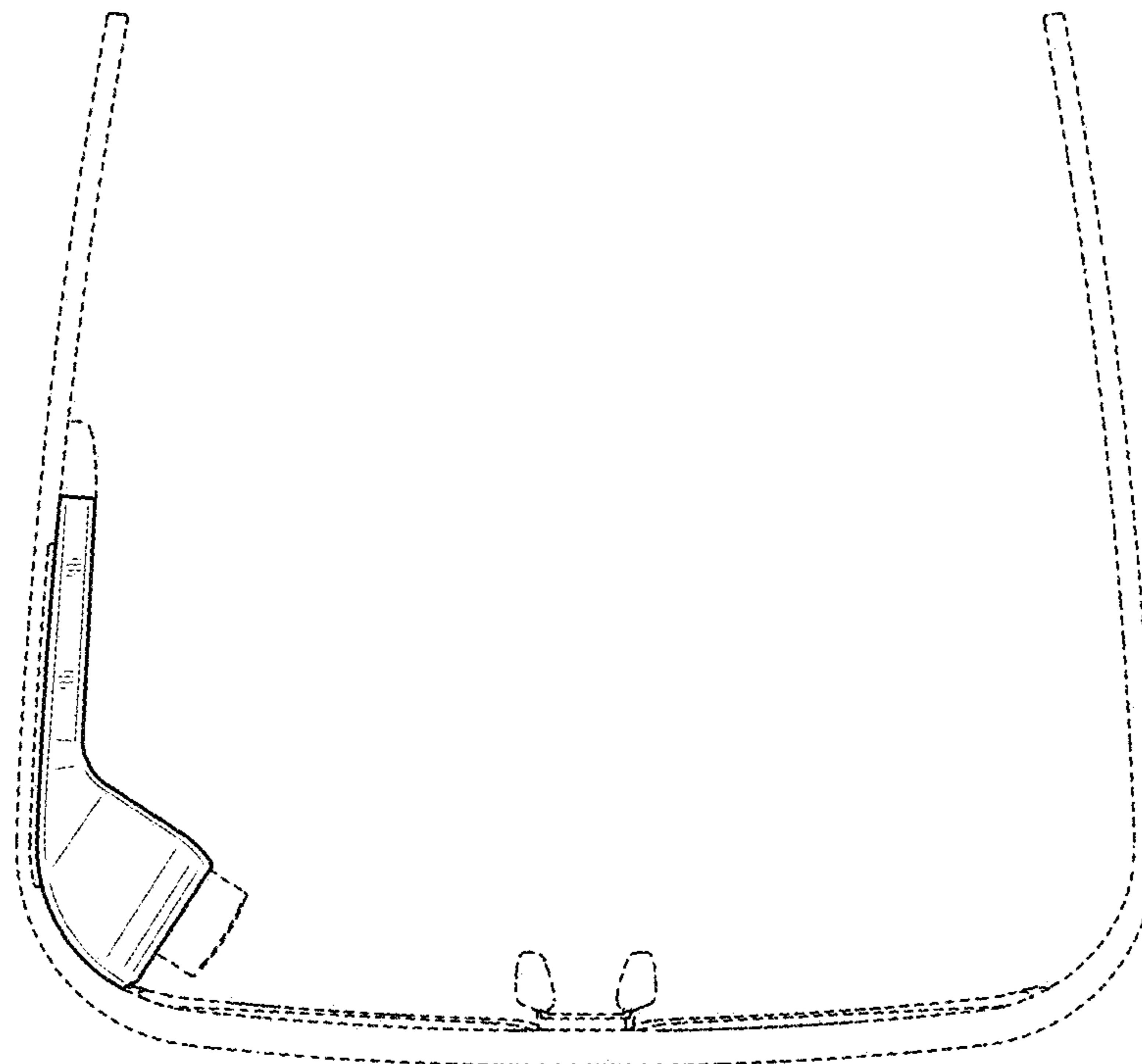
*Fig. 3*



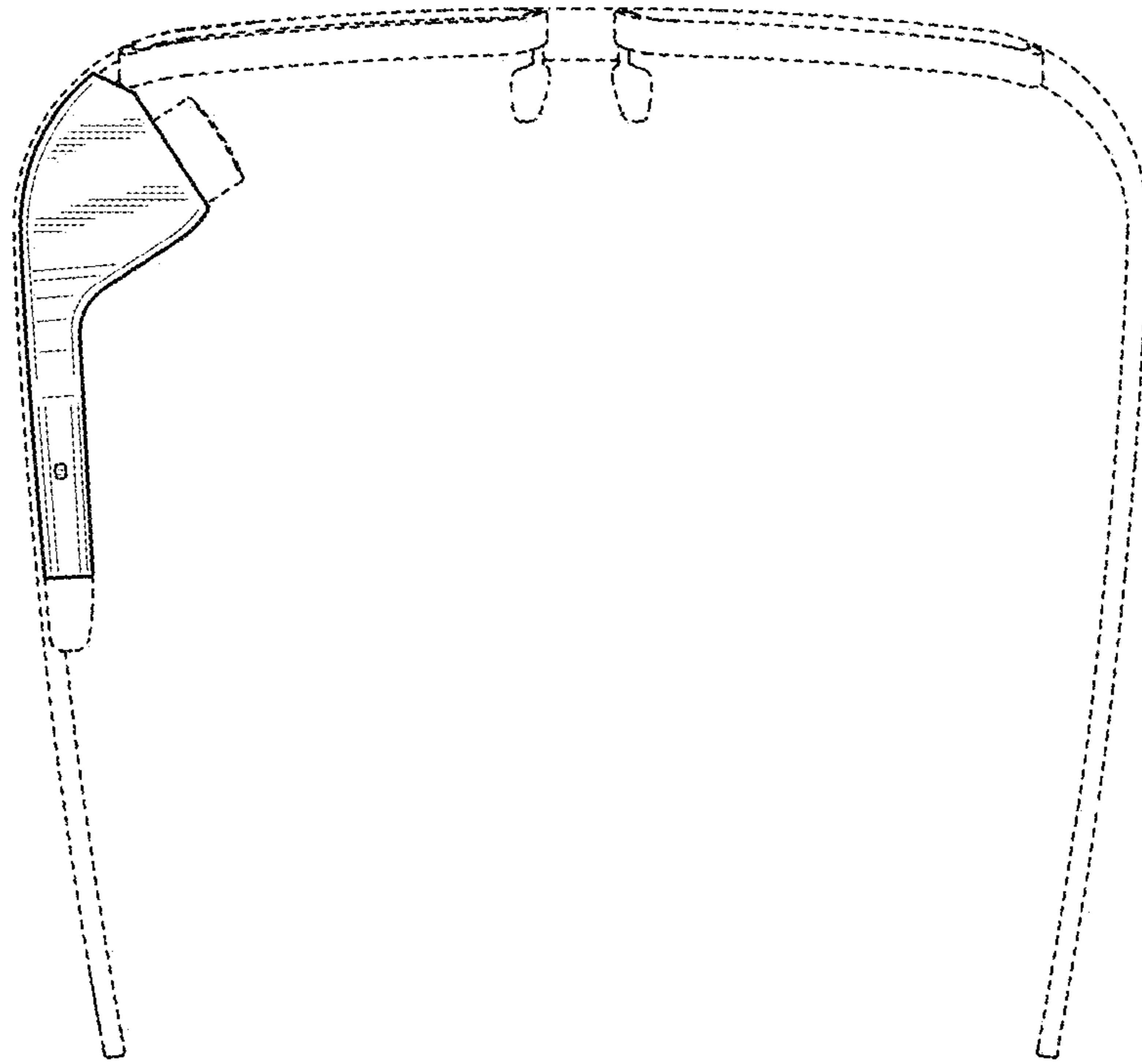
*Fig. 4*



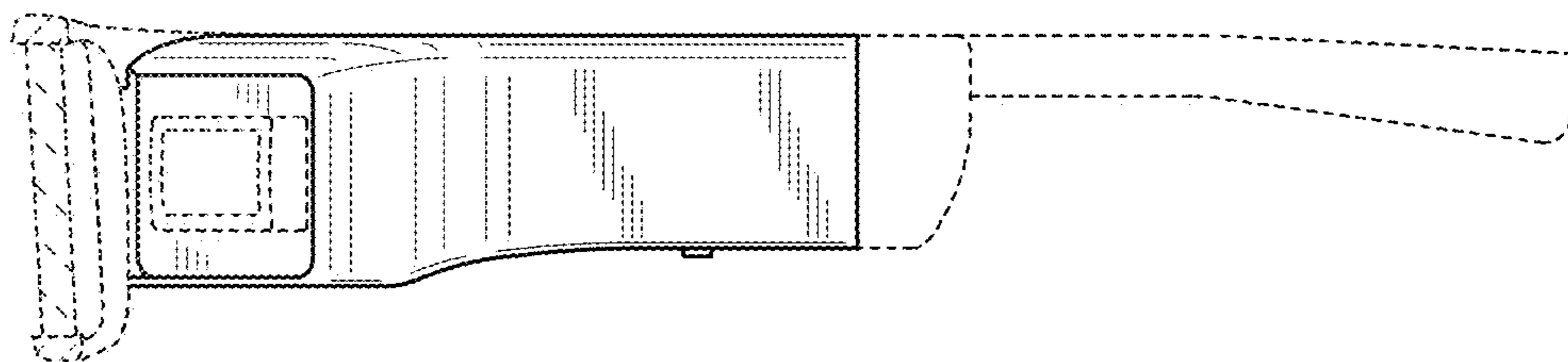
*Fig. 5*



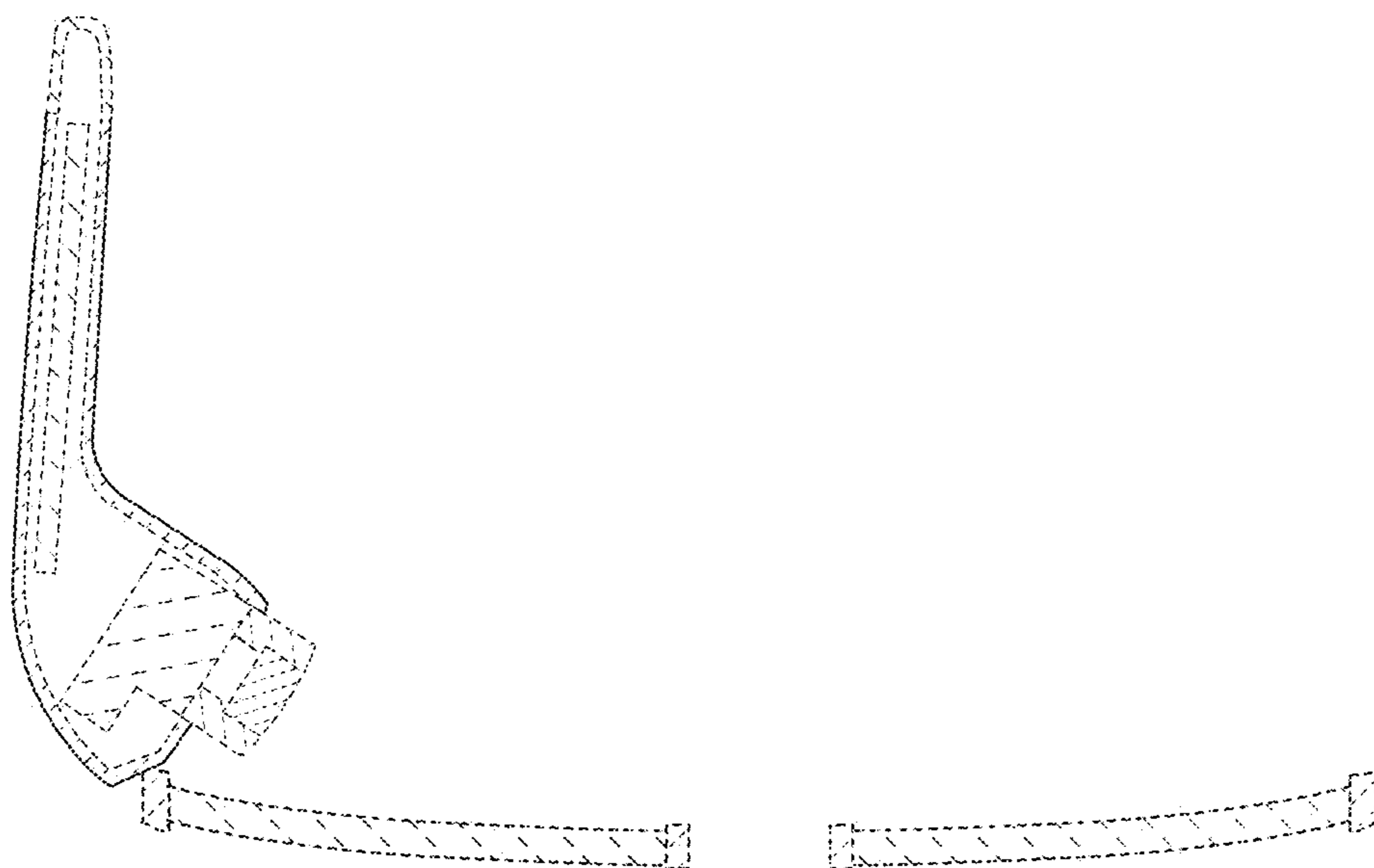
*Fig. 6*



*Fig. 7*



*Fig. 8*



*Fig. 9*