

US00D733707S

(12) **United States Design Patent**
Chen et al.

(10) **Patent No.:** **US D733,707 S**
(45) **Date of Patent:** **** Jul. 7, 2015**

(54) **WIRELESS NETWORK ACCESS POINT**

(71) Applicant: **Arcadyan Technology Corporation,**
Hsinchu (TW)

(72) Inventors: **Sheng-Chung Chen,** Hsinchu County
(TW); **Shih-Hsin Huang,** Hsinchu (TW)

(73) Assignee: **ARCADYAN TECHNOLOGY**
CORPORATION, Hsinchu (TW)

(**) Term: **14 Years**

(21) Appl. No.: **29/468,489**

(22) Filed: **Oct. 1, 2013**

(30) **Foreign Application Priority Data**

Jul. 29, 2013 (TW) 102305165

(51) **LOC (10) Cl.** **14-03**

(52) **U.S. Cl.**
USPC **D14/358;** D14/240

(58) **Field of Classification Search**
USPC D14/358, 240, 242, 230–233, 238, 159,
D14/299, 353–357; D13/110, 123, 147,
D13/184; D10/104.1; 379/220.1, 221.09,
379/221.14, 338, 339, 441, 442; 439/365,
439/717, 74; 709/250; 455/73; 361/724
CPC G06F 1/16
See application file for complete search history.

(56) **References Cited**

U.S. PATENT DOCUMENTS

5,645,434	A	*	7/1997	Leung	439/74
D408,823	S	*	4/1999	Kirby	D14/240
D409,199	S	*	5/1999	Taguchi et al.	D14/217
D409,203	S	*	5/1999	Morimiya	D14/242
D415,769	S	*	10/1999	Waldner	D14/240
D437,289	S	*	2/2001	Chase et al.	D13/123
D437,311	S	*	2/2001	Nam	D14/227
D449,600	S	*	10/2001	Gallahan et al.	D14/299

D454,557	S	*	3/2002	Do et al.	D14/242
D460,452	S	*	7/2002	Yoshie	D14/358
D462,954	S	*	9/2002	Chen	D14/299
D471,543	S	*	3/2003	Yang et al.	D14/240
D484,496	S	*	12/2003	Watanabe	D14/240
D489,059	S	*	4/2004	Dendou et al.	D14/242
D489,369	S	*	5/2004	Sasaki	D14/358
D489,720	S	*	5/2004	Sasaki	D14/358
D494,156	S	*	8/2004	Chen et al.	D14/240
D559,841	S	*	1/2008	Liu et al.	D14/240
D561,750	S	*	2/2008	Liu et al.	D14/240
D562,814	S	*	2/2008	Liu et al.	D14/240
D580,422	S	*	11/2008	Lee	D14/240
D593,082	S	*	5/2009	Jeon	D14/240
D596,177	S	*	7/2009	Steele et al.	D14/358
D597,087	S	*	7/2009	Herbst et al.	D14/240
D606,523	S	*	12/2009	Herbst et al.	D14/240
D610,133	S	*	2/2010	Asano	D14/240
D654,075	S	*	2/2012	Wu et al.	D14/358
D682,829	S	*	5/2013	Wu et al.	D14/358
D689,483	S	*	9/2013	Wu et al.	D14/358
D697,901	S	*	1/2014	Gao et al.	D14/240
2002/0161929	A1	*	10/2002	Longerbeam et al.	709/250

* cited by examiner

Primary Examiner — Paula Greene

(74) *Attorney, Agent, or Firm* — Rabin & Berdo, P.C.

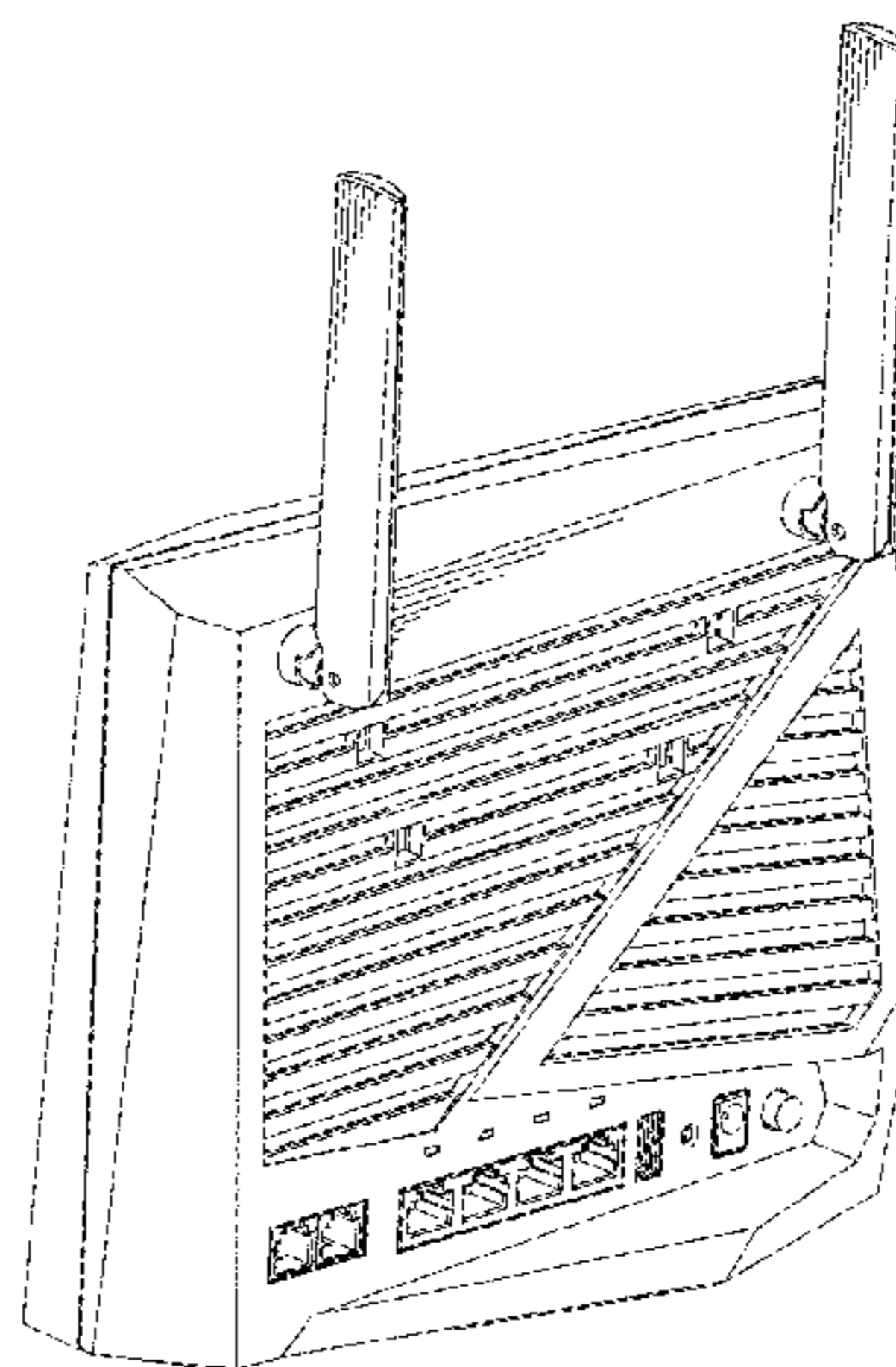
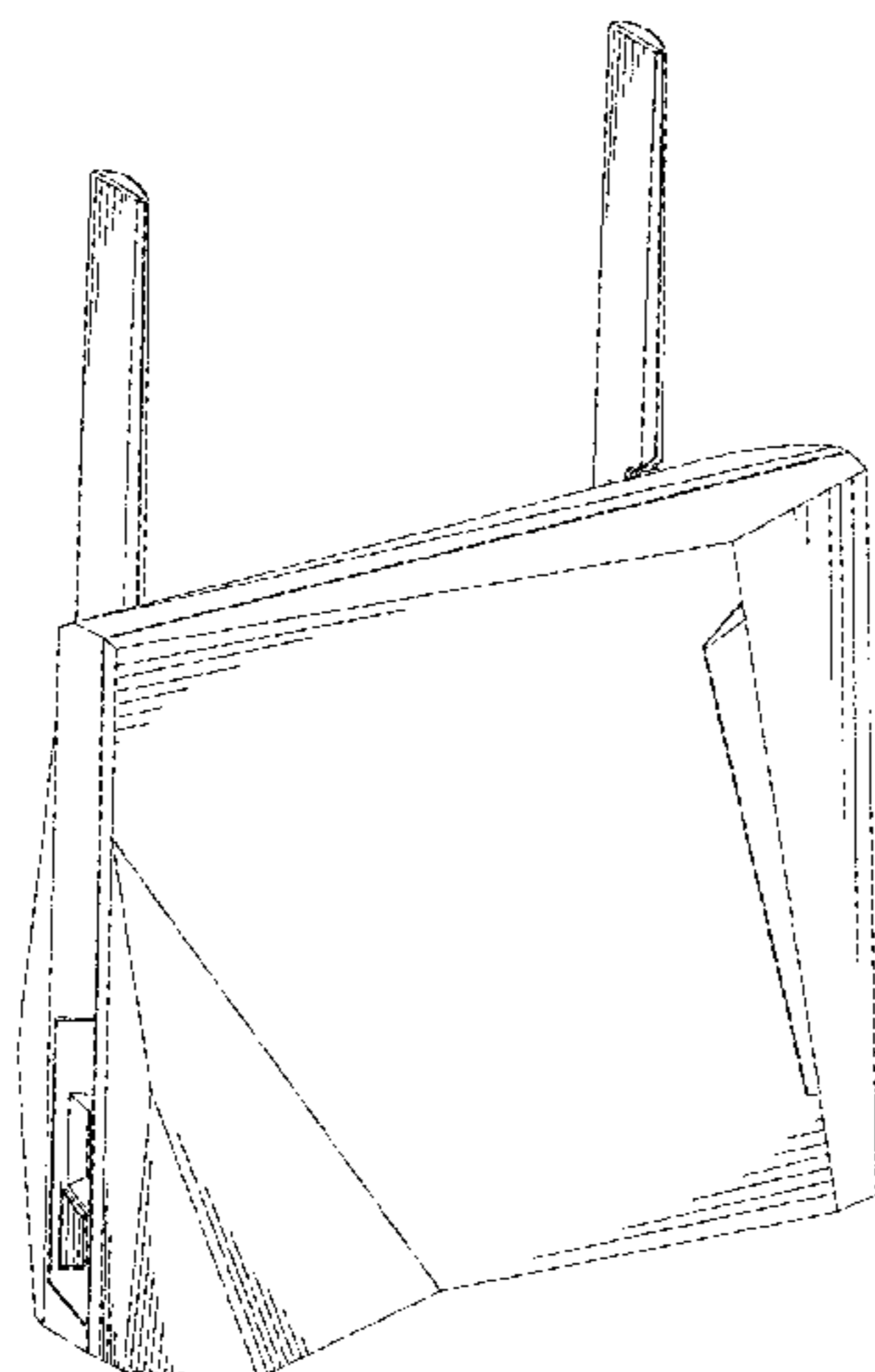
(57) **CLAIM**

The ornamental design for a wireless network access point, as shown and described.

DESCRIPTION

FIG. 1 is a front, top and left side perspective view of a wireless network access point showing our new design; FIG. 2 is a rear, top and right side perspective view of a wireless network access point showing our new design; FIG. 3 is a front elevational view thereof; FIG. 4 is a rear elevational view thereof; FIG. 5 is a left side elevational view thereof; FIG. 6 is a right side elevational view thereof; FIG. 7 is a top plan view thereof; and, FIG. 8 is a bottom plan view thereof.

1 Claim, 5 Drawing Sheets



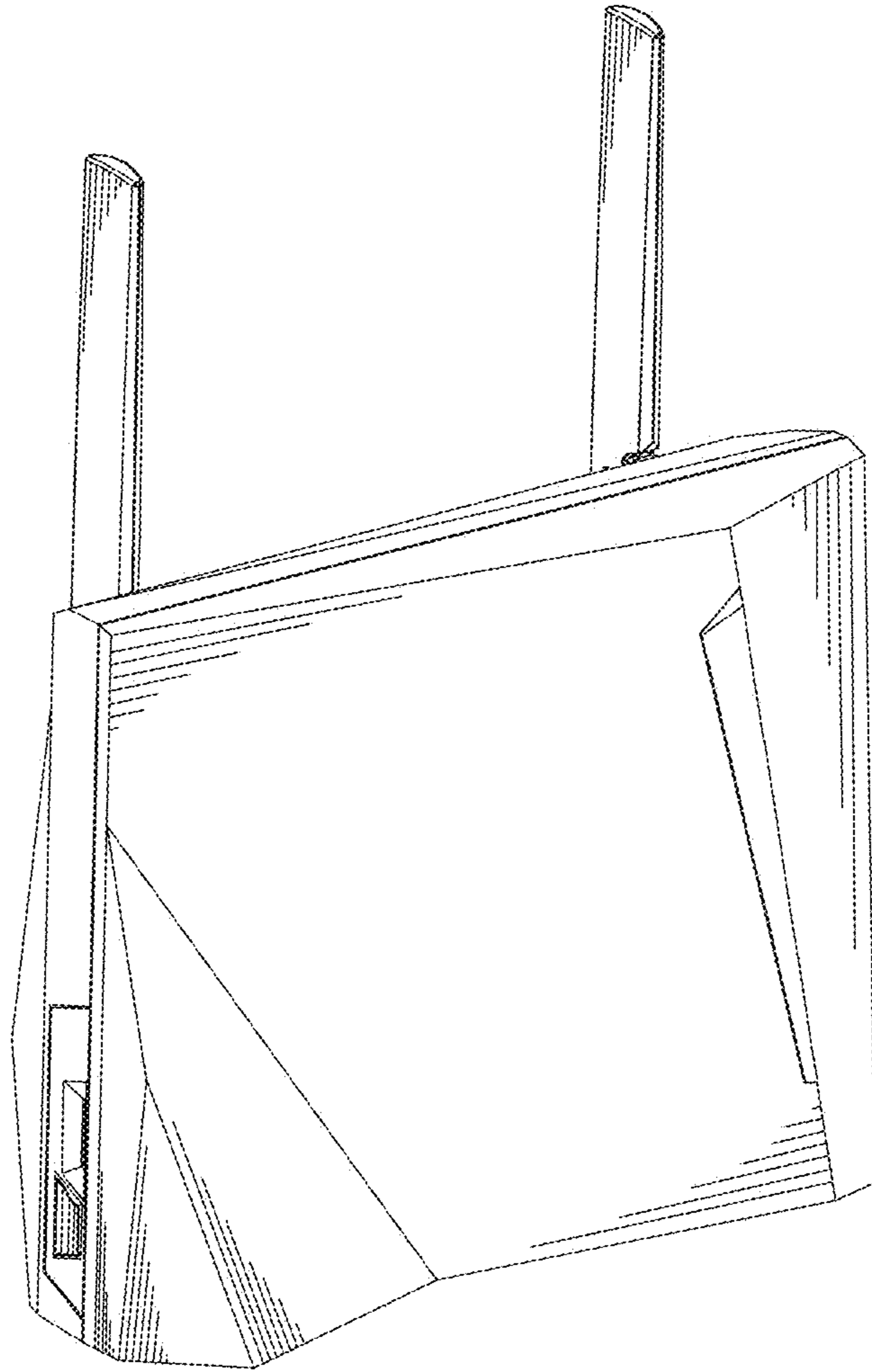


FIG. 1

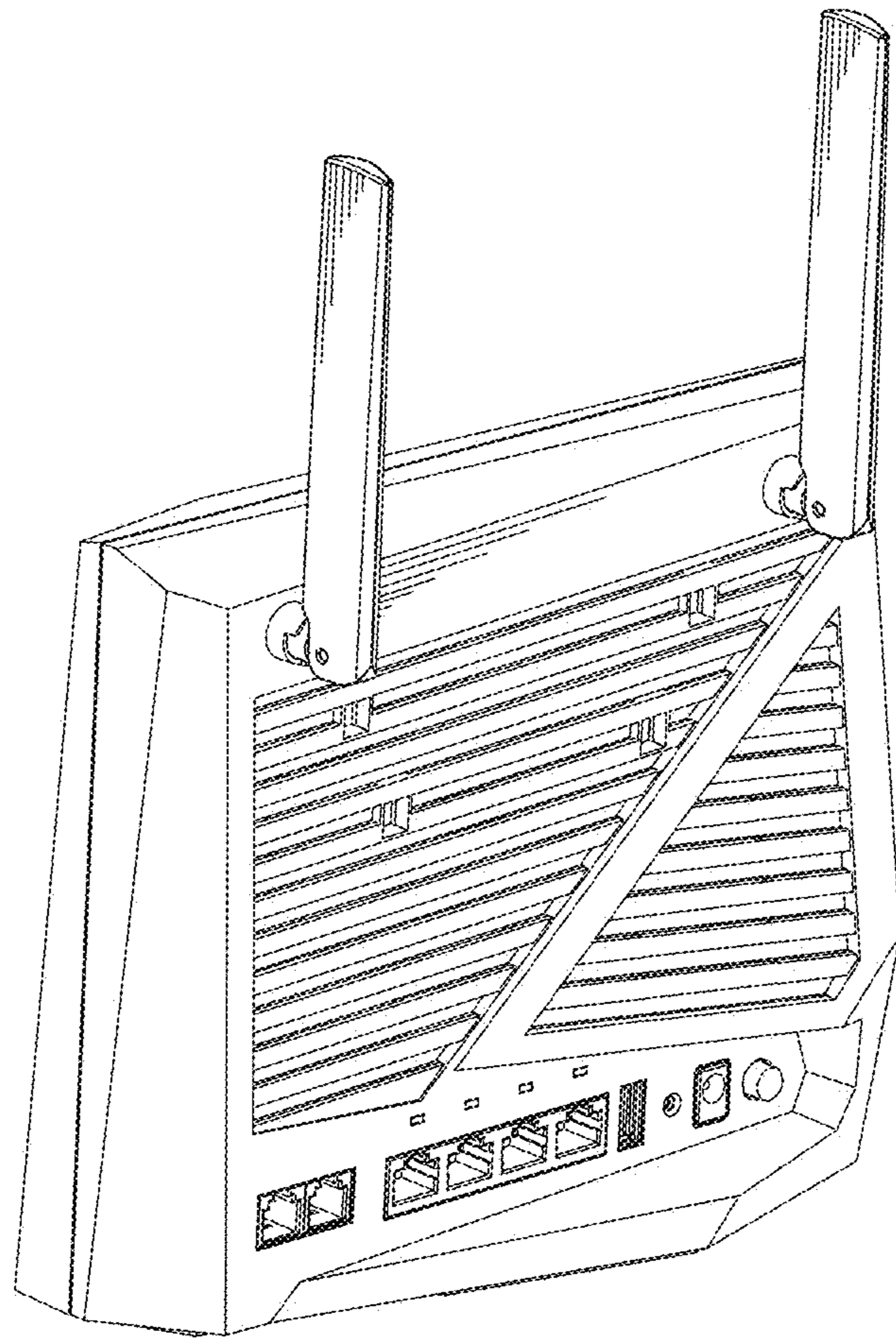


FIG. 2

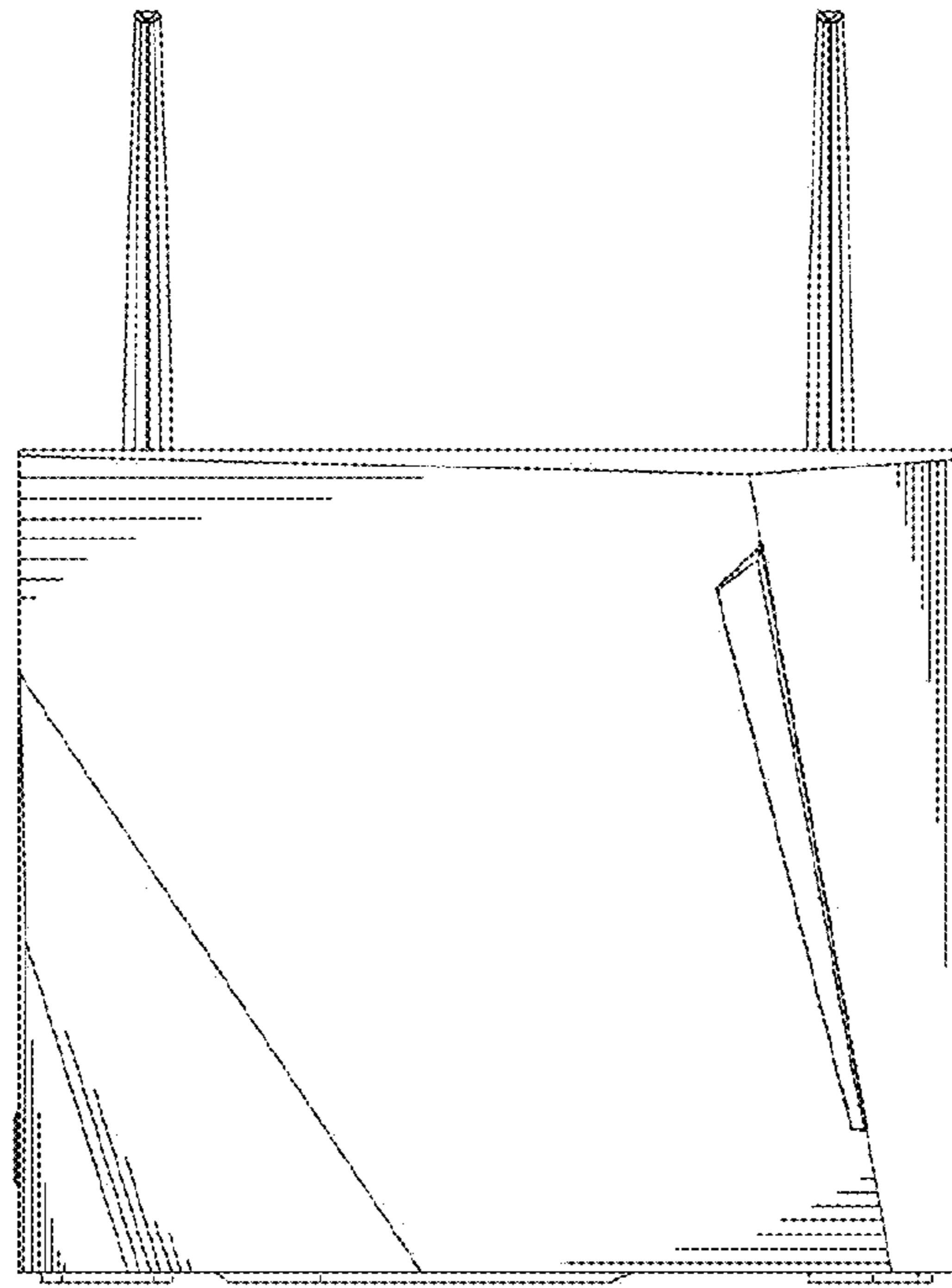


FIG. 3

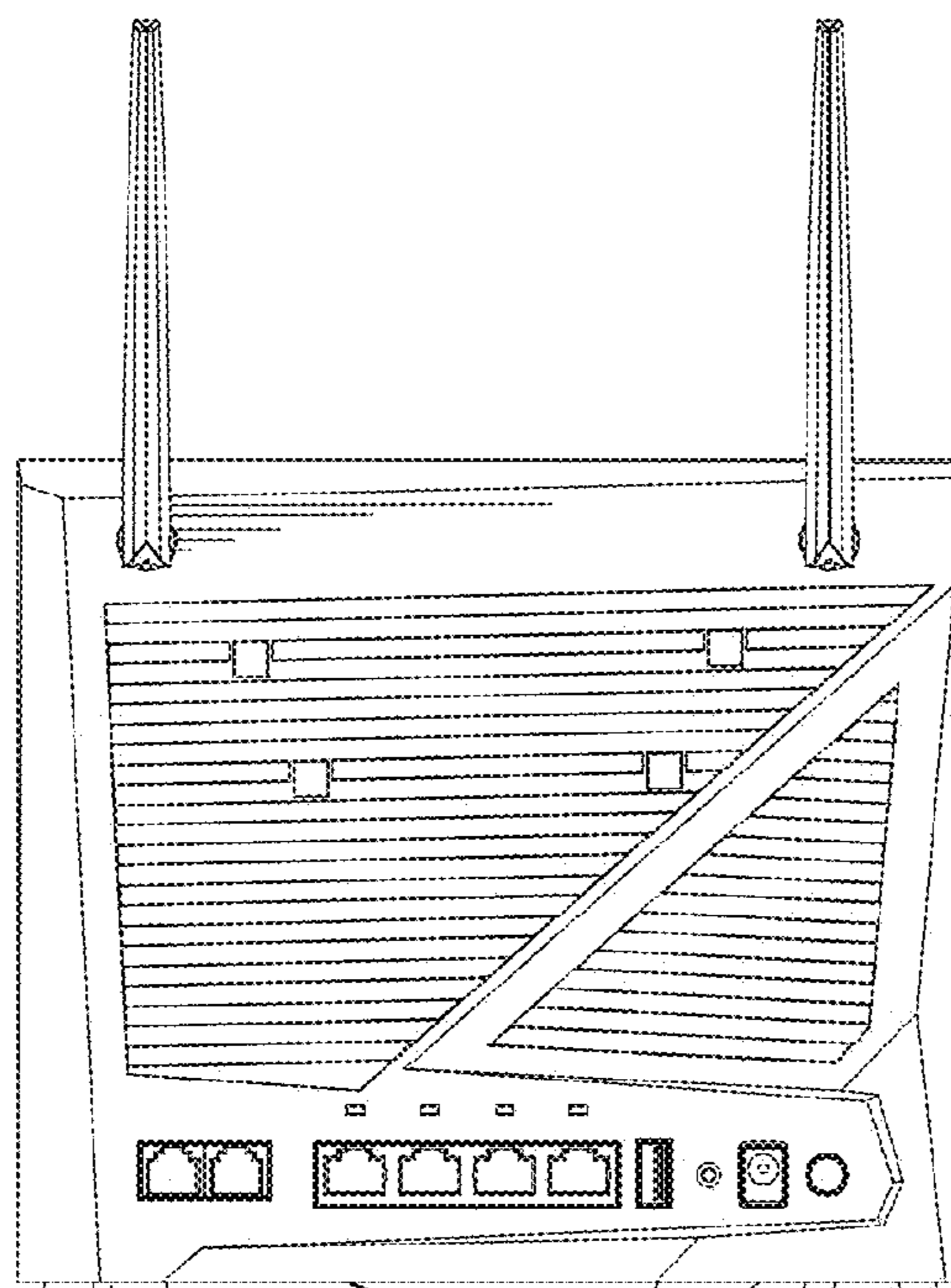


FIG. 4

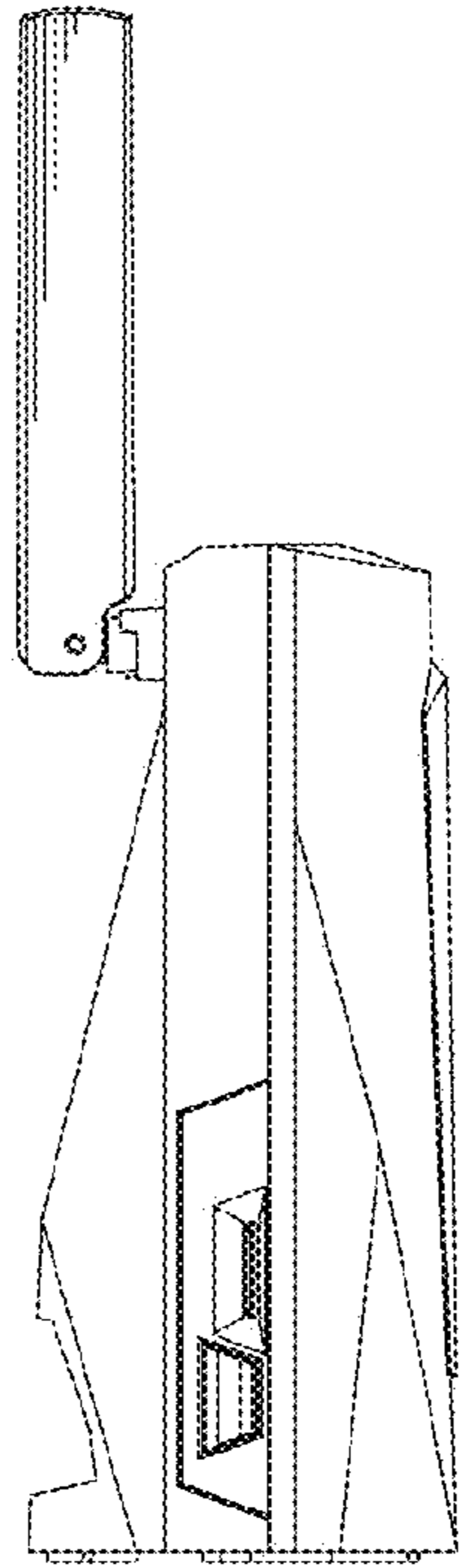


FIG. 5

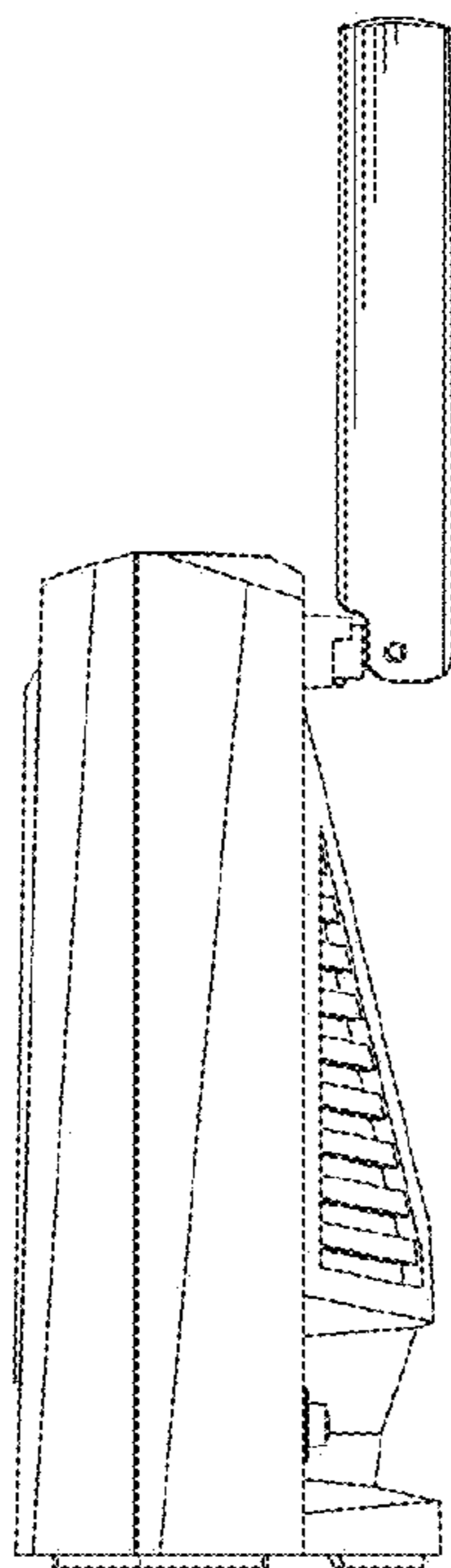


FIG. 6

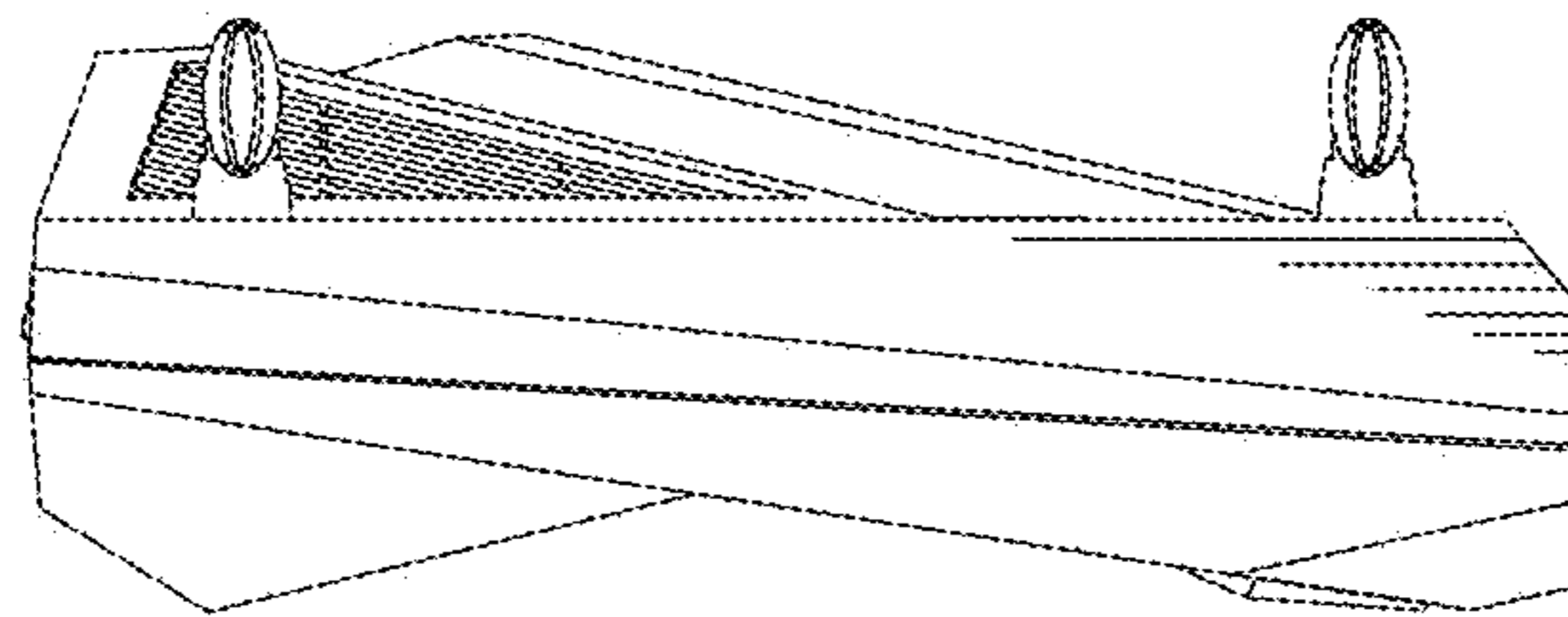


FIG. 7

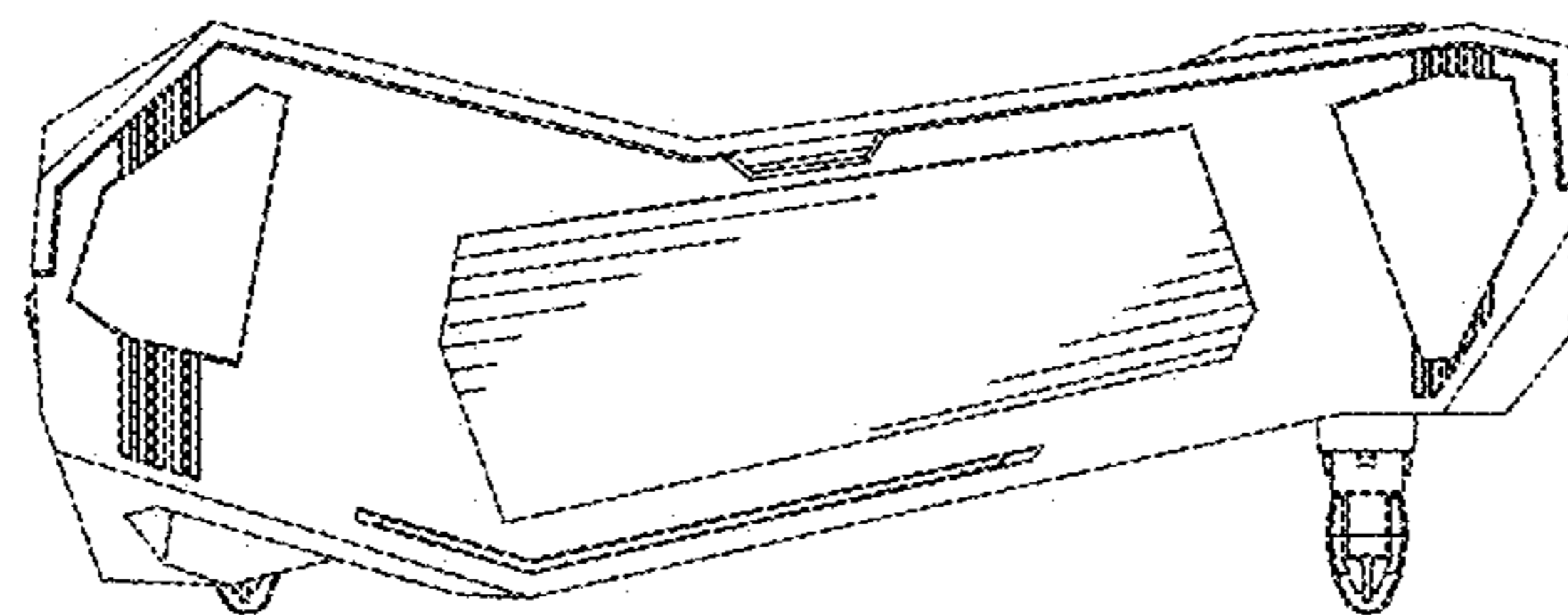


FIG. 8