

US00D733706S

(12) **United States Design Patent**
Song

(10) **Patent No.:** **US D733,706 S**
(45) **Date of Patent:** **** Jul. 7, 2015**

(54) **ELECTRONIC DEVICE**

(71) Applicant: **SAMSUNG ELECTRONICS CO., LTD.**, Suwon-si, Gyeonggi-do (KR)

(72) Inventor: **Junyong Song**, Sunghnam-si (KR)

(73) Assignee: **SAMSUNG ELECTRONICS CO., LTD.** (KR)

(**) Term: **14 Years**

(21) Appl. No.: **29/470,870**

(22) Filed: **Oct. 25, 2013**

(30) **Foreign Application Priority Data**

Aug. 30, 2013 (KR) 30-2013-0044696

(51) **LOC (10) Cl.** **14-02**

(52) **U.S. Cl.**
USPC **D14/344**; D10/32

(58) **Field of Classification Search**
USPC D14/140, 137, 138 R, 138 AB, 139, 155, D14/191, 192, 203.1, 203.3, 203.4, 203.5, D14/203.7, 248, 226, 218, 144, 240, 344, D14/440, 341, 346, 448, 450, 496; D10/30-39, 70, 65, 78, 104.1, 104.2, D10/125; D11/3-5, 12, 19, 25; D13/168; D8/354, 366, 402, 499; D3/215; D15/199; 381/364, 151; 379/433.1; 455/575.1, 556.1, 556.2, 558, 575.3, 455/575.4, 575.6, 90.3; 368/10, 13, 69, 368/223; D21/329; D24/167
CPC H04B 1/03; H04B 1/385; G04G 17/083
See application file for complete search history.

(56) **References Cited**

U.S. PATENT DOCUMENTS

D80,307 S * 1/1930 Conant D10/38
D266,230 S * 9/1982 Tsukahara D10/38
D293,892 S * 1/1988 Ichikawa D10/38

D303,769 S * 10/1989 Ando D10/38
D331,020 S * 11/1992 Ishii et al. D10/31
D401,159 S * 11/1998 Sugita et al. D10/30
D447,704 S * 9/2001 Deguines D10/39
D456,274 S * 4/2002 Mille D10/30
6,678,535 B1 * 1/2004 Narayanaswami 455/557
D507,550 S * 7/2005 Kim et al. D14/138 R
7,038,634 B2 * 5/2006 Bisig 343/866
D535,205 S * 1/2007 Frederick et al. D10/104.1
D589,375 S * 3/2009 Tang D10/32
D598,301 S * 8/2009 Moritz D10/32
D606,423 S * 12/2009 Mille D10/38
D610,476 S * 2/2010 Daniel D10/65
D621,808 S * 8/2010 Kim D14/138 R
D632,192 S * 2/2011 Jorst et al. D10/38

(Continued)

OTHER PUBLICATIONS

Hyper link <http://mobilab.tistory.com/33> printed on Oct. 23, 2013, pp. 1-9.

Primary Examiner — Susan Bennett Hattan
Assistant Examiner — Marie Fast Horse
(74) *Attorney, Agent, or Firm* — Cantor Colburn LLP

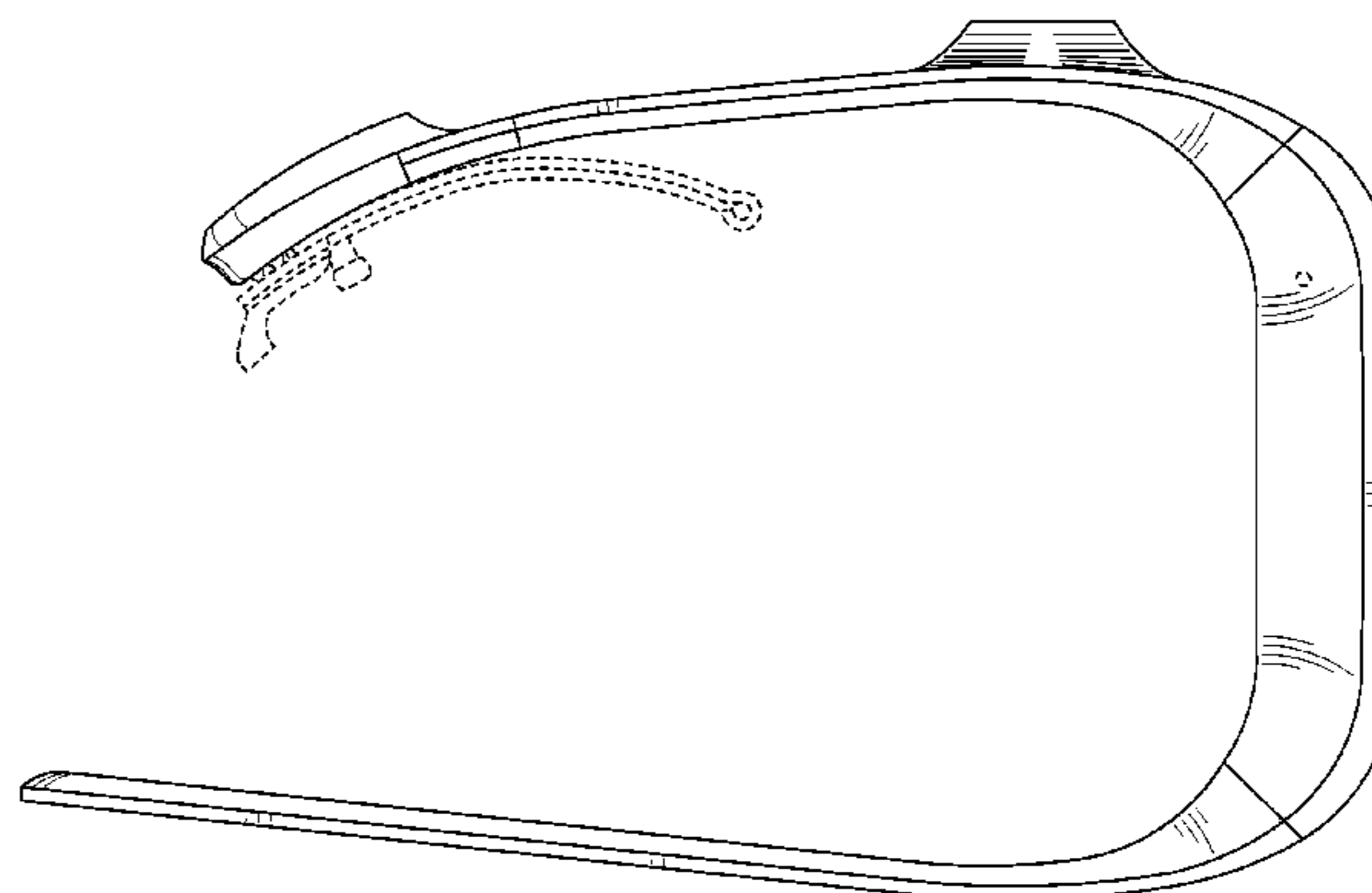
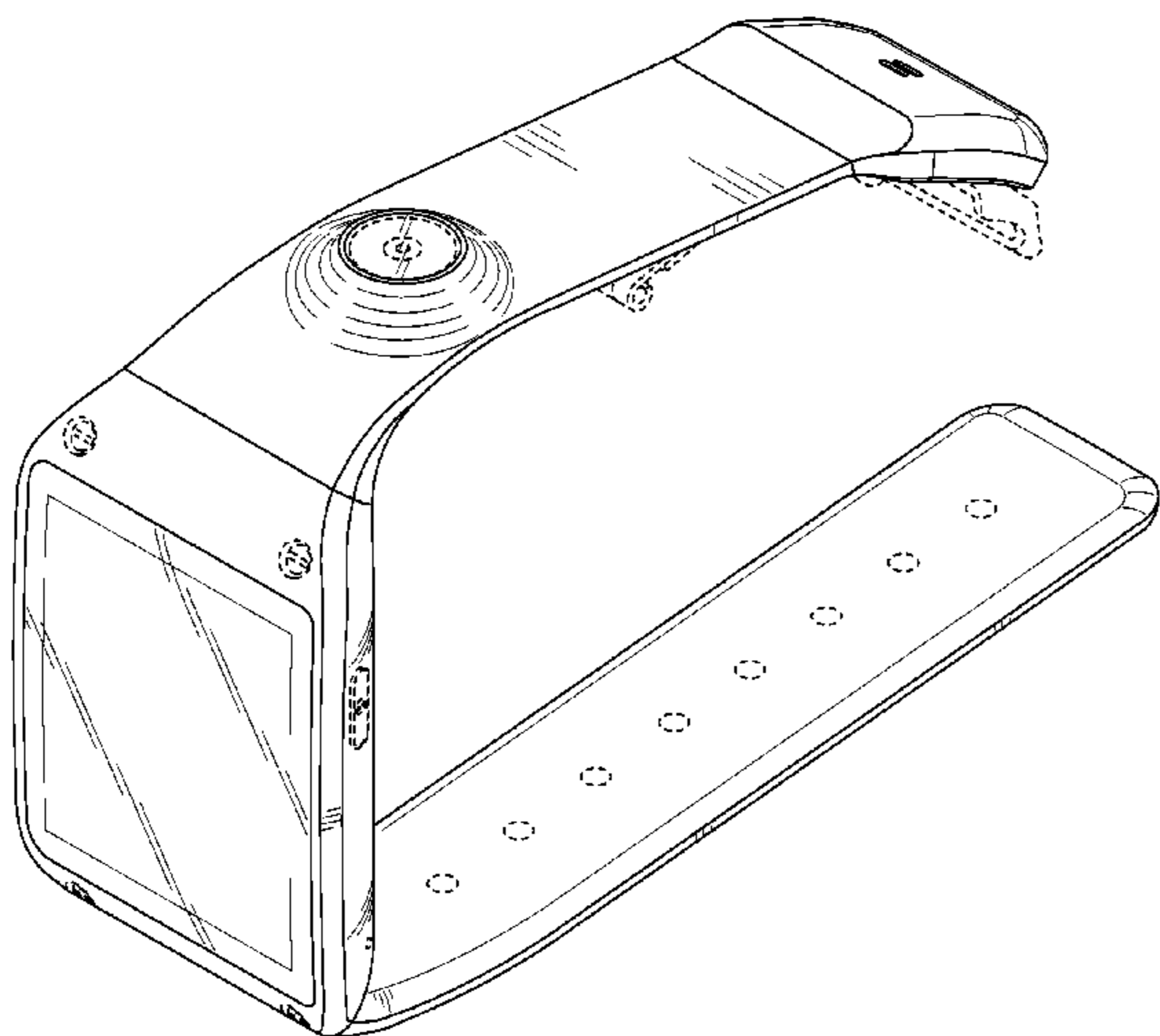
(57) **CLAIM**

I claim, the ornamental design for an electronic device, as shown and described.

DESCRIPTION

FIG. 1 is the front perspective view of an electronic device showing my new design;
FIG. 2 is a front elevation view thereof;
FIG. 3 is a rear elevation view thereof;
FIG. 4 is a side elevation view thereof;
FIG. 5 is another side elevation view thereof;
FIG. 6 is a top plan view thereof; and,
FIG. 7 is a bottom plan view thereof.
The broken lines depict portions of the electronic device, that form no part of the claimed design.

1 Claim, 7 Drawing Sheets



(56)

References Cited

U.S. PATENT DOCUMENTS

D636,686 S *	4/2011	Cobbett et al.	D10/38	8,301,211 B2 *	10/2012	Lee et al.	455/575.6
D637,094 S *	5/2011	Cobbett et al.	D10/32	D672,255 S *	12/2012	Zanella et al.	D10/32
D637,918 S *	5/2011	Cobbett et al.	D10/31	D673,334 S *	12/2012	Guo	D30/152
D637,992 S *	5/2011	Tom et al.	D14/138 G	D673,868 S *	1/2013	Mille	D10/39
D638,725 S *	5/2011	Morrison	D10/39	8,380,258 B2 *	2/2013	Kim et al.	455/575.1
D639,955 S *	6/2011	Riobo Aboy et al.	D24/165	D679,199 S *	4/2013	Mille	D10/39
D640,367 S *	6/2011	Lin et al.	D24/107	D680,651 S *	4/2013	Lumme et al.	D24/167
D645,910 S *	9/2011	Foster et al.	D21/333	D689,378 S *	9/2013	Mille	D10/34
D646,184 S *	10/2011	Duport et al.	D10/39	D692,323 S *	10/2013	Mille	D10/39
D651,115 S *	12/2011	Willows et al.	D11/3	D694,657 S *	12/2013	Mille	D10/39
D656,856 S *	4/2012	Kleinberg	D11/3	8,620,395 B2 *	12/2013	Kang et al.	455/575.1
D658,515 S *	5/2012	Mille	D10/39	D703,661 S *	4/2014	Krause et al.	D14/341
D660,726 S *	5/2012	Register et al.	D10/38	D708,980 S *	7/2014	Brantman	D10/128
D664,047 S *	7/2012	Mille	D10/39	D709,476 S *	7/2014	Park et al.	D14/138 R
D664,048 S *	7/2012	Mille	D10/39	D710,216 S *	8/2014	Mille	D10/38
D665,277 S *	8/2012	Chiang	D10/38	2009/0143117 A1 *	6/2009	Shin et al.	455/575.6
D665,952 S *	8/2012	Guo	D30/152	2009/0156255 A1 *	6/2009	Shin et al.	455/558
D667,126 S *	9/2012	Cho et al.	D24/186	2009/0201767 A1 *	8/2009	Caldwell	368/10
8,275,327 B2 *	9/2012	Yi et al.	455/90.3	2011/0032105 A1 *	2/2011	Hoffman et al.	340/573.1
					2012/0122519 A1 *	5/2012	Jochheim	455/556.1
					2013/0222139 A1 *	8/2013	Gouge et al.	340/573.1
					2014/0172983 A1 *	6/2014	Imamura	709/204

* cited by examiner

FIG. 1

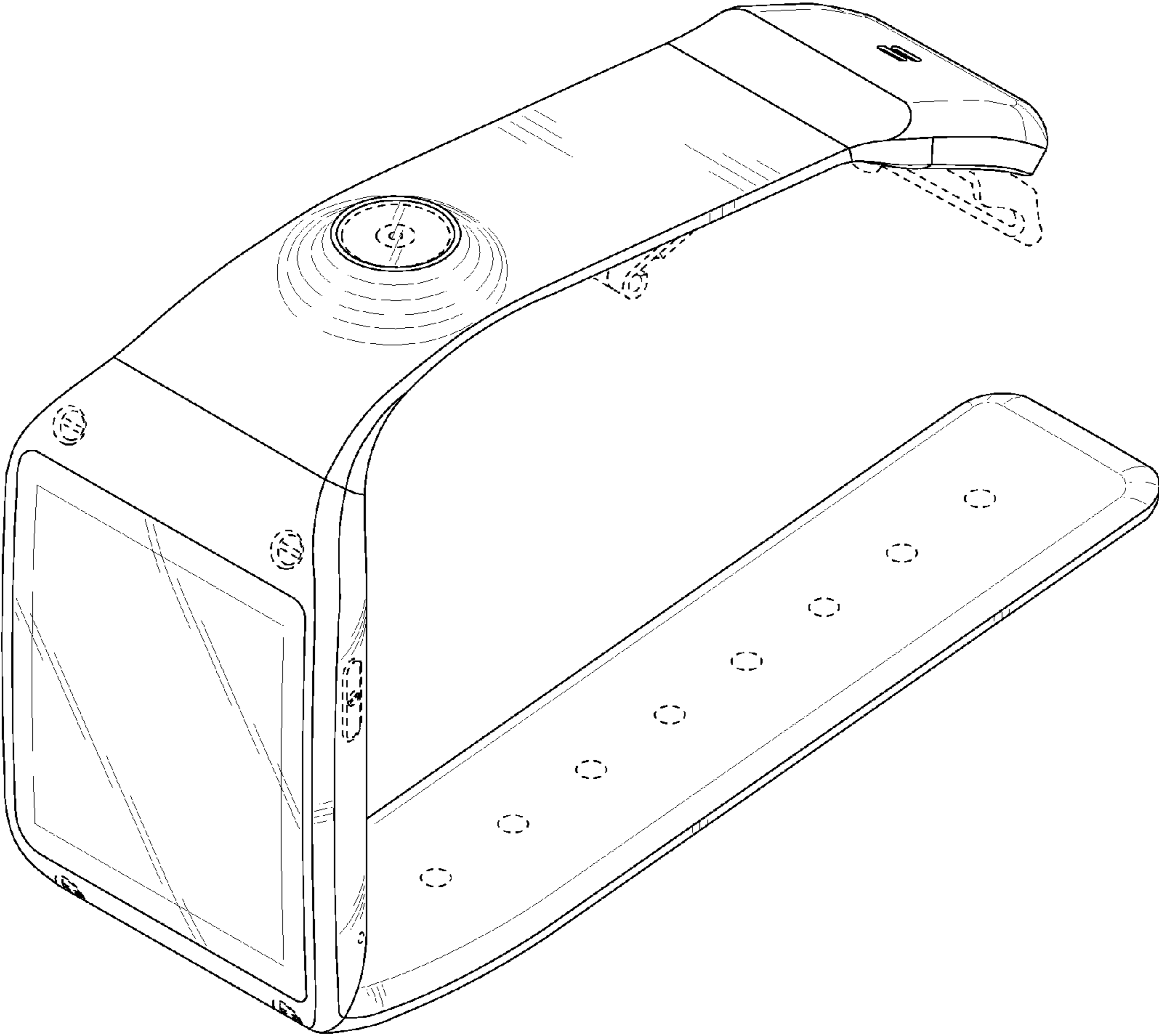


FIG. 2

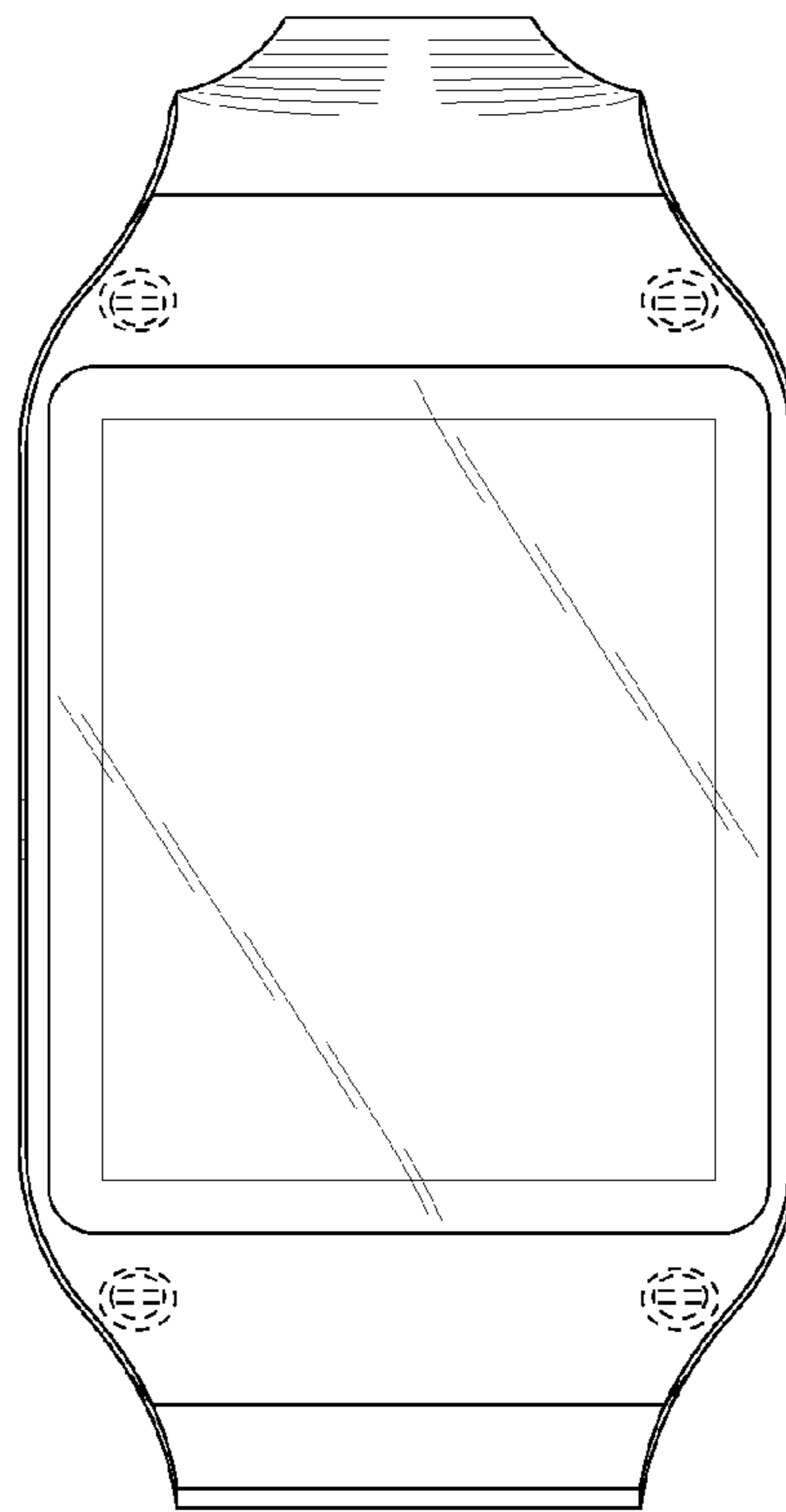


FIG. 3

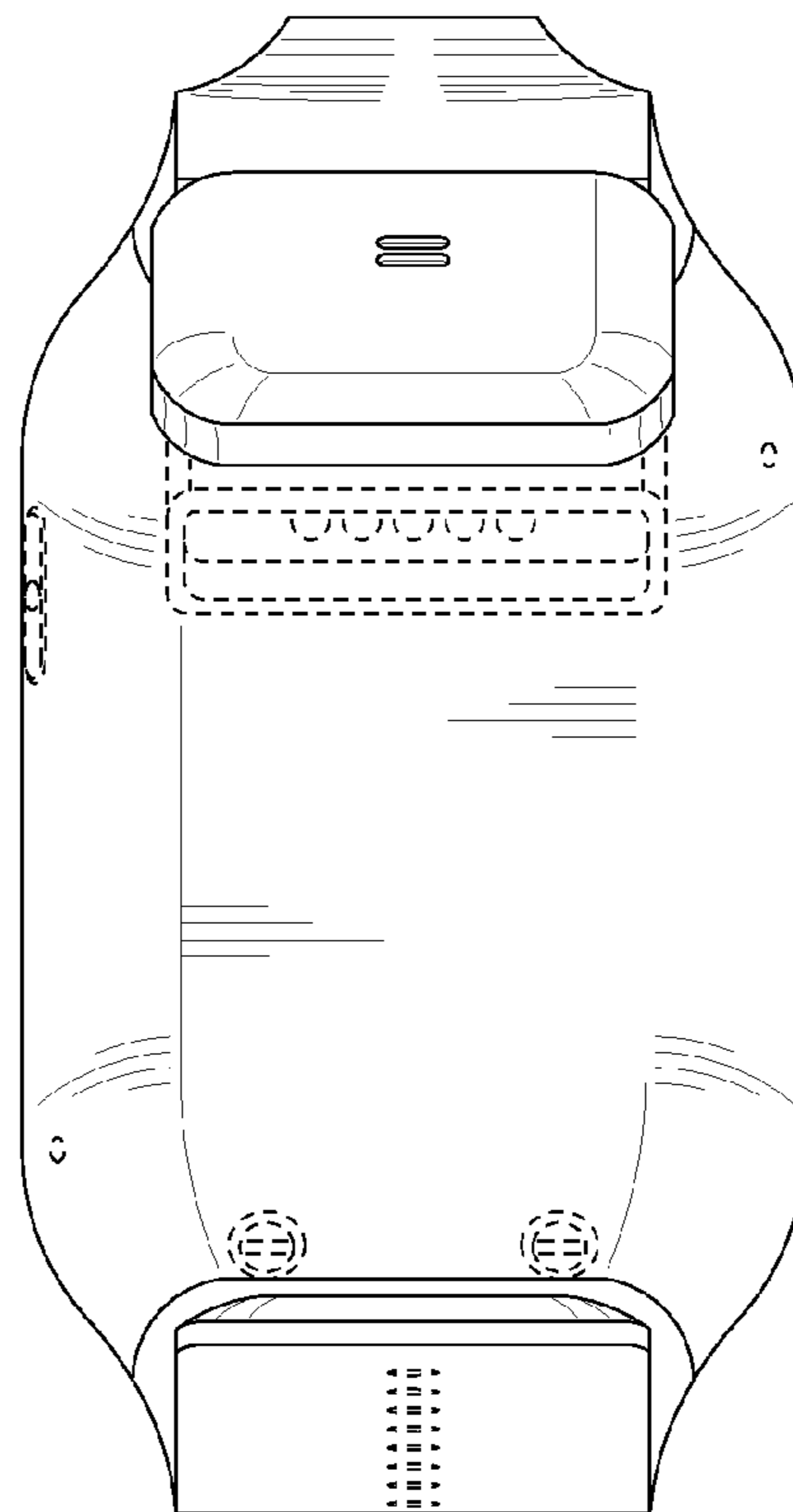


FIG. 4

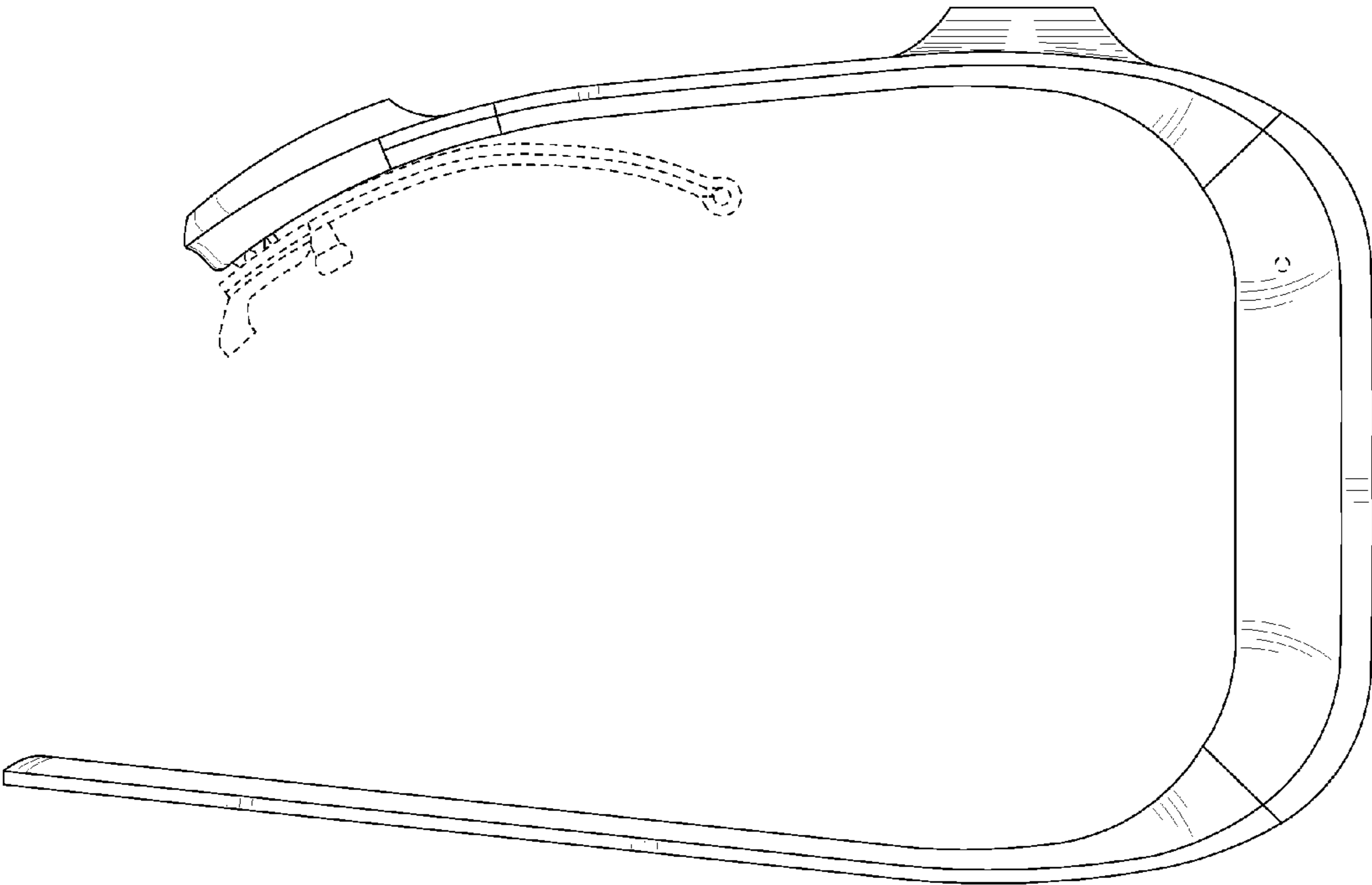


FIG. 5

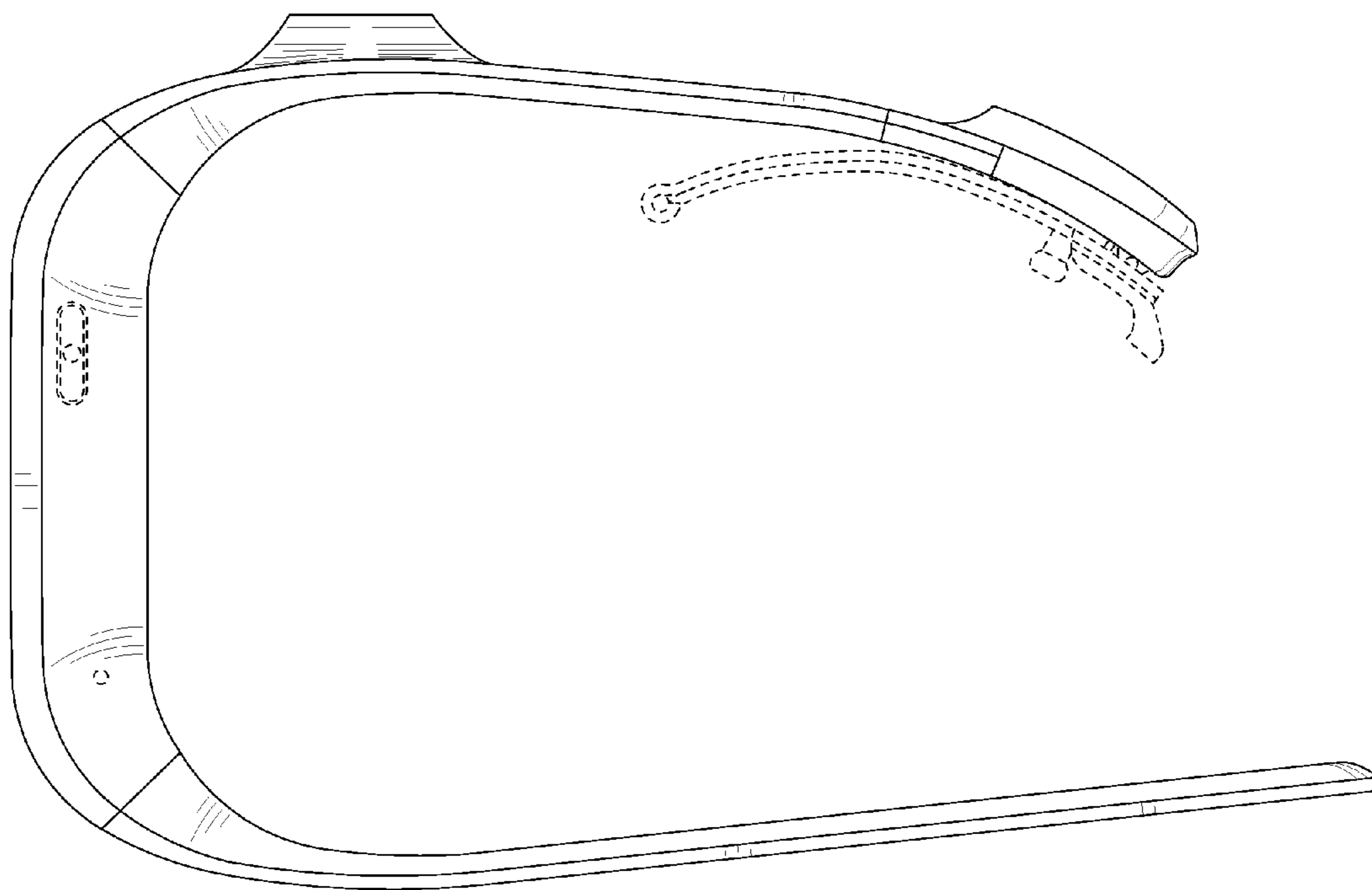


FIG. 6

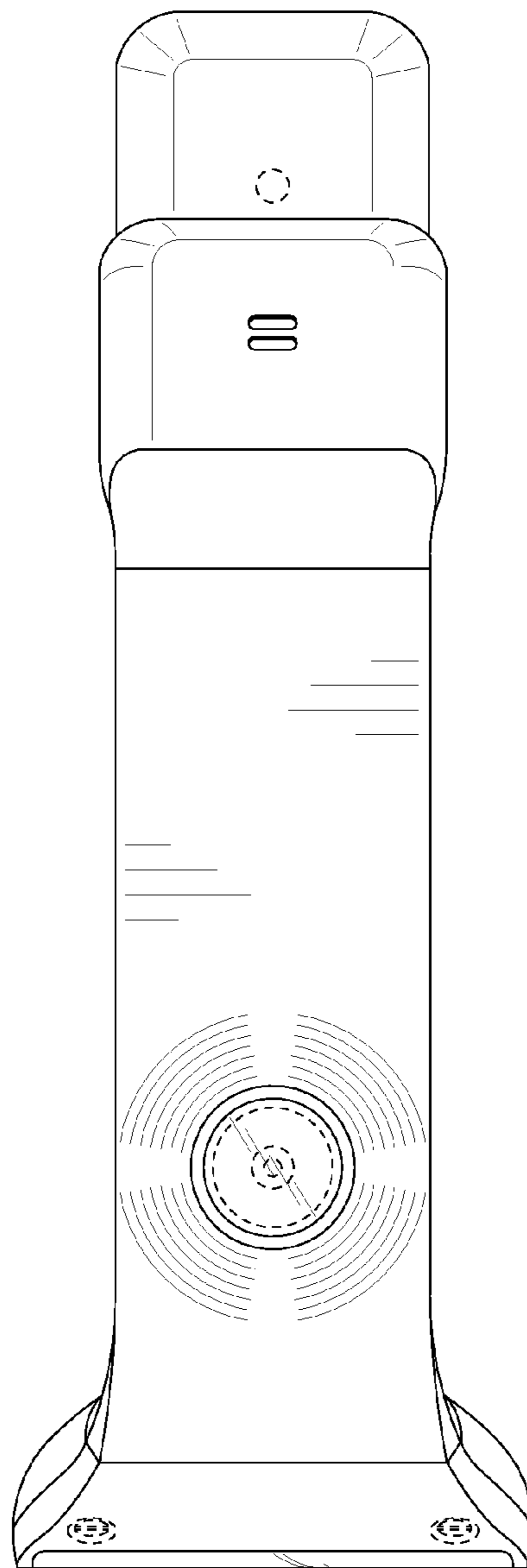


FIG. 7

