



US00D733704S

(12) **United States Design Patent**
Nagao et al.

(10) **Patent No.:** **US D733,704 S**
(45) **Date of Patent:** **** Jul. 7, 2015**

(54) **PERSONAL COMPUTER**

(71) Applicant: **FUJITSU LIMITED**, Kawasaki-shi,
Kanagawa (JP)

(72) Inventors: **Eiji Nagao**, Ichikawa (JP); **Hiroyuki Fujita**, Tokyo (JP); **Mark Friesen**, Tokyo (JP); **Nobuharu Tsusaka**, Kawasaki (JP); **Hisao Morooka**, Kawasaki (JP); **Toni Koberling**, München (DE)

(73) Assignee: **FUJITSU LIMITED**, Kawasaki (JP)

(**) Term: **14 Years**

(21) Appl. No.: **29/454,017**

(22) Filed: **May 6, 2013**

(30) **Foreign Application Priority Data**

Nov. 6, 2012 (JP) 2012-026972

(51) **LOC (10) Cl.** **14-02**

(52) **U.S. Cl.**
USPC **D14/341**

(58) **Field of Classification Search**

USPC D14/341-347, 137, 138 R, 138 AA, D14/138 C, 138 G, 496, 203.1, 203.3, 203.4, D14/203.7, 129, 130, 147, 248, 250, 374, D14/385, 388, 389, 315-318, 439, 126, 336, D14/339, 340; D10/65, 104.1; D21/324, D21/329, 330, 332; 455/556.1, 556.2, 566, 455/575.1, 90.3; 379/433.04, 433.01, 379/433.06, 916; 345/173; 361/679.26, 361/679.27, 679.3, 679.55, 679.56, 361/680-686; D6/310; 463/37; 248/917-924; 348/373, 376; D19/26
CPC A63H 33/3016; G06F 1/1613; H04M 1/0202; H04M 1/0279; H04M 1/0281; H04M 1/0283

See application file for complete search history.

(56) **References Cited**

U.S. PATENT DOCUMENTS

D431,230	S	*	9/2000	Began	D13/184
D582,408	S	*	12/2008	Maiers et al.	D14/356
D582,409	S	*	12/2008	Maiers et al.	D14/356
D583,813	S	*	12/2008	Maiers et al.	D14/356
D601,976	S	*	10/2009	Petrillo et al.	D13/168
D619,990	S	*	7/2010	Lai	D14/138 G
D626,957	S	*	11/2010	Juan et al.	D14/345
D642,625	S	*	8/2011	Assa	D21/329
D654,073	S	*	2/2012	Li	D14/341
D662,932	S	*	7/2012	Park et al.	D14/341
D678,270	S	*	3/2013	Song et al.	D14/341
D693,297	S	*	11/2013	Inskeep	D13/108
D697,513	S	*	1/2014	Morooka et al.	D14/441
D698,341	S	*	1/2014	Lee	D14/248
D705,782	S	*	5/2014	McParland et al.	D14/435
D712,839	S	*	9/2014	Lee et al.	D13/147
D715,280	S	*	10/2014	Lee et al.	D14/248
D715,287	S	*	10/2014	Nagao et al.	D14/316
D716,802	S	*	11/2014	Koberling et al.	D14/349
D721,361	S	*	1/2015	Lee et al.	D14/315
2011/0048755	A1	*	3/2011	Su et al.	174/50

* cited by examiner

Primary Examiner — Barbara Fox

Assistant Examiner — Dana K Weiland

(74) *Attorney, Agent, or Firm* — Staas & Halsey LLP

(57) **CLAIM**

The ornamental design for a personal computer, as shown and described.

DESCRIPTION

FIG. 1 is a perspective view of rear, bottom and left side of a personal computer showing our new design;

FIG. 2 is a front view thereof;

FIG. 3 is a rear view thereof;

FIG. 4 is a left side view thereof;

FIG. 5 is a right side view thereof;

FIG. 6 is a top view thereof; and,

FIG. 7 is a bottom view thereof.

The broken lines shown are included for the purpose of illustrating portions of the personal computer that form no part of the claimed design.

1 Claim, 5 Drawing Sheets

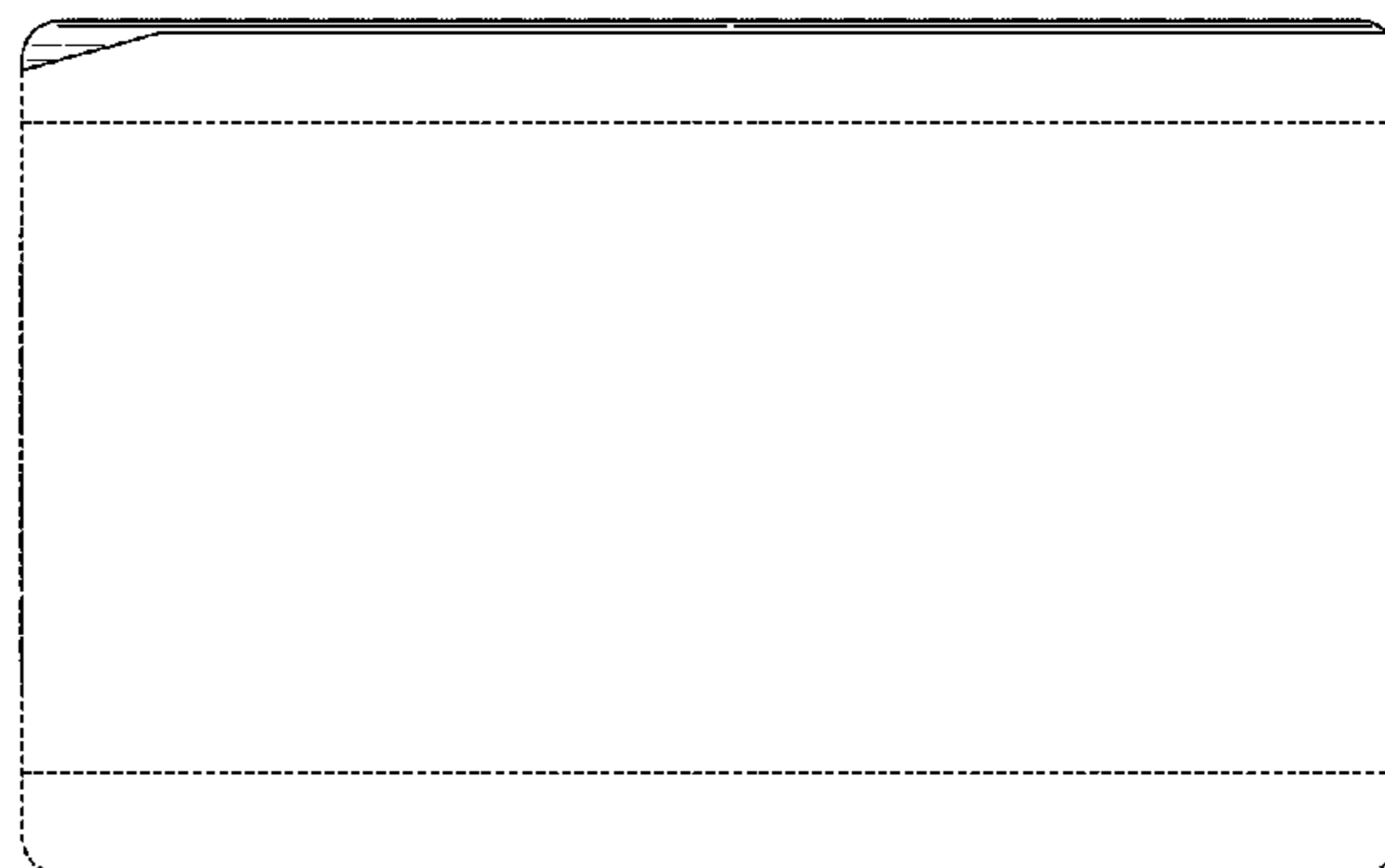
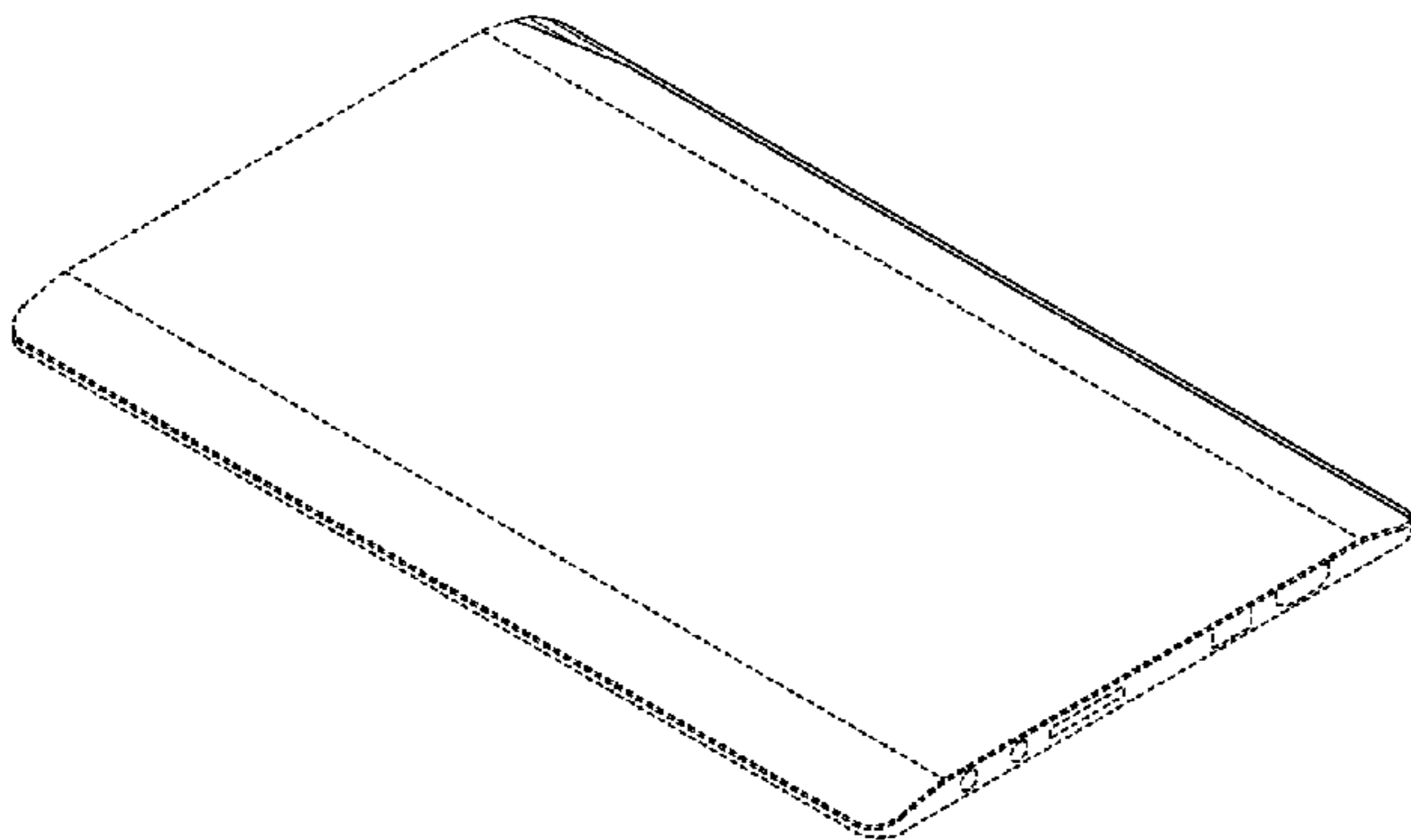


Fig. 1

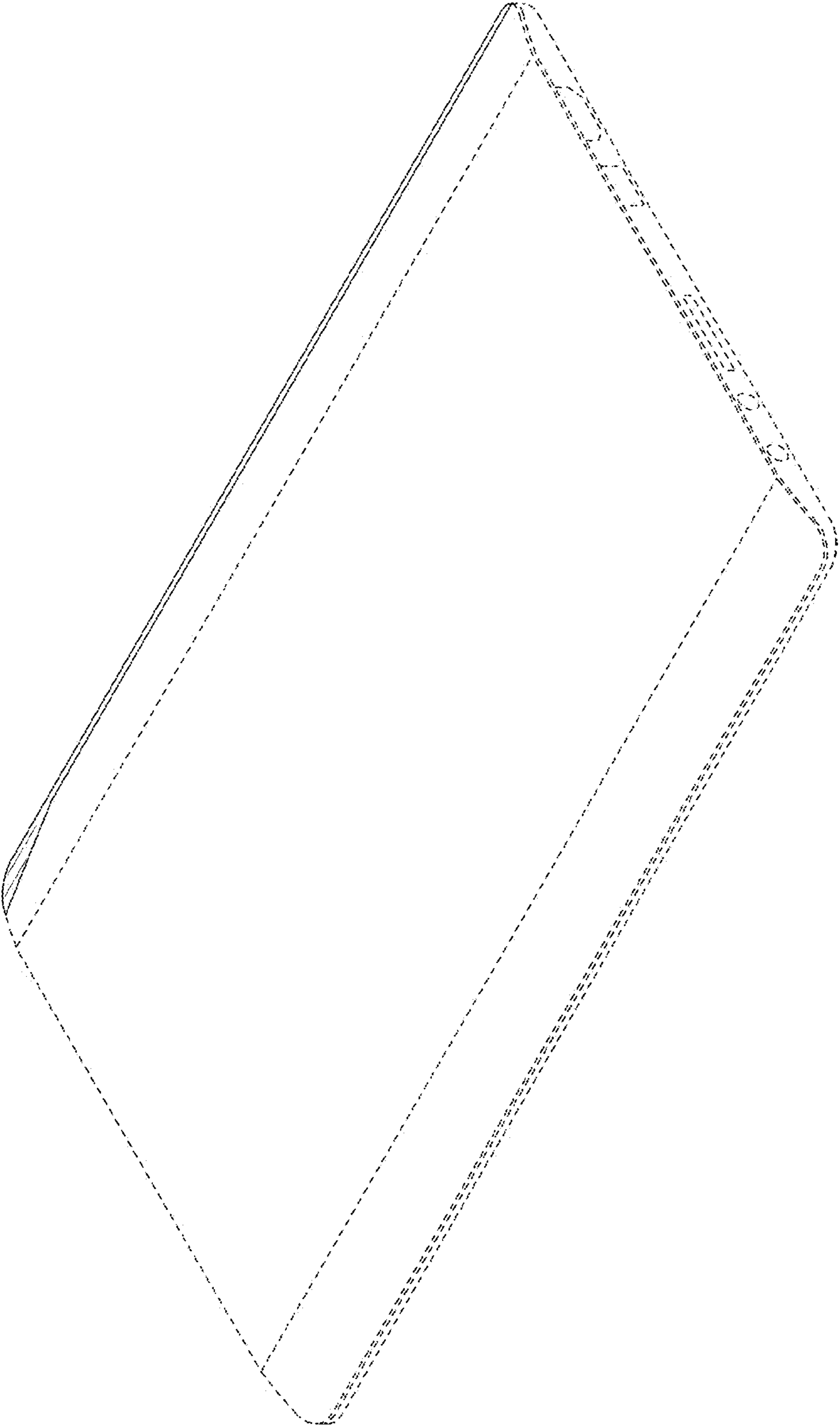


Fig. 2

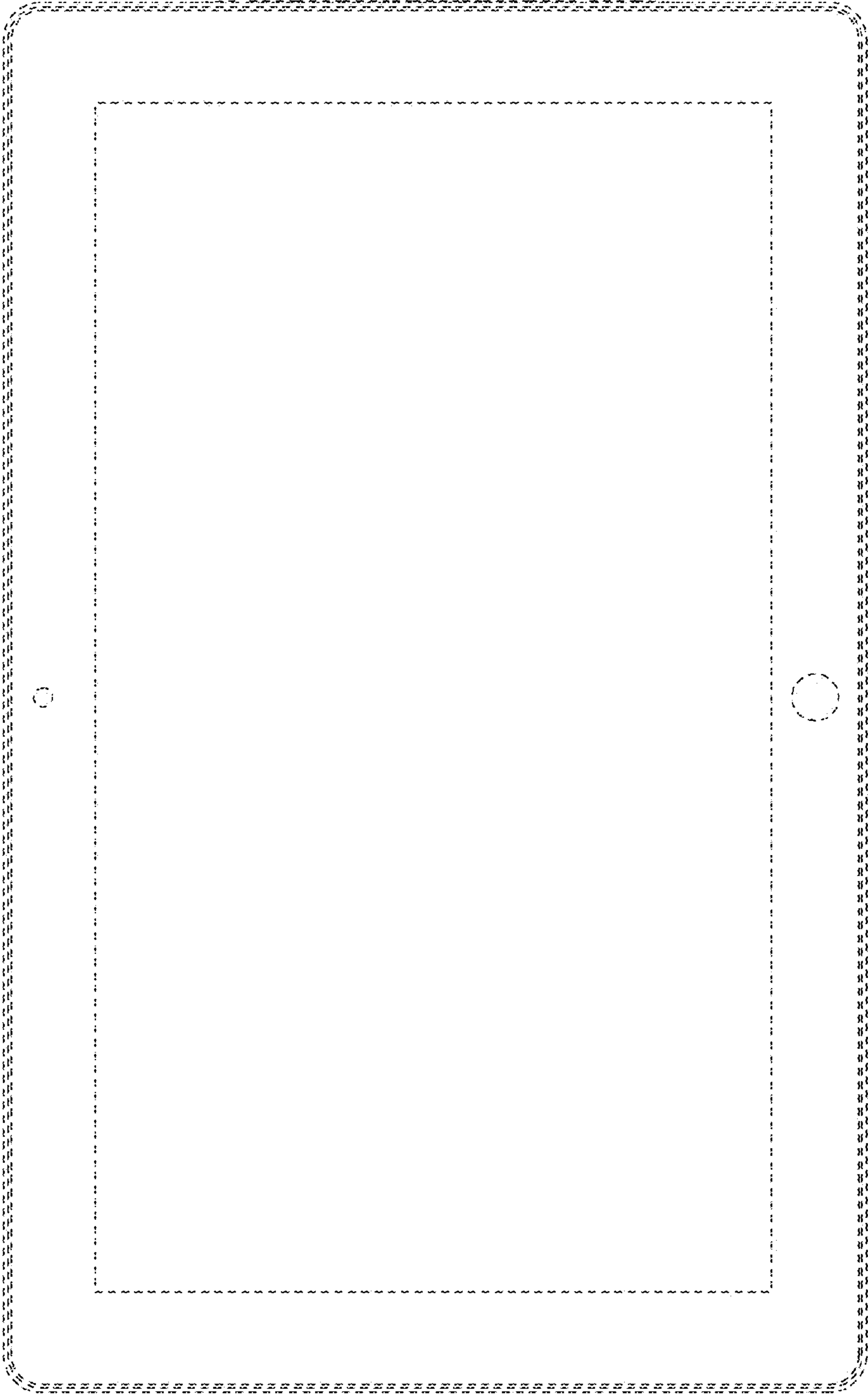


Fig. 3

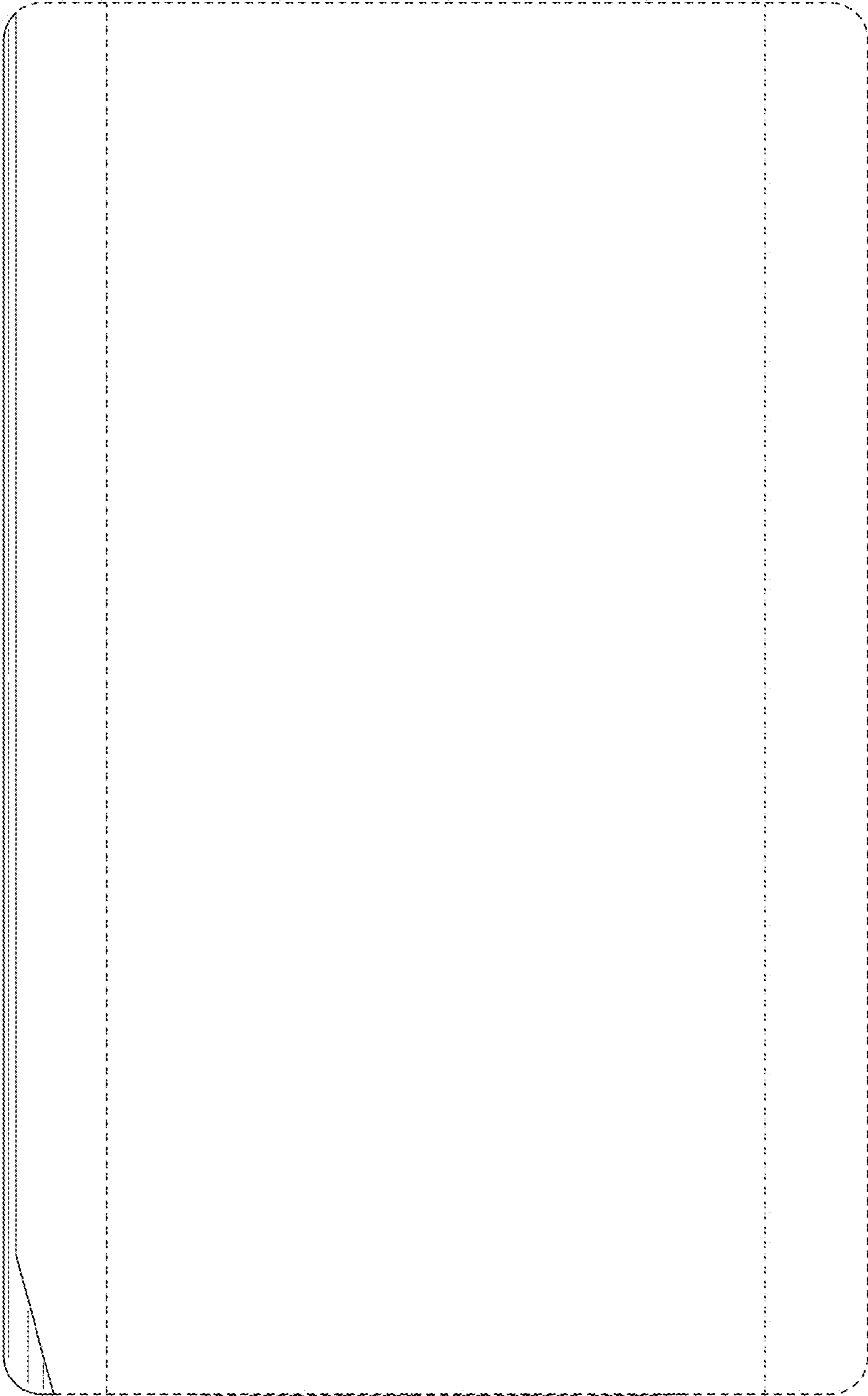


Fig. 5

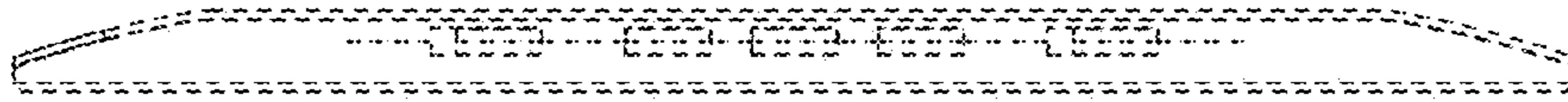


Fig. 4

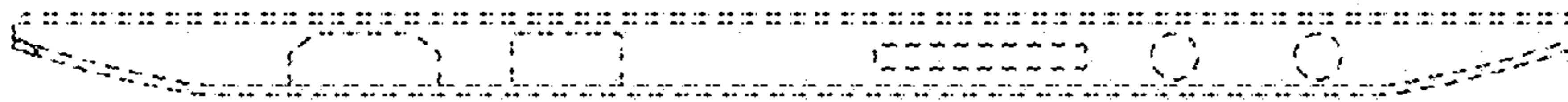


Fig. 6

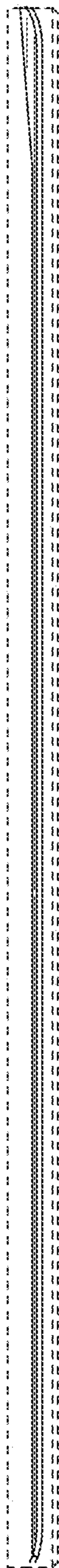


Fig. 7

