



US00D733698S

(12) **United States Design Patent**
Suzuki et al.

(10) **Patent No.:** **US D733,698 S**
(45) **Date of Patent:** **** Jul. 7, 2015**

(54) **PORTABLE COMPUTER**

(71) Applicant: **Panasonic Corporation**, Kadoma-shi,
Osaka (JP)

(72) Inventors: **So Suzuki**, Osaka (JP); **Takashi
Tsukahara**, Osaka (JP); **Satoshi
Tanigawa**, Osaka (JP); **Yoshito
Ishikawa**, Osaka (JP)

(73) Assignee: **PANASONIC INTELLECTUAL
PROPERTY MANAGEMENT CO.,
LTD.**, Osaka (JP)

(**) Term: **14 Years**

(21) Appl. No.: **29/480,643**

(22) Filed: **Jan. 28, 2014**

(30) **Foreign Application Priority Data**

Jul. 30, 2013 (JP) 2013-017323

Jul. 30, 2013 (JP) 2013-017324

(51) **LOC (10) Cl.** **14-02**

(52) **U.S. Cl.**
USPC **D14/315; D3/321**

(58) **Field of Classification Search**

USPC D14/315-318, 341-344, 129, 130, 496,
D14/137, 138 R, 138 AA, 138 C, 138 G,
D14/138 AB, 147, 203.1, 203.3, 203.4,
D14/203.7, 247, 389; D6/300-302, 308,
D6/310, 312, 322; D18/6, 7; D21/324,
D21/329, 330, 332; 455/556.2, 566;
379/916, 433.04, 433.1; 345/901, 905,
345/173; 361/679.26, 679.3, 679.55,
361/679.56; D3/321

CPC G06F 1/1616; G06F 1/1656; G06F
2200/1633; G06F 1/1628; H04M 1/035;
H05K 5/023

See application file for complete search history.

(56) **References Cited**

U.S. PATENT DOCUMENTS

D316,752 S * 5/1991 Ricketts D24/226

D374,442 S * 10/1996 Ozaki D14/435

(Continued)

OTHER PUBLICATIONS

Panasonic Toughbook (TechCrunch), available Jun. 24, 2009,
[online], [site visited May 7, 2015]. Available from internet, <URL:
<http://techcrunch.com/2009/06/24/a-panasonic-toughbook-vs-a-tiger-and-elephant/>>.*

(Continued)

Primary Examiner — Cathron Brooks

Assistant Examiner — Teddy Falloway

(74) *Attorney, Agent, or Firm* — Brinks Gilson & Lione

(57) **CLAIM**

We claim the ornamental design for a portable computer, as
shown and described.

DESCRIPTION

FIG. 1 is a front perspective view of a first embodiment of a
portable computer of the present invention;

FIG. 2 is a front view thereof;

FIG. 3 is a rear view thereof;

FIG. 4 is a first side view thereof;

FIG. 5 is a second side view thereof;

FIG. 6 is a top view thereof;

FIG. 7 is a bottom view thereof;

FIG. 8 is a front perspective view of a second embodiment of a
portable computer of the present invention;

FIG. 9 is a front view thereof;

FIG. 10 is a rear view thereof;

FIG. 11 is a first side view thereof;

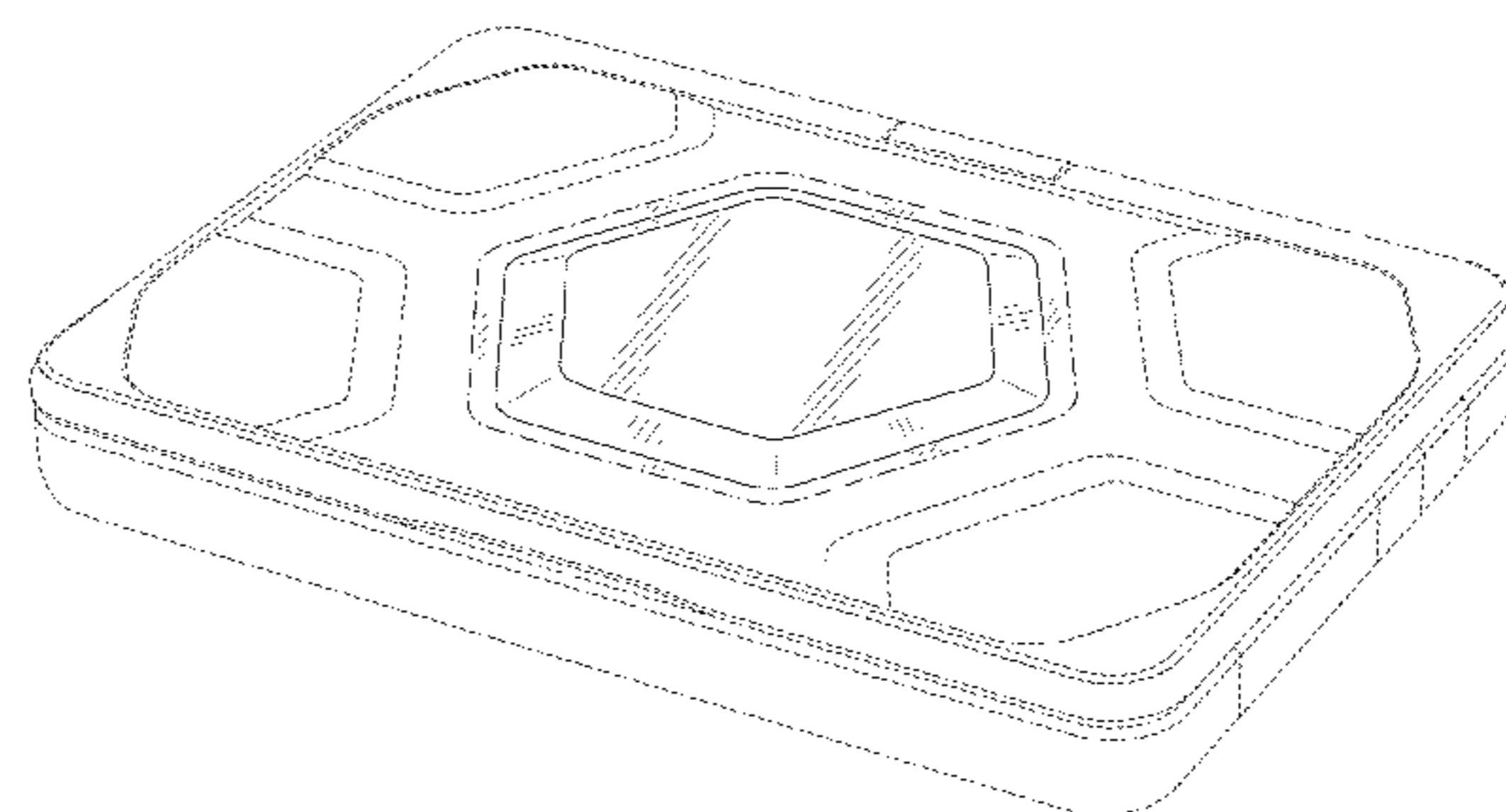
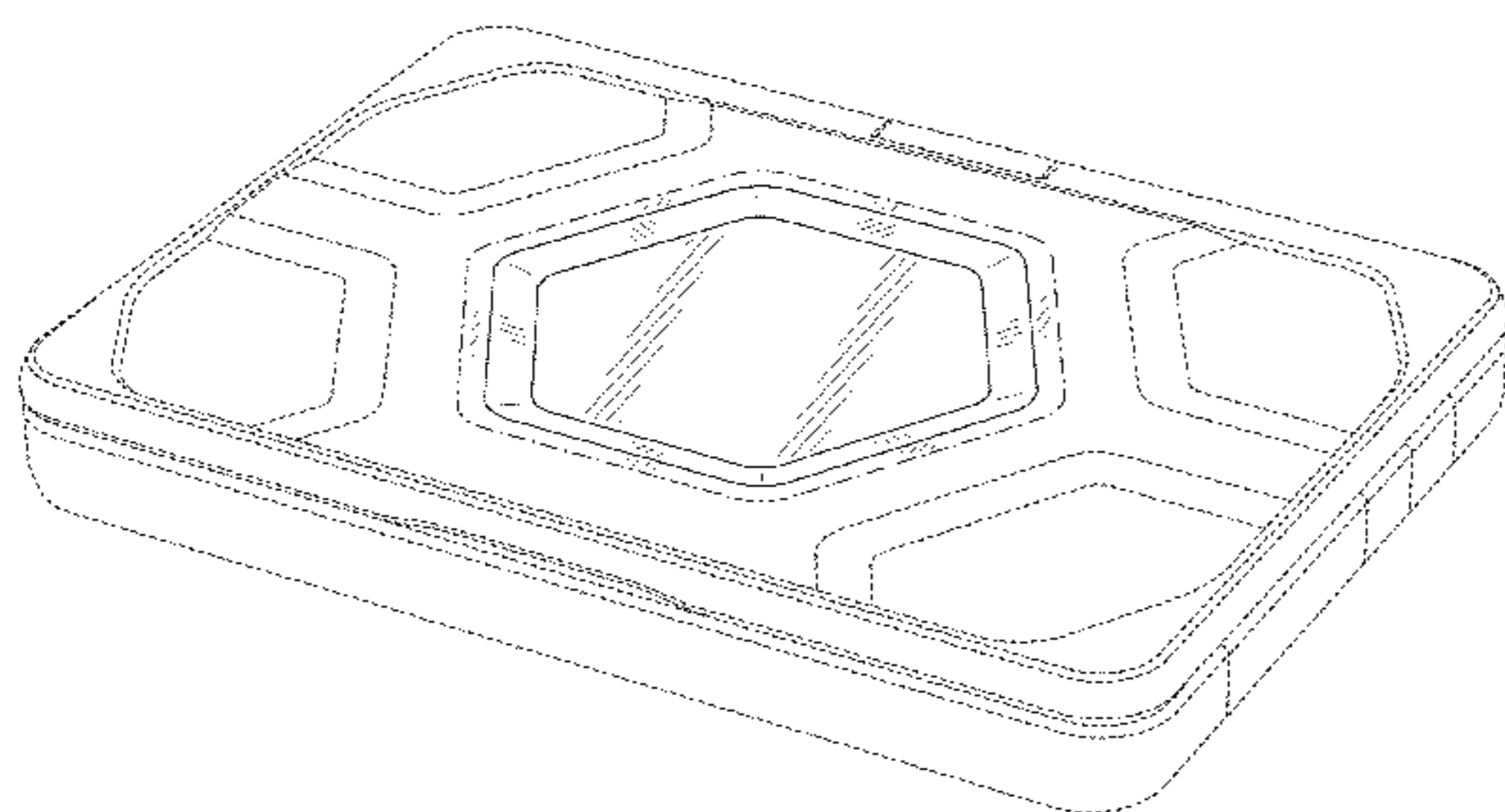
FIG. 12 is a second side view thereof;

FIG. 13 is a top view thereof; and,

FIG. 14 is a bottom view thereof.

The broken lines shown are included for the purpose of illus-
trating portions of the portable computer that form no part of
the claimed design. The unevenly broken lines in the draw-
ings define the limits of the claimed design, and form no part
thereof.

1 Claim, 14 Drawing Sheets



(56)

References Cited

U.S. PATENT DOCUMENTS

D378,180 S * 2/1997 Hayes et al. D7/554.1
 D380,648 S * 7/1997 Rider et al. D7/555
 D400,528 S * 11/1998 Kanatani D14/507
 D408,223 S * 4/1999 Henry D7/545
 D489,254 S * 5/2004 Kocis et al. D9/425
 D497,437 S * 10/2004 Poliacek et al. D25/138
 D578,878 S * 10/2008 Friedland et al. D9/425
 D578,880 S * 10/2008 Friedland et al. D9/425
 D578,881 S * 10/2008 Friedland et al. D9/425
 D578,882 S * 10/2008 Friedland et al. D9/425
 D584,141 S * 1/2009 Smith et al. D9/425
 D584,945 S * 1/2009 Friedland et al. D9/425
 D623,643 S * 9/2010 Hsu D14/315
 D623,644 S * 9/2010 Hsu et al. D14/315
 D623,647 S * 9/2010 Hsu D14/324
 D623,648 S * 9/2010 Hsu et al. D14/324
 D633,388 S * 3/2011 Andre et al. D9/456
 D636,996 S * 5/2011 Kokawa et al. D3/282
 D673,557 S * 1/2013 Cruz et al. D14/315
 D679,148 S * 4/2013 Schwartz et al. D7/629
 D687,068 S * 7/2013 Paradise et al. D14/496
 D689,334 S * 9/2013 Krueger et al. D7/538
 D701,005 S * 3/2014 Gilkey et al. D30/133
 D707,300 S * 6/2014 Davis et al. D21/318
 D720,961 S * 1/2015 Gabriel D7/502
 D721,543 S * 1/2015 Min et al. D7/553.1

D722,598 S * 2/2015 Leonard et al. D14/315
 D725,119 S * 3/2015 Gaylord D14/440
 D726,732 S * 4/2015 Lay et al. D14/440

OTHER PUBLICATIONS

Dell Latitude E6420, available Jan. 3, 2012, [online], [site visited May 20, 2015]. Available from internet, <URL: <http://www.laptopmag.com/reviews/laptops/dell-latitude-e6420-xfr>.*

Panasonic Toughbook 54 (Digital Trends), available Feb. 16, 2015, [online], [site visited May 20, 2015]. Available from internet, <URL: <http://www.digitaltrends.com/computing/panasonics-toughbook-54-smallest-semi-rugged-notebook-yet/>.*

Getac B300 (Gadget Value), available Sep. 16, 2013, [online], [site visited May 20, 2015]. Available from internet, <URL: <http://www.gadgetvalue.com/?p=973>.*

GammaTech R13C (GizMag), available Dec. 19, 2011, [online], [site visited May 20, 2015]. Available from internet, <URL: <http://www.gizmag.com/gammattech-rugged-durabook-r13c-convertible-notebook/20873/>.*

Hexagonal plate, available Jan. 21, 2012, [online], [site visited May 20, 2015]. Available from internet, <URL: <http://www.pipii.co.uk/hexagonal-palm-leaf-plates.html>.*

Hexagonal Dish, available Aug. 10, 2013, [online], [site visited May 20, 2015]. Available from internet, <URL: <http://www.eliteauction.com/catalogues/081013/view.php?id=115>.*

* cited by examiner

FIG. 1

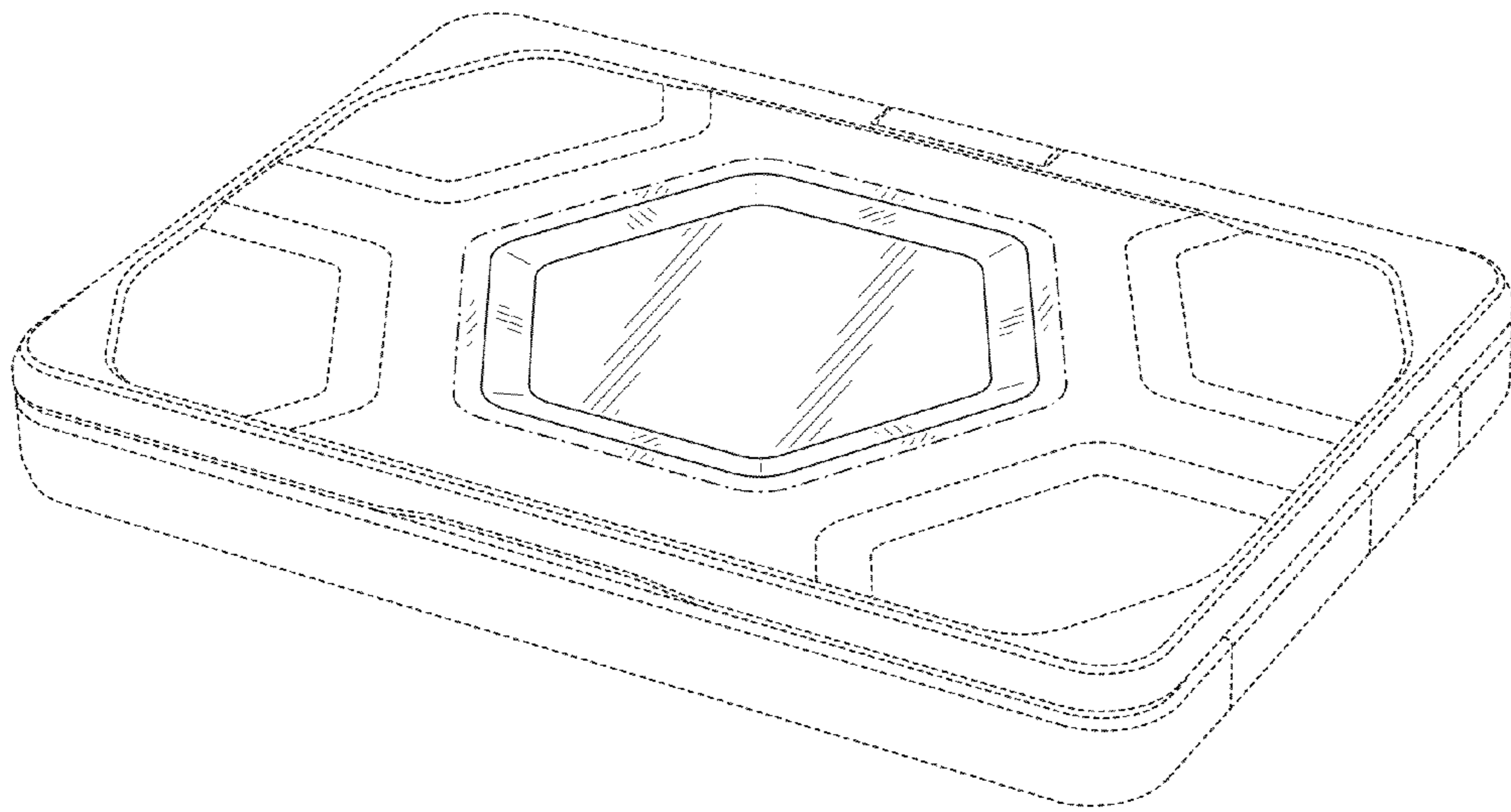


FIG.2

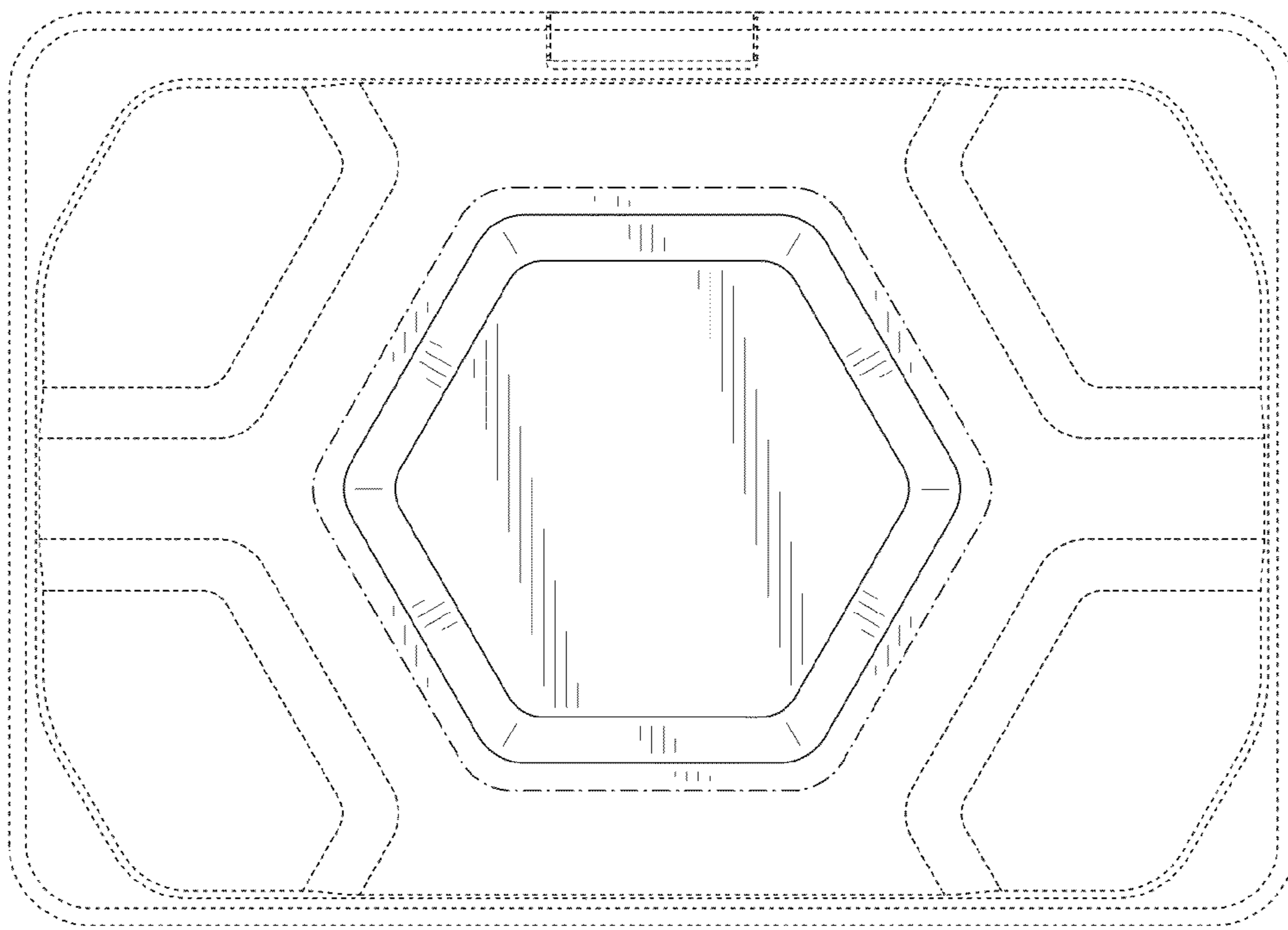


FIG.3

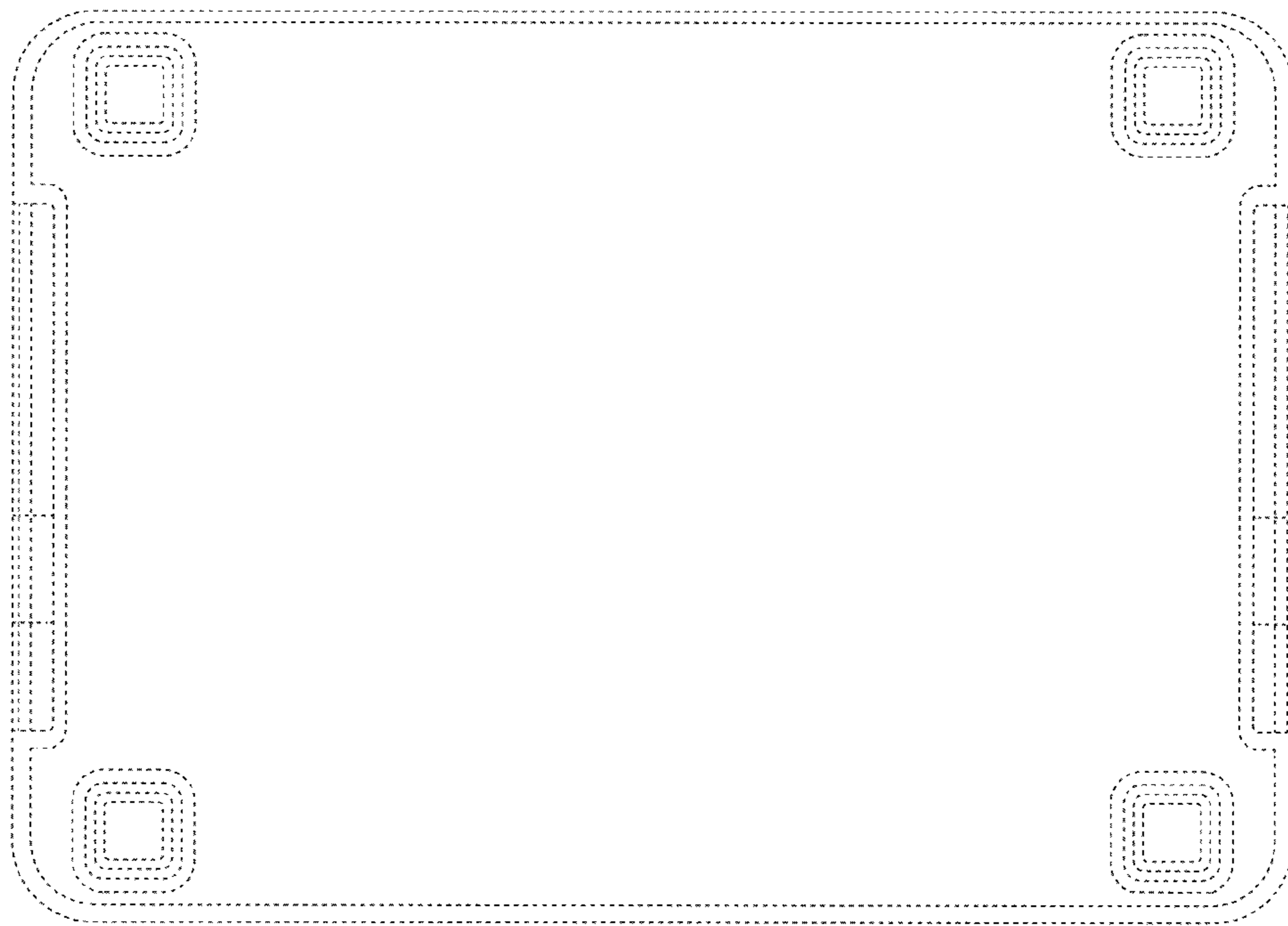


FIG.4

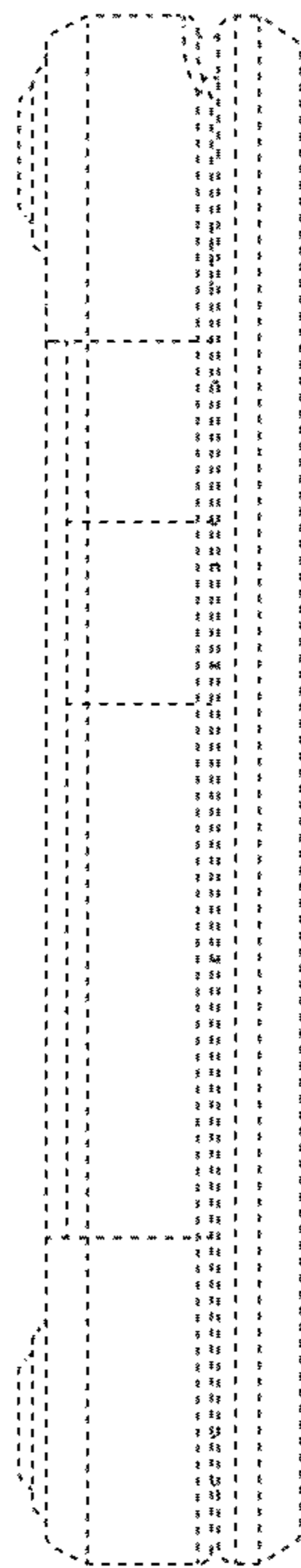


FIG.5

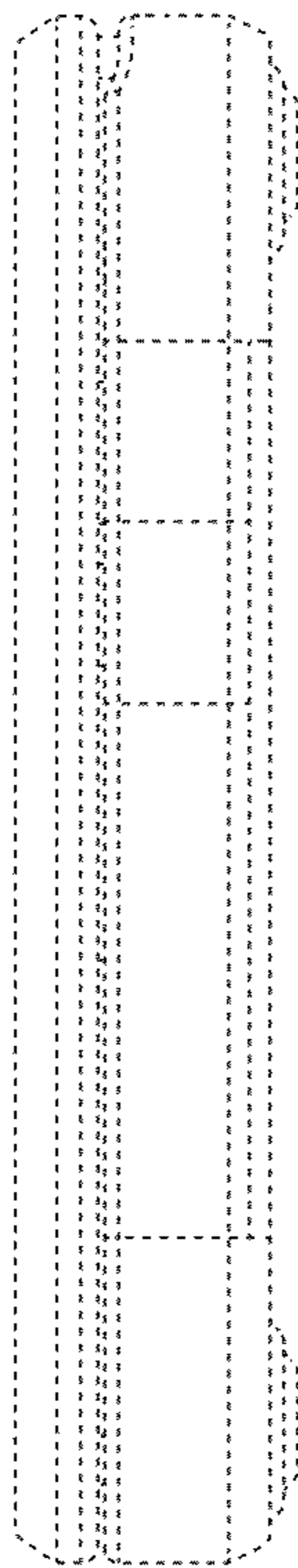


FIG.6

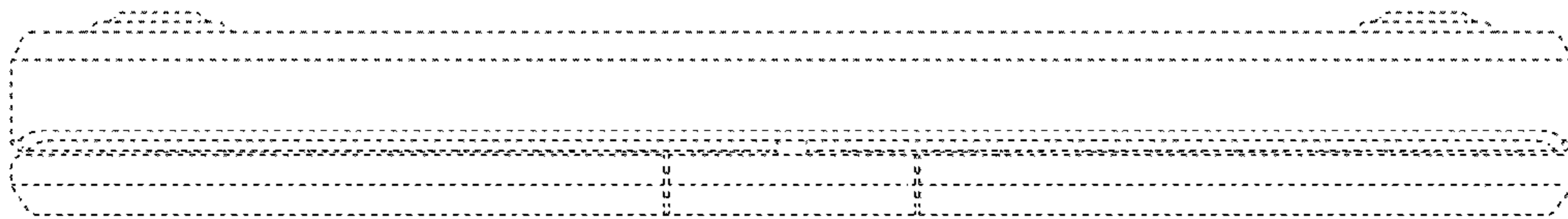


FIG.7

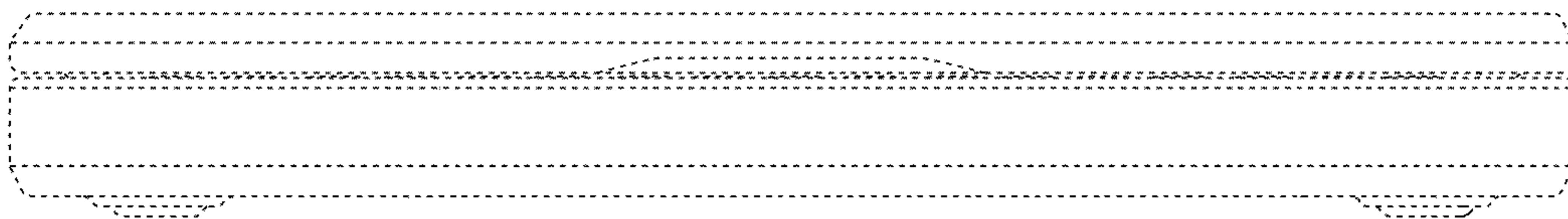


FIG.8

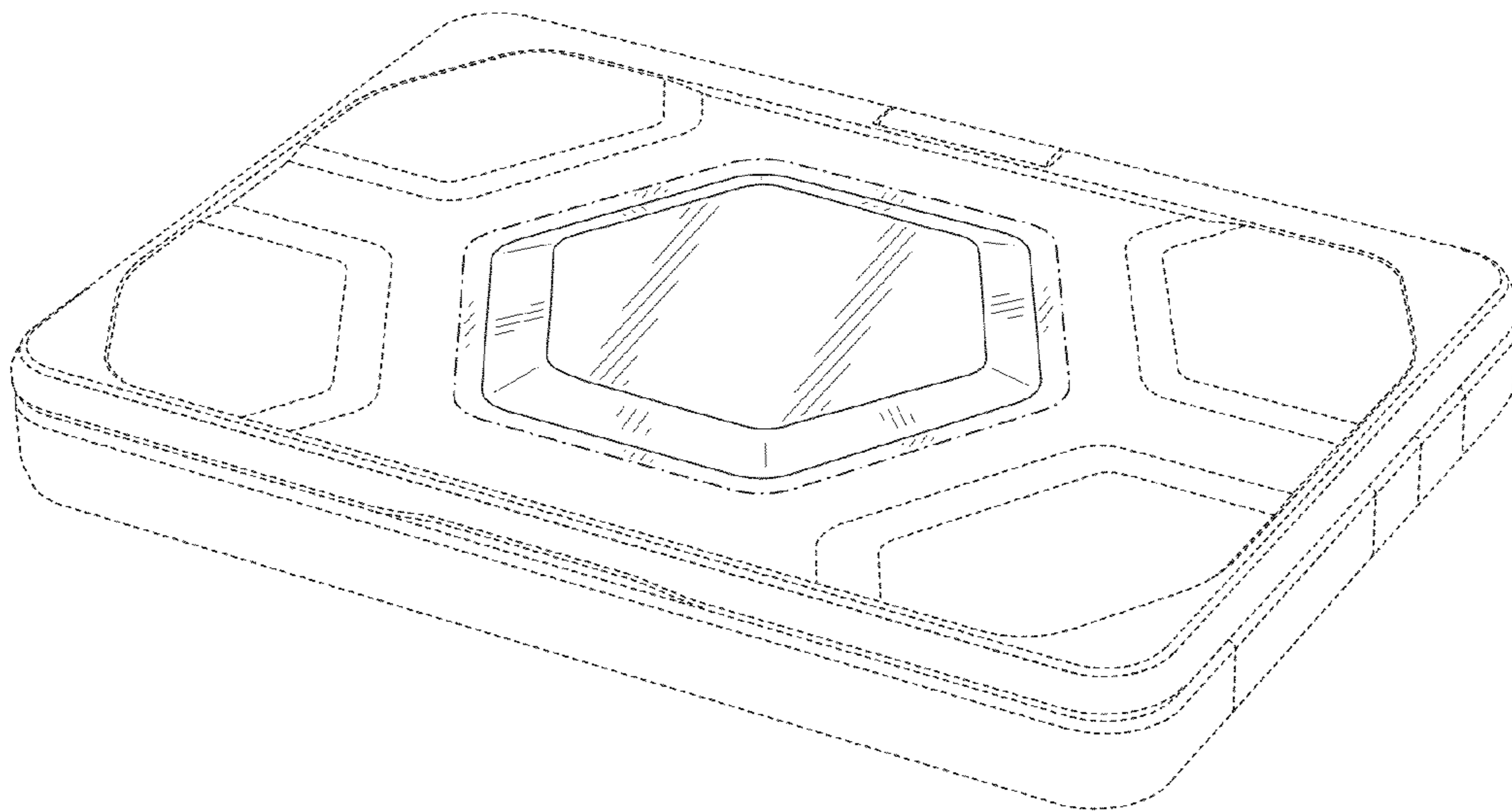


FIG.9

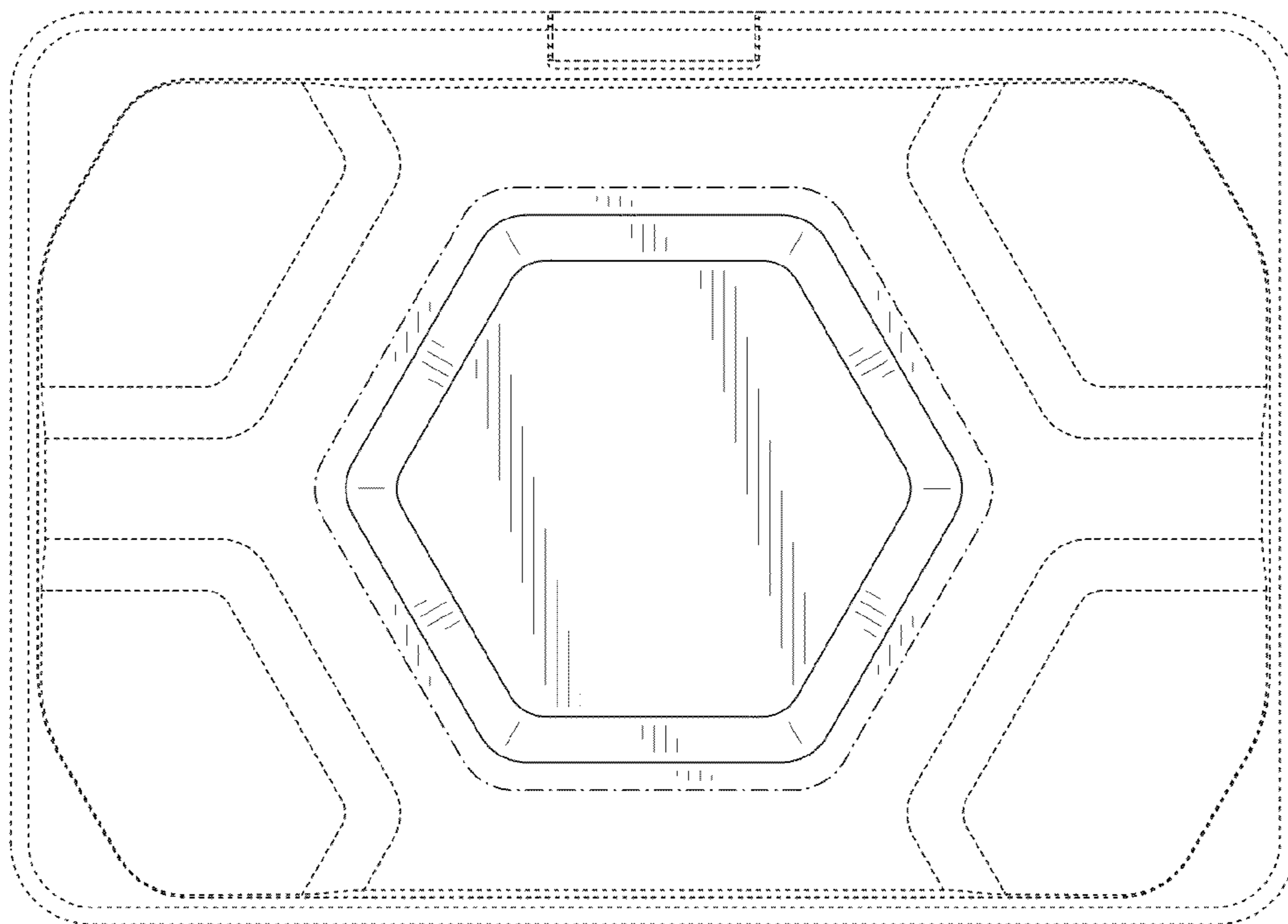


FIG.10

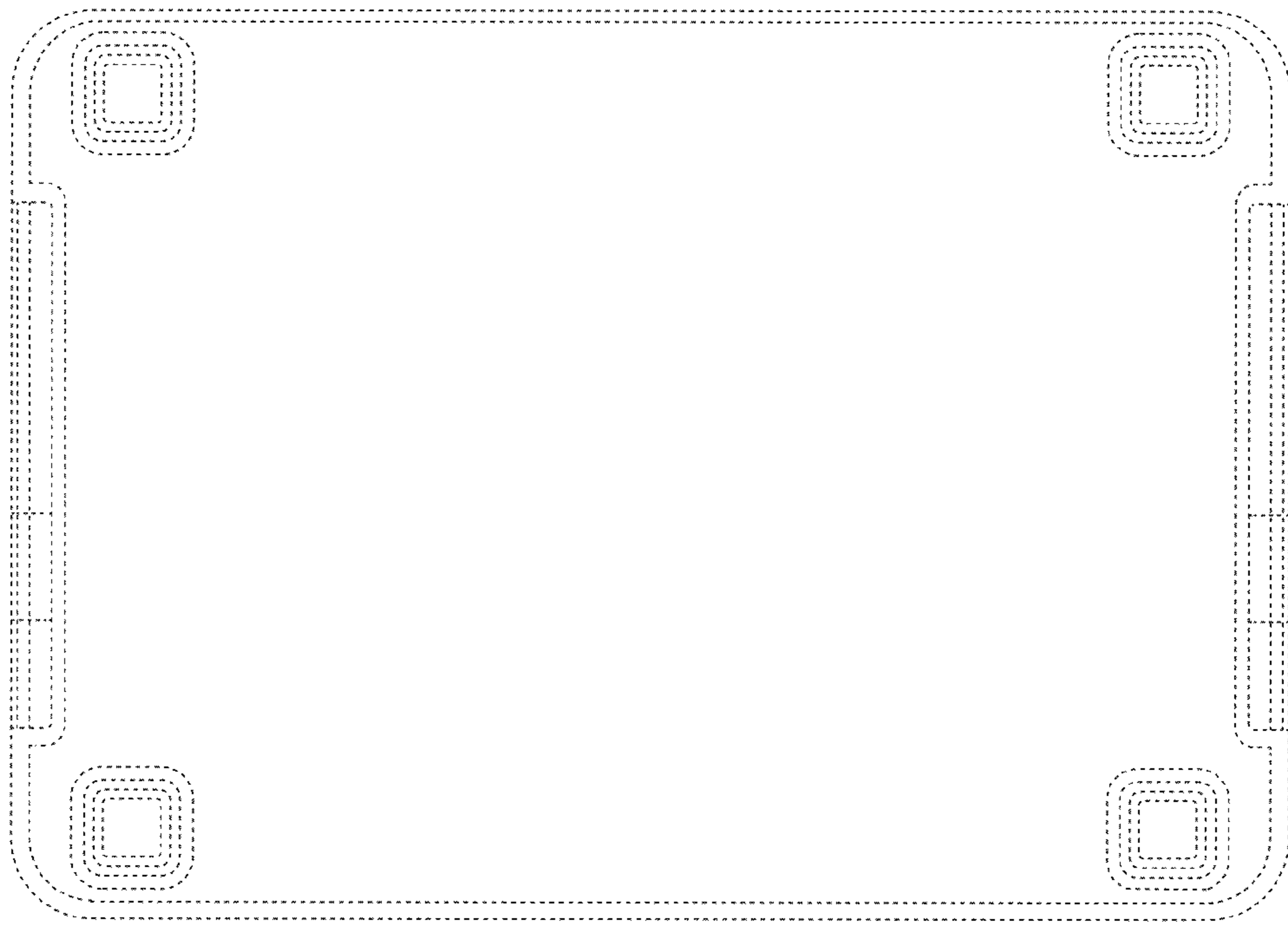


FIG. 11

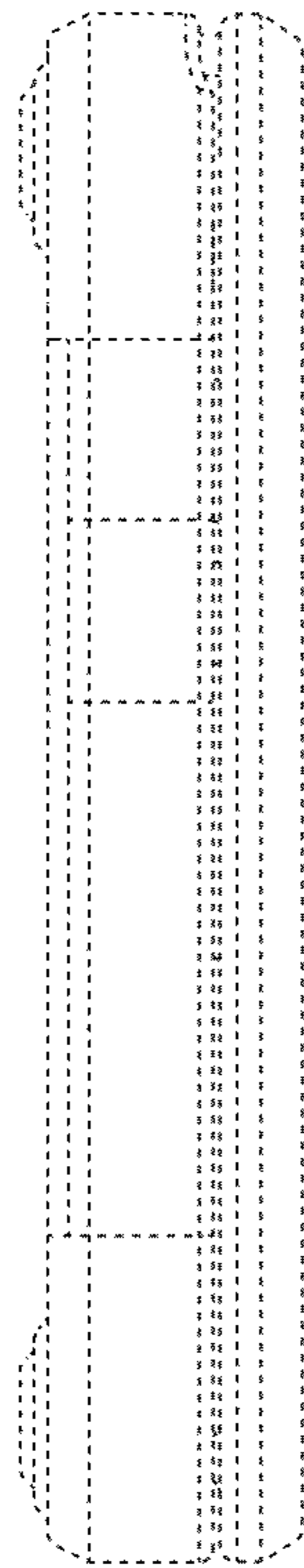


FIG.12

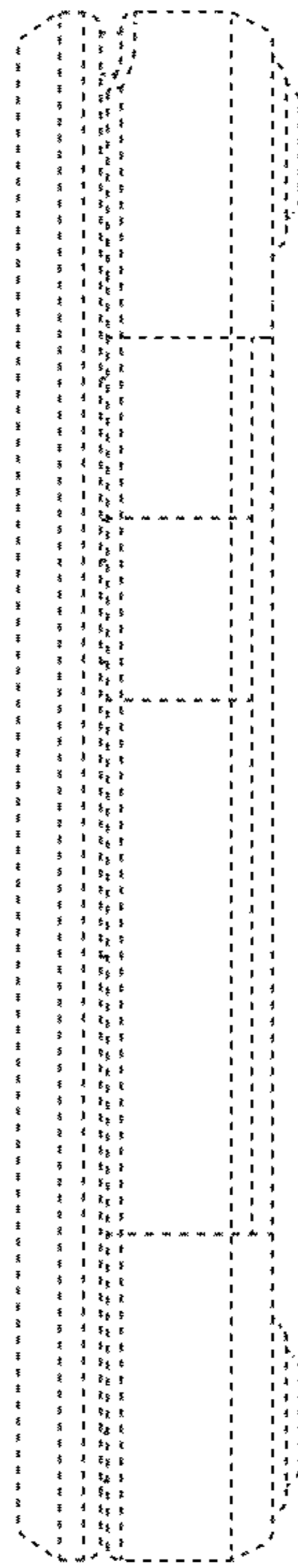


FIG. 13

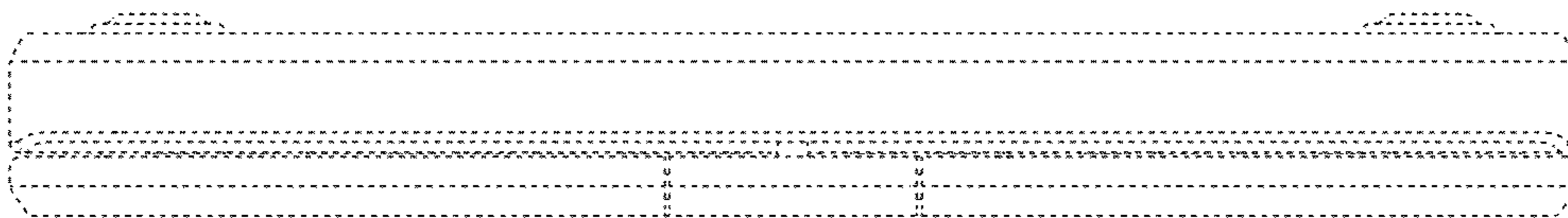


FIG. 14

