



US00D733695S

(12) **United States Design Patent**
Sun et al.

(10) **Patent No.:** **US D733,695 S**
(45) **Date of Patent:** **** Jul. 7, 2015**

(54) **CASE FOR ELECTRONIC DEVICE**

(71) Applicant: **OTTER PRODUCTS, LLC**, Fort Collins, CO (US)

(72) Inventors: **Hsaio Lu Sun**, Fort Collins, CO (US);
Jane Michie, Fort Collins, CO (US)

(73) Assignee: **OTTER PRODUCTS, LLC**, Fort Collins, CO (US)

(**) Term: **14 Years**

(21) Appl. No.: **29/458,890**

(22) Filed: **Jun. 24, 2013**

(51) **LOC (10) Cl.** **14-03**

(52) **U.S. Cl.**
USPC **D14/250**

(58) **Field of Classification Search**
USPC D14/238.1, 248, 250, 251–253, 440,
D14/447; D13/103, 107–108, 119; D3/201,
D3/218, 247, 269, 273, 301, 303; 361/220,
361/379.01, 679.01, 679.02, 679.09,
361/679.21, 679.25, 679.3, 679.4, 679.56,
361/679.57, 759, 807, 816; 379/433.11,
379/451, 455; 455/556.1, 557, 566, 575.1,
455/575.2, 575.8; 206/37, 45.2, 305, 320,
206/216; 320/108, 115; 429/96; 220/4.02;
150/165; 174/50; 235/41, 375, 462;
312/223.1; 396/535; 248/176.3, 188.8,
248/309.1, 371, 668
See application file for complete search history.

(56) **References Cited**

U.S. PATENT DOCUMENTS

D641,013 S * 7/2011 Richardson et al. D14/250
D642,170 S * 7/2011 Johnson et al. D14/250

D643,837 S * 8/2011 Smith et al. D14/250
D644,639 S * 9/2011 Weller et al. D14/250
D654,489 S * 2/2012 Weller et al. D14/250
D658,165 S * 4/2012 Freeman D14/250
D662,925 S * 7/2012 Mayberry et al. D14/250
D670,281 S * 11/2012 Corpuz et al. D14/250
D673,548 S * 1/2013 Weller et al. D14/250
D675,605 S * 2/2013 Adelman et al. D14/250
D675,606 S * 2/2013 Adelman et al. D14/250
D676,032 S * 2/2013 Stump et al. D14/250
D679,685 S * 4/2013 Cox D14/250
D681,618 S * 5/2013 Magness et al. D14/250
D681,619 S * 5/2013 Smith D14/250
D687,426 S * 8/2013 Requa D14/250
D688,233 S * 8/2013 Dong D14/250
D698,343 S * 1/2014 Chang et al. D14/250
D698,345 S * 1/2014 Chang et al. D14/250
D703,197 S * 4/2014 Melanson et al. D14/250
D703,198 S * 4/2014 Simmer D14/250
2012/0018323 A1 * 1/2012 Johnson et al. 206/320
2013/0118934 A1 * 5/2013 Green et al. 206/320

* cited by examiner

Primary Examiner — Carla Jobe Wright

(57) **CLAIM**

The ornamental design for a case for electronic device, as shown and described.

DESCRIPTION

FIG. 1 is a first rear isometric view of a case for electronic device showing our new design; FIG. 2 is a rear view thereof; and, FIG. 3 is a second rear isometric view thereof. In the drawings, the broken lines depict unclaimed portions of the case for electronic device and form no part of the claimed design.

1 Claim, 3 Drawing Sheets



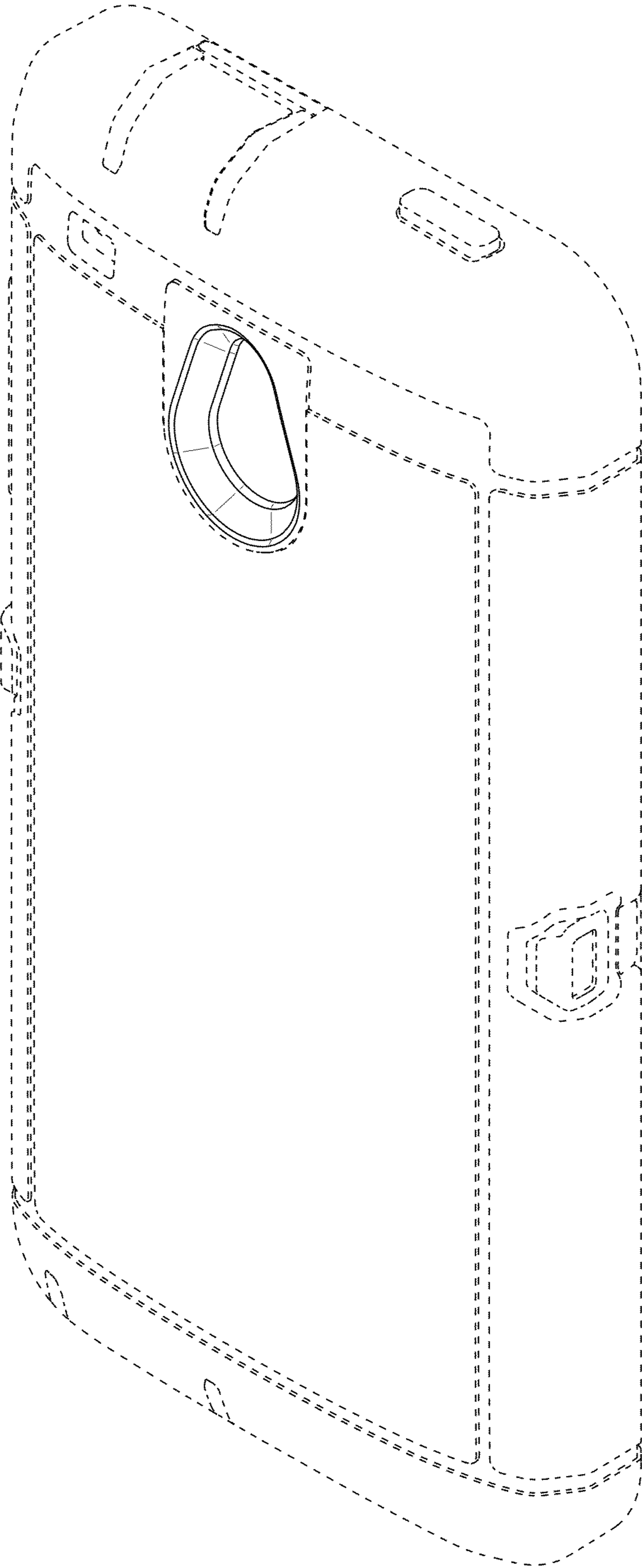


FIG. 1

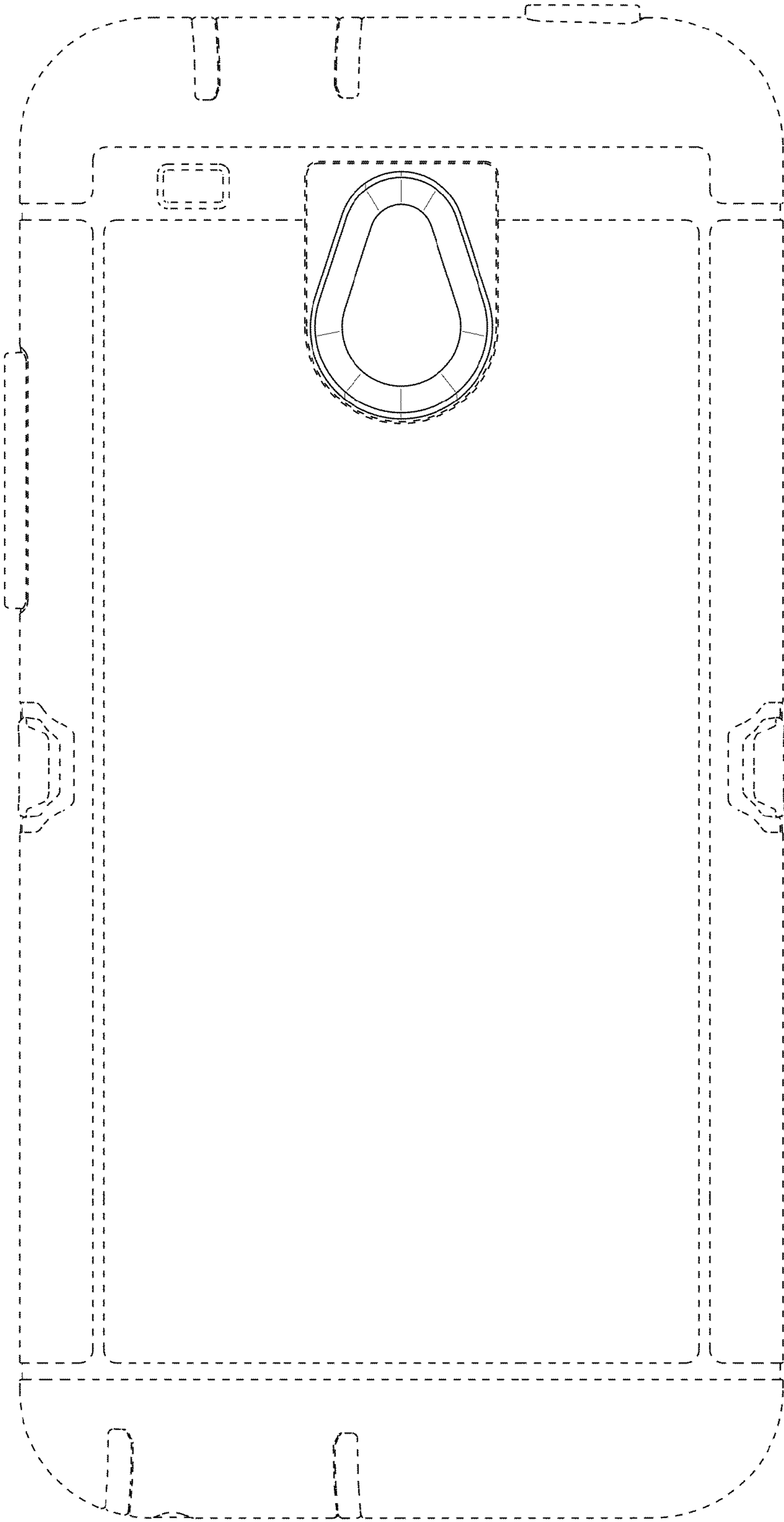


FIG. 2

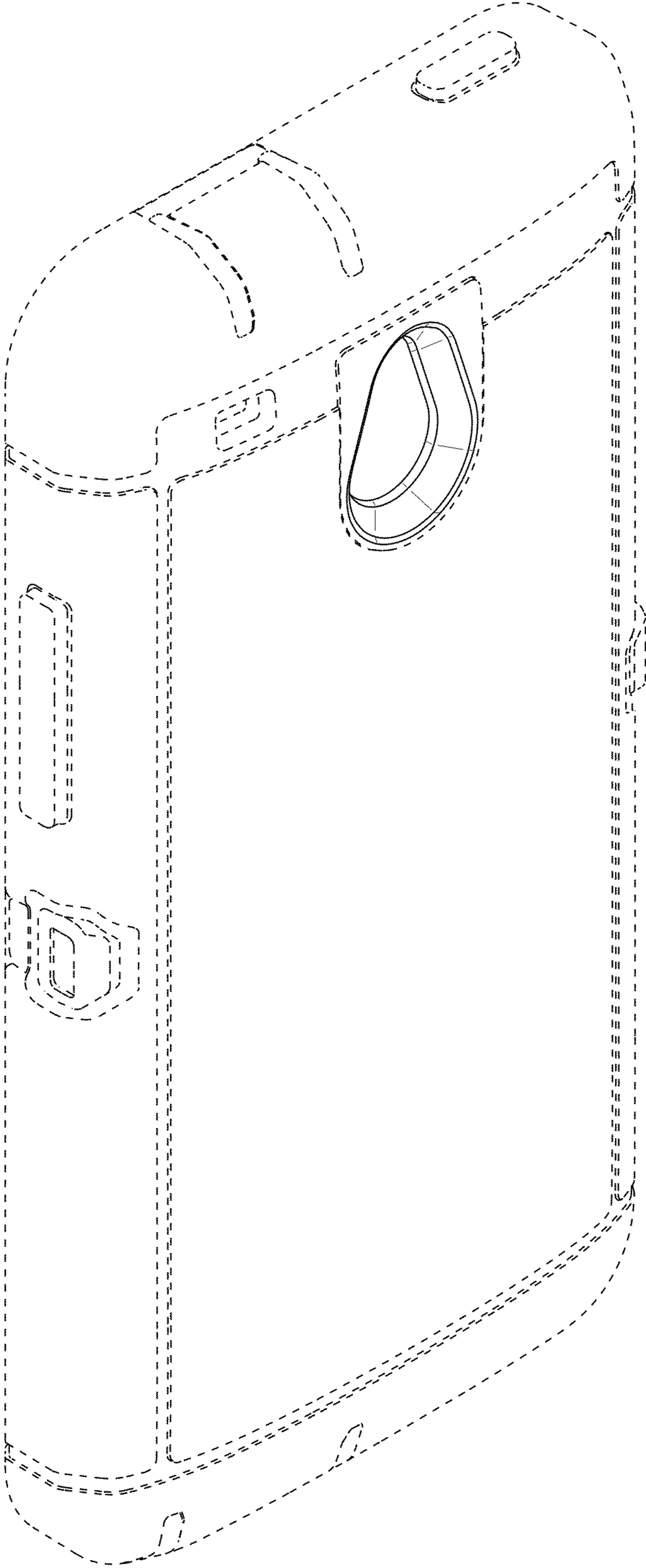


FIG. 3