



US00D733694S

(12) **United States Design Patent**  
**Kim**

(10) **Patent No.:** **US D733,694 S**  
(45) **Date of Patent:** **\*\* Jul. 7, 2015**

(54) **CASE FOR ELECTRONIC DEVICE**

(71) Applicant: **Samsung Electronics Co., Ltd.**,  
Suwon-si, Gyeonggi-do (KR)

(72) Inventor: **Yoon-Young Kim**, Seongnam-Si (KR)

(73) Assignee: **Samsung Electronics Co., Ltd.**,  
Suwon-si (KR)

(\*) Notice: This patent is subject to a terminal disclaimer.

(\*\*) Term: **14 Years**

(21) Appl. No.: **29/448,715**

(22) Filed: **Mar. 13, 2013**

(51) **LOC (10) Cl.** ..... **14-03**

(52) **U.S. Cl.**  
USPC ..... **D14/250**

(58) **Field of Classification Search**

USPC ..... D14/238.1, 248, 250, 251–253, 440,  
D14/447; D13/103, 107–108, 119; D3/201,  
D3/218, 247, 269, 273, 301, 303; 361/220,  
361/379.01, 679.01, 679.02, 679.09,  
361/679.21, 679.25, 679.3, 679.4, 679.56,  
361/679.57, 759, 807, 816; 379/433.11,  
379/451, 455; 455/556.1, 557, 566, 575.1,  
455/575.2, 575.8; 206/37, 45.2, 305, 320,  
206/216; 320/108, 115; 429/96; 220/4.02;  
150/165; 174/50; 235/41, 375, 462;  
312/223.1; 396/535; 248/176.3, 188.8,  
248/309.1, 371, 668

See application file for complete search history.

(56) **References Cited**

**U.S. PATENT DOCUMENTS**

D453,728 S \* 2/2002 Hassett ..... D12/417  
D487,050 S \* 2/2004 Hassett ..... D12/417  
6,758,335 B2 \* 7/2004 Kajiya ..... 206/320  
D550,961 S \* 9/2007 Eskandry ..... D3/303  
D641,348 S \* 7/2011 Kim et al. .... D14/250  
D652,829 S \* 1/2012 Kim et al. .... D14/250

D657,354 S \* 4/2012 Kim ..... D14/250  
D685,799 S \* 7/2013 Canizares et al. .... D14/440  
D685,800 S \* 7/2013 Canizares et al. .... D14/440  
D685,801 S \* 7/2013 Canizares et al. .... D14/440  
D685,802 S \* 7/2013 Canizares et al. .... D14/440  
D700,599 S \* 3/2014 Kim ..... D14/250  
D702,673 S \* 4/2014 Murchison et al. .... D14/250  
D705,207 S \* 5/2014 Kim et al. .... D14/250  
D705,783 S \* 5/2014 Weng ..... D14/440  
D707,219 S \* 6/2014 Kim ..... D14/250  
D710,607 S \* 8/2014 Kim ..... D3/269  
D710,838 S \* 8/2014 Song ..... D14/250  
2011/0273819 A1 \* 11/2011 Sokola et al. .... 361/679.01

**FOREIGN PATENT DOCUMENTS**

EP 2408176 A1 \* 1/2012 ..... H04M 1/04

\* cited by examiner

*Primary Examiner* — Carla Jobe Wright

(74) *Attorney, Agent, or Firm* — NSIP Law

(57) **CLAIM**

I claim the ornamental design for a case for electronic device, as shown and described.

**DESCRIPTION**

FIG. 1 is a perspective view of a case for electronic device showing my new design with the case for electronic device in an open position;

FIG. 2 is a front view thereof;

FIG. 3 is a rear view thereof;

FIG. 4 is a left-side view thereof;

FIG. 5 is a right-side view thereof;

FIG. 6 is a top plan view thereof;

FIG. 7 is a bottom plan view thereof;

FIG. 8 is a rear perspective view thereof;

FIG. 9 is a bottom perspective view thereof; and,

FIG. 10 is a perspective view thereof showing the case for electronic device in a closed position.

The broken lines immediately adjacent the shaded surfaces represent boundaries of the claimed design. All other broken lines depict unclaimed environment. The broken lines form no part of the claimed design .

**1 Claim, 10 Drawing Sheets**

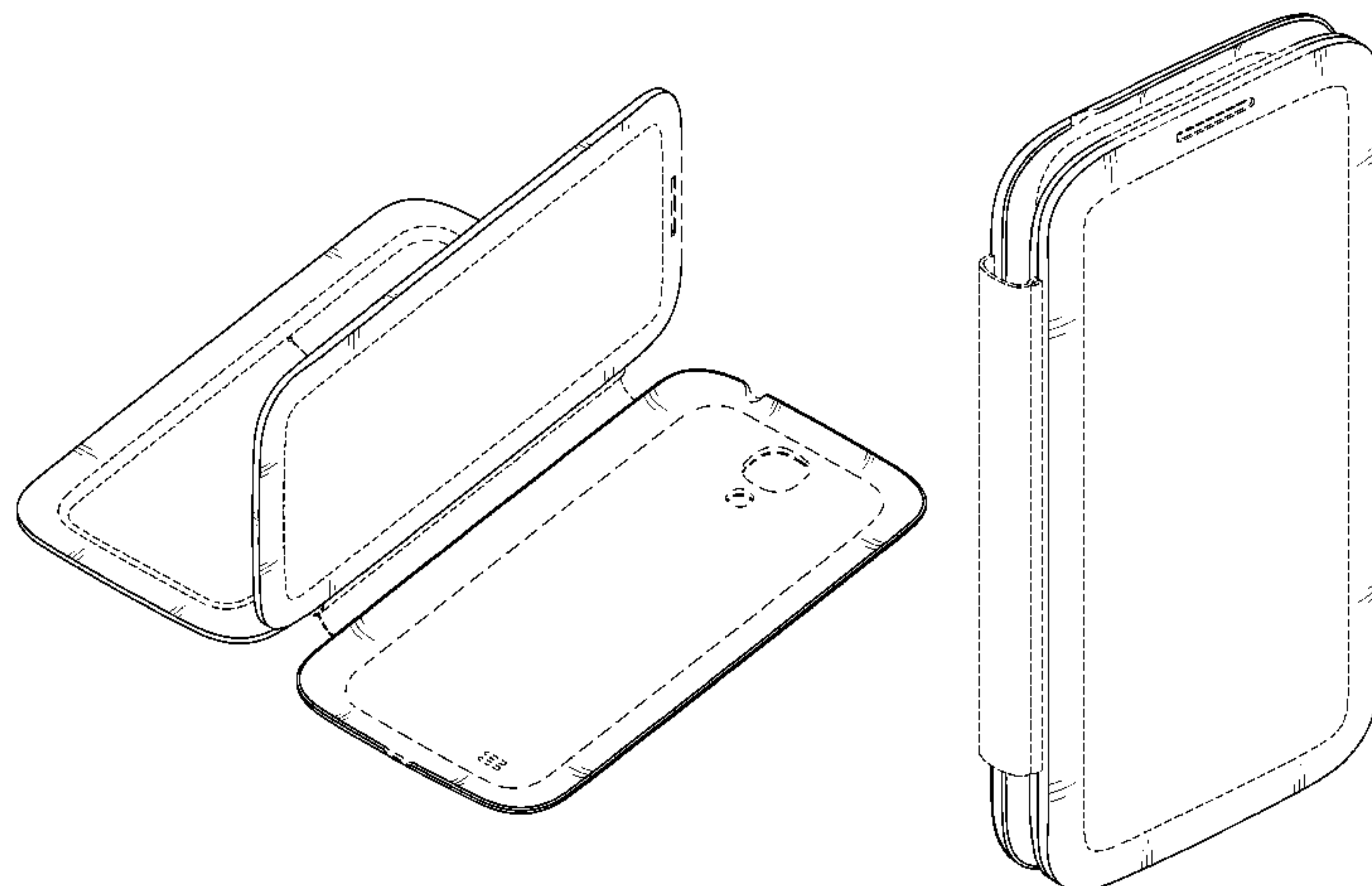


FIG. 1

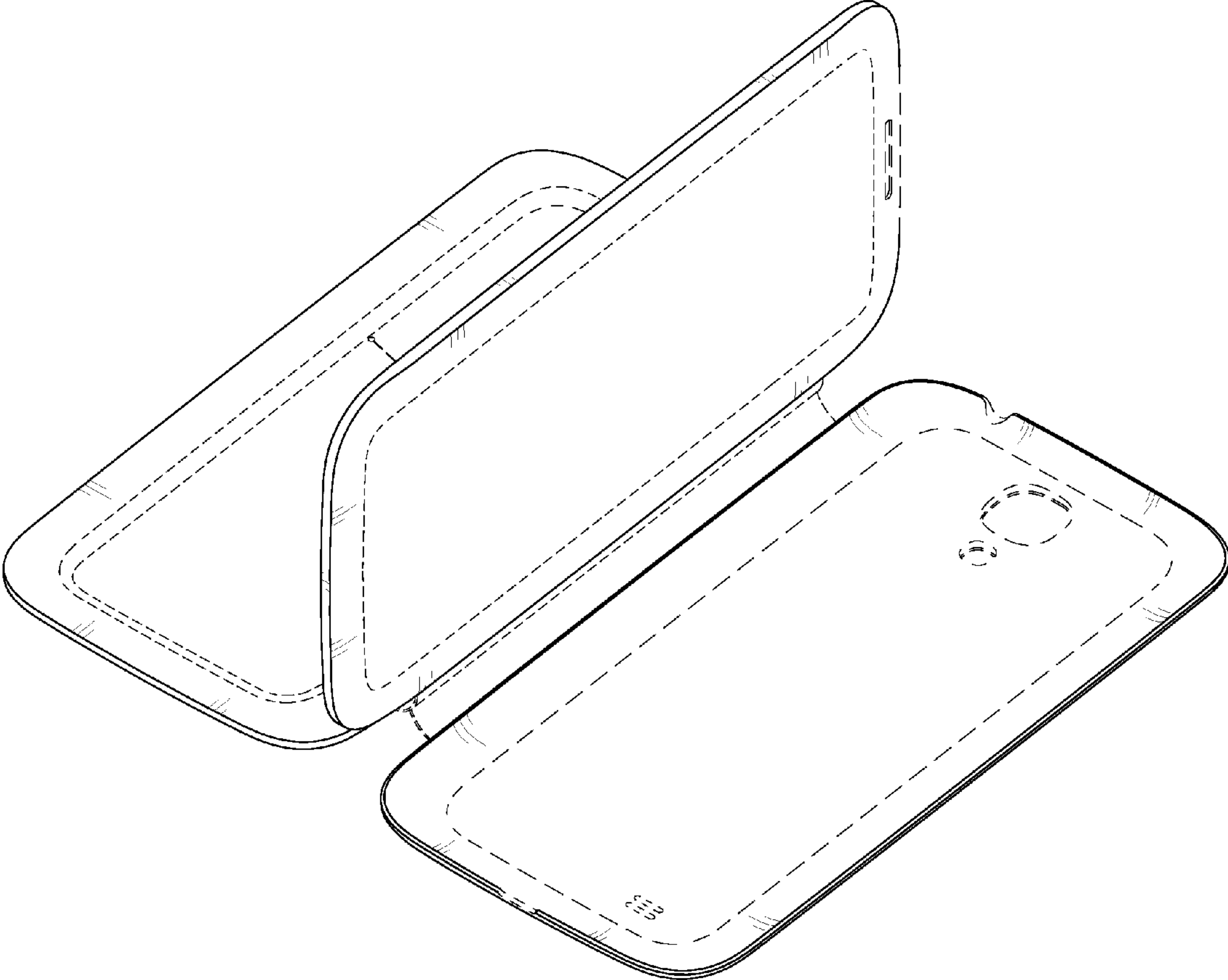


FIG. 2

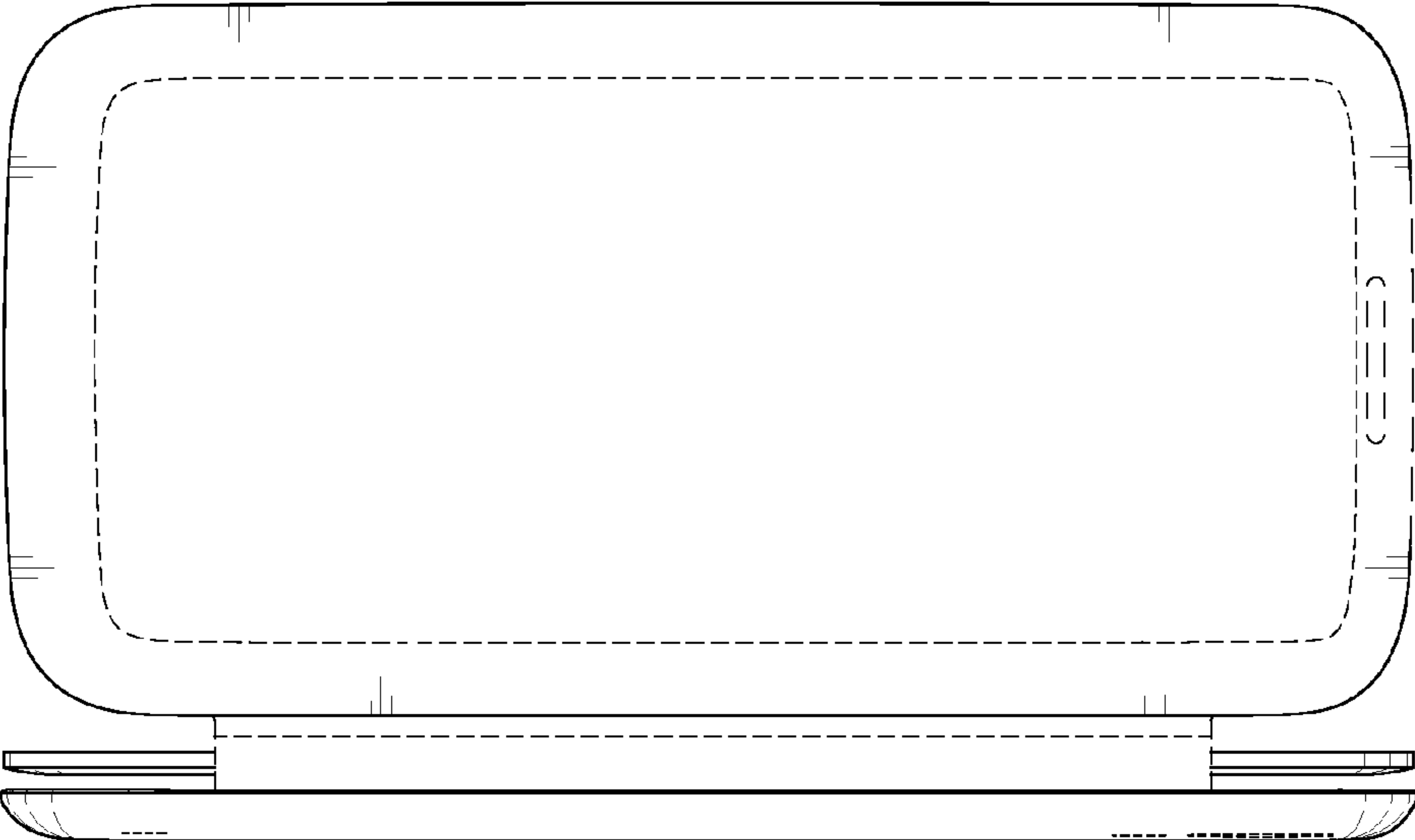


FIG. 3

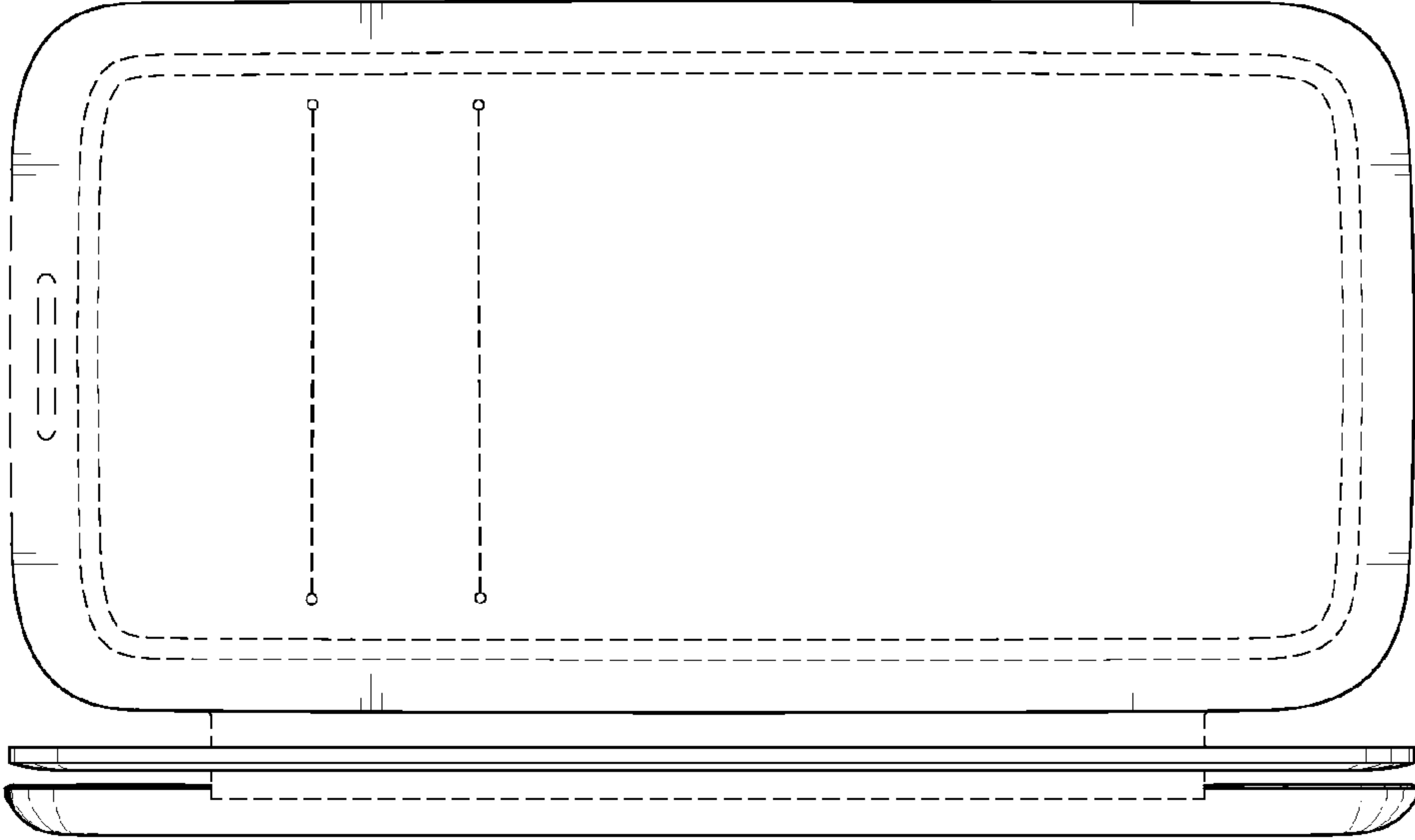


FIG. 4

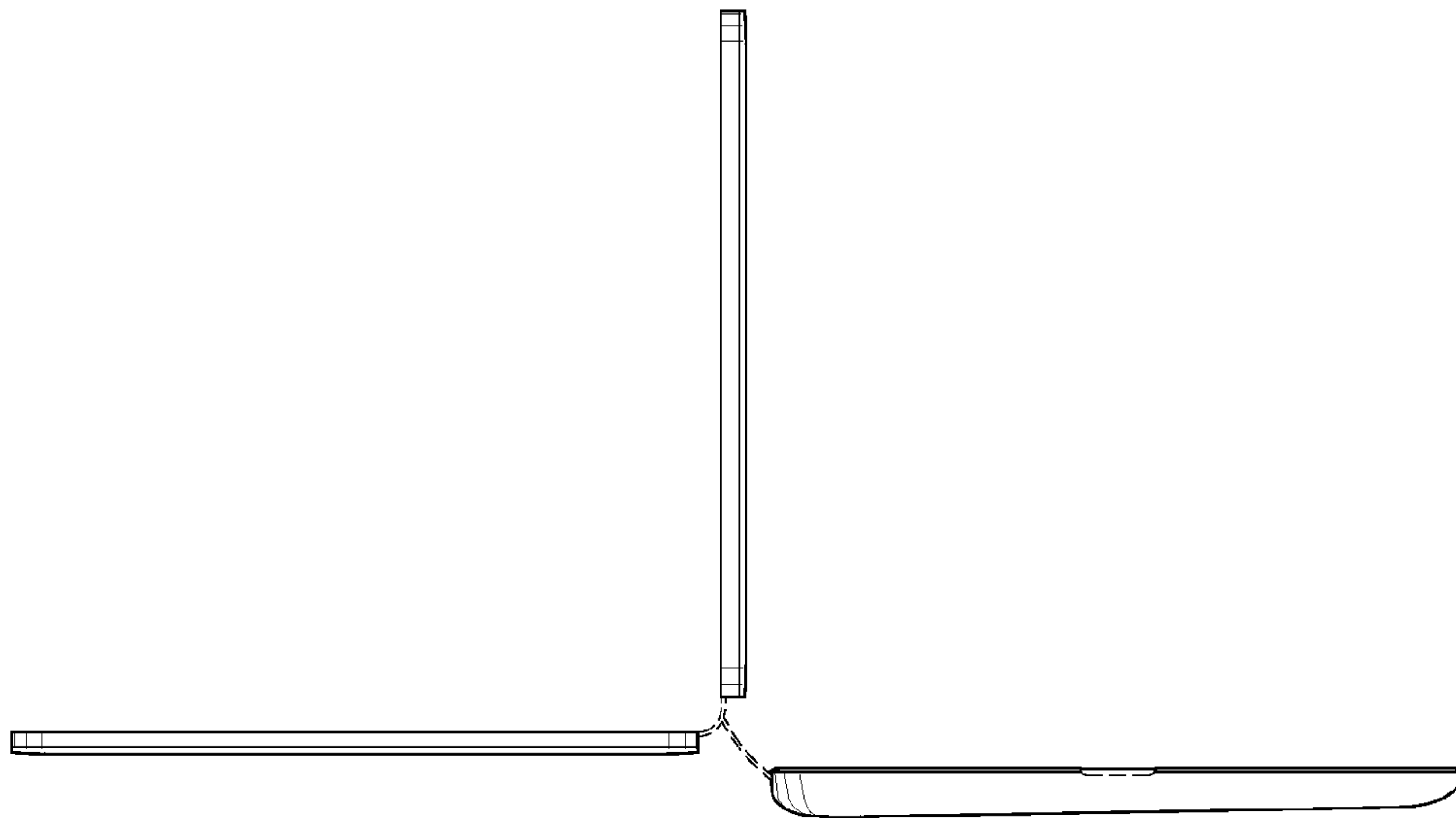


FIG. 5

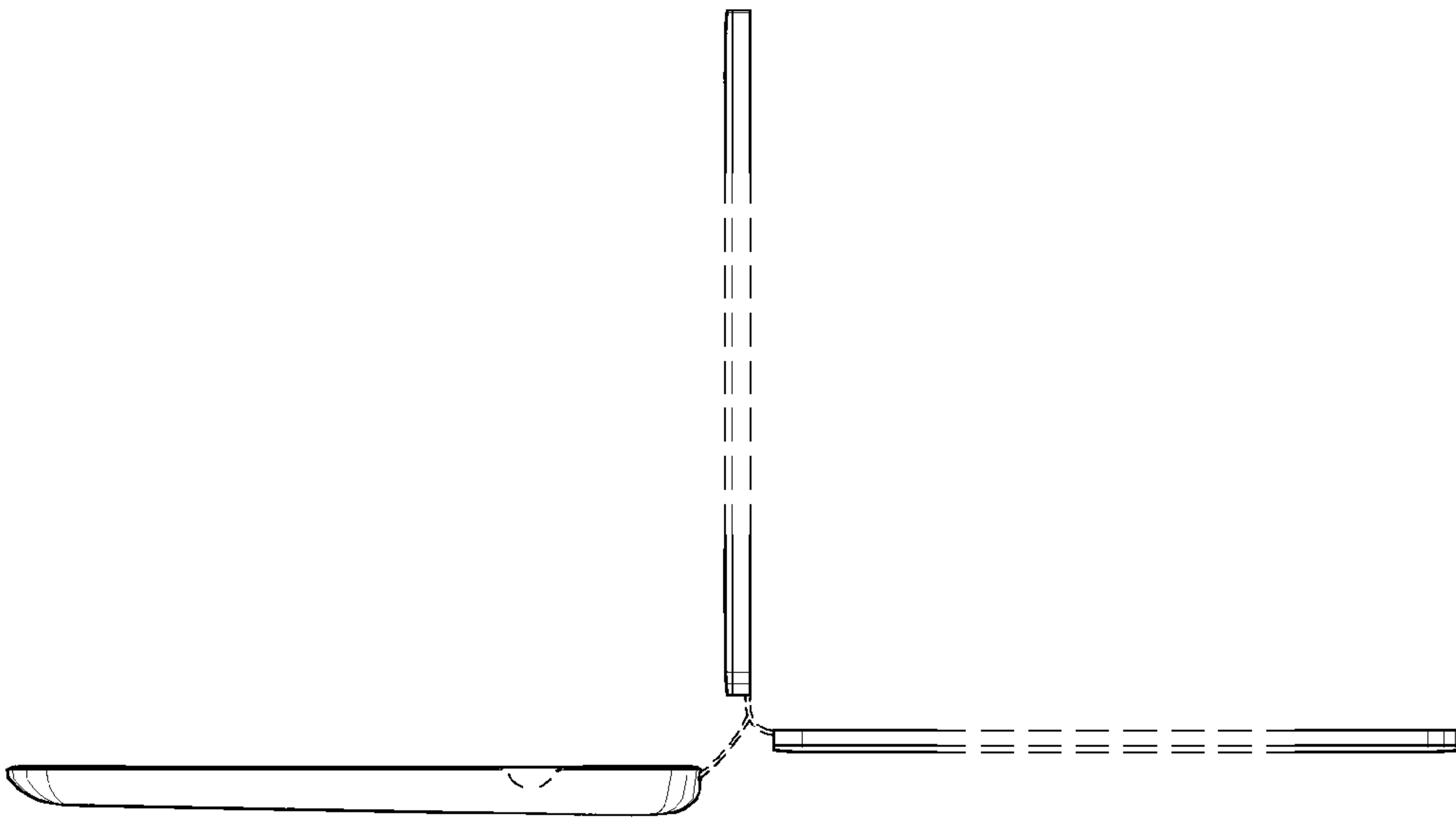


FIG. 6

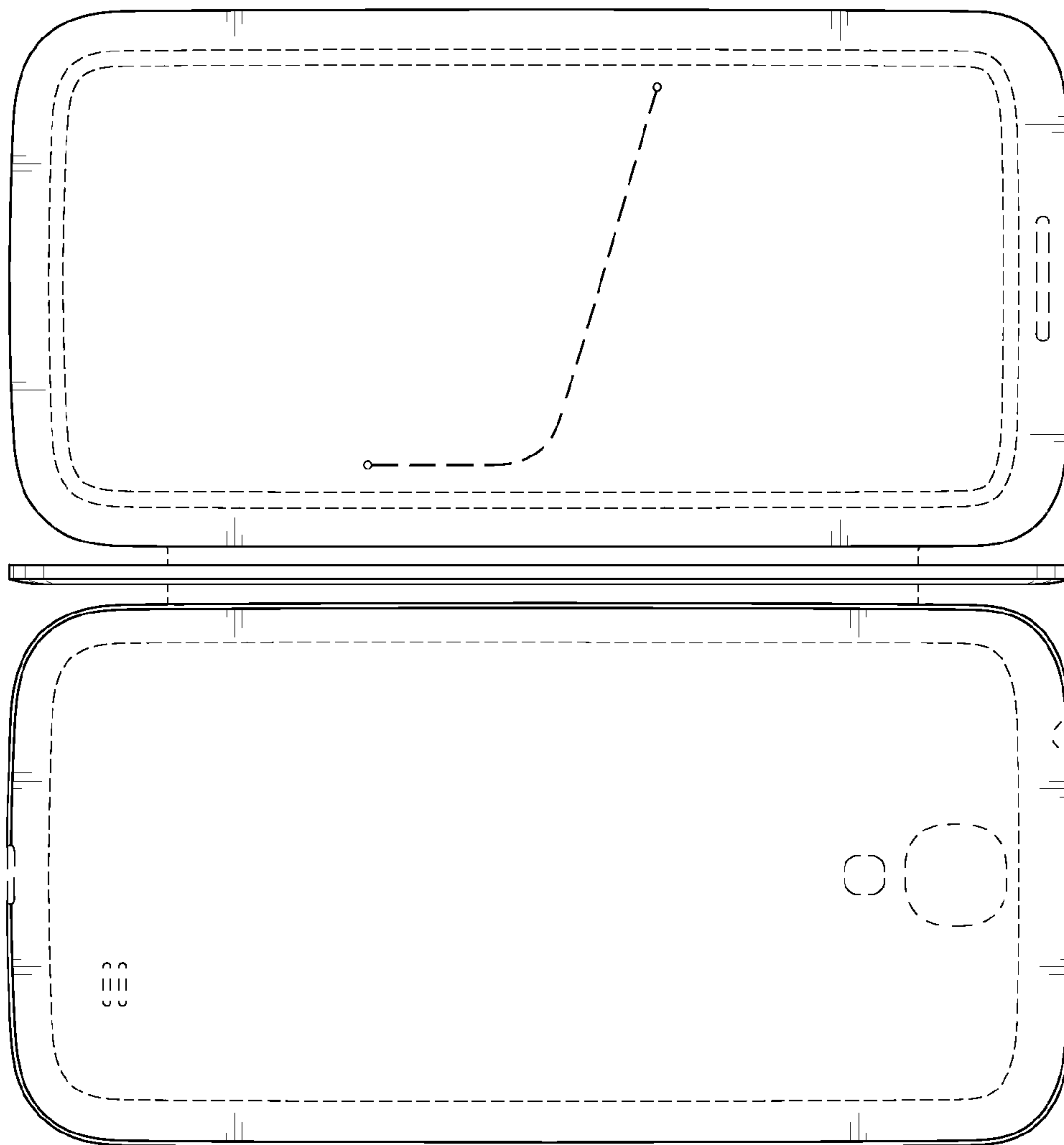


FIG. 7

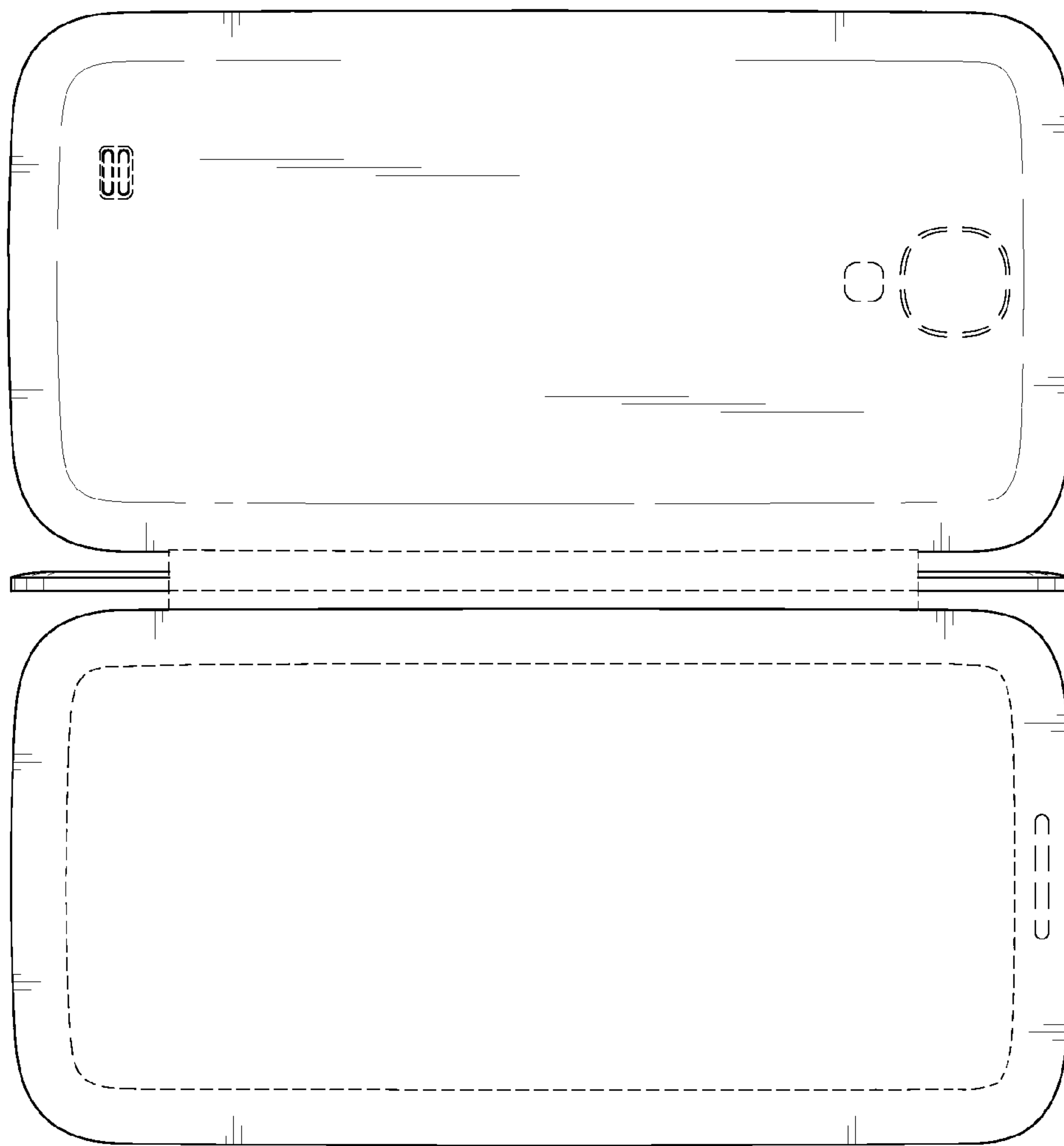




FIG. 8

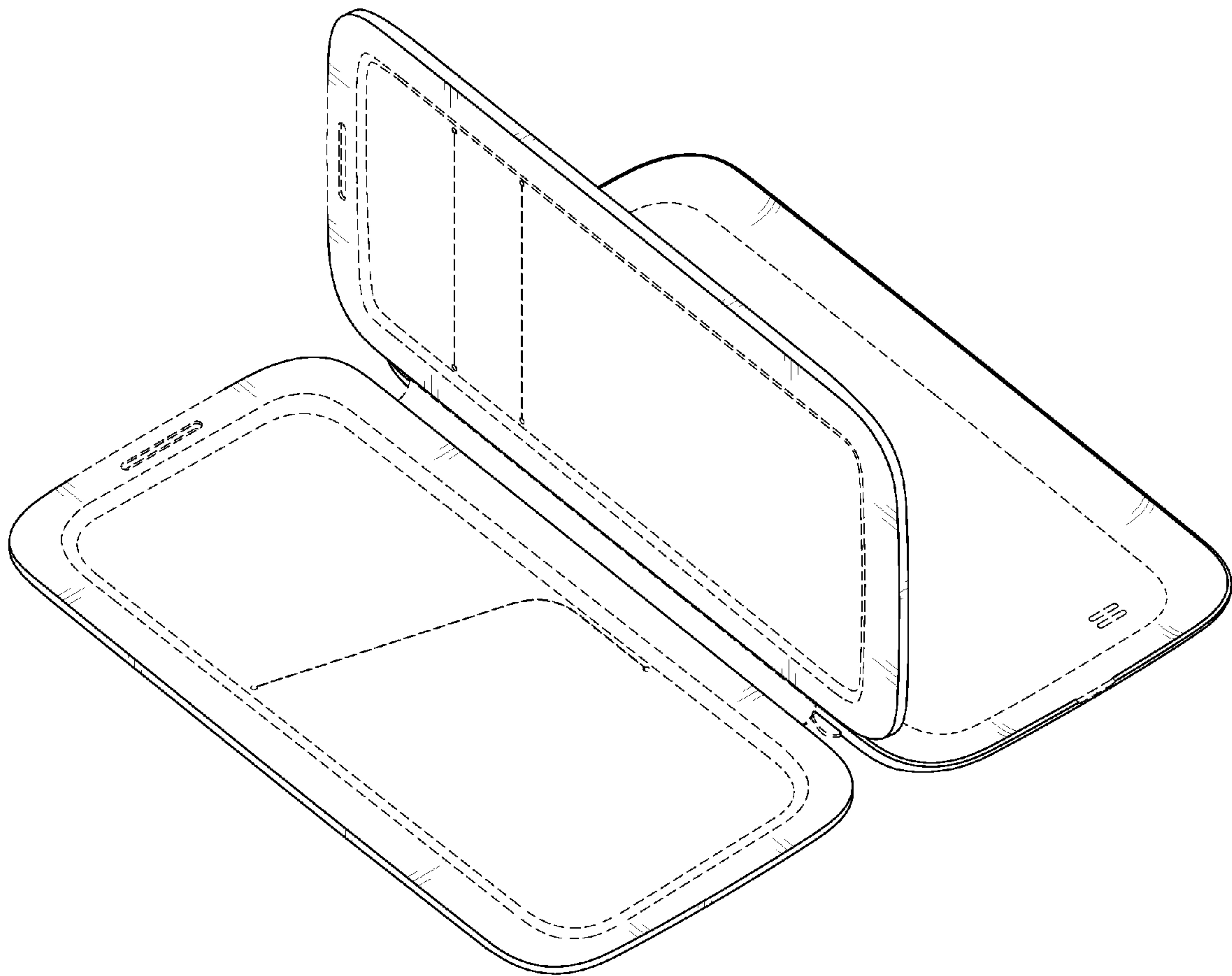


FIG. 9

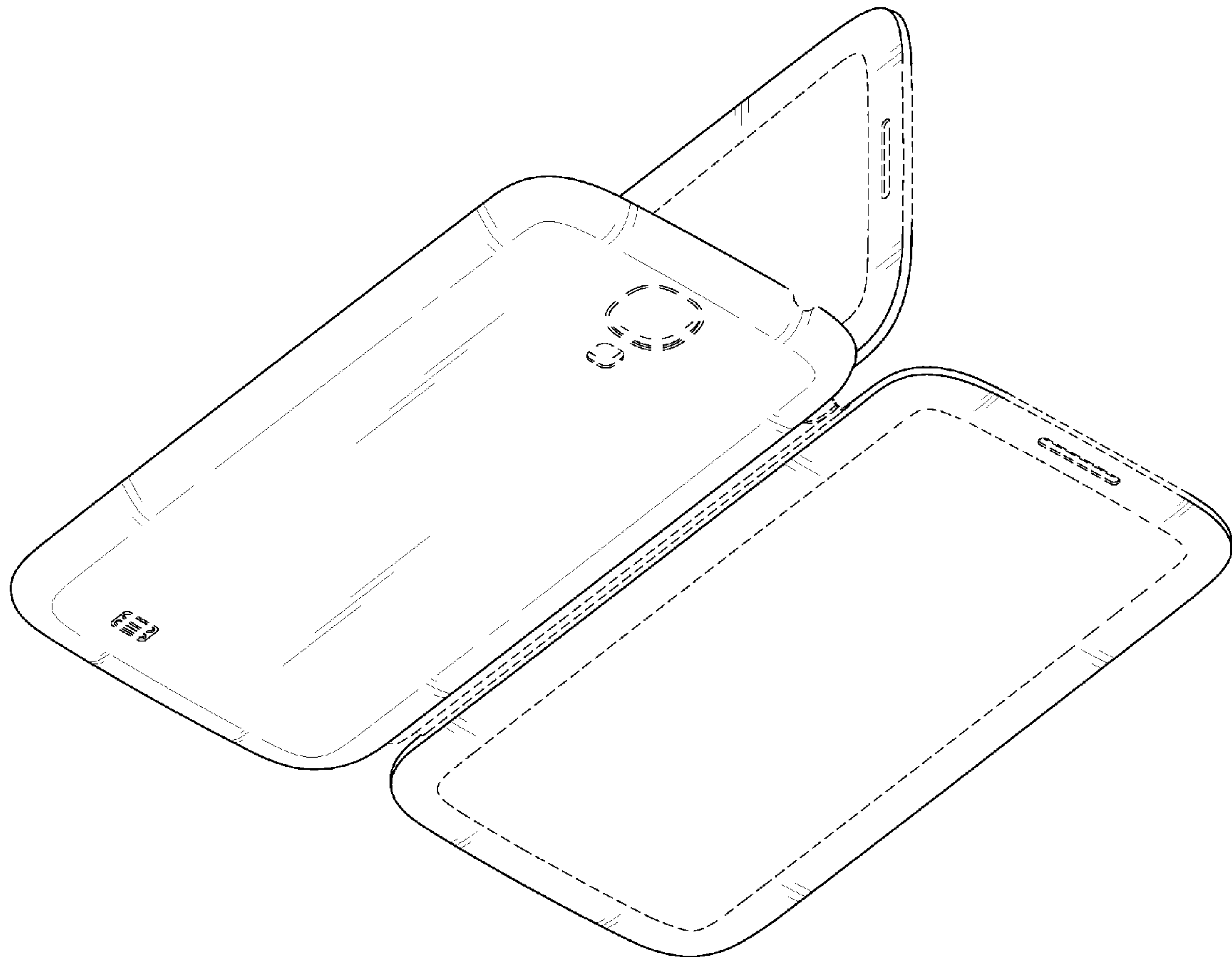


FIG. 10

