



US00D733691S

(12) **United States Design Patent**  
**Wengreen**

(10) **Patent No.:** **US D733,691 S**

(45) **Date of Patent:** **\*\* Jul. 7, 2015**

(54) **MOUNT FOR ELECTRONIC DEVICES**

(71) Applicant: **Innovelis, Inc.**, Sammamish, WA (US)

(72) Inventor: **Eric John Wengreen**, Sammamish, WA (US)

(73) Assignee: **Innovelis, Inc.**, Sammamish, WA (US)

(\*\*) Term: **14 Years**

(21) Appl. No.: **29/484,244**

(22) Filed: **Mar. 7, 2014**

(51) **LOC (10) Cl.** ..... **14-03**

(52) **U.S. Cl.**  
USPC ..... **D14/239**

(58) **Field of Classification Search**

USPC ..... D14/217, 125, 126, 239; D8/363, 373  
CPC ..... A47F 7/02; A47F 5/103; A47F 5/0006;  
A47F 5/0018; A47F 5/02; A47F 5/04; A47F  
5/0043; A47F 5/10; A47F 7/00; A47F 7/03;  
A47F 7/146; A47F 2005/0075; A47F  
2010/005; A47F 3/004; A47F 3/10; A47F  
5/00; A47F 5/06; A47F 5/0807; A47F 5/0838;  
A47F 5/0853; A47F 5/0861; A47F 5/0876;  
A47F 5/106; A47F 5/108; A47F 5/13; A47F  
5/132; A47F 5/16; A47F 74/024; A47F 7/08;  
A47F 7/14; A47F 7/144; A47F 7/147; A47F  
7/148; A47F 7/24; A47B 81/06; A47B  
81/064; A47B 47/05; A47B 67/04; A47B  
81/00; A47B 81/062; A47B 2021/0076;  
A47B 21/0073; A47B 2200/0038; A47B  
2200/0068; A47B 2200/069; A47B  
2220/0013; A47B 2220/0077; A47B  
2220/0094; A47B 2200/0076; A47B  
2200/0085; A47B 2200/009; A47B 2200/05;  
A47B 2200/08; A47B 2200/06; A47B  
2230/15; A47B 23/001; A47B 23/043; A47B  
25/00; A47B 3/0803; A47B 3/0809; H04N  
5/64; H04N 5/655; H04N 21/47214; H04N  
5/642; H04N 5/645

See application file for complete search history.

(56) **References Cited**

U.S. PATENT DOCUMENTS

1,618,573 A 2/1927 Cole  
2,584,646 A 2/1952 Wagstaff  
3,091,378 A 5/1963 O'Dwyer  
3,176,950 A 4/1965 Hittesdorf  
3,279,009 A 10/1966 Teasdale

(Continued)

OTHER PUBLICATIONS

Design U.S. Appl. No. 29/485,889, filed Mar. 24, 2014; entitled Mount for Digital Media Players.

(Continued)

*Primary Examiner* — Daniel Bui

*Assistant Examiner* — Khawaja Anwar

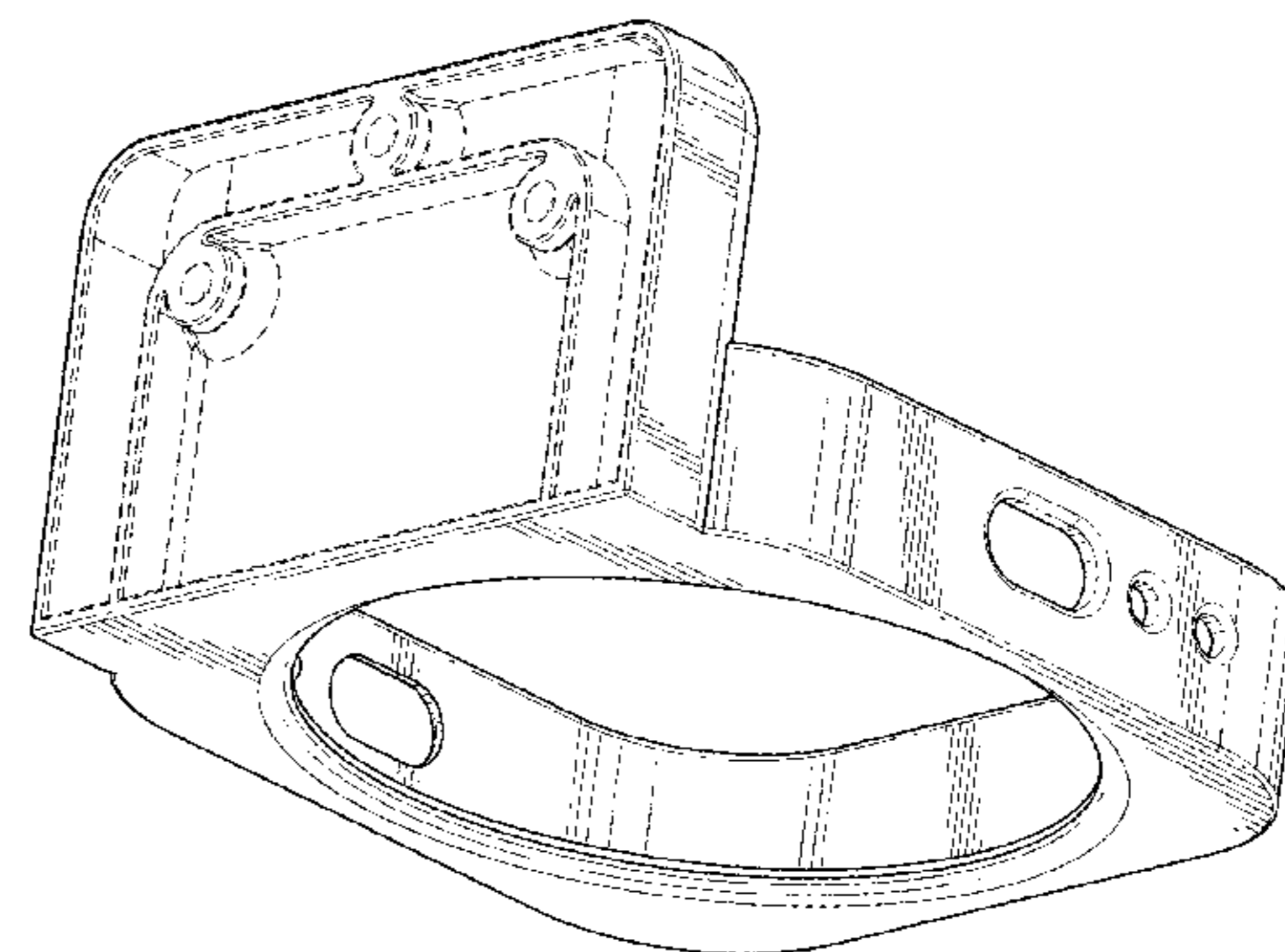
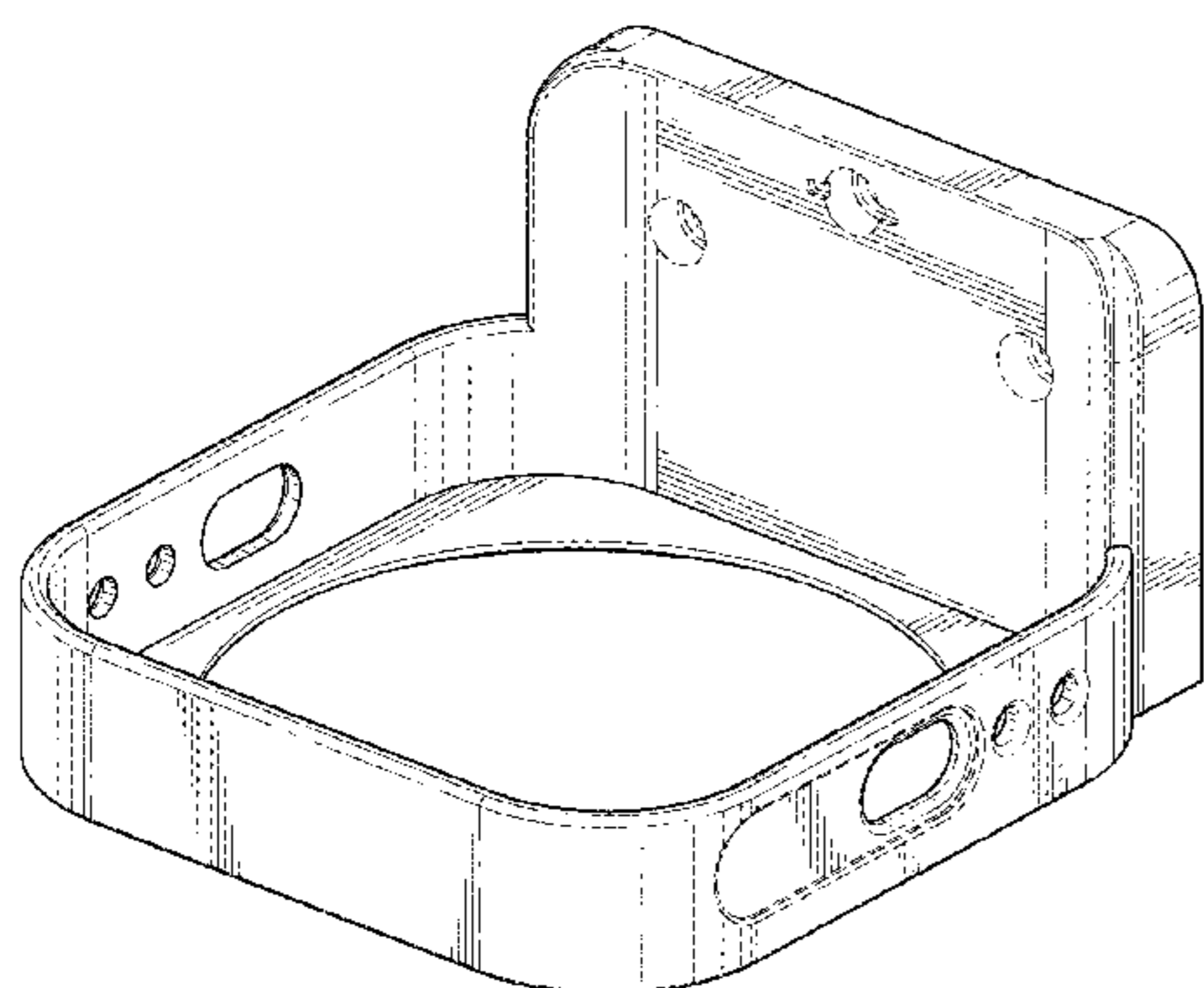
(57) **CLAIM**

The ornamental design for a mount for electronic devices, as shown and described.

**DESCRIPTION**

FIG. 1 is a front, side and top perspective view of a mount for electronic devices, showing my new design;  
FIG. 2 is a back, side, and bottom perspective view thereof;  
FIG. 3 is a front elevation view thereof;  
FIG. 4 is a back elevation view thereof;  
FIG. 5 is a top plan view thereof;  
FIG. 6 is a bottom plan view thereof;  
FIG. 7 is a first side elevation view thereof; and,  
FIG. 8 is a second side elevation view thereof.  
Areas surrounded by broken lines in FIGS. 3 and 4 are not part of the claimed design.  
Areas shown with surface shading/contours are part of the claimed design.  
The broken line in the figure drawings represents unclaimed environment only and forms no part of the claimed design.  
The dot-dash lines form an unclaimed boundary of the claim.

**1 Claim, 4 Drawing Sheets**





(56)

References Cited

U.S. PATENT DOCUMENTS

3,294,298	A	12/1966	Danielson	
3,990,617	A	11/1976	Carter	
4,602,761	A	7/1986	Carter	
4,746,042	A	5/1988	King	
4,771,927	A	9/1988	Ventura	
4,826,115	A	5/1989	Novitski	
4,840,773	A	6/1989	Wade	
4,852,843	A	8/1989	Chandler	
4,974,764	A	12/1990	Cantwell	
5,038,985	A	8/1991	Chapin	
5,092,395	A	3/1992	Amidzich	
5,273,690	A	12/1993	McDowell	
5,297,318	A	3/1994	Adolphson	
D351,341	S	10/1994	Hung	
5,400,990	A	3/1995	Frankel	
5,535,093	A	7/1996	Noguchi	
5,593,124	A	1/1997	Wang	
5,619,395	A	4/1997	McBride	
5,619,774	A	4/1997	Perry	
D388,107	S	12/1997	Huckins	
5,850,998	A	12/1998	Parsey	
5,899,371	A	5/1999	Weliver	
5,914,707	A	6/1999	Kono	
5,961,083	A	10/1999	Hartmann	
5,979,724	A	11/1999	Loewenthal	
6,102,660	A	8/2000	Lee	
6,105,923	A	8/2000	Robertson	
D443,493	S	6/2001	Skeem	
6,275,885	B1	8/2001	Chin	
6,336,615	B1	1/2002	Jeon	
D456,413	S	4/2002	Malson	
6,560,983	B1	5/2003	Schimmeyer	
6,691,374	B2	2/2004	Coyne	
6,888,940	B1	5/2005	Deppen	
6,939,641	B2	9/2005	Kincaid	
7,079,384	B2	7/2006	Wang	
7,113,218	B2	9/2006	Battles	
7,145,603	B2	12/2006	Whitby	
D535,826	S	1/2007	Toghanian	
7,222,762	B2	5/2007	Rees	
D545,343	S	6/2007	Braun	
D560,411	S	1/2008	Chung	
D565,399	S	4/2008	Grey	
7,367,089	B2	5/2008	Cooke	
D570,801	S	6/2008	Allen	
D598,945	S	8/2009	Gillespie	
7,580,255	B2	8/2009	Crooijmans	
D603,840	S *	11/2009	Lee et al. ....	D14/217
D624,949	S	10/2010	Nakayama	
D625,729	S	10/2010	McNames	
7,854,420	B2	12/2010	Depay	
D633,503	S	3/2011	Bo	
D657,362	S	4/2012	Lister	
D662,491	S	6/2012	Andre	
D667,411	S	9/2012	Kim	
D671,820	S *	12/2012	Henderson .....	D8/373
8,544,805	B2	10/2013	Virgin	
D707,209	S *	6/2014	Ranaletta .....	D14/239
D710,340	S *	8/2014	Wengreen et al. ....	D14/238.1
D710,363	S *	8/2014	Wengreen .....	D14/432
8,848,113	B2 *	9/2014	Wengreen et al. ....	348/836
2005/0236541	A1	10/2005	Chang	
2007/0264169	A1	11/2007	Chen	
2008/0078793	A1	4/2008	Brown	
2009/0218454	A1	9/2009	Stanley	
2010/0314277	A1	12/2010	Murray	
2012/0126081	A1	5/2012	Wengreen	
2012/0127379	A1	5/2012	Wengreen	

OTHER PUBLICATIONS

U.S. Appl. No. 14/209,452, filed Mar. 13, 2014; entitled Mounting Methods for Digital Media Players.  
 Design U.S. Appl. No. 29/484,833, filed Mar. 13, 2014; entitled Mount for Electronic Devices.

Design U.S. Appl. No. 29/484,233, filed Mar. 7, 2014; entitled Mount for Electronic Devices.  
 Design U.S. Appl. No. 29/480,962, filed Jan. 31, 2014; entitled Mounting Arm.  
 U.S. Appl. No. 14/169,148, filed Jan. 30, 2014; entitled Mounting Methods for Digital Media Players.  
 Design U.S. Appl. No. 29/480,959, filed Jan. 30, 2014; entitled Mount for Electronic Devices.  
 U.S. Appl. No. 14/146,178, filed Jan. 2, 2014; entitled Surface Mounting Systems and Methods.  
 Design U.S. Appl. No. 29/450,269, filed Mar. 15, 2013; entitled Mounting System for Wireless Base Station.  
 Design U.S. Appl. No. 29/450,229, filed Mar. 15, 2013; entitled Line of Sight Mounting Systems for Digital Media Players.  
 Design U.S. Appl. No. 29/450,155, filed Mar. 15, 2013; entitled Remote Control Holder.  
 U.S. Appl. No. 13/781,717, filed Feb. 28, 2013; entitled Line of Sight Mounting Systems for Digital Media Players.  
 U.S. Appl. No. 13/779,733, filed Feb. 27, 2013; entitled Line of Sight Mounting System for Digital Media Players.  
 U.S. Appl. No. 13/332,373, filed Dec. 21, 2011; entitled Mounting Systems for Digital Media Players.  
 U.S. Appl. No. 13/278,759, filed Oct. 21, 2011; entitled Mounting Systems for Digital Media Players.  
 U.S. Appl. No. 61/416,736, filed Nov. 23, 2010; entitled Mounting System for Digital Media Players.  
 Apple Wi-Fi base stations—Downloaded on Mar. 14, 2014 from <https://www.apple.com/compare-wifi-models/>.  
 Apple AirPort Extreme—Downloaded on Mar. 14, 2014 from <http://www.apple.com/airport-extreme/>.  
 Apple AirPort Extreme—Apple Insider—Downloaded on Mar. 14, 2014 from <http://appleinsider.com/articles/13/06/11/apples-re-designed-airport-extreme-with-80211ac-support-gets-first-unboxing>.  
 Air Mount for AirPort Extreme and Time Capsule—Downloaded on Mar. 14, 2014 from <http://h-sq.com/products/airmount/index.html>.  
 Out of Sight Bracket—Website Part 1 (downloaded on Nov. 13, 2013 from [http://www.outofsightbracket.com/OutOfSightBracket/OutOfSightBracket\\_for\\_Apple\\_TV.html](http://www.outofsightbracket.com/OutOfSightBracket/OutOfSightBracket_for_Apple_TV.html)). The website says the Out of Sight Bracket is “Patent Pending.” The Out of Sight Bracket might have been made by Gordon H. Beckhart.  
 Out of Sight Bracket—Website Part 2 (downloaded on Nov. 13, 2013 from [http://www.outofsightbracket.com/OutOfSightBracket/How\\_to\\_mount\\_your\\_Apple\\_TV\\_or\\_AirPort\\_Express.html](http://www.outofsightbracket.com/OutOfSightBracket/How_to_mount_your_Apple_TV_or_AirPort_Express.html)). The website says the Out of Sight Bracket is “Patent Pending.” The Out of Sight Bracket might have been made by Gordon H. Beckhart.  
 Out of Sight Bracket—Website Part 3 (downloaded on Nov. 13, 2013 from <http://www.soundandvision.com/content/bracket-keeps-apple-airport-express-and-apple-tv-out-sight>).  
 TV Tray—Website (downloaded on Nov. 13, 2013 from <http://h-sq.com/products/tvtray/>).  
 TV Tray—Installation Guide (downloaded on Nov. 13, 2013 from [http://www.h-sq.com/downloads/tvtx\\_ug.pdf](http://www.h-sq.com/downloads/tvtx_ug.pdf)).  
 Cosmos Tray—Website (downloaded on Nov. 13, 2013 from [http://www.amazon.com/Cosmos-MD199LL-AirPort-Express-Station/dp/B00C2JNGB2/ref=sr\\_1\\_4?ie=UTF8&qid=1384406376&sr=8-4&keywords=apple+tv+mount](http://www.amazon.com/Cosmos-MD199LL-AirPort-Express-Station/dp/B00C2JNGB2/ref=sr_1_4?ie=UTF8&qid=1384406376&sr=8-4&keywords=apple+tv+mount)).  
 CTA Digital—Website (downloaded on Nov. 13, 2013 from <http://www.ctadigital.com/downloads/KIN-WMC-final.pdf>).  
 PDP Mounting Clip—Part 1 (downloaded on Nov. 13, 2013 from <http://www.amazon.com/Kinect-Sensor-TV-Mounting-Clip-Xbox/dp/B004XV6ST4>).  
 PDP Mounting Clip—Part 2 (downloaded on Nov. 13, 2013 from [http://www.microsoftstore.com/store/msusa/en\\_US/pdp/Kinect-Sensor-TV-Mounting-Clip/productID.253726200](http://www.microsoftstore.com/store/msusa/en_US/pdp/Kinect-Sensor-TV-Mounting-Clip/productID.253726200)).  
 PDP Mounting Clip—Part 3 (downloaded on Nov. 13, 2013 from <http://www.bestbuy.com/site/pdp-sensor-mounting-clip-for-kinect/3521258.p?id=1218408957863&skuId=3521258>).  
 ScreenDeck (downloaded on Nov. 13, 2013 from [http://news.cnet.com/8301-17938\\_105-20071226-1/screendeck-adds-top-shelf-to-your-flat-panel-tv/](http://news.cnet.com/8301-17938_105-20071226-1/screendeck-adds-top-shelf-to-your-flat-panel-tv/)).  
 Center Stage Bracket—Part 1 (downloaded on Nov. 13, 2013 from <http://www.bestbuy.com/site/center-stage-bracket-satellite-center->



(56)

**References Cited**

## OTHER PUBLICATIONS

channel-speaker-shelf-bracket-black/5857191.

p?id=1218697292805&skuId=5857191).

Center Stage Bracket—Part 2 (downloaded on Nov. 13, 2013 from <http://www.bestbuy.com/site/center-stage-bracket-satellite-center-channel-speaker-shelf-bracket-black/5857191>).

p?id=1218697292805&skuId=5857191).

DreamGear TriMount (downloaded on Nov. 14, 2013 from <http://www.dreamgear.net/shop-by-platform/universal/trimount.html>).

Medialink router (downloaded on Jan. 2, 2014 from [http://www.medialinkproducts.com/docs/MWN-WAPR150N\\_User\\_Guide.pdf](http://www.medialinkproducts.com/docs/MWN-WAPR150N_User_Guide.pdf)).

Cisco router wall mounting instructions (downloaded on Jan. 2, 2014 from <http://www.cisco.com/en/US/docs/routers/access/1800/1841/hardware/installation/guide/18inst.pdf>).

Cisco wall mounting bracket (downloaded on Jan. 2, 2014 from <http://www.cisco.com/en/US/docs/routers/access/800/806/hardware/installation/guide/install.pdf>).

Netgear ProSafe (downloaded on Jan. 2, 2014 from [http://www.storagereview.com/netgear\\_prosafe\\_wndap660\\_dualband\\_wireless\\_access\\_point\\_review](http://www.storagereview.com/netgear_prosafe_wndap660_dualband_wireless_access_point_review)) article includes a date of Dec. 21, 2012.

Wireless router picture (downloaded on Jan. 2, 2014 from <http://www.techwarelabs.com/wp-content/gallery/ingenius-esr9850-wireless-router/router-bottom.jpg>).

Apple TV, downloaded on Feb. 3, 2014 from <http://www.apple.com/appletv/what-is/>.

Roku media players—Part 1, downloaded on Feb. 3, 2014 from <http://www.roku.com/products/roku-2>.

Roku media players—Part 2, downloaded on Feb. 3, 2014 from <http://www.roku.com/products/compare>.

Innovelis, Inc. Product—TotalMount—Apple TV Mounting Kit, downloaded from Amazon.com on Feb. 3, 2014, first available on Amazon.com on Jun. 22, 2011: [http://www.amazon.com/TotalMount-Apple-Universal-Mounting-Kit/dp/B0057CVH6W/ref=sr\\_1\\_1?ie=UTF8&qid=1391473446&sr=8-1&keywords=TOTALMOUNT](http://www.amazon.com/TotalMount-Apple-Universal-Mounting-Kit/dp/B0057CVH6W/ref=sr_1_1?ie=UTF8&qid=1391473446&sr=8-1&keywords=TOTALMOUNT).

Innovelis, Inc. Product—TotalMount—Roku Mounting Kit, downloaded from Amazon.com on Feb. 3, 2014, first available on Amazon.com on Jun. 14, 2012: [http://www.amazon.com/TotalMount-ROKU-UNIVERSAL-MOUNTING-Compatible/dp/B008B1125W/ref=sr\\_1\\_2?ie=UTF8&qid=1391473922&sr=8-2&keywords=totalmount](http://www.amazon.com/TotalMount-ROKU-UNIVERSAL-MOUNTING-Compatible/dp/B008B1125W/ref=sr_1_2?ie=UTF8&qid=1391473922&sr=8-2&keywords=totalmount).

Innovelis, Inc. Product—TotalMount—Remote Holder, downloaded from Amazon.com on Feb. 3, 2014, first available on Amazon.com on Jul. 2, 2013: [http://www.amazon.com/Apple-TV-Remote-Holder-TotalMount/dp/B00DR76YJO/ref=sr\\_1\\_3?ie=UTF8&qid=1391474218&sr=8-3&keywords=totalmount](http://www.amazon.com/Apple-TV-Remote-Holder-TotalMount/dp/B00DR76YJO/ref=sr_1_3?ie=UTF8&qid=1391474218&sr=8-3&keywords=totalmount).

Innovelis, Inc. Product—TotalMount—AirPort Express Mounting Kit, downloaded from Amazon.com on Feb. 3, 2014, first available on Amazon.com in approximately Sep. 2012: [http://www.amazon.com/TotalMount-AirPort-Express-Mounting-Kit/dp/B009HC7BL8/ref=sr\\_1\\_4?ie=UTF8&qid=1391474218&sr=8-4&keywords=totalmount](http://www.amazon.com/TotalMount-AirPort-Express-Mounting-Kit/dp/B009HC7BL8/ref=sr_1_4?ie=UTF8&qid=1391474218&sr=8-4&keywords=totalmount).

Innovelis, Inc. Product—TotalMount—Roku Mounting Kit (Version 1), downloaded from Amazon.com on Feb. 3, 2014, first available on Amazon.com on Jan. 19, 2012: [http://www.amazon.com/TotalMount-ROKU-MOUNTING-Compatible-Roku/dp/B006ZS4R46/ref=sr\\_1\\_5?ie=UTF8&qid=1391474218&sr=8-5&keywords=totalmount](http://www.amazon.com/TotalMount-ROKU-MOUNTING-Compatible-Roku/dp/B006ZS4R46/ref=sr_1_5?ie=UTF8&qid=1391474218&sr=8-5&keywords=totalmount).

Innovelis, Inc. Product—TotalMount—AirPort Extreme Mounting Kit, downloaded from Amazon.com on Feb. 3, 2014, first available on Amazon.com in approximately Apr. 2013: [http://www.amazon.com/TotalMount-Compatible-generations-compatible-generation/dp/B00CK2CDLK/ref=sr\\_1\\_7?ie=UTF8&qid=1391474218&sr=8-7&keywords=totalmount](http://www.amazon.com/TotalMount-Compatible-generations-compatible-generation/dp/B00CK2CDLK/ref=sr_1_7?ie=UTF8&qid=1391474218&sr=8-7&keywords=totalmount).

Innovelis, Inc. Product—TotalMount—Vizio Mounting Kit, downloaded from Amazon.com on Feb. 3, 2014, first available on Amazon.com in approximately May 2013: [http://www.amazon.com/TotalMount-VIZIO-Co-Star-Mounting-Kit/dp/B00GDMXSZ8/ref=sr\\_1\\_10?ie=UTF8&qid=1391474218&sr=8-10&keywords=totalmount](http://www.amazon.com/TotalMount-VIZIO-Co-Star-Mounting-Kit/dp/B00GDMXSZ8/ref=sr_1_10?ie=UTF8&qid=1391474218&sr=8-10&keywords=totalmount).

\* cited by examiner

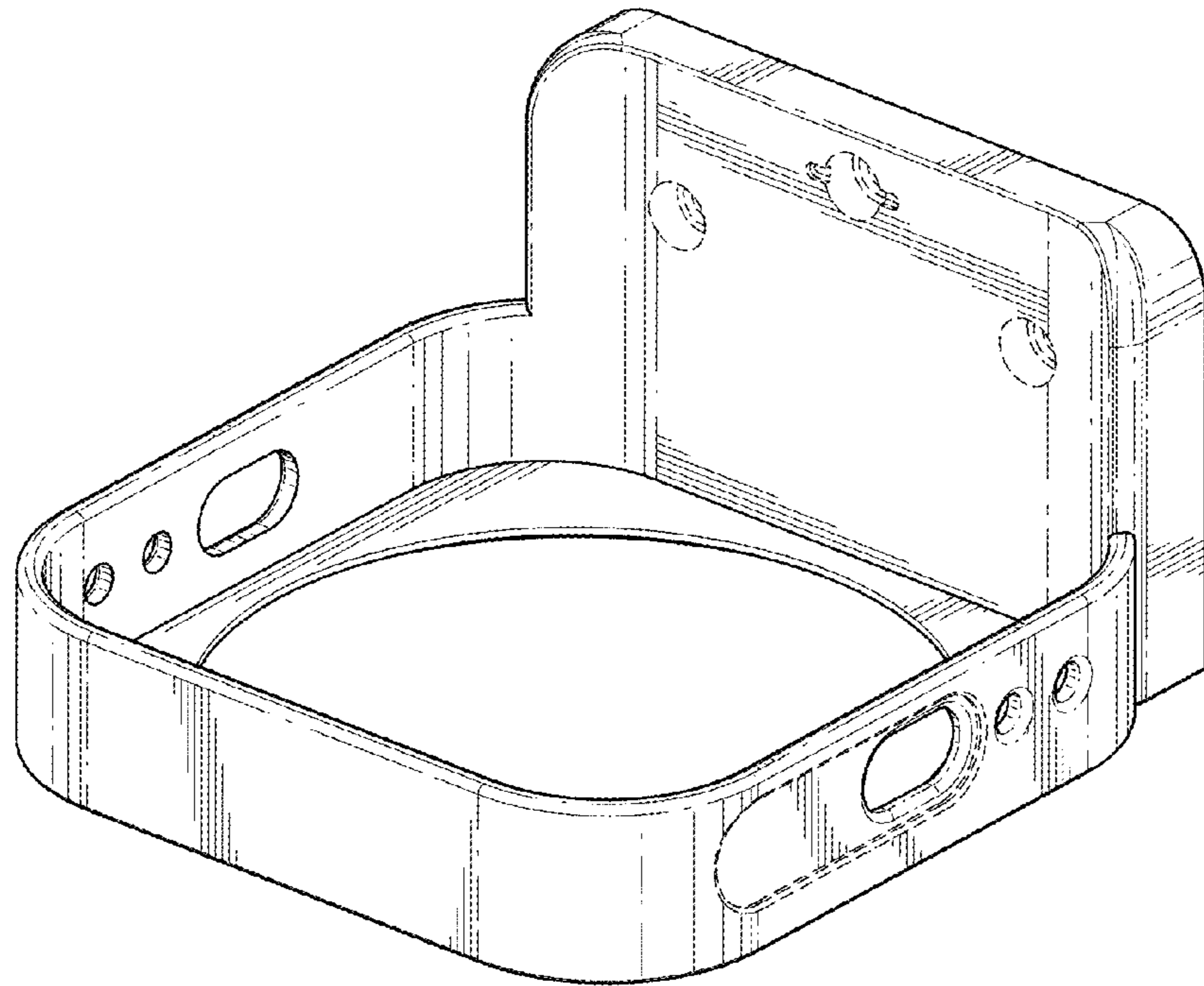


FIG. 1

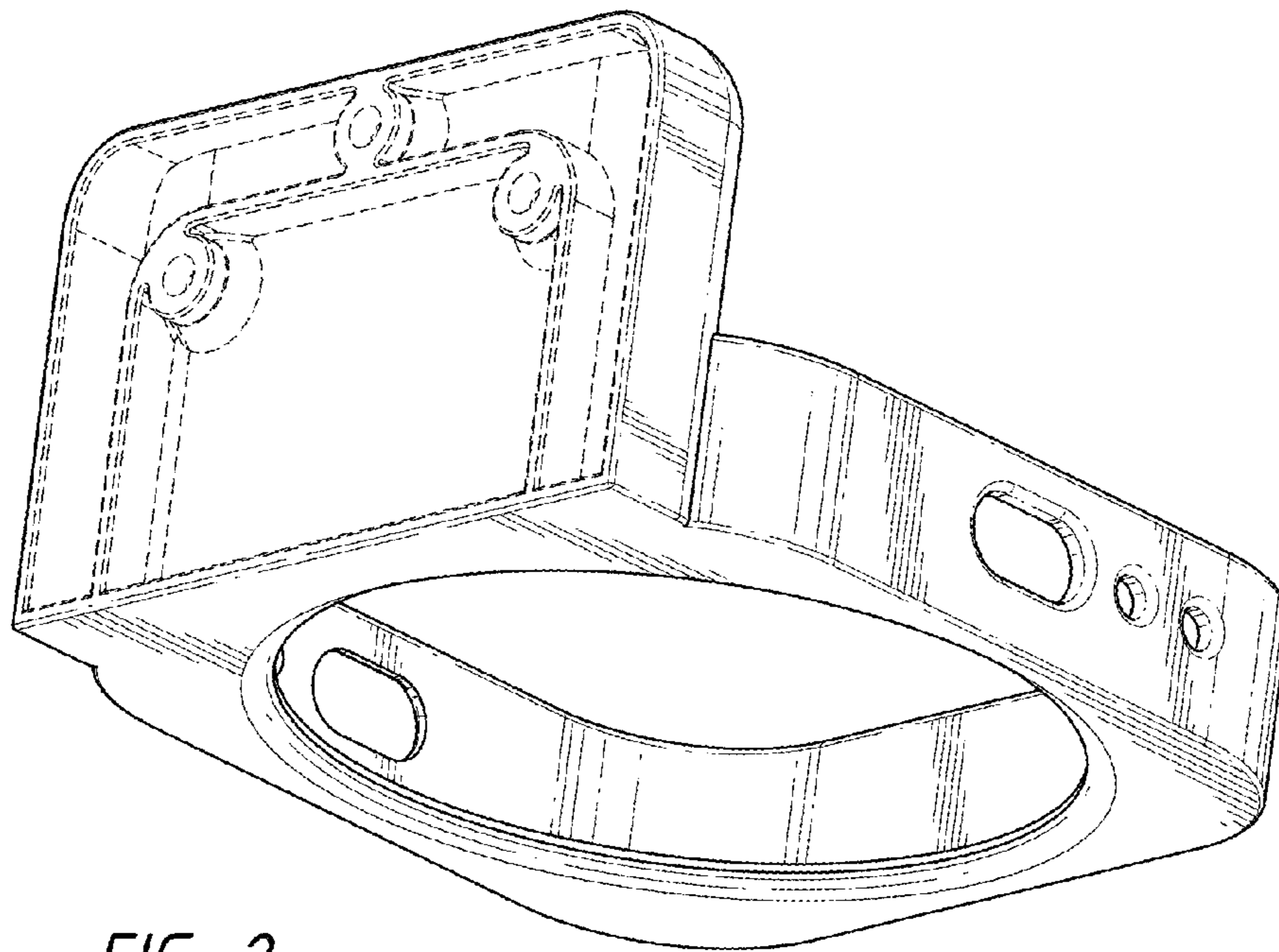


FIG. 2

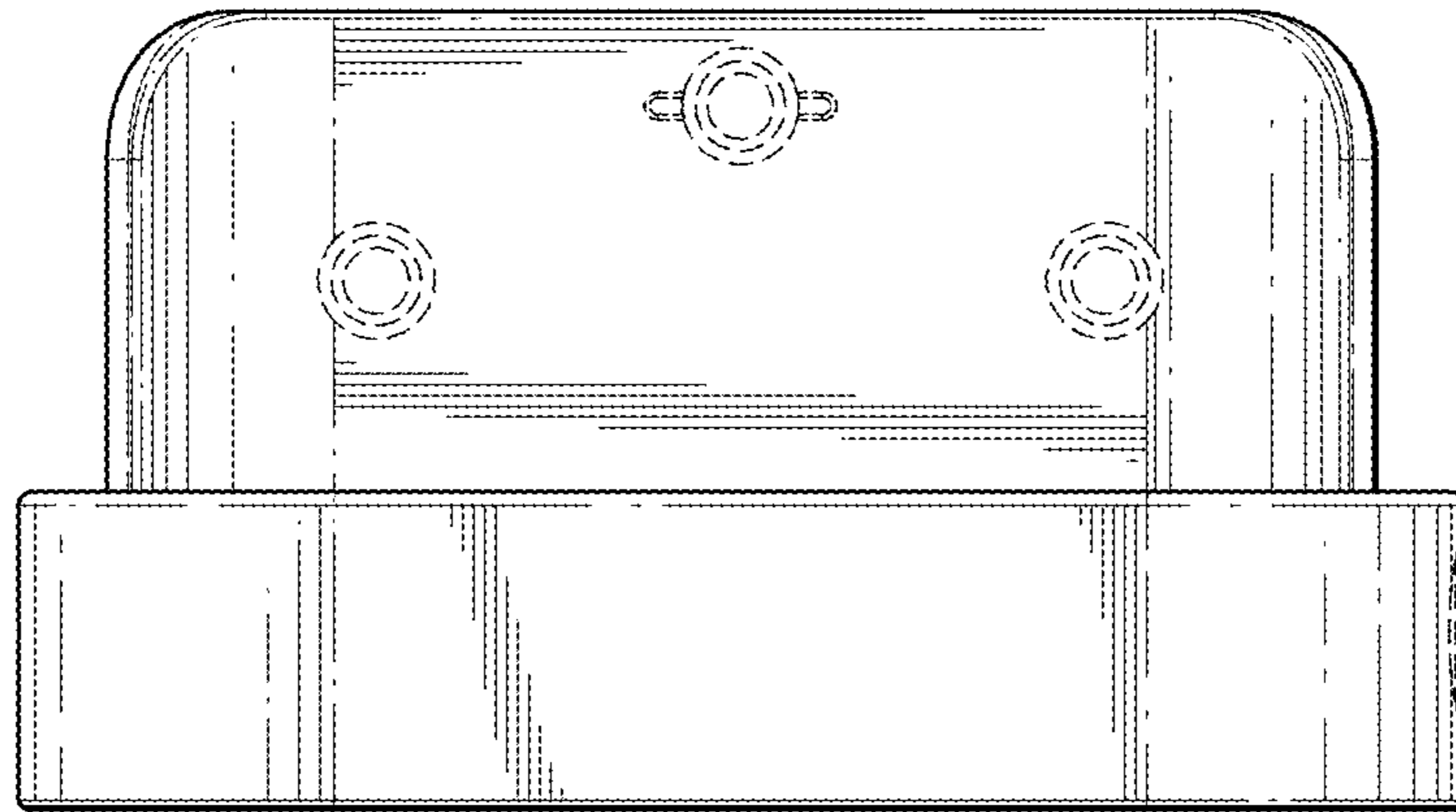


FIG. 3

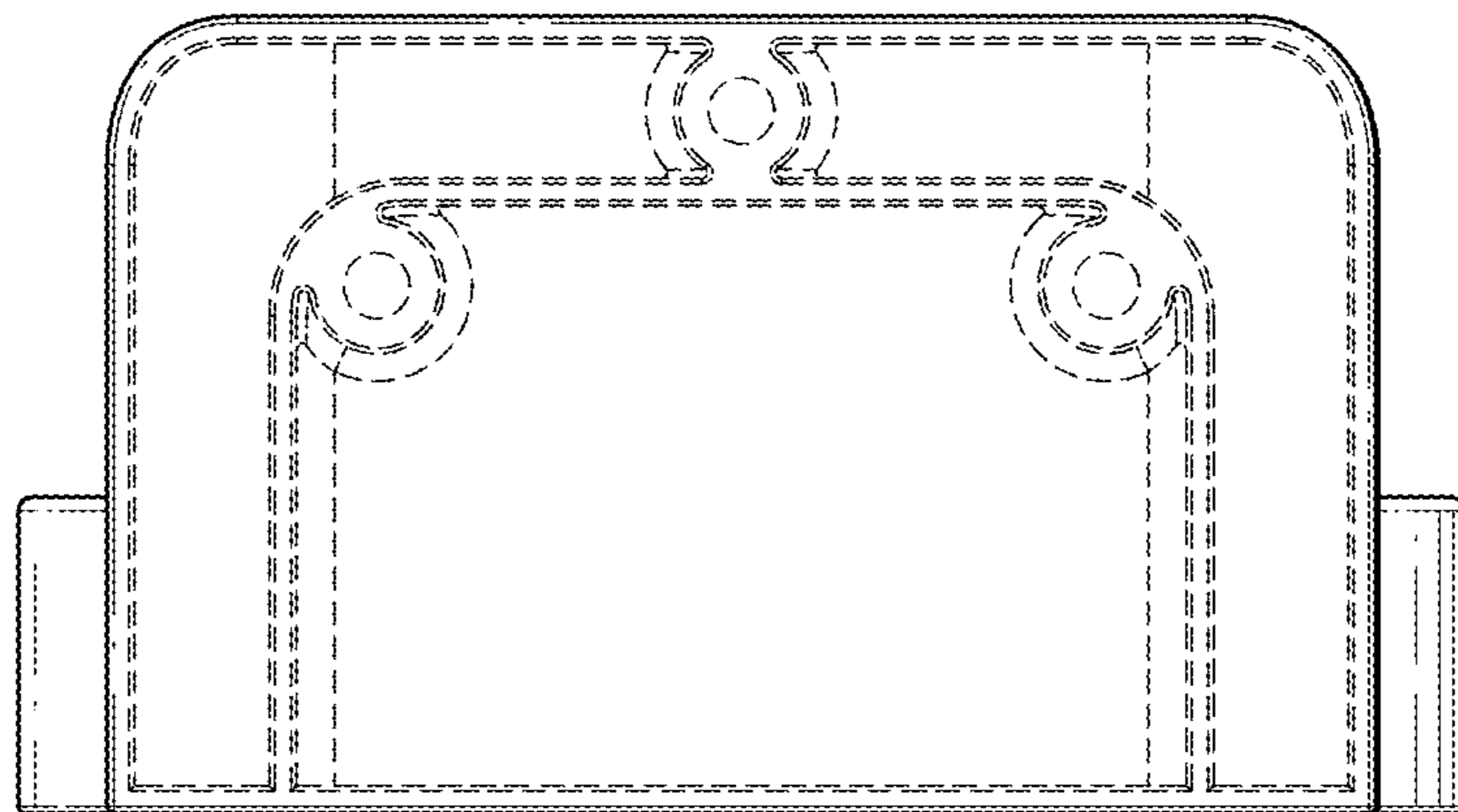


FIG. 4

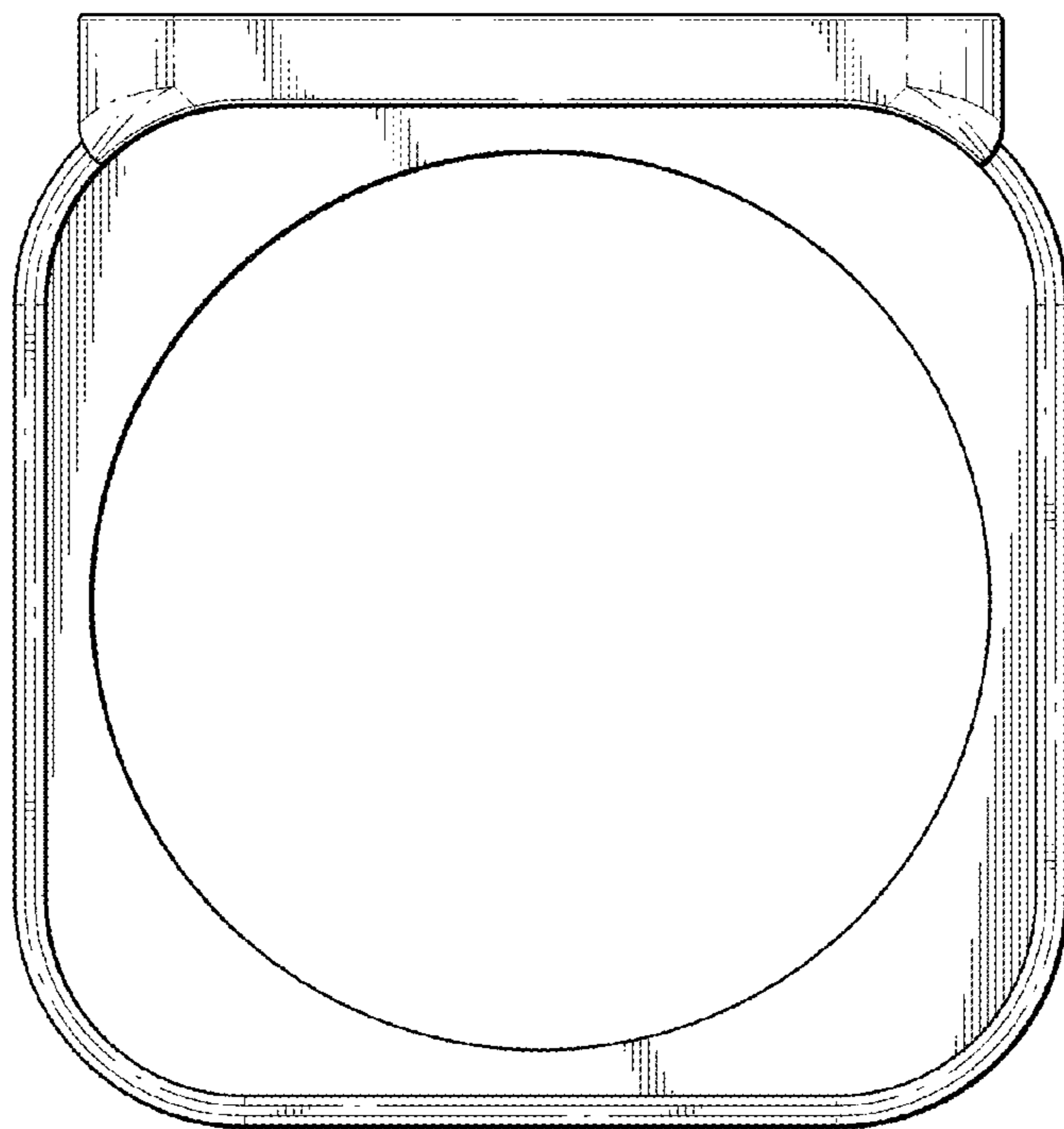


FIG. 5

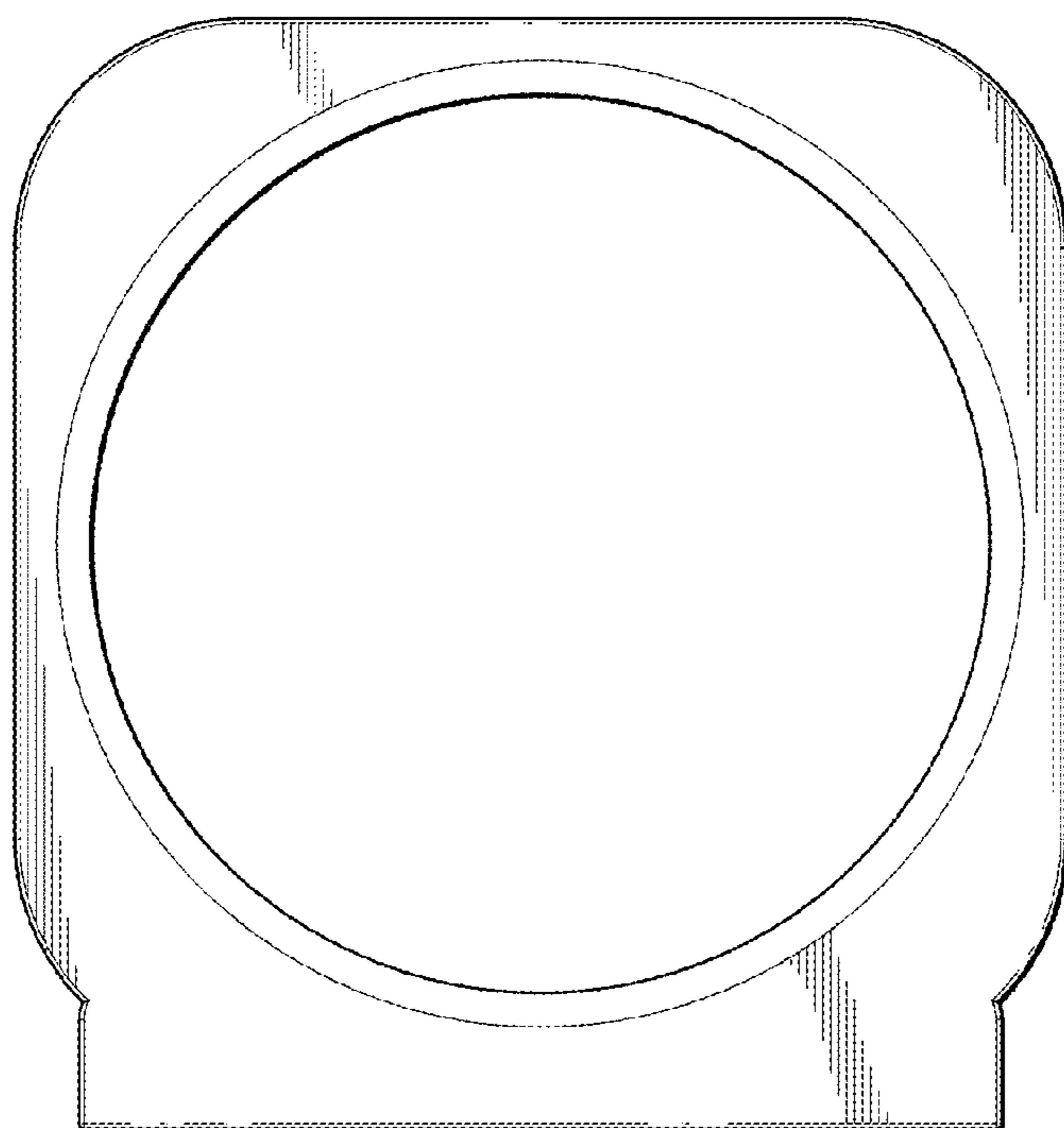
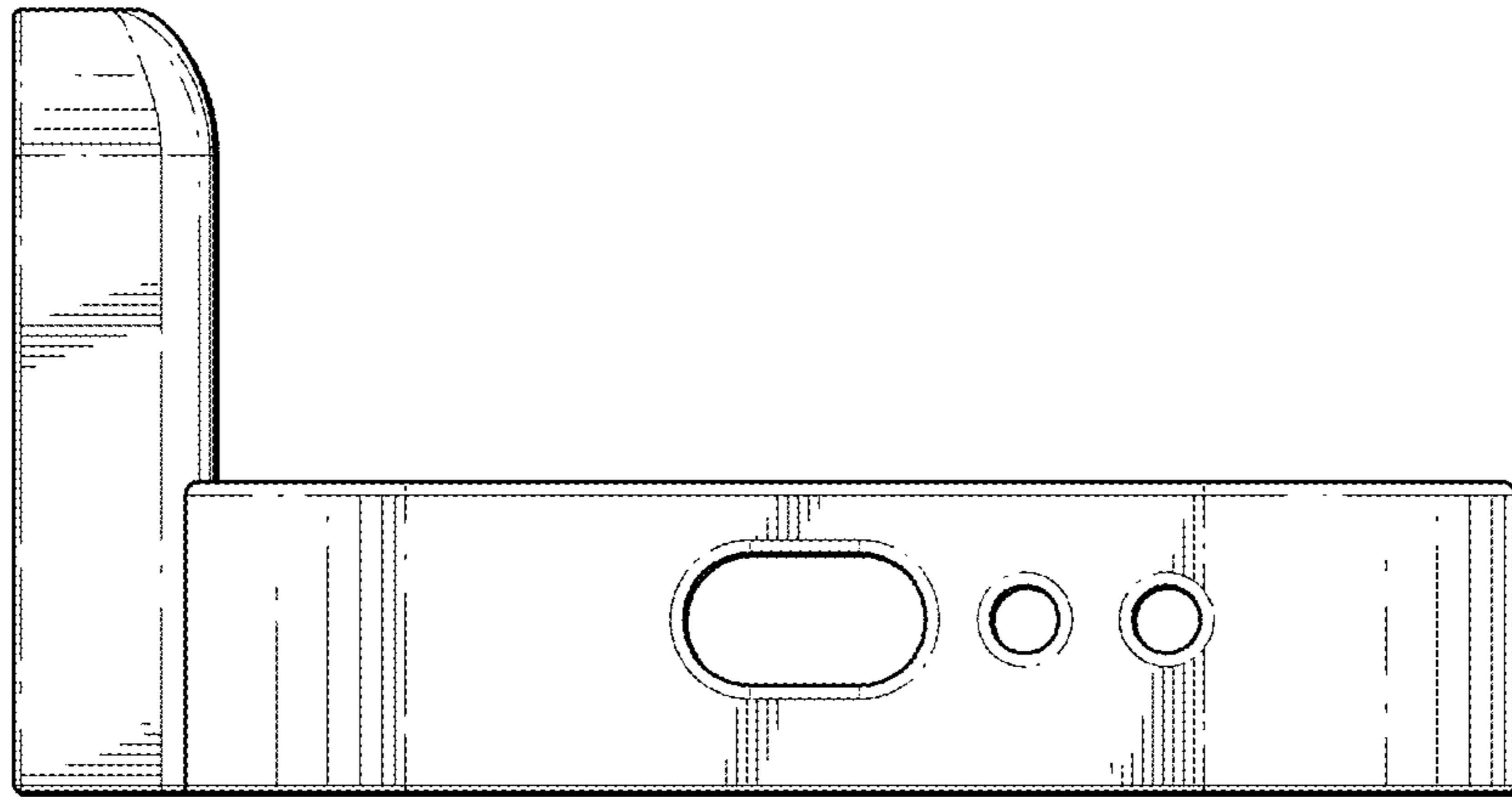
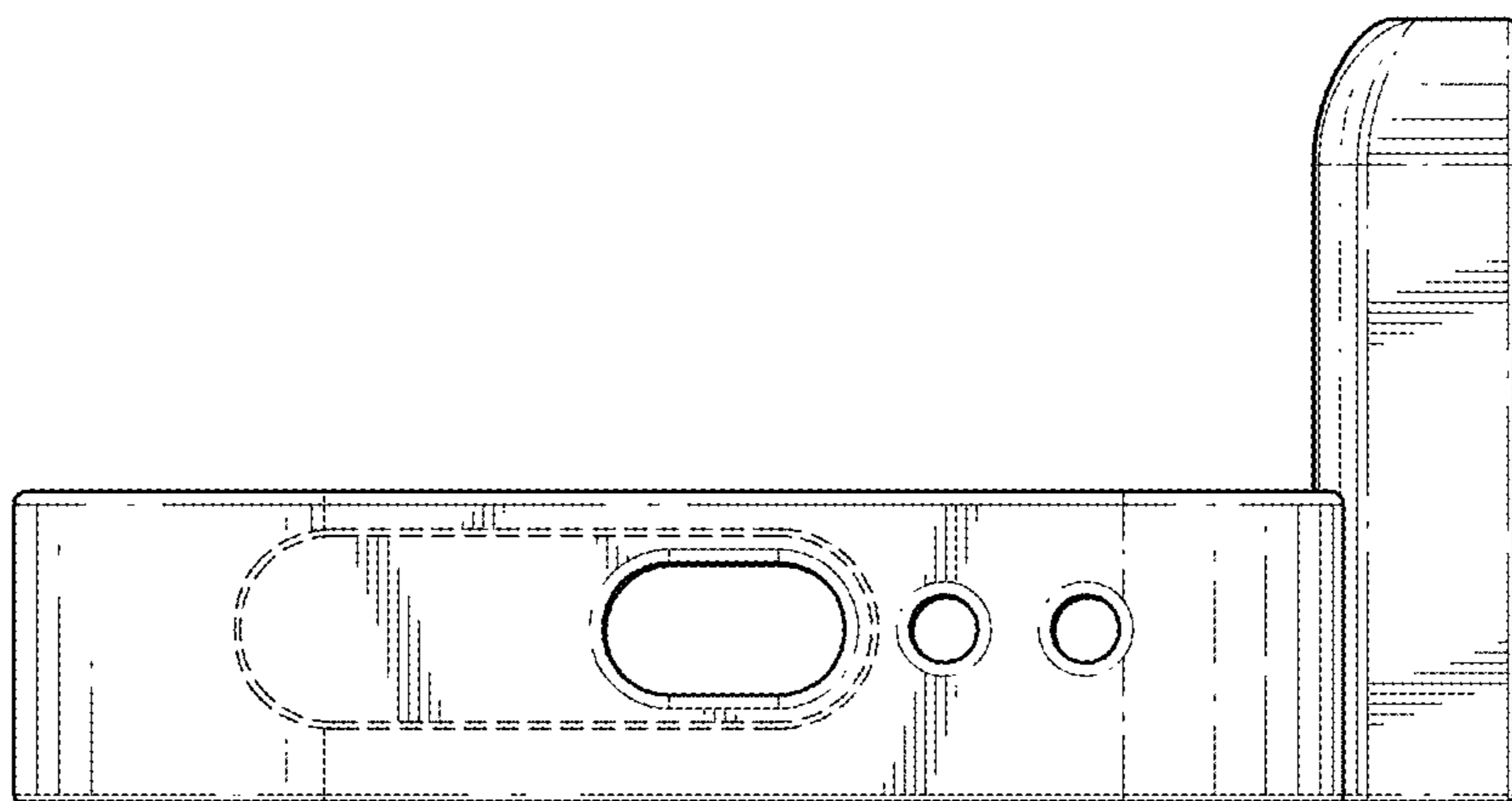


FIG. 6





*FIG. 7*



*FIG. 8*