



US00D733690S

(12) **United States Design Patent**
Zukowski

(10) **Patent No.:** **US D733,690 S**
(45) **Date of Patent:** **** Jul. 7, 2015**

(54) **NOISE MITIGATING MICROPHONE ATTACHMENT**

(71) Applicant: **Kaotica Corporation, Corporation**
#2015091974, Calgary (CA)

(72) Inventor: **Konrad Zukowski, Calgary (CA)**

(73) Assignee: **Kaotica Corporation, Calgary (CA)**

(**) Term: **14 Years**

(21) Appl. No.: **29/471,259**

(22) Filed: **Oct. 30, 2013**

(51) **LOC (10) Cl.** **14-01**

(52) **U.S. Cl.**
USPC **D14/228**

(58) **Field of Classification Search**
USPC D14/203.1, 203.6, 204-207, 210-221,
D14/223-229, 509; 381/322, 354-361, 380;
181/158, 242, 207; D11/121; D7/629;
D9/425, 504, 505, 119, 715, 726, 776
See application file for complete search history.

(56) **References Cited**

U.S. PATENT DOCUMENTS

D49,555	S	*	8/1916	Vivaudou	D9/504
D69,766	S	*	3/1926	Miller	D9/505
D112,545	S	*	12/1938	Younghusband	D9/504
2,263,408	A	*	11/1941	Lakhovsky	181/242
2,881,850	A	*	4/1959	Bonn	181/153
D186,892	S	*	12/1959	Wilber	D14/211
D210,538	S	*	3/1968	Lahti	D14/213
3,440,365	A		4/1969	Bryant et al.		
3,573,400	A		4/1971	Sessler		
D222,072	S	*	9/1971	Levitt	D14/211
3,895,188	A		7/1975	Ingraham		
D254,716	S	*	4/1980	Mascia et al.	D9/776
D264,994	S	*	6/1982	Ripley	D24/117
D272,128	S	*	1/1984	Parmentier	D9/425
4,570,746	A		2/1986	Das et al.		
D286,858	S	*	11/1986	Giorgio	D9/519

D291,179	S	*	8/1987	Frizon	D9/519
4,703,872	A	*	11/1987	Cornette et al.	222/158
4,792,013	A	*	12/1988	Boynton	181/242
4,805,728	A		2/1989	Carter et al.		
4,834,212	A		5/1989	Figone et al.		

(Continued)

FOREIGN PATENT DOCUMENTS

EP			2330829	A1		6/2011
WO			99/49697	A1		9/1999
WO			2009/134519	A1		11/2009

OTHER PUBLICATIONS

International Search Report and Written Opinion mailed Oct. 28, 2013 in PCT/CA2013/050674, 8 pages.

(Continued)

Primary Examiner — Susan Bennett Hattan

Assistant Examiner — Marie Fast Horse

(74) *Attorney, Agent, or Firm* — Kilpatrick Townsend & Stockton, LLP

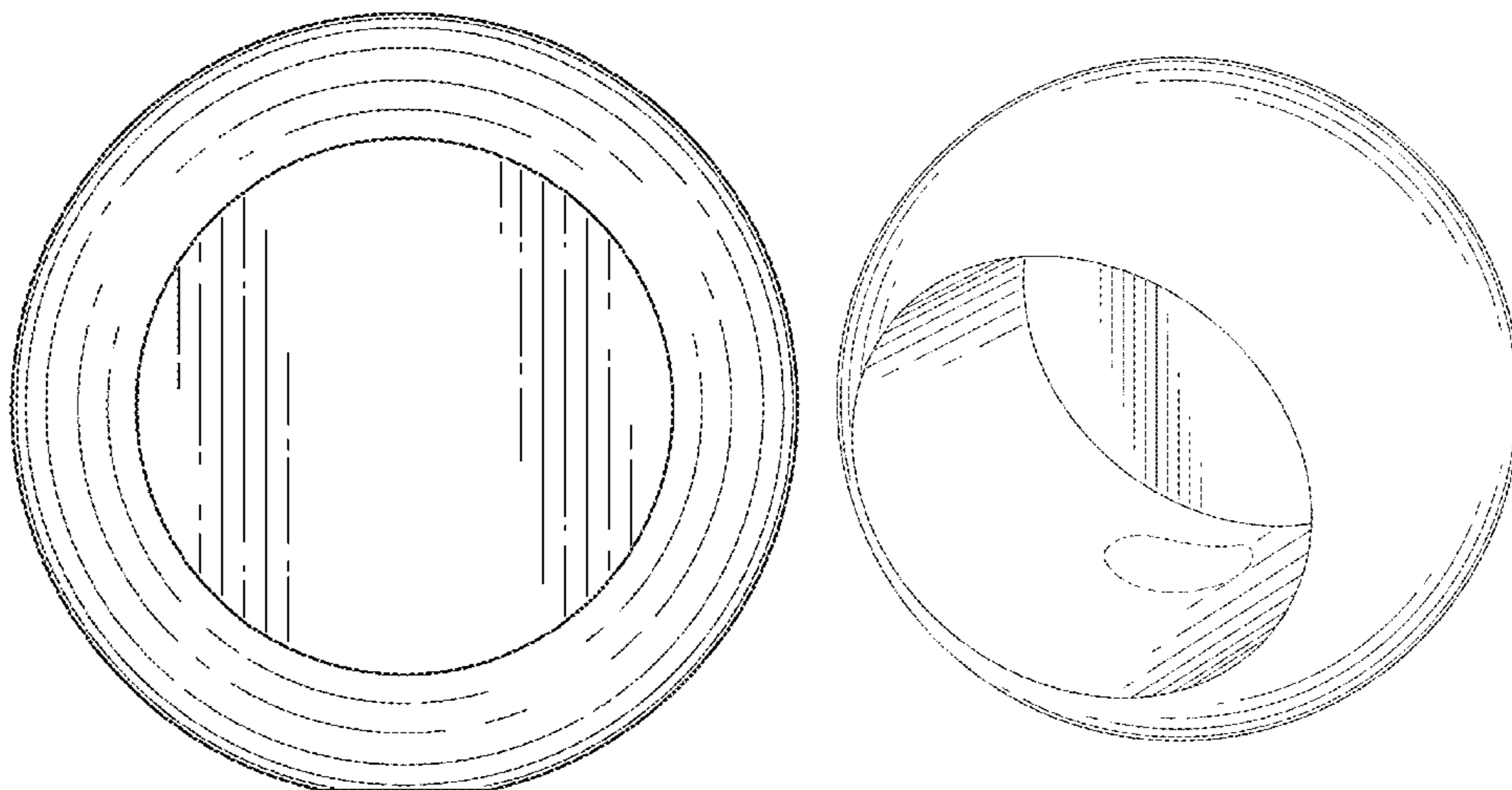
(57) **CLAIM**

The ornamental design for a noise mitigating microphone attachment, as shown and described.

DESCRIPTION

FIG. 1 is a front elevational view of a noise mitigating microphone attachment showing my new design; FIG. 2 is a rear elevational view; FIG. 3 is a left side elevational view; FIG. 4 is a right side elevational view; FIG. 5 is a top plan view; FIG. 6 is a bottom plan view; and, FIG. 7 is a left, front perspective view. The broken line in the drawings depicts parts of the noise mitigating microphone attachment that form no part of the claimed design.

1 Claim, 4 Drawing Sheets



(56)

References Cited

U.S. PATENT DOCUMENTS

4,953,223 A * 8/1990 Householder 381/387
 4,967,874 A 11/1990 Scalli
 5,022,486 A 6/1991 Miura et al.
 5,309,808 A 5/1994 Tarrant
 5,395,168 A 3/1995 Leenen
 5,692,060 A 11/1997 Wickstrom
 D395,715 S * 6/1998 Queen D26/24
 D404,681 S * 1/1999 Galerneau D11/121
 D430,142 S * 8/2000 Kuo et al. D14/216
 D445,831 S * 7/2001 Lindner D19/57
 D447,471 S * 9/2001 Andre et al. D14/216
 D460,952 S * 7/2002 Kataoka D14/126
 D464,571 S * 10/2002 Hill et al. D9/519
 D487,739 S * 3/2004 Wise D14/225
 6,738,487 B1 * 5/2004 Nageno et al. 381/322
 6,968,053 B1 11/2005 Ray
 6,991,289 B2 1/2006 House
 D519,112 S * 4/2006 Yang D14/228
 D525,375 S * 7/2006 Funck et al. D26/26
 D526,644 S * 8/2006 Breit D14/216
 D528,257 S * 9/2006 Leclerc et al. D34/1
 D534,814 S * 1/2007 Johnston et al. D9/726
 D552,084 S * 10/2007 Chapman et al. D14/216
 D554,682 S * 11/2007 Martinez et al. D16/203
 D564,900 S * 3/2008 Green et al. D9/715
 D566,189 S * 4/2008 Ivey D19/75
 7,496,208 B2 2/2009 Uchimura
 D588,583 S * 3/2009 McDougal D14/225
 D592,064 S * 5/2009 Kilany D9/519
 D596,306 S * 7/2009 Levine D24/214
 D596,616 S * 7/2009 Andre et al. D14/205
 D602,311 S * 10/2009 Finell D7/629
 D612,245 S * 3/2010 Canamasas Puigbo D9/519
 D618,209 S * 6/2010 Andre et al. D14/205
 D618,210 S * 6/2010 Andre et al. D14/205

7,747,033 B2 6/2010 Uchimura
 7,783,069 B1 * 8/2010 Miller et al. 381/354
 7,840,013 B2 * 11/2010 Dedieu et al. 381/92
 D631,204 S * 1/2011 Dubitsky et al. D28/82
 7,916,887 B2 3/2011 Cleckler et al.
 D640,248 S * 6/2011 Baumann et al. D14/253
 D645,846 S * 9/2011 Mordechai D14/216
 D650,280 S * 12/2011 de Peyerimhoff et al. D9/504
 8,069,946 B1 12/2011 Cruise, III
 D661,540 S * 6/2012 Facey D7/354
 D661,994 S * 6/2012 Van Den Wouwer et al. . D9/563
 D674,103 S * 1/2013 Smith D24/197
 D675,194 S * 1/2013 Andre et al. D14/223
 D676,423 S * 2/2013 Joseph D14/216
 8,430,258 B2 * 4/2013 Yamamoto et al. 220/62.22
 D690,344 S * 9/2013 Hollinger D16/200
 D693,814 S * 11/2013 Park D14/434
 D696,298 S * 12/2013 Britt et al. D14/496
 D698,023 S * 1/2014 Iseberg et al. D24/174
 D699,674 S * 2/2014 Man D13/108
 D700,591 S * 3/2014 Xiao et al. D14/216
 D701,831 S * 4/2014 Park et al. D13/108
 D705,844 S * 5/2014 Bart et al. D16/203
 8,730,037 B2 * 5/2014 Houvener et al. 340/540
 8,737,662 B2 * 5/2014 Zukowski 381/360
 2005/0126848 A1 6/2005 Siavoshai et al.
 2008/0302599 A1 * 12/2008 Zou 181/290
 2009/0202097 A1 8/2009 Tiscareno et al.
 2014/0061077 A1 * 3/2014 Gutttag et al. 206/316.1
 2014/0064543 A1 * 3/2014 Zukowski 381/360
 2014/0064544 A1 * 3/2014 Zukowski 381/360

OTHER PUBLICATIONS

Office Action mailed Oct. 21, 2013 in U.S. Appl. No. 13/604,589, 9 pages.

* cited by examiner

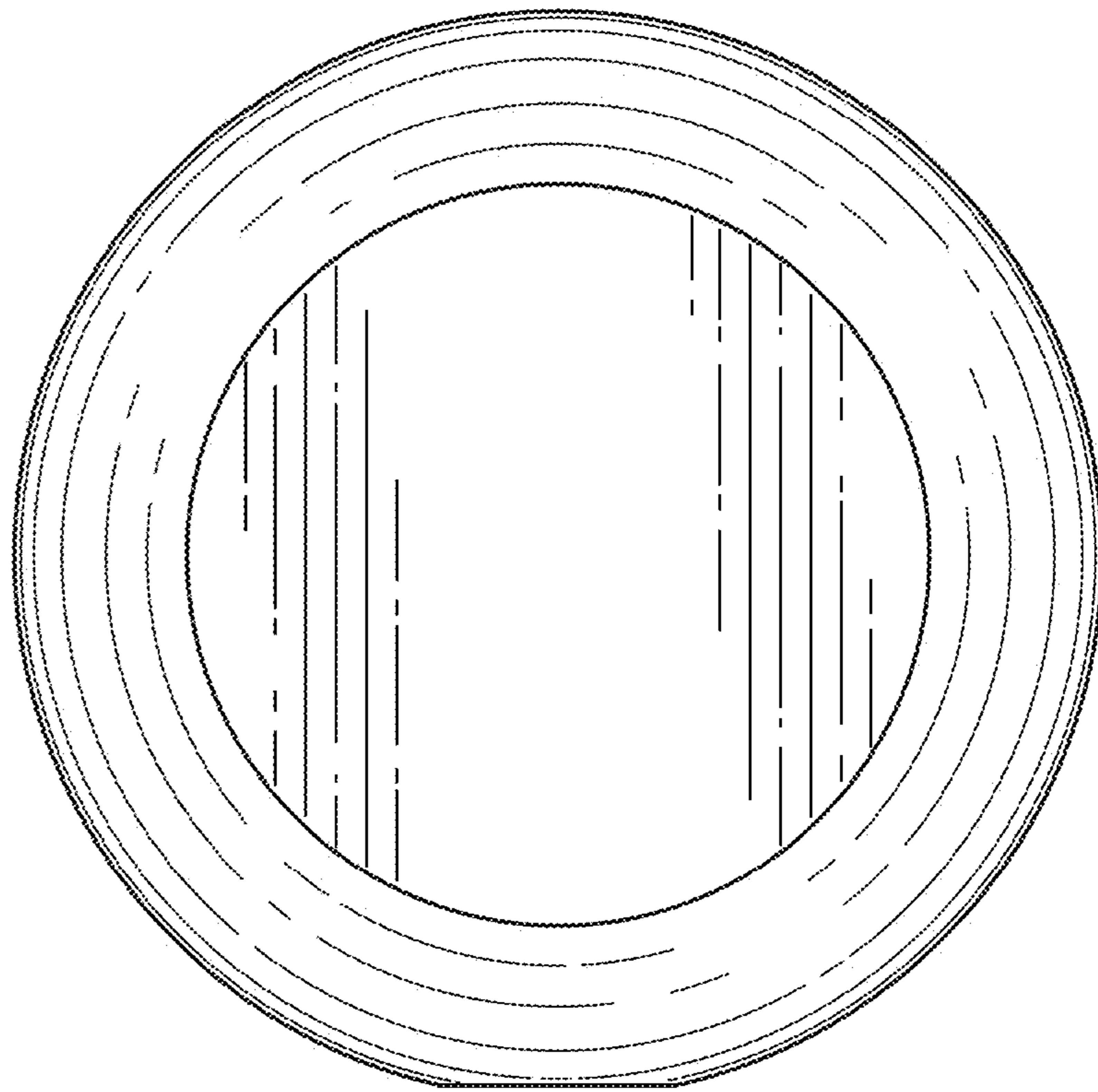


FIG. 1

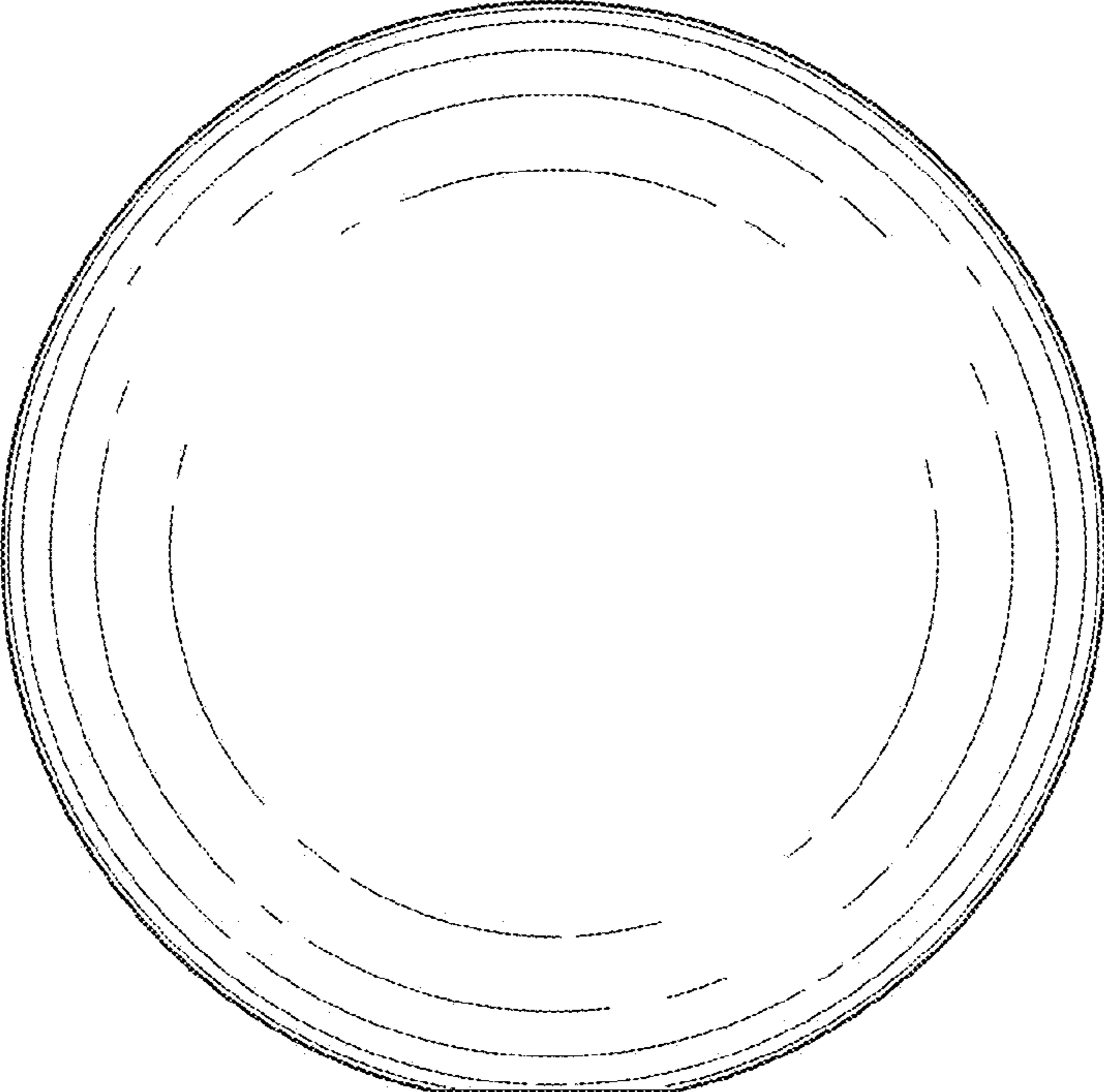


FIG. 2

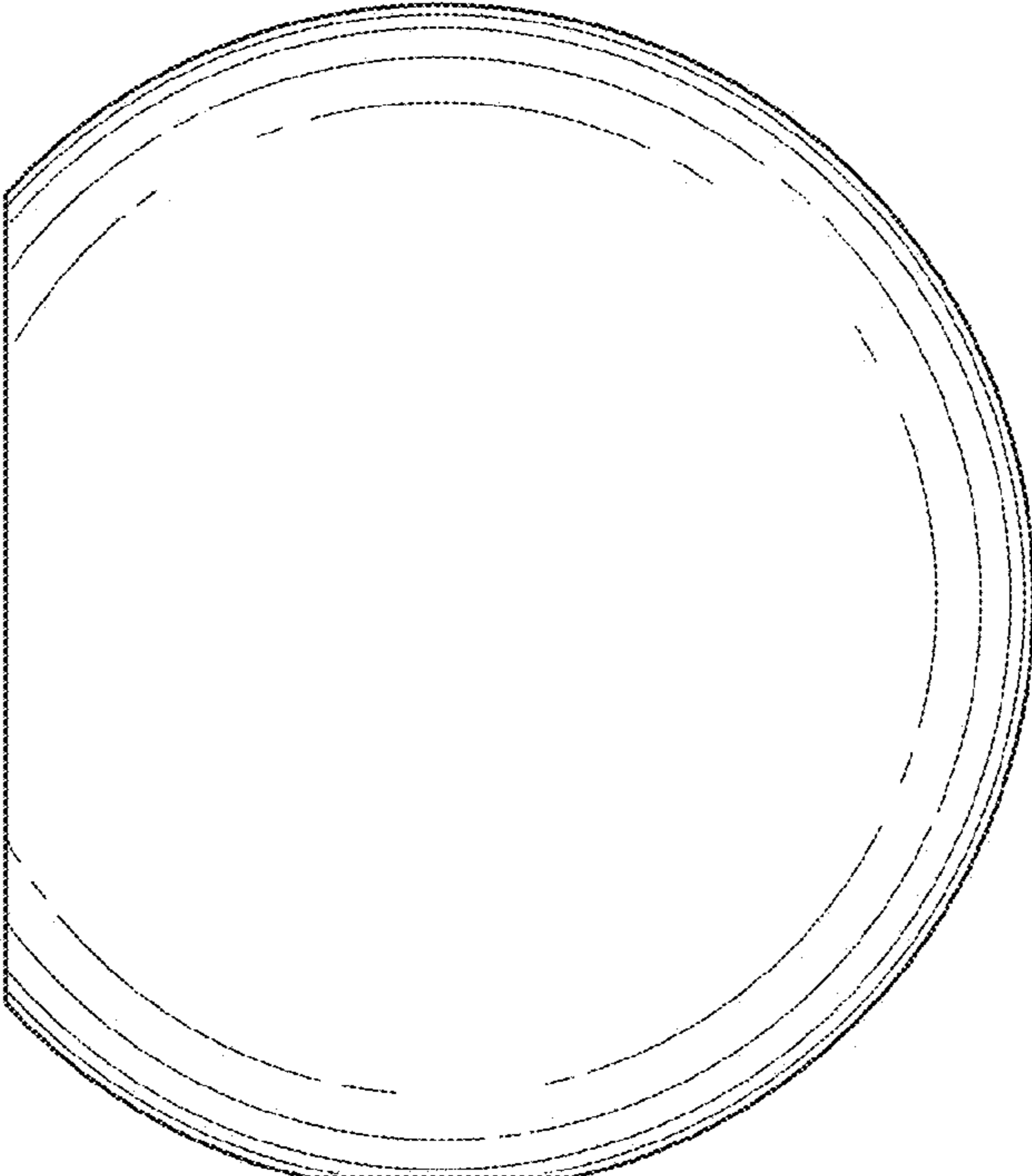


FIG. 3

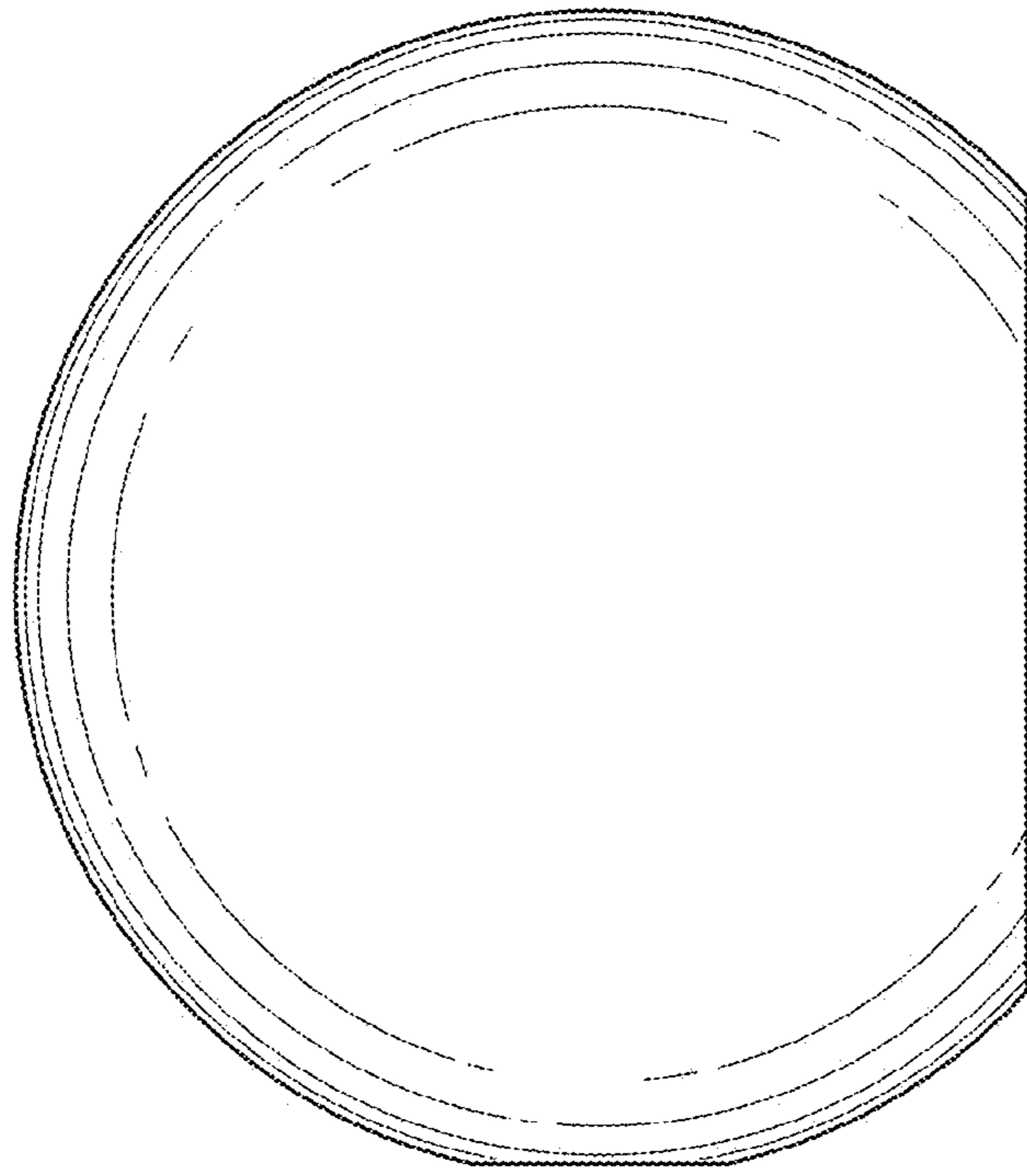


FIG. 4

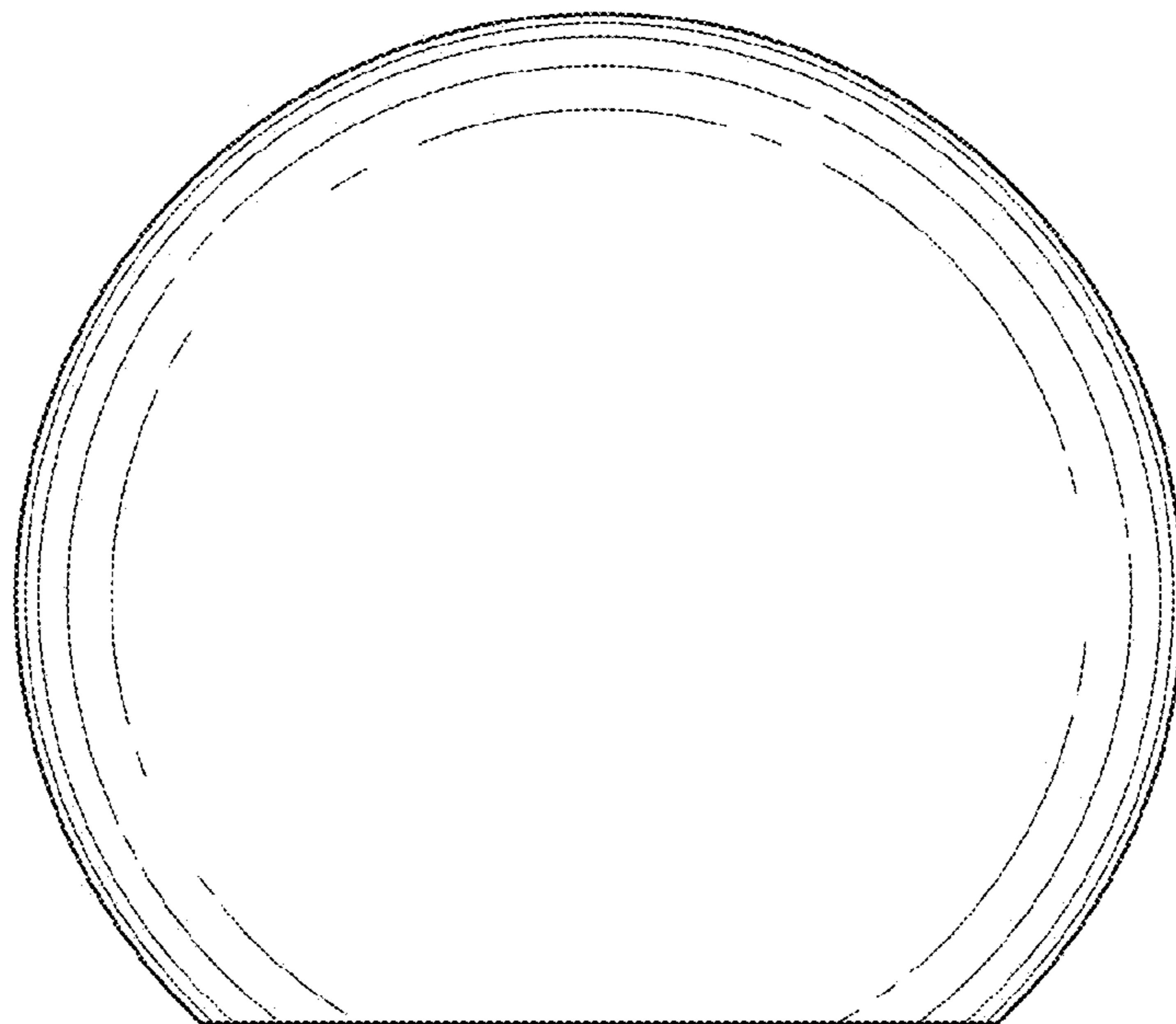


FIG. 5

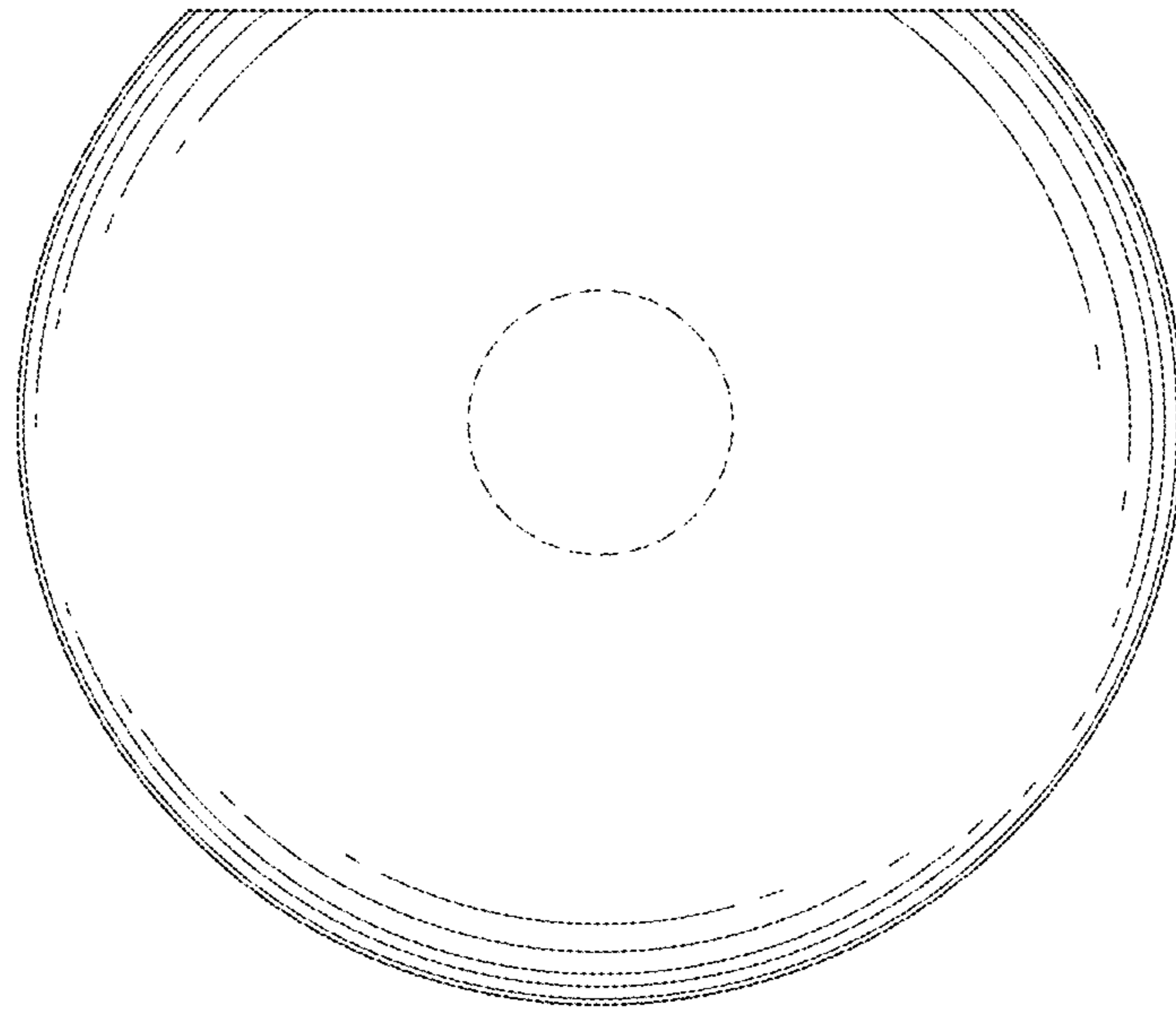


FIG. 6

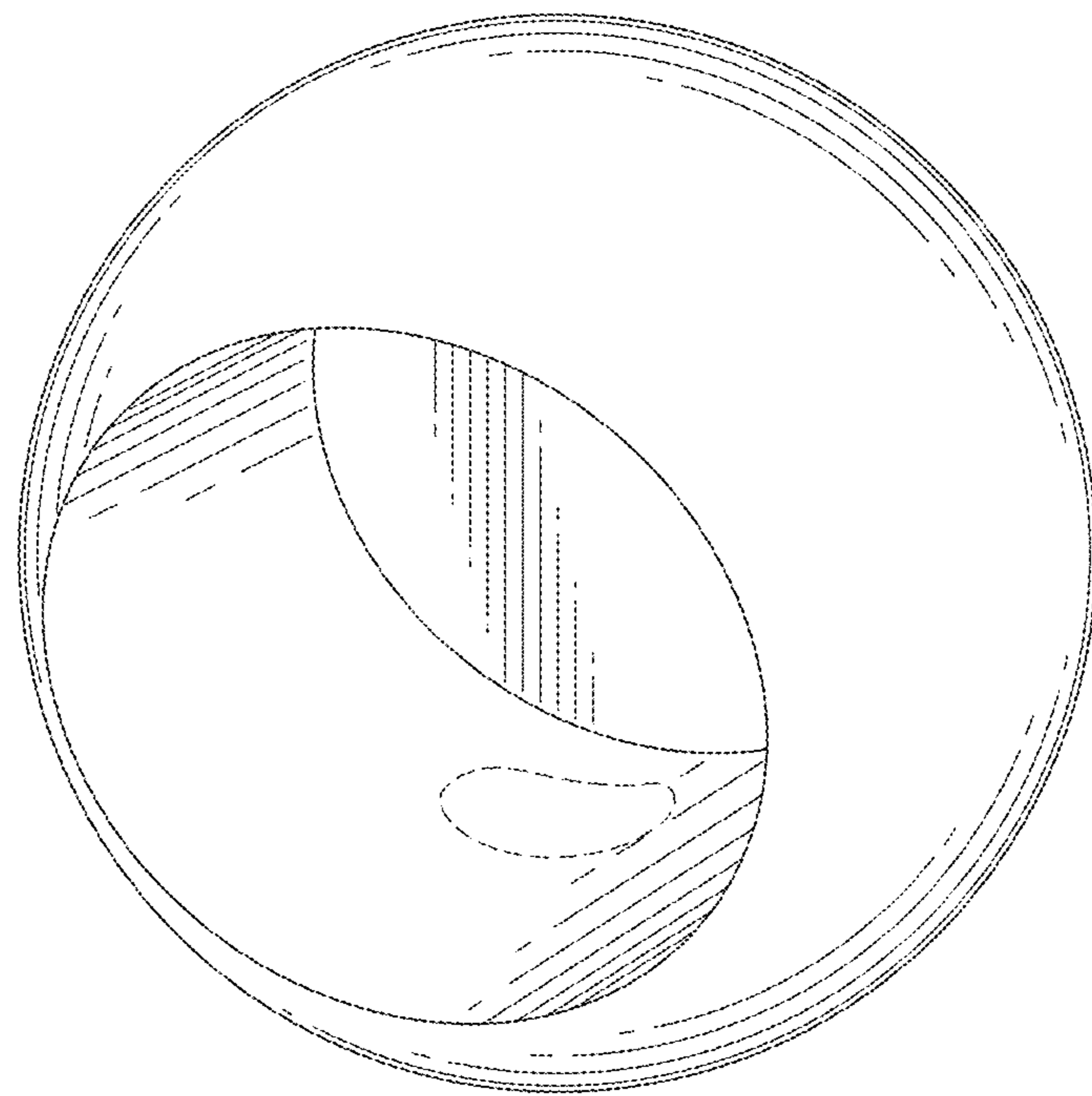


FIG. 7