



US00D733687S

(12) **United States Design Patent**  
**Stockwell**

(10) **Patent No.:** **US D733,687 S**

(45) **Date of Patent:** **\*\* Jul. 7, 2015**

(54) **REMOTE CONTROL PROTECTIVE CASE**

(71) Applicant: **Christopher James Stockwell**, San Clemente, CA (US)

(72) Inventor: **Christopher James Stockwell**, San Clemente, CA (US)

(\*\*) Term: **14 Years**

(21) Appl. No.: **29/442,148**

(22) Filed: **Dec. 21, 2012**

(51) **LOC (10) Cl.** ..... **14-03**

(52) **U.S. Cl.**  
USPC ..... **D14/218**

(58) **Field of Classification Search**  
USPC ..... D14/138 R, 218, 144, 250, 147, 140;  
D3/218, 269, 215, 219, 226, 228, 301,  
D3/272-273; 224/191, 240, 241, 245,  
224/682-683; 248/206.2-206.4, 220.21,  
248/279.1, 309.1

See application file for complete search history.

(56) **References Cited**

**U.S. PATENT DOCUMENTS**

D333,135 S *	2/1993	Wachob et al. ....	D14/138 R
D357,918 S *	5/1995	Doria .....	D14/218
D380,752 S *	7/1997	Hanson .....	D14/144
D394,264 S *	5/1998	Sakamoto et al. ....	D14/218
D464,336 S *	10/2002	Glodava et al. ....	D14/218
D470,840 S *	2/2003	Skjoth .....	D14/250
D489,047 S *	4/2004	Lockett .....	D14/144
D515,310 S *	2/2006	Liu et al. ....	D3/218
D517,531 S *	3/2006	Lai .....	D14/218
D527,176 S *	8/2006	Andre et al. ....	D3/218
D540,539 S *	4/2007	Gutierrez .....	D3/269
D543,197 S *	5/2007	Loughnane .....	D14/218
D580,406 S *	11/2008	Paradise et al. ....	D14/147
D597,089 S *	7/2009	Khan et al. ....	D14/250
D609,463 S *	2/2010	Bullen .....	D3/218
D618,216 S *	6/2010	Constin et al. ....	D14/218

D619,130 S *	7/2010	Fellig .....	D14/250
D619,573 S *	7/2010	Khan et al. ....	D14/250
D642,169 S *	7/2011	Andre et al. ....	D14/250

**FOREIGN PATENT DOCUMENTS**

CN 300808027 \* 7/2008

**OTHER PUBLICATIONS**

Book of Joe Glow in the Dark Remote Control Cover; Announced Nov. 3, 2006; [Site Visited Mar. 17, 2015] [http://www.bookofjoe.com/2006/11/glowinthedark\\_r.html](http://www.bookofjoe.com/2006/11/glowinthedark_r.html).\*

Nokia 6230 / 6230i Glisterend Crystal Hoesje, Announced Nov. 15, 2010; [Site Visited Mar. 15, 2015] <http://www.mytrendyphone.nl/shop/nokia-6230-6230i-5616p.html>.\*

\* cited by examiner

*Primary Examiner* — Eric Goodman

*Assistant Examiner* — Luqman McNeil

(57) **CLAIM**

The ornamental design for a remote control protective case, as shown & described.

**DESCRIPTION**

FIG. 1 is a front perspective view of a remote control protective case showing my new design in conjunction with a TV remote control;

FIG. 2 is a rear perspective view thereof;

FIG. 3 is a top plan view thereof;

FIG. 4 is a front elevation view thereof;

FIG. 5 is a left side view thereof;

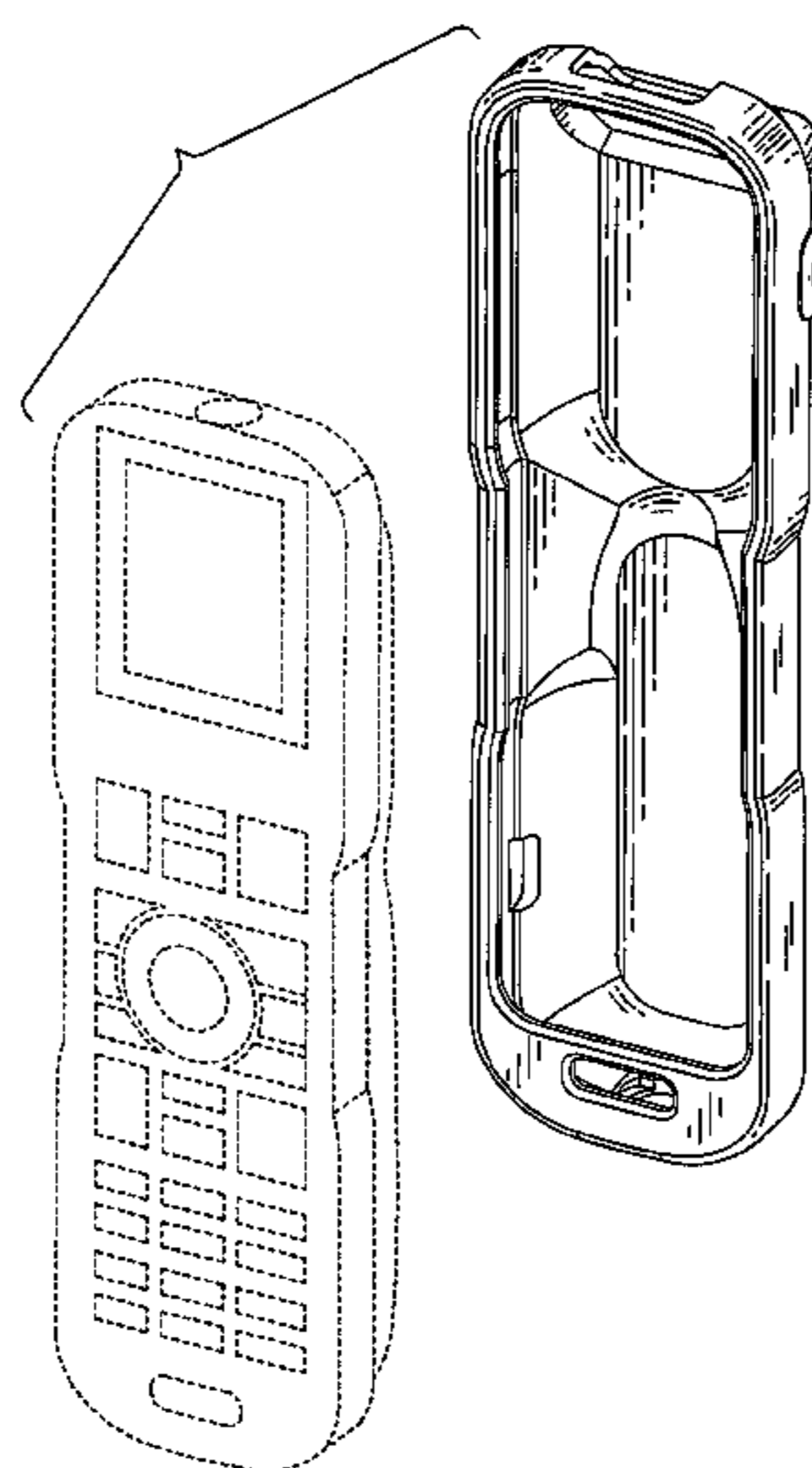
FIG. 6 is bottom plan view;

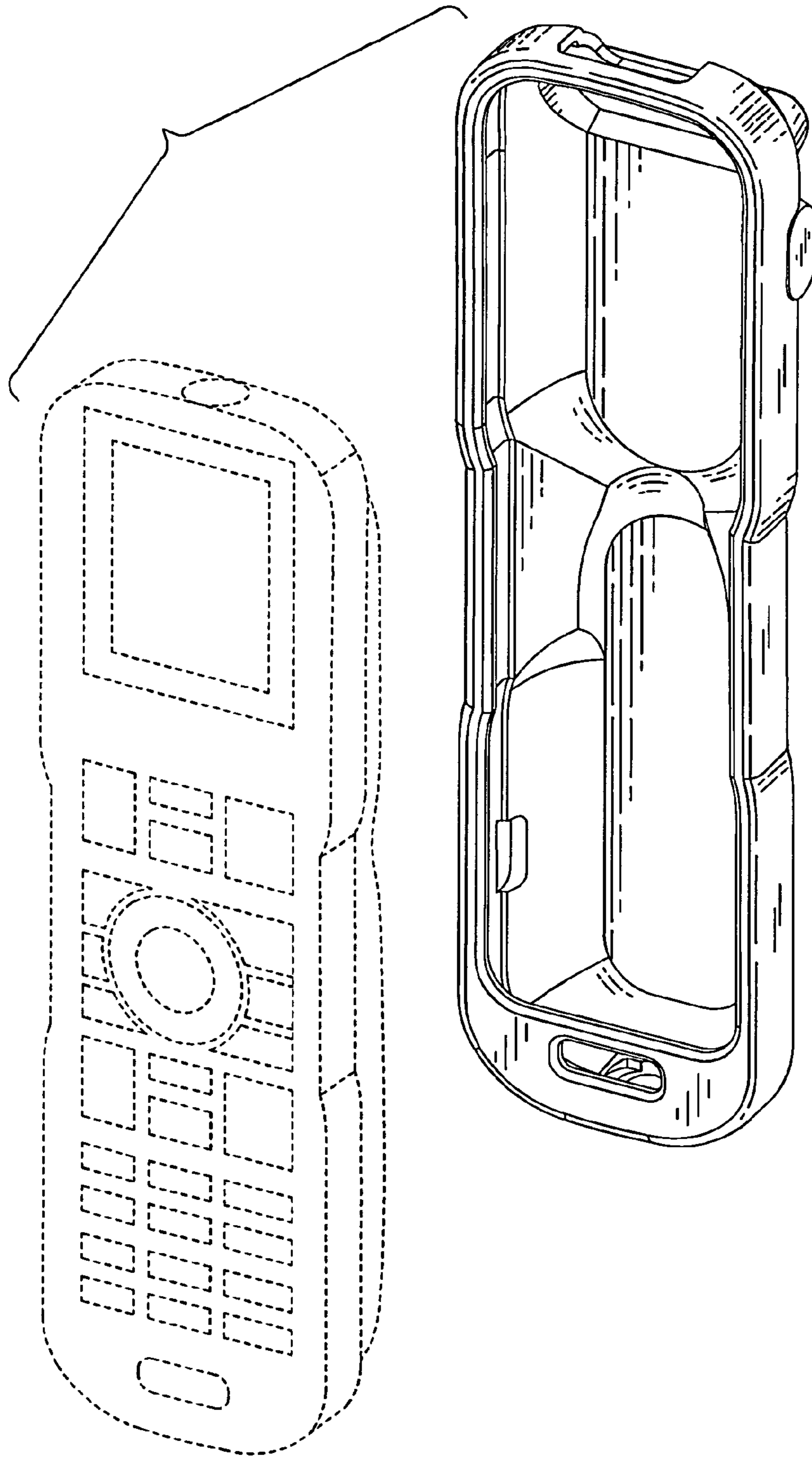
FIG. 7 is a rear elevation view thereof; and,

FIG. 8 is right side view thereof.

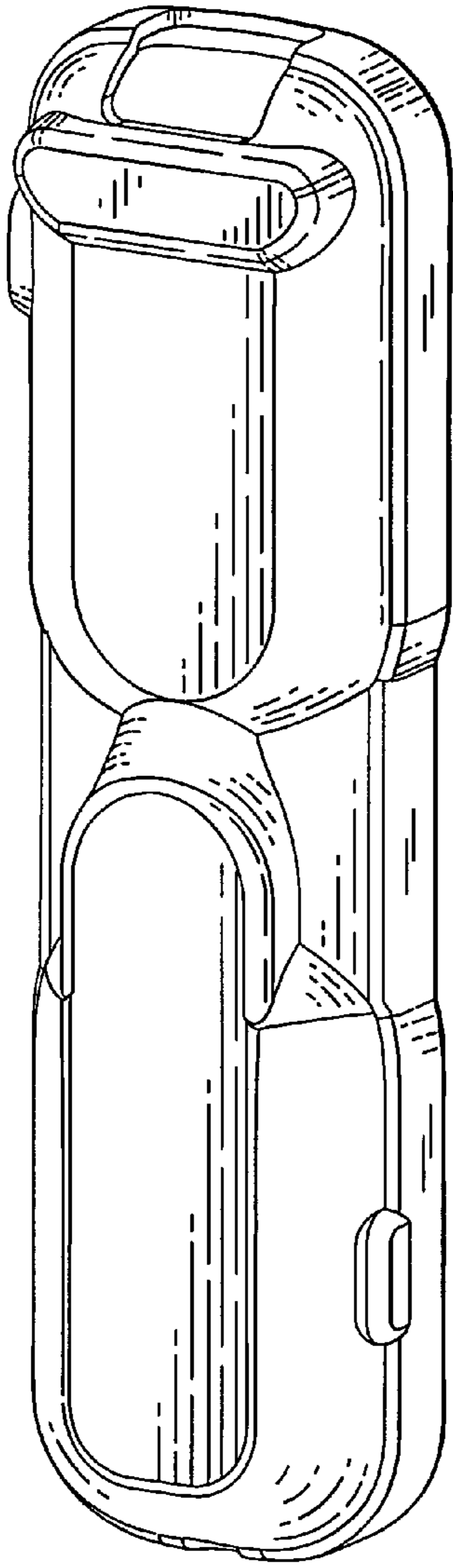
The broken line showing is included for the purpose of illustrating environment and forms no part of the claimed design.

**1 Claim, 3 Drawing Sheets**

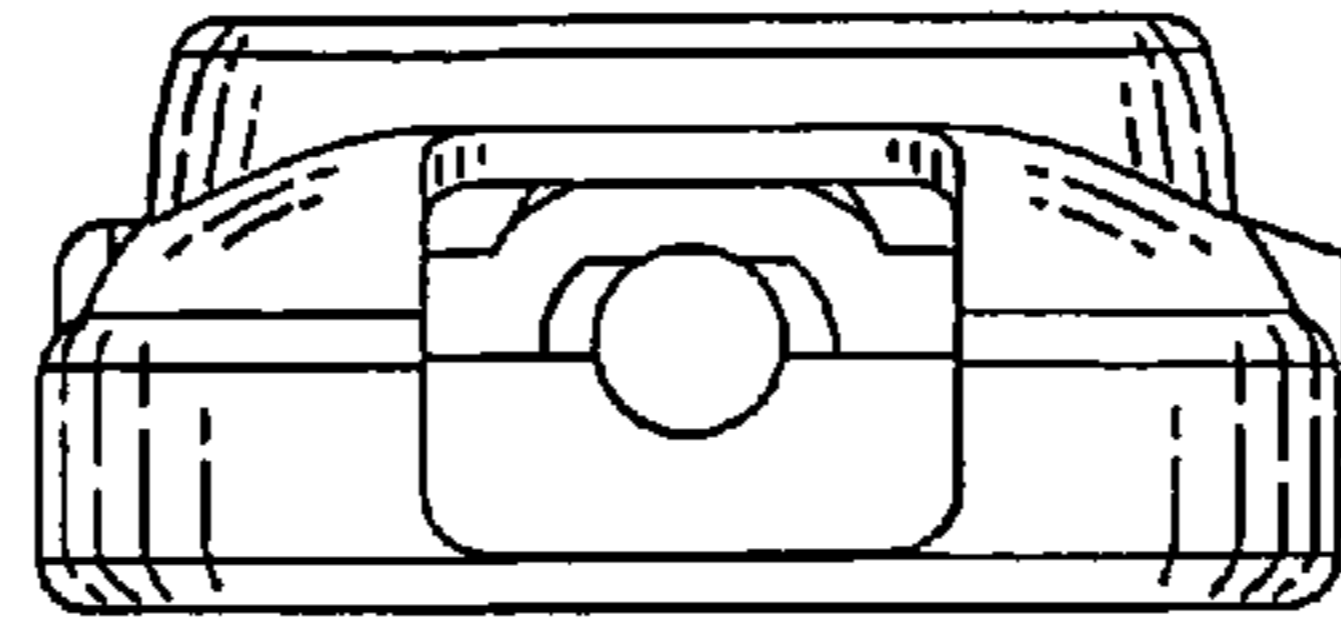




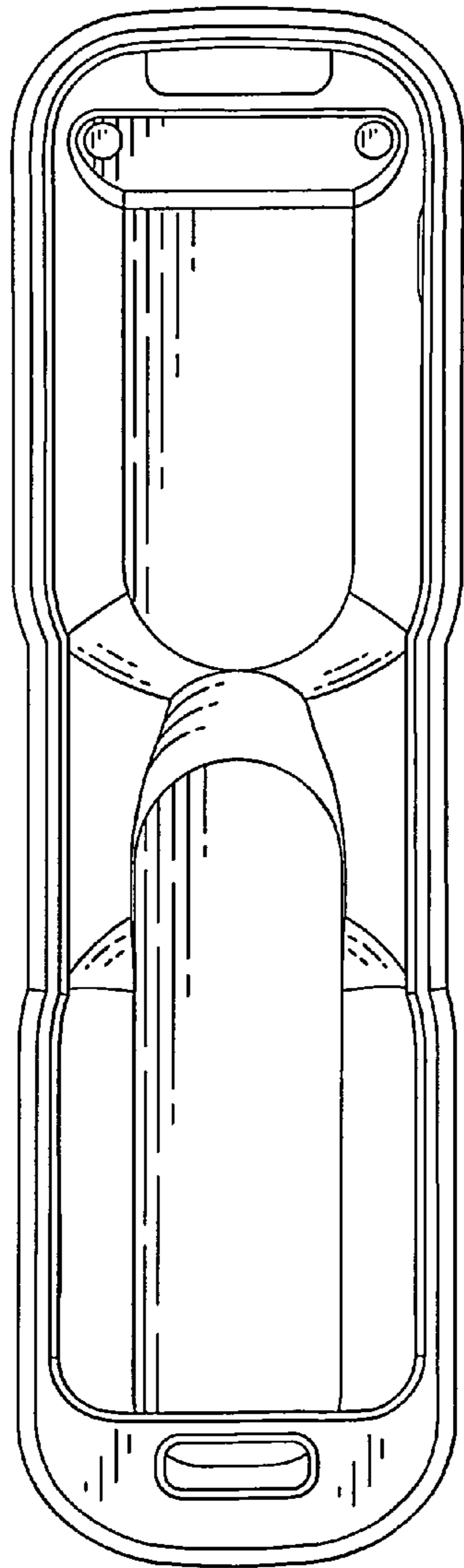
*Fig. 1*



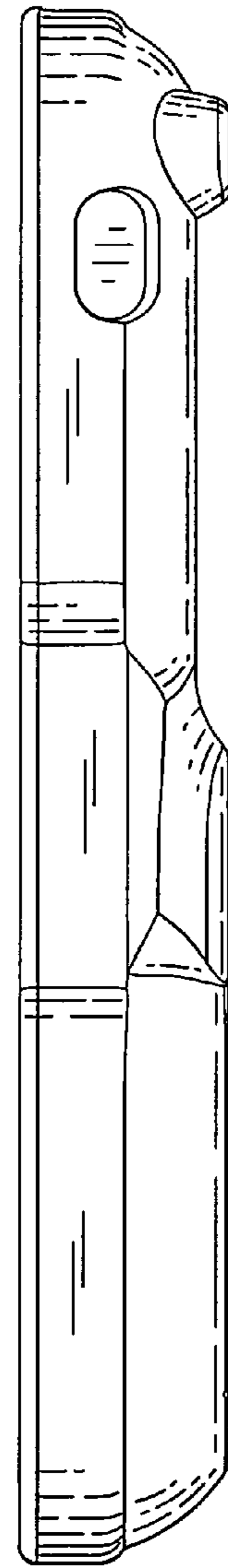
*Fig. 2*



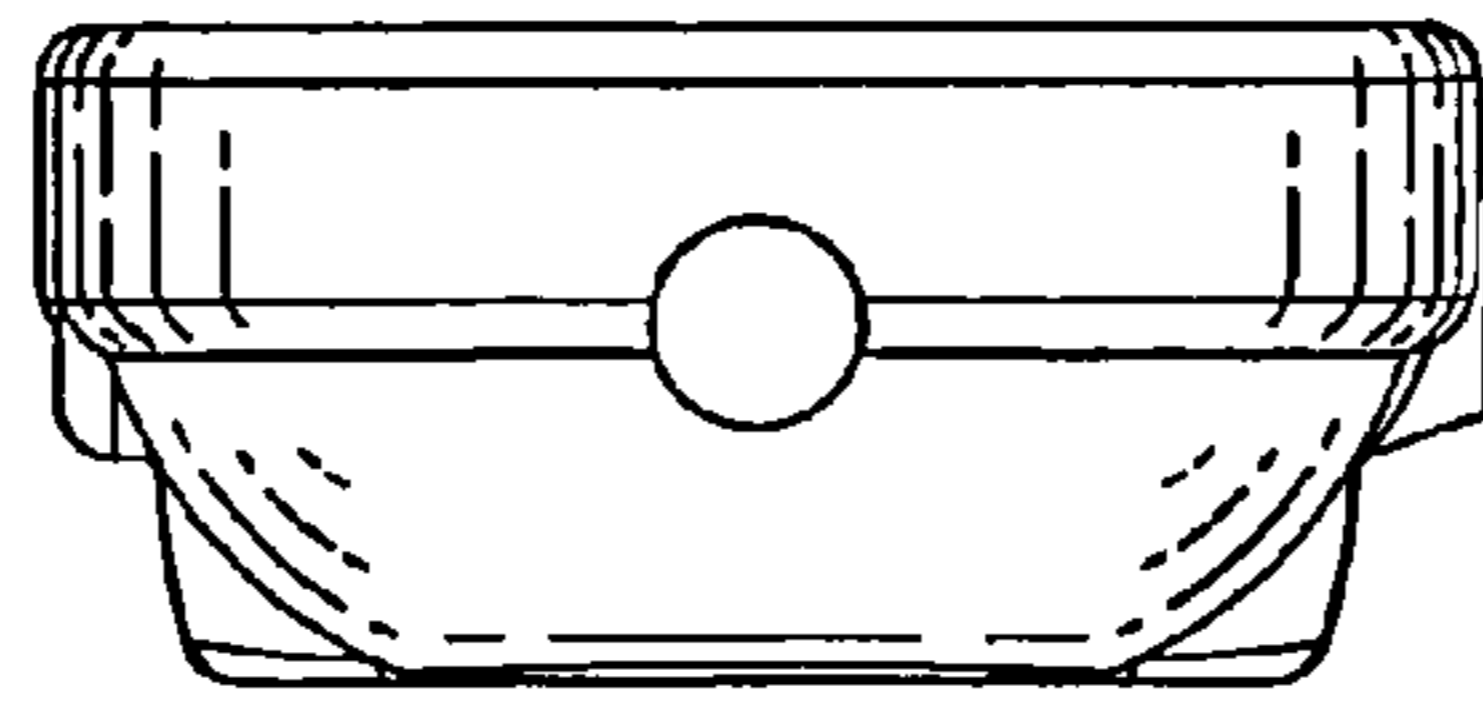
*Fig. 3*



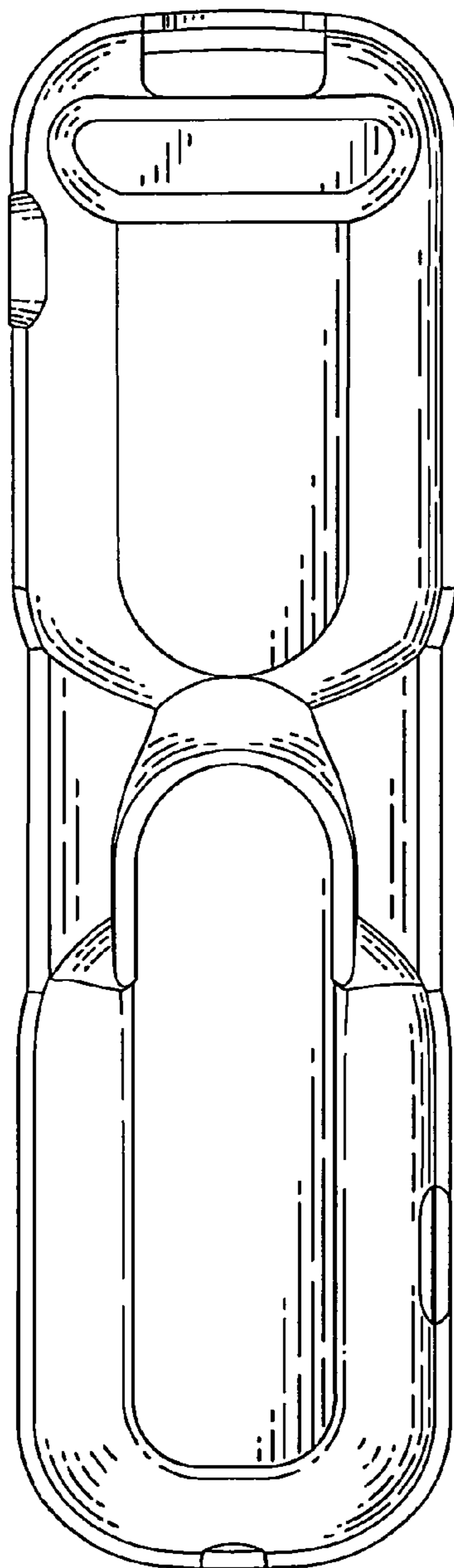
*Fig. 4*



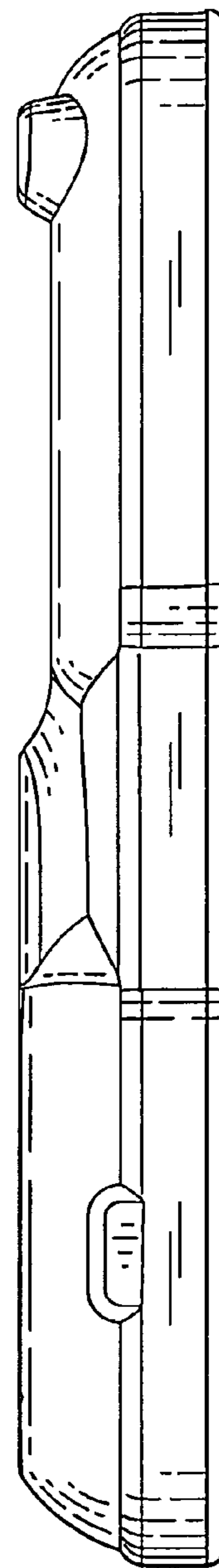
*Fig. 5*



*Fig. 6*



*Fig. 7*



*Fig. 8*