



US00D733685S

(12) **United States Design Patent**
Izen et al.

(10) **Patent No.:** **US D733,685 S**
(45) **Date of Patent:** **** Jul. 7, 2015**

(54) **AUDIO ADAPTER**

(71) Applicant: **FIRST ACT, INC.**, Boston, MA (US)
(72) Inventors: **Mark S. Izen**, Chestnut Hill, MA (US);
Craig Small, Framingham, MA (US)
(73) Assignee: **First Act, Inc.**, Boston, MA (US)
(**) Term: **14 Years**

(21) Appl. No.: **29/441,447**

(22) Filed: **Jan. 4, 2013**

(51) **LOC (10) Cl.** **14-99**

(52) **U.S. Cl.**
USPC **D14/217**

(58) **Field of Classification Search**
USPC D13/133, 146, 147, 154, 184, 199;
D14/140, 217, 299, 480.5, 480.7, 483;
381/17, 95-98, 124, 303, 338;
439/180, 246, 252, 283, 374, 378, 380,
439/381, 892, 894

See application file for complete search history.

(56) **References Cited**

U.S. PATENT DOCUMENTS

6,626,706	B2 *	9/2003	Siddiqui et al.	439/668
6,964,586	B2 *	11/2005	Siddiqui	439/669
D560,166	S *	1/2008	Andre et al.	D13/133
D586,295	S *	2/2009	Zhao et al.	D13/133
D596,569	S *	7/2009	Lin	D13/133
D618,226	S *	6/2010	Tong et al.	D14/240
D619,127	S *	7/2010	Tong et al.	D14/240
D619,570	S *	7/2010	Tong et al.	D14/240

OTHER PUBLICATIONS

U.S. Appl. No. 29/441,446, filed Jan. 4, 2013.
Amazon Product Listing—3.5mm Jack Splitter, <<http://www.amazon.com/Unknown-23-3-5mm-Headphone-Splitter/dp/B001E3ZM8M>>, dated Aug. 11, 2008, accessed Apr. 22, 2013.
Amazon Product Listing—RCA Audio Splitter Adapter (3.5mm Male to 2 RCA Female) (Stereo), <http://www.amazon.com/Audio-Splitter-Adapter-Female-Stereo/dp/B001TKBOJG/ref=pd_sim_e_6>, dated Oct. 11, 2008, accessed Apr. 22, 2013.

* cited by examiner

Primary Examiner — Ian Simmons

Assistant Examiner — Khawaja Anwar

(74) *Attorney, Agent, or Firm* — Lando & Anastasi, LLP

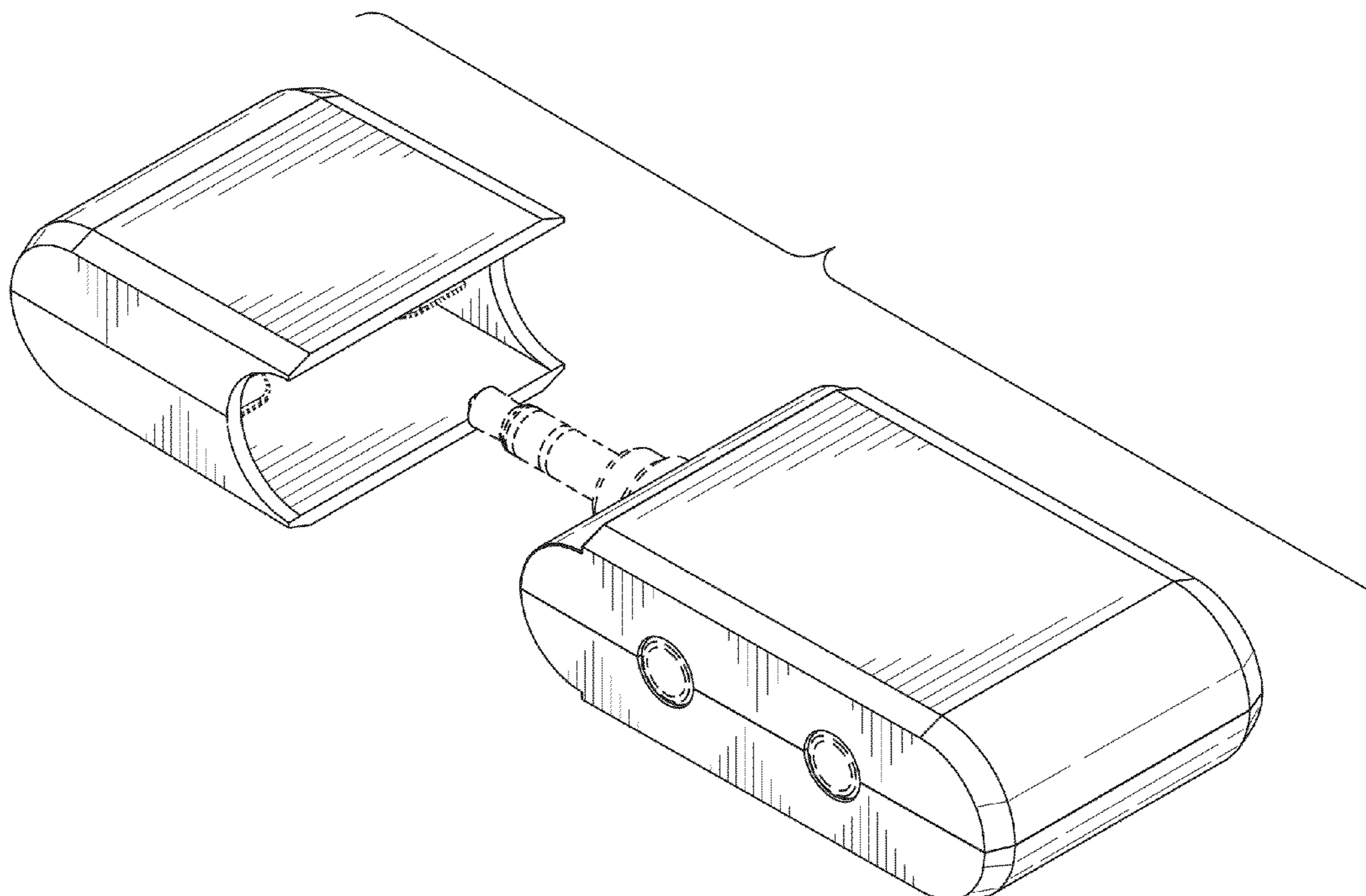
(57) **CLAIM**

The ornamental design for an audio adapter, as shown and described.

DESCRIPTION

FIG. 1 is a perspective view of the audio adapter according to our new design;
FIG. 2 is a top view thereof;
FIG. 3 is a bottom view thereof;
FIG. 4 is a side view as seen from the right side in FIG. 2;
FIG. 5 is a side view as seen from the left side in FIG. 2;
FIG. 6 is a front view thereof; and,
FIG. 7 is a rear view thereof.
The broken lines in the drawings show unclaimed subject matter only and form no part of the claimed design.

1 Claim, 7 Drawing Sheets



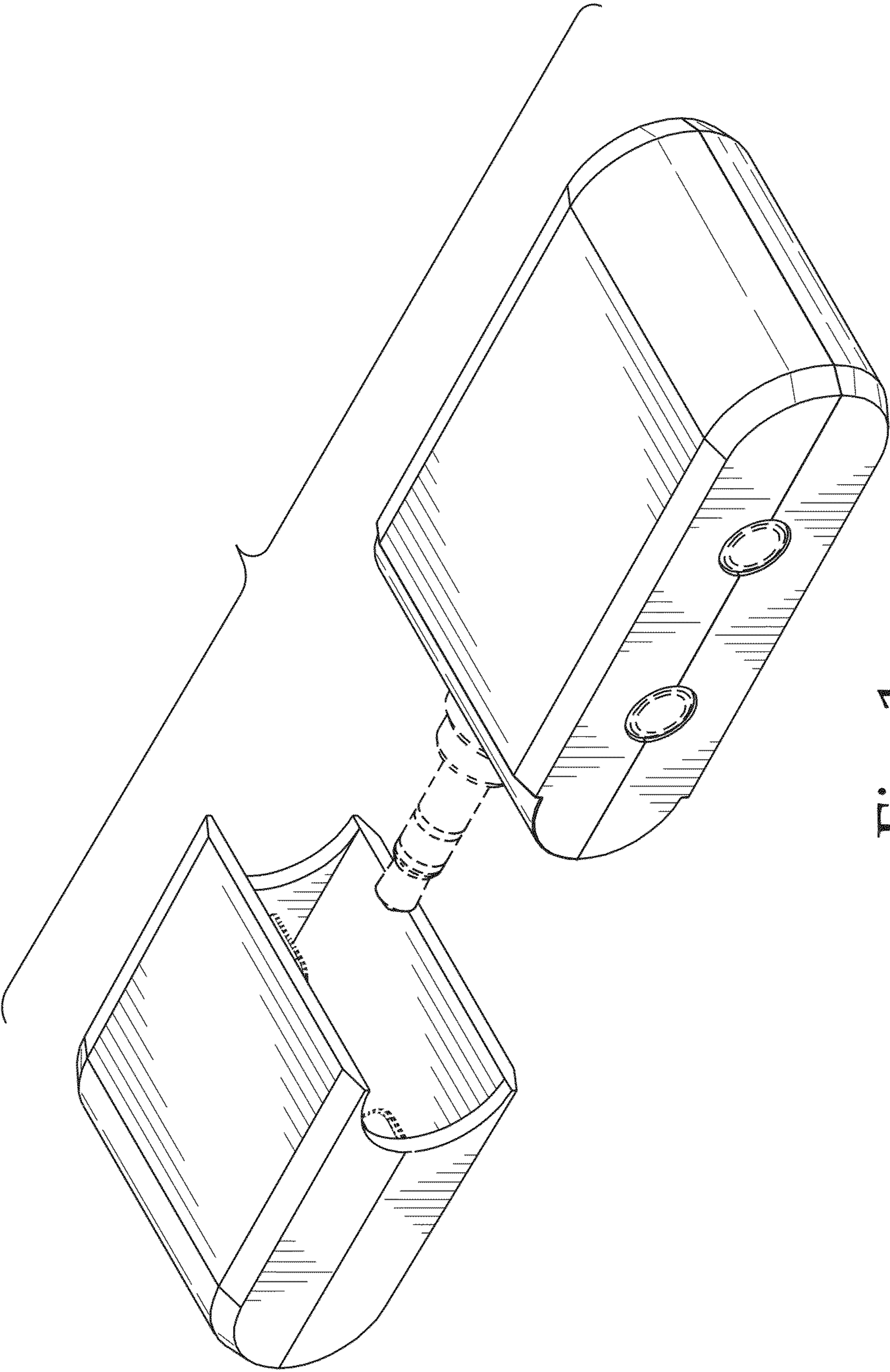


Fig. 1

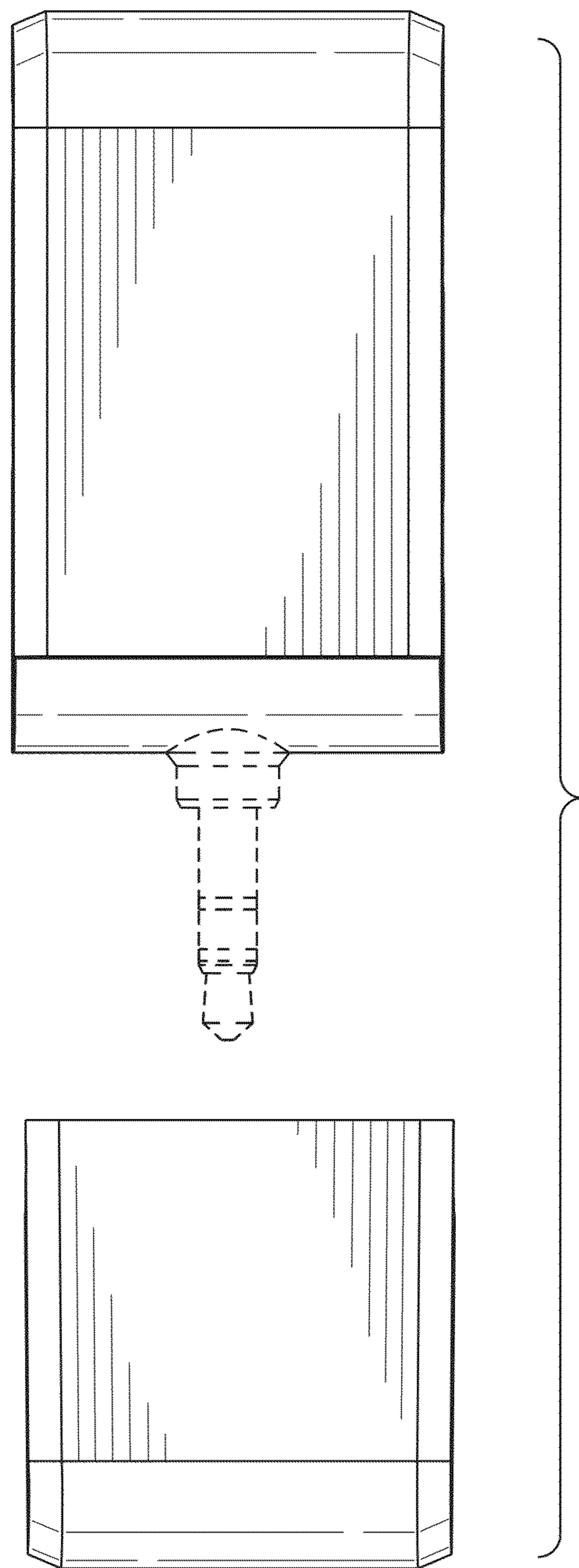


Fig. 2

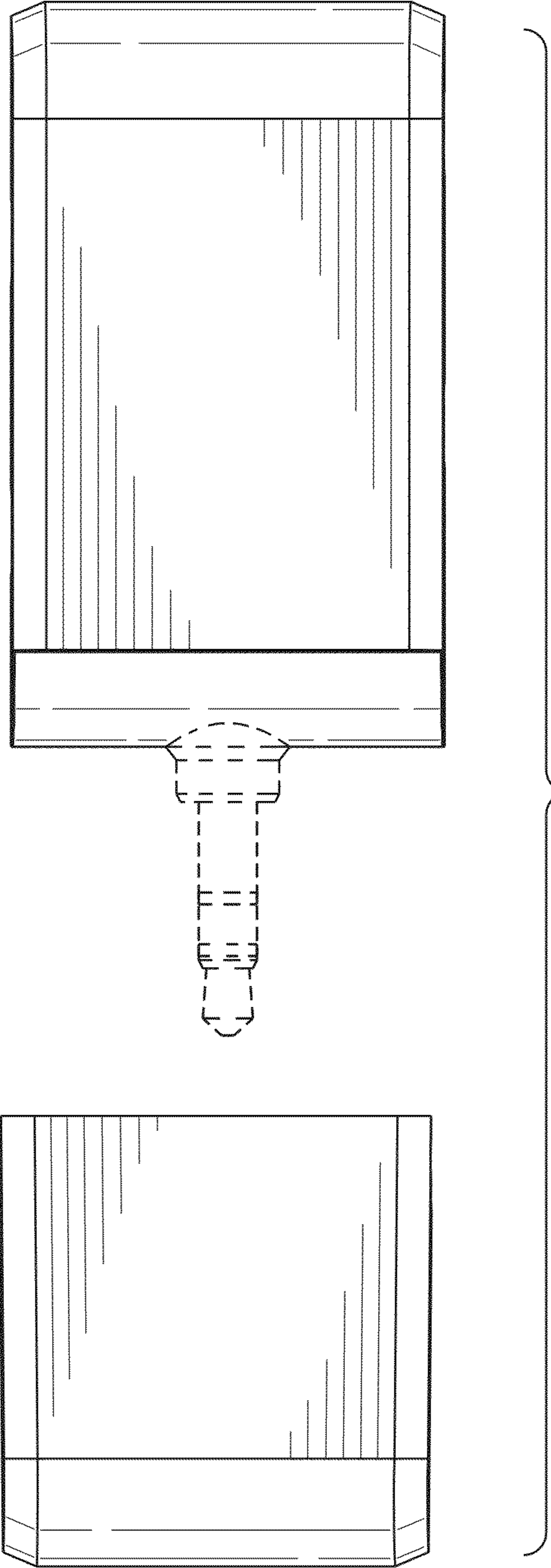


Fig. 3

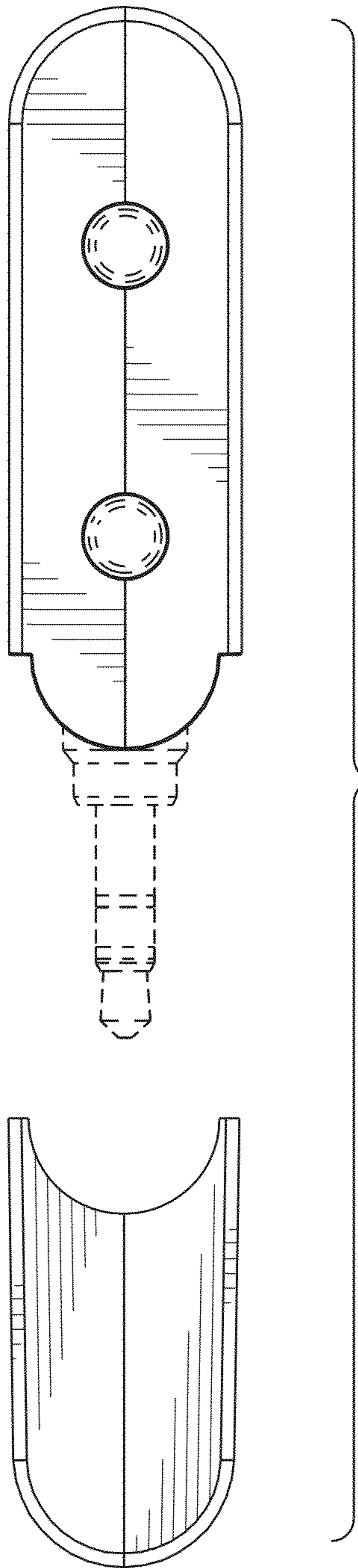


Fig. 4

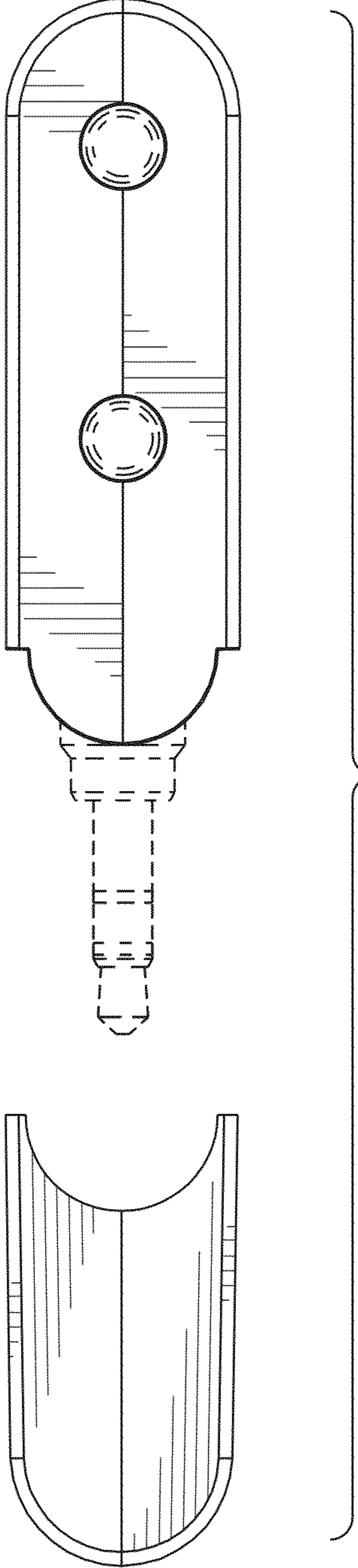


Fig. 5

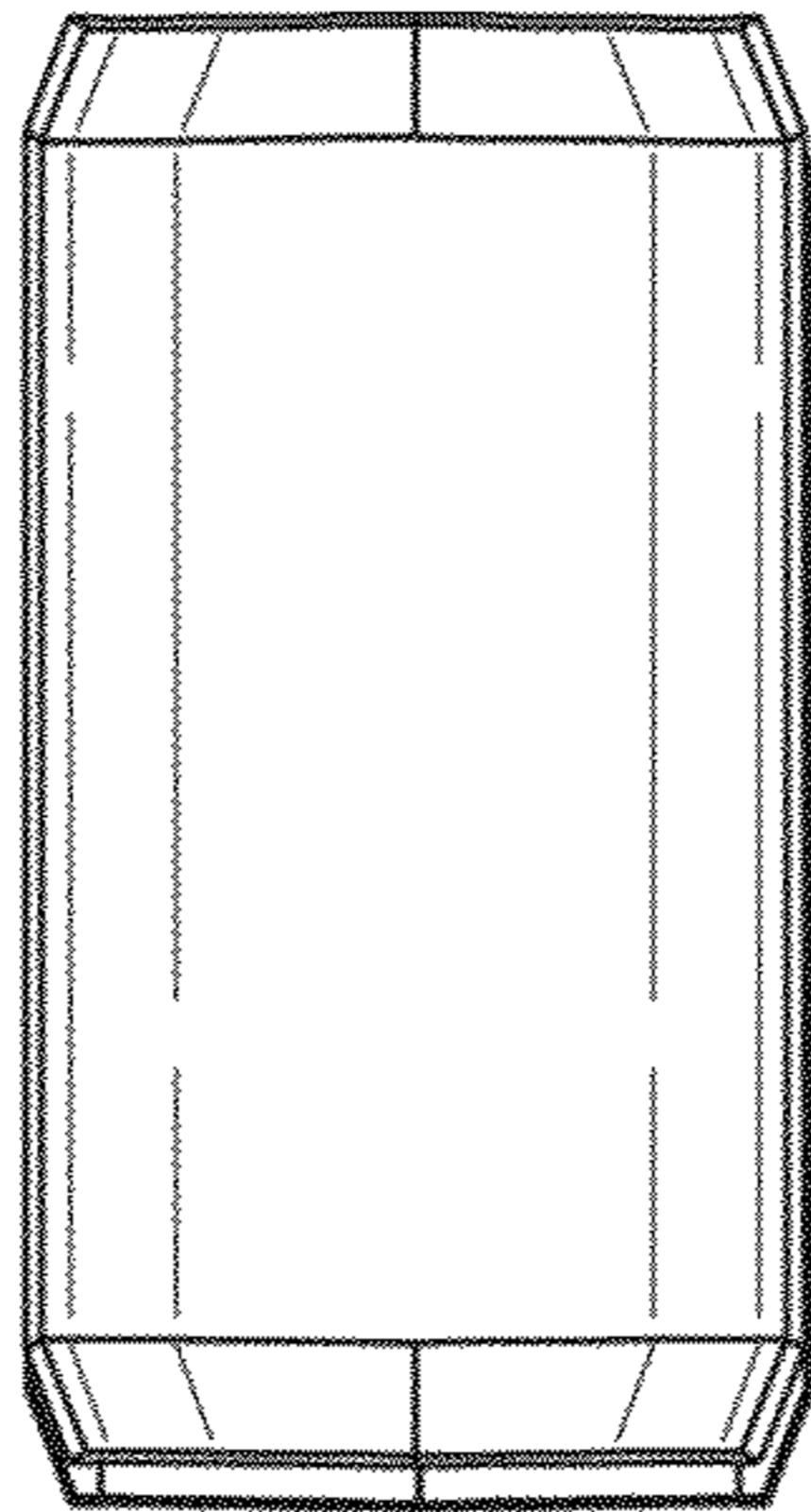


Fig. 6

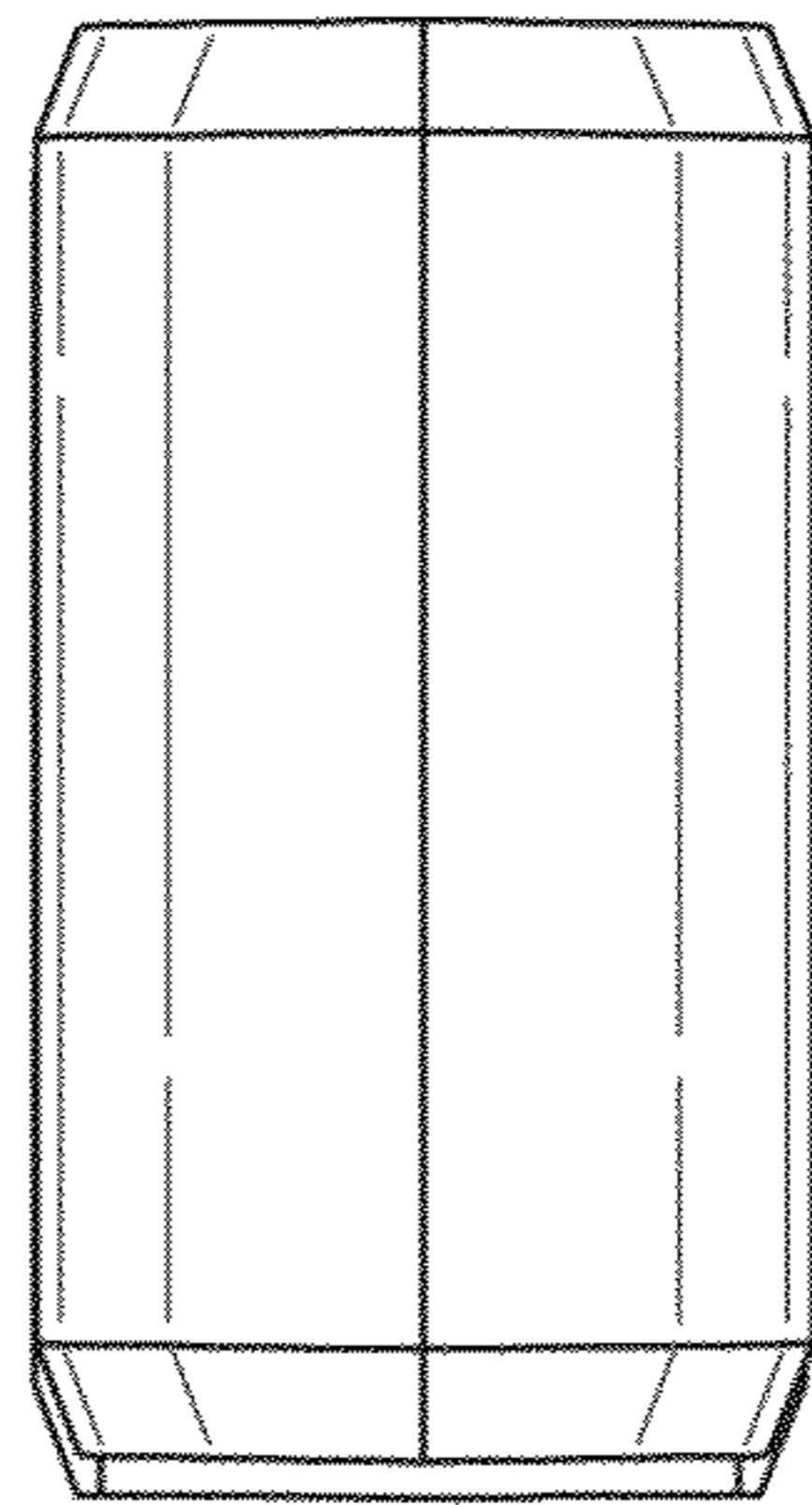


Fig. 7