



US00D733682S

(12) **United States Design Patent**
Kelly et al.

(10) **Patent No.:** **US D733,682 S**
(45) **Date of Patent:** **** Jul. 7, 2015**

(54) **PORTABLE SPEAKER**

(71) Applicants: **Peter M. Kelly**, Park City, UT (US);
Donald C. Stiff, Salt Lake City, UT (US)

(72) Inventors: **Peter M. Kelly**, Park City, UT (US);
Donald C. Stiff, Salt Lake City, UT (US)

(73) Assignee: **Skullcandy, Inc.**, Park City, UT (US)

(**) Term: **14 Years**

(21) Appl. No.: **29/468,012**

(22) Filed: **Sep. 25, 2013**

(51) **LOC (10) Cl.** **14-03**

(52) **U.S. Cl.**
USPC **D14/215**

(58) **Field of Classification Search**
USPC D14/167, 168, 170-172, 188, 194-196,
D14/204, 207, 209.1, 210-216, 219, 221,
D14/222, 224, 496; 181/143, 144, 147, 148,
181/150, 153, 157, 198, 199; 381/300-303,
381/306, 332, 333, 336, 345, 361-364,
381/386-388; 369/6-12
CPC B60R 11/0217; G06F 1/1688; H04M 1/03;
H04M 1/035; H04R 1/02; H04R 1/06; H04R
1/021; H04R 1/025; H04R 1/026; H04R
1/028; H04R 1/105; H04R 1/323; H04R
1/403; H04R 1/2803; H04R 1/2834; H04R
5/02; H04R 7/20; H04R 9/06; H04R 9/025;
H04R 2201/021; H04R 2400/00; H04R
2400/07; H04R 2499/11; H04R 2499/13;
H04R 2499/15; H04S 3/00; H04S 7/30

See application file for complete search history.

(56) **References Cited**

U.S. PATENT DOCUMENTS

2,437,049 A	3/1948	Salisbury et al.	
2,812,517 A	11/1957	Bogart et al.	
3,454,964 A	7/1969	Brinkhoff	
3,579,640 A	5/1971	Beguin et al.	
3,661,225 A	5/1972	Anderson	
4,302,635 A	11/1981	Jacobsen et al.	
4,459,707 A	7/1984	Stallings	
D301,846 S *	6/1989	Beyer	D14/163
D306,858 S *	3/1990	Zeitman	D14/168
D309,899 S *	8/1990	Kashiwagi	D14/163
D333,137 S	2/1993	Burke	

(Continued)

FOREIGN PATENT DOCUMENTS

CA	2515558 A1	2/2007
CA	2697029 A1	2/2007

(Continued)

Primary Examiner — Keli L Hill

(74) *Attorney, Agent, or Firm* — TraskBritt

(57) **CLAIM**

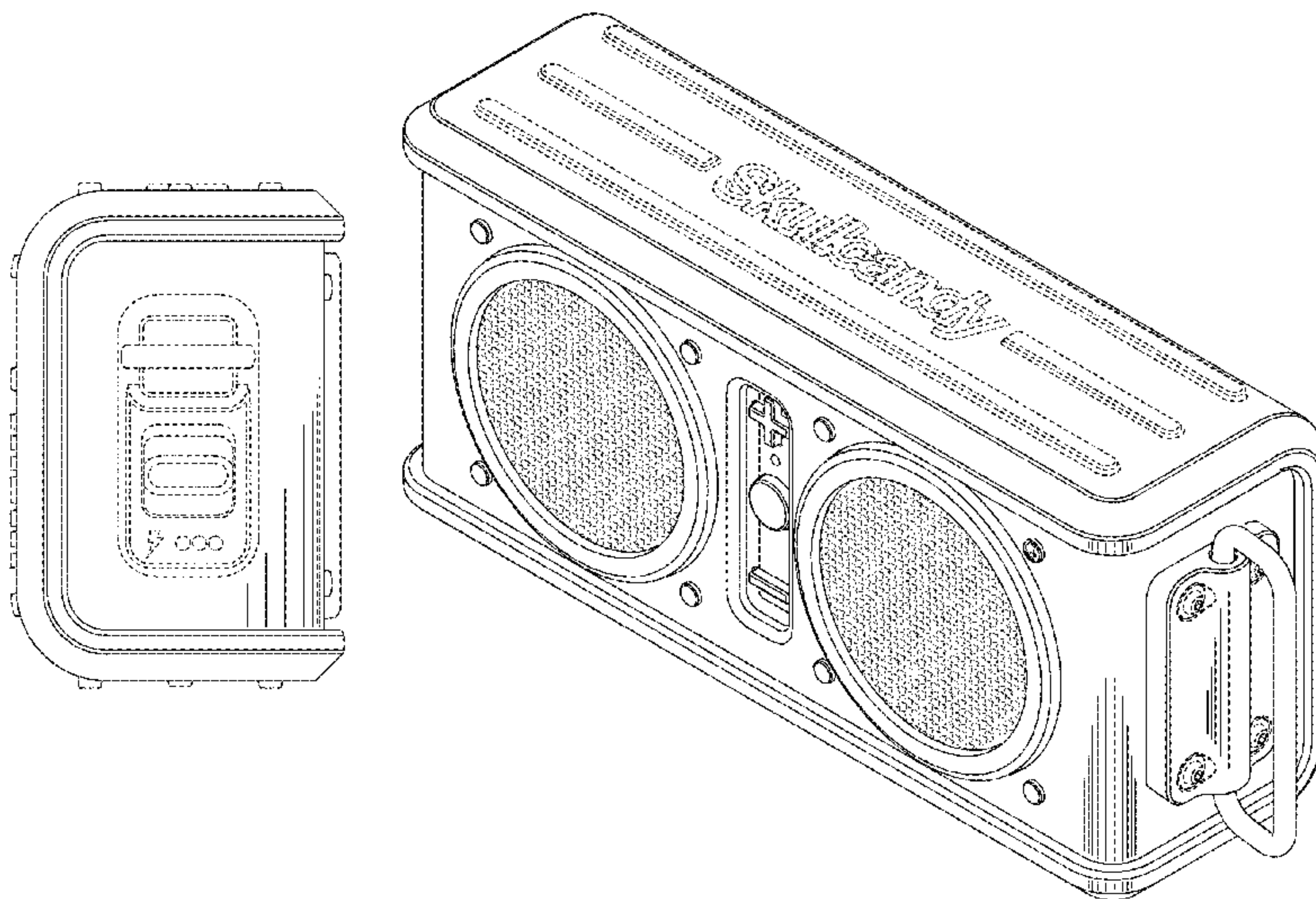
The ornamental design for a portable speaker, as shown and described.

DESCRIPTION

FIG. 1 is a front view of an embodiment of a portable speaker; FIG. 2 is a rear view of the portable speaker shown in FIG. 1; FIG. 3 is a right side view of the portable speaker shown in FIG. 1; FIG. 4 is a left side view of the portable speaker shown in FIG. 1; FIG. 5 is a top view of the portable speaker shown in FIG. 1; FIG. 6 is a bottom view of the portable speaker shown in FIG. 1; and, FIG. 7 is a perspective view of the portable speaker shown in FIG. 1.

The broken lines in FIGS. 1-7 are for environmental purposes only and do not form any part of the claimed design.

1 Claim, 7 Drawing Sheets



(56)

References Cited

U.S. PATENT DOCUMENTS

5,185,807 A 2/1993 Bergin et al.
 D342,520 S * 12/1993 Totsuka D14/170
 D411,200 S 6/1999 Almqvist
 D463,857 S 10/2002 Dix et al.
 7,187,948 B2 3/2007 Alden
 D549,688 S 8/2007 Suzuki
 D573,581 S 7/2008 Gondo et al.
 7,395,090 B2 7/2008 Alden
 D588,098 S 3/2009 Kurihara
 D603,370 S 11/2009 Suzuki
 D623,627 S 9/2010 Alden et al.
 D624,057 S 9/2010 Kelly et al.
 D634,731 S 3/2011 Morisawa
 D634,732 S 3/2011 Kondo et al.
 D641,003 S 7/2011 Alden
 D641,725 S 7/2011 Chong et al.
 8,014,824 B2 9/2011 Alden
 D650,356 S 12/2011 Alden et al.
 D656,129 S 3/2012 Kelly et al.
 D657,346 S 4/2012 Park
 D660,283 S * 5/2012 Joseph D14/168
 D662,080 S 6/2012 Carr et al.
 D662,490 S 6/2012 McSweyn
 D664,116 S 7/2012 Hutchieson
 D664,117 S 7/2012 Tappeiner et al.
 D664,118 S 7/2012 Tappeiner et al.
 D665,776 S 8/2012 Alden et al.
 D665,777 S 8/2012 Alden et al.
 D673,136 S 12/2012 Kelly et al.
 D673,140 S 12/2012 Kelly et al.
 D674,372 S 1/2013 Kelly et al.
 D674,376 S 1/2013 Kelly et al.
 D676,023 S 2/2013 Kelly et al.
 D676,024 S 2/2013 Kelly et al.

D677,241 S 3/2013 Kelly et al.
 D678,863 S * 3/2013 Inada D14/209.1
 D683,717 S 6/2013 Kelly et al.
 D685,759 S 7/2013 Kelly et al.
 D685,767 S 7/2013 Kelly et al.
 D689,464 S 9/2013 Bonahoom et al.
 D691,582 S 10/2013 Nguyen et al.
 D692,855 S * 11/2013 Hawes D14/209.1
 D693,793 S 11/2013 Kelly et al.
 D699,216 S 2/2014 Bonahoom et al.
 D701,193 S 3/2014 Kelly et al.
 D701,196 S 3/2014 Kelly et al.
 D701,197 S 3/2014 Kelly et al.
 2007/0142025 A1 6/2007 Alden
 2008/0267440 A1 10/2008 Alden
 2011/0164776 A1 7/2011 Kelly et al.
 2011/0235819 A1 9/2011 Alden
 2012/0128172 A1 5/2012 Alden
 2012/0275615 A1 11/2012 Kelly et al.
 2013/0118944 A1 5/2013 Niiro et al.
 2013/0130540 A1 5/2013 Oman et al.
 2013/0177165 A1 7/2013 Oishi
 2013/0177195 A1 7/2013 Sze et al.
 2013/0185905 A1 7/2013 Stiff et al.
 2013/0208909 A1 8/2013 Mülder et al.
 2013/0336514 A1 12/2013 Kelly et al.
 2014/0056459 A1 2/2014 Oishi et al.

FOREIGN PATENT DOCUMENTS

EP 1760896 9/2010
 EP 2262117 12/2010
 WO 2010-068495 6/2010
 WO 2010124190 10/2010
 WO 2011085096 7/2011
 WO 2012024656 2/2012

* cited by examiner

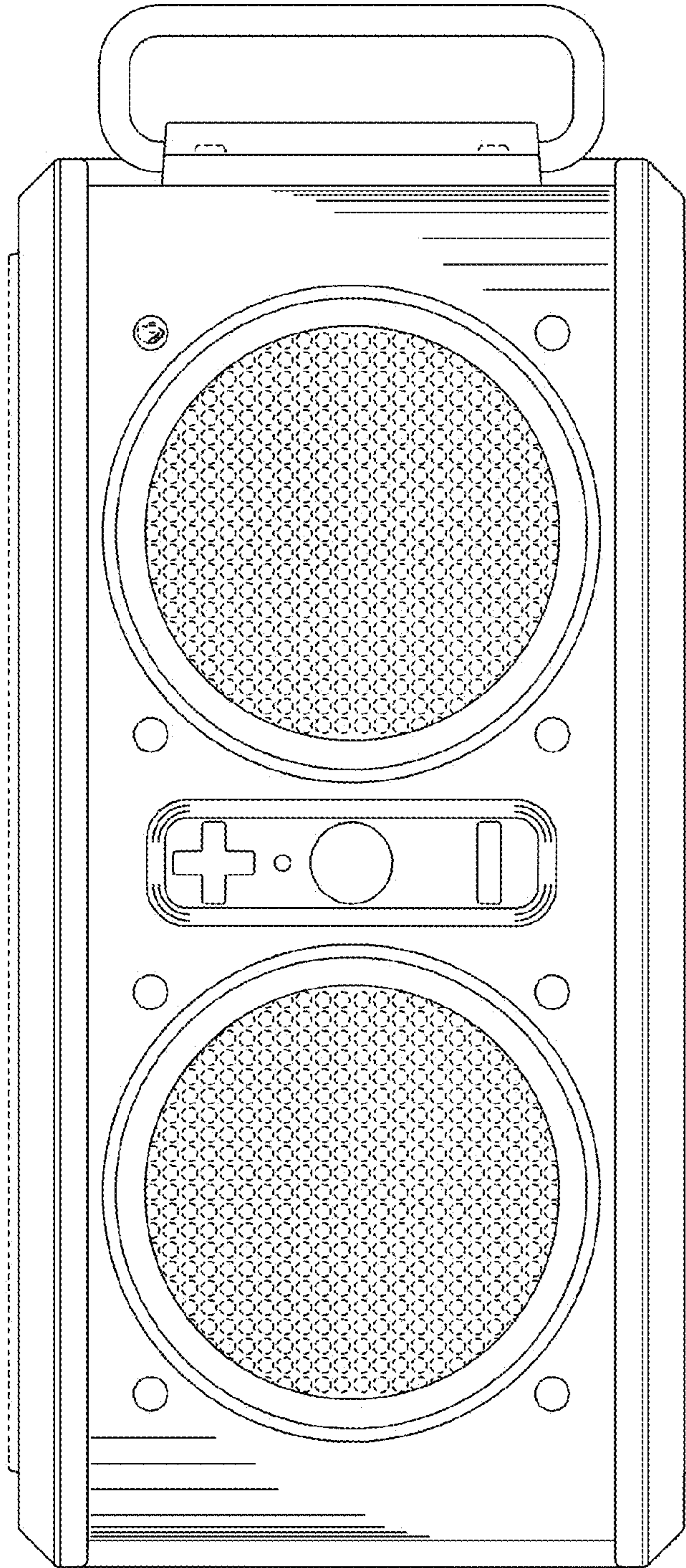


FIGURE 1

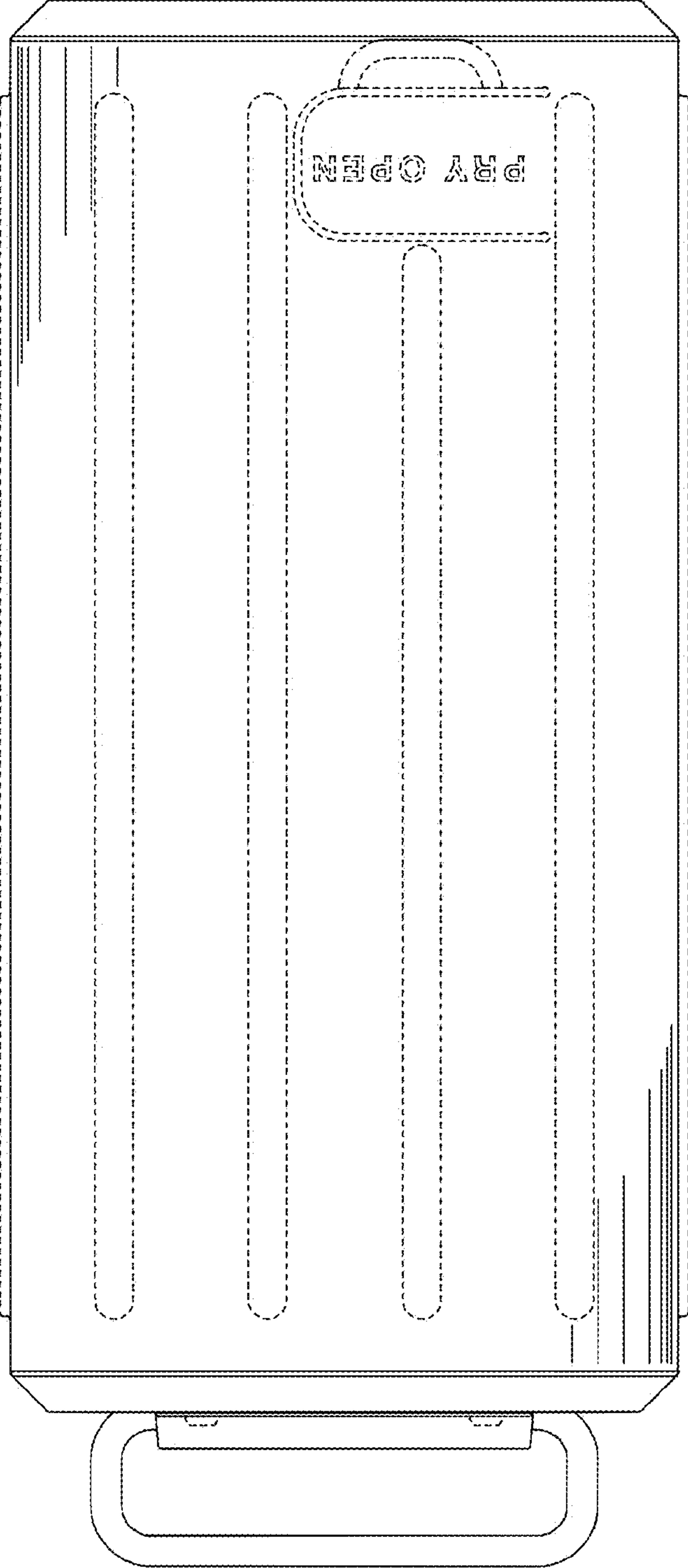


FIGURE 2

FIGURE 3

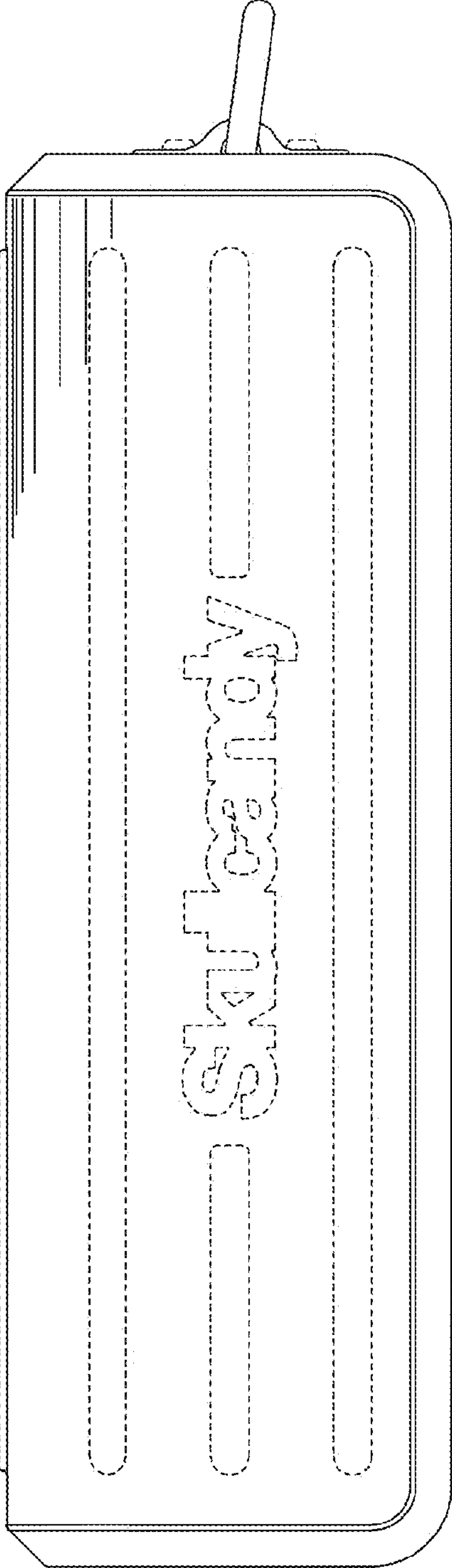
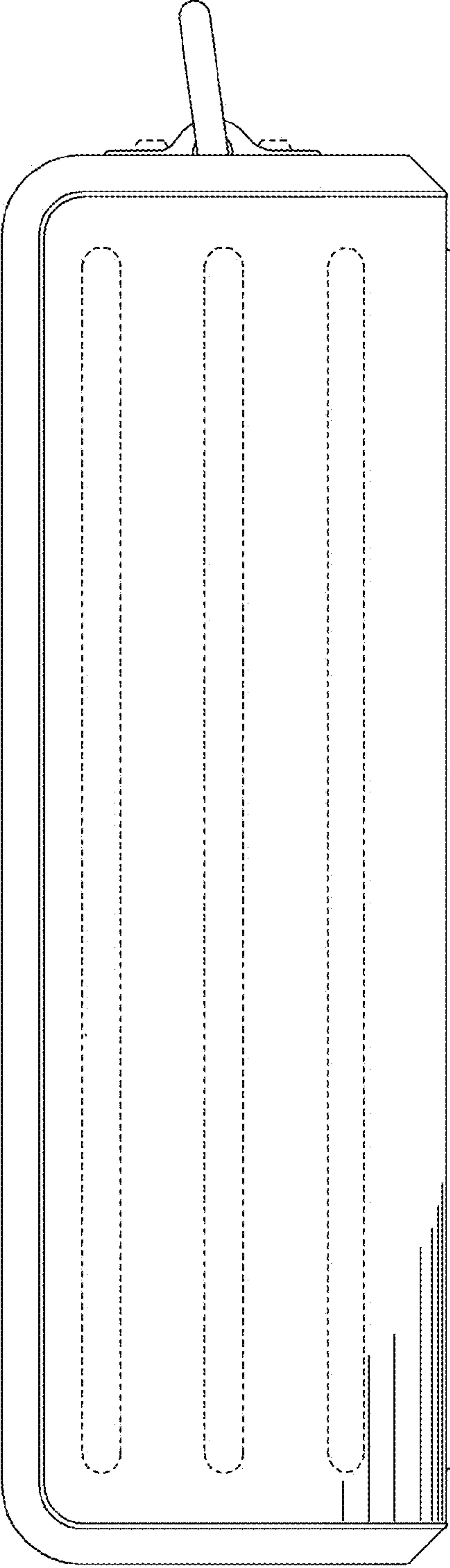


FIGURE 4



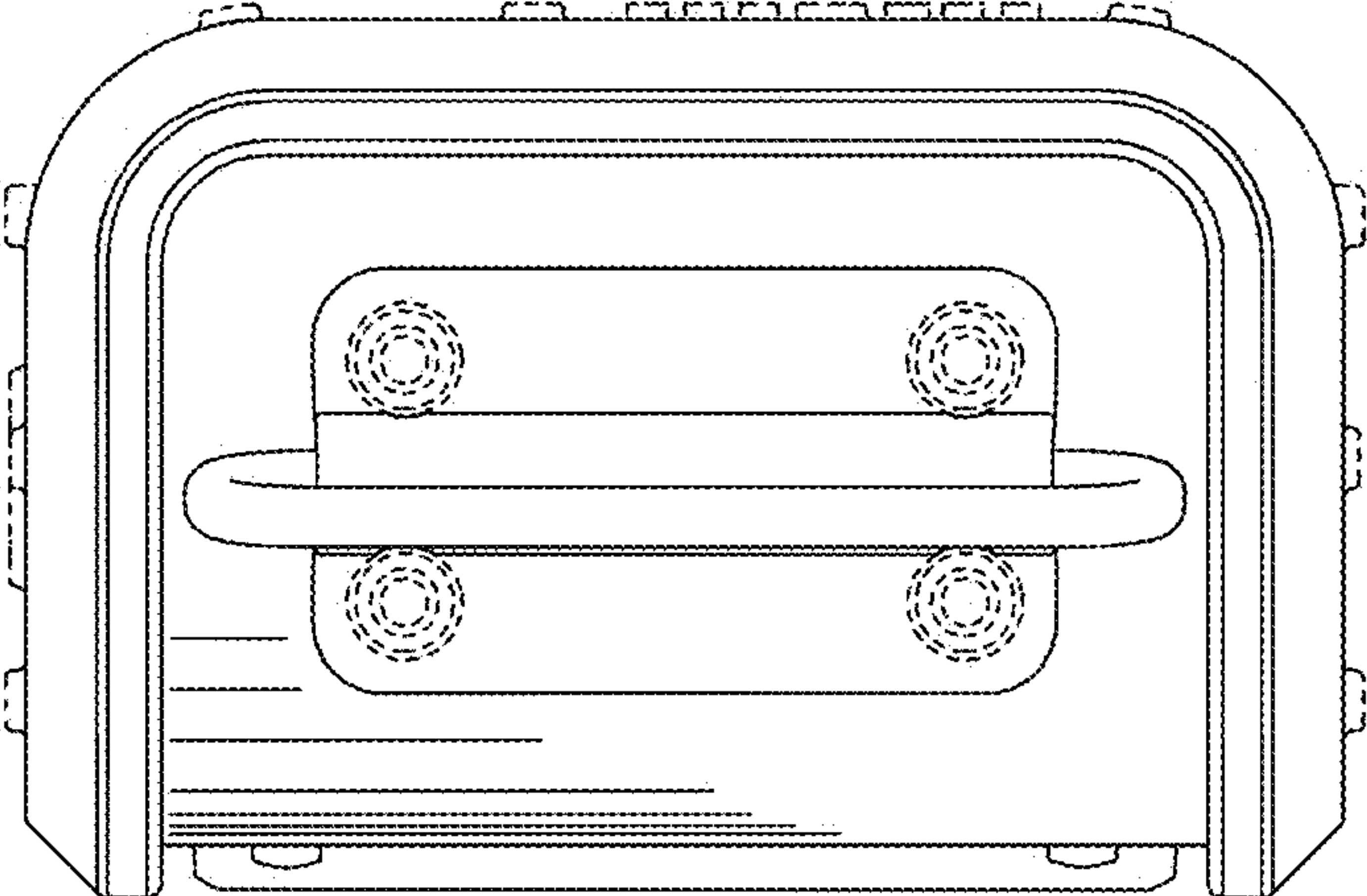


FIGURE 5

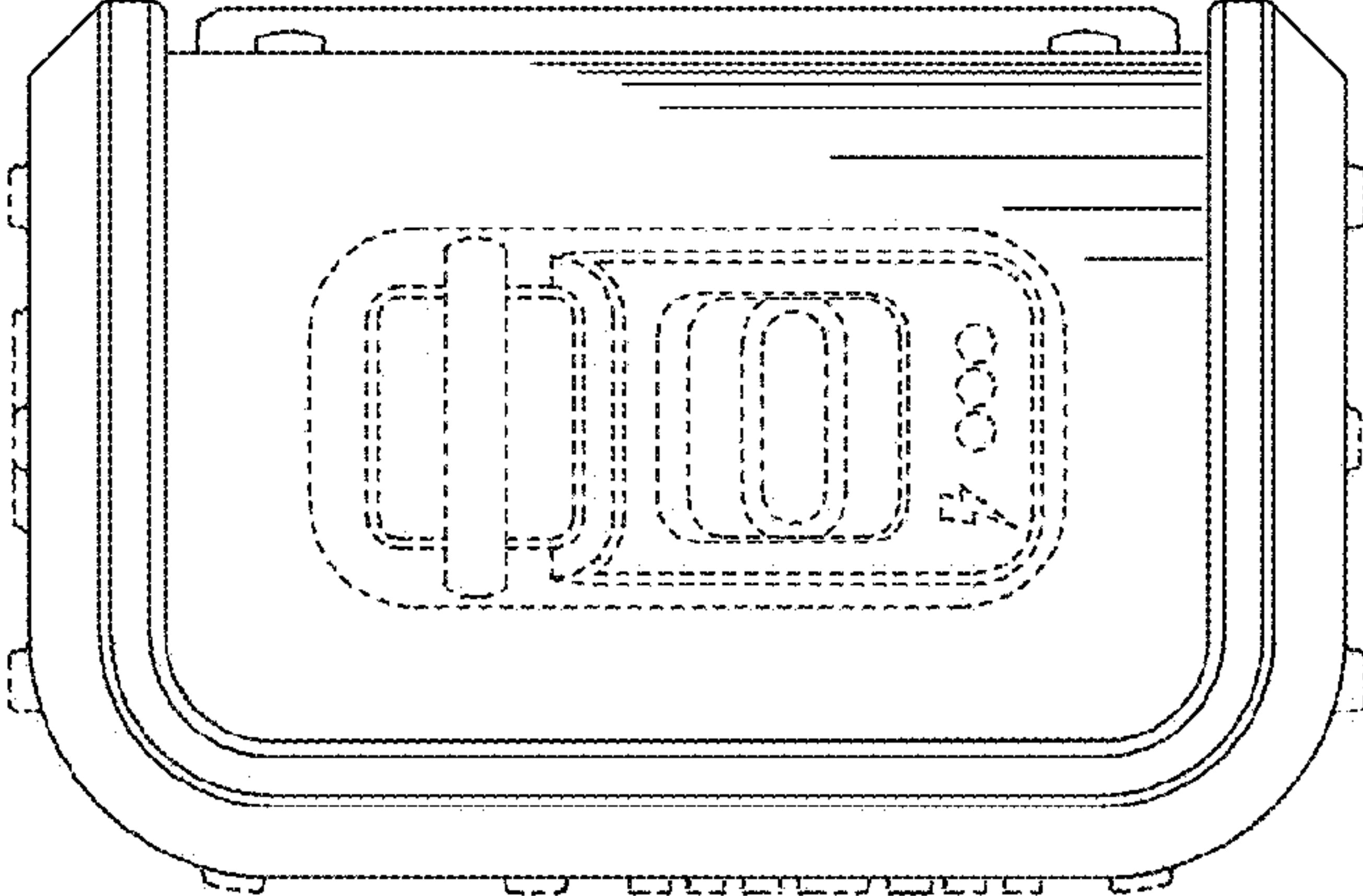


FIGURE 6

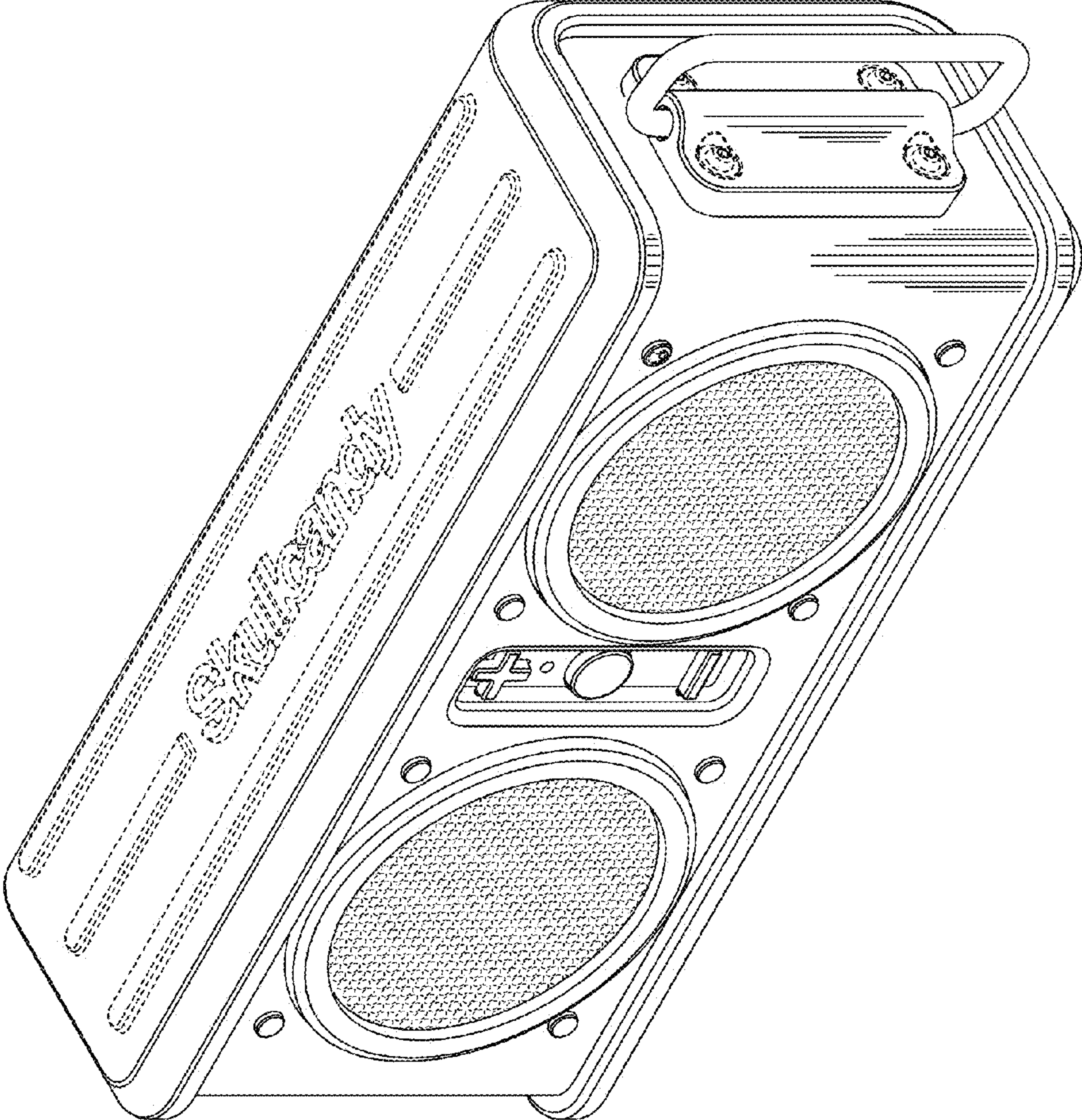


FIGURE 7