



US00D733675S

(12) **United States Design Patent**
Jeon et al.

(10) **Patent No.:** **US D733,675 S**
(45) **Date of Patent:** **** Jul. 7, 2015**

(54) **TELEPHONE**

(71) Applicant: **Samsung Electronics Co., Ltd.**,
Suwon-si (KR)

(72) Inventors: **So-Yoon Jeon**, Guri-si (KR); **Ji-Hee Kwak**, Seoul (KR); **Ji-Hyun Moon**,
Gwangmyeong-si (KR)

(73) Assignee: **Samsung Electronics Co., Ltd.**,
Suwon-si (KR)

(**) Term: **14 Years**

(21) Appl. No.: **29/490,281**

(22) Filed: **May 8, 2014**

(30) **Foreign Application Priority Data**

Dec. 12, 2013 (KR) 30-2013-0062966

(51) **LOC (10) Cl.** **14-03**

(52) **U.S. Cl.**
USPC **D14/151**

(58) **Field of Classification Search**

USPC D14/151, 130, 140.7, 140.8, 142, 144,
D14/149, 150, 155, 158, 159, 188, 217, 226,
D14/229, 240, 251–253, 399, 329, 466–468,
D14/140; D21/517; D13/107, 108, 168;
D10/65; 379/88.17, 90.01, 93.17,
379/387.01, 388.02, 419–420.04, 420.02,
379/428.01–428.04, 434–436, 440,
379/446–447, 454–455, 93.23; D24/165
CPC H04M 1/00; H04M 1/003; H04M 1/02;
H04M 1/03; H04M 1/04

See application file for complete search history.

(56) **References Cited**

U.S. PATENT DOCUMENTS

D203,595 S * 2/1966 Camp D14/142
D246,651 S * 12/1977 Morrison et al. D14/145
D248,234 S * 6/1978 Genaro et al. D14/149
D264,338 S * 5/1982 Sharp et al. D14/151

D273,491 S * 4/1984 Perkins D14/153
D278,531 S * 4/1985 McGarvey et al. D14/149
D279,004 S * 5/1985 Ryan D14/248
D282,542 S * 2/1986 Mo D14/148
D283,614 S * 4/1986 Somaschini D14/130
D284,572 S * 7/1986 Perkins D14/150
D284,857 S * 7/1986 Brignole D14/150
D287,721 S * 1/1987 Perkins D14/151
D287,964 S * 1/1987 Perkins D14/149

(Continued)

Primary Examiner — Susan Bennett Hattan

Assistant Examiner — Marie Fast Horse

(74) *Attorney, Agent, or Firm* — NSIP Law

(57) **CLAIM**

We claim the ornamental design for a telephone, as shown and described.

DESCRIPTION

FIG. 1 is a front perspective view of a telephone showing our new design;

FIG. 2 is a front view thereof;

FIG. 3 is a rear view thereof;

FIG. 4 is a left-side view thereof;

FIG. 5 is a right-side view thereof;

FIG. 6 is a top view thereof;

FIG. 7 is a bottom view thereof;

FIG. 8 is another right-side view thereof, in which the telephone is provided in an alternate position, rotated 45°, clockwise, relative to FIG. 5 to illustrate another embodiment;

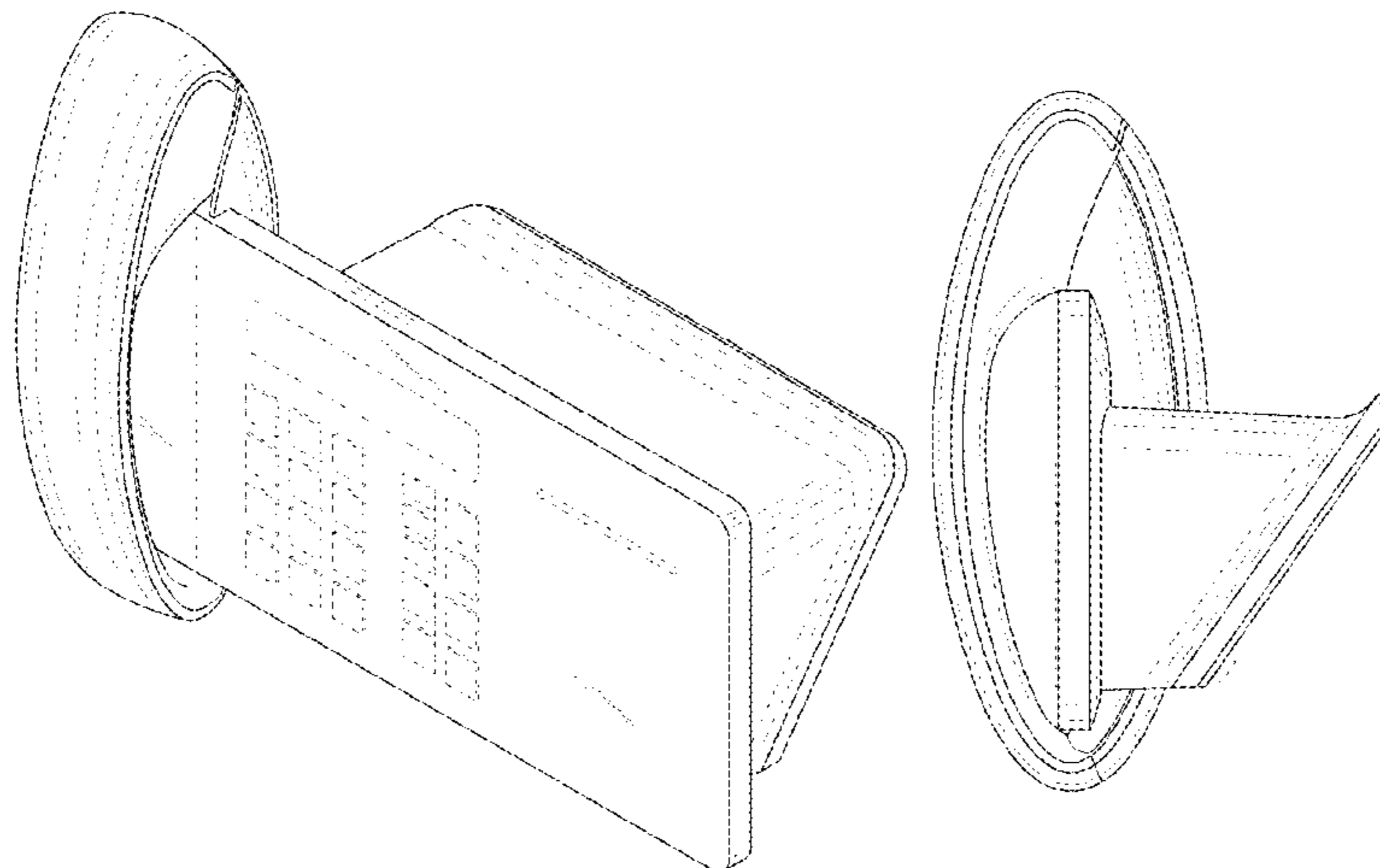
FIG. 9 is another front view thereof, in which a portable terminal in broken lines is provided to illustrate an example environment; and,

FIG. 10 is another front view thereof, in which a module in broken lines is provided to illustrate another example environment.

The broken lines in the figures show portions of the telephone which form no part of the claimed design.

The broken line showing of the portable terminal in FIG. 9 and the module in FIG. 10 is for environmental purposes only and forms no part of the claimed design.

1 Claim, 6 Drawing Sheets



(56)

References Cited

U.S. PATENT DOCUMENTS

D290,603 S *	6/1987	Offredi	D14/151	D426,821 S *	6/2000	Solomita et al.	D14/150
D293,103 S *	12/1987	Gauffin et al.	D14/151	D430,560 S *	9/2000	Carazon Climent	D14/248
D293,442 S *	12/1987	Richardson et al.	D14/248	D431,031 S *	9/2000	Garcia Gutierrez	D14/151
D293,670 S *	1/1988	Gauffin et al.	D14/151	D439,234 S *	3/2001	Narrillos Hortiguella	D14/151
D294,695 S *	3/1988	Endt	D14/150	D464,035 S *	10/2002	Nam	D14/151
4,736,411 A *	4/1988	Chan	379/368	D496,015 S *	9/2004	Kettula et al.	D14/138 AA
D299,342 S *	1/1989	Buchin	D14/151	D530,303 S *	10/2006	Tang	D14/151
D302,690 S *	8/1989	Krohn et al.	D14/144	D550,195 S *	9/2007	Ju	D14/151
D307,428 S *	4/1990	Pfeifer et al.	D14/151	D550,644 S *	9/2007	Cho et al.	D14/151
D307,429 S *	4/1990	Pfeifer et al.	D14/151	D552,071 S *	10/2007	Park et al.	D14/151
D316,552 S *	4/1991	Miozzo	D14/151	D552,588 S *	10/2007	Park et al.	D14/151
D320,788 S *	10/1991	Grinyer	D14/151	D559,225 S *	1/2008	Denhez et al.	D14/140
D320,987 S *	10/1991	Grinyer	D14/151	D575,262 S *	8/2008	Brown et al.	D14/151
D323,505 S *	1/1992	Faliero	D14/151	D575,263 S *	8/2008	Brown et al.	D14/151
5,127,050 A *	6/1992	Takahashi et al.	379/428.04	D576,146 S *	9/2008	Brown et al.	D14/151
D332,786 S *	1/1993	Gagnon	D14/142	D582,886 S *	12/2008	Woo et al.	D14/151
D345,558 S *	3/1994	Hillenmayer et al.	D14/151	D594,439 S *	6/2009	Jeon et al.	D14/151
D353,815 S *	12/1994	Mo	D14/151	D608,759 S *	1/2010	Chun et al.	D14/151
D354,487 S *	1/1995	Nogas	D14/151	D608,773 S *	1/2010	Verthein et al.	D14/248
D361,072 S *	8/1995	Huang	D14/149	D609,212 S *	2/2010	Turnbull et al.	D14/151
D361,765 S *	8/1995	Bryant	D14/151	D616,843 S *	6/2010	Jones et al.	D14/130
D363,285 S *	10/1995	Vessey et al.	D14/151	D638,817 S *	5/2011	Fleming et al.	D14/145
D365,560 S *	12/1995	Buchin	D14/151	D665,347 S *	8/2012	Chen	D13/108
D366,873 S *	2/1996	Nakayama	D14/144	D671,935 S *	12/2012	Mao	D14/253
D372,025 S *	7/1996	Mo	D14/151	D680,093 S *	4/2013	Sauvage	D14/142
D388,086 S *	12/1997	Constantine et al.	D14/150	D686,183 S *	7/2013	Basart et al.	D14/151
D423,003 S *	4/2000	Chan	D14/151	D709,852 S *	7/2014	Yoshida	D14/151
				D717,762 S *	11/2014	Jeon et al.	D14/151
				2006/0058003 A1 *	3/2006	Lee	455/403

* cited by examiner

FIG.1

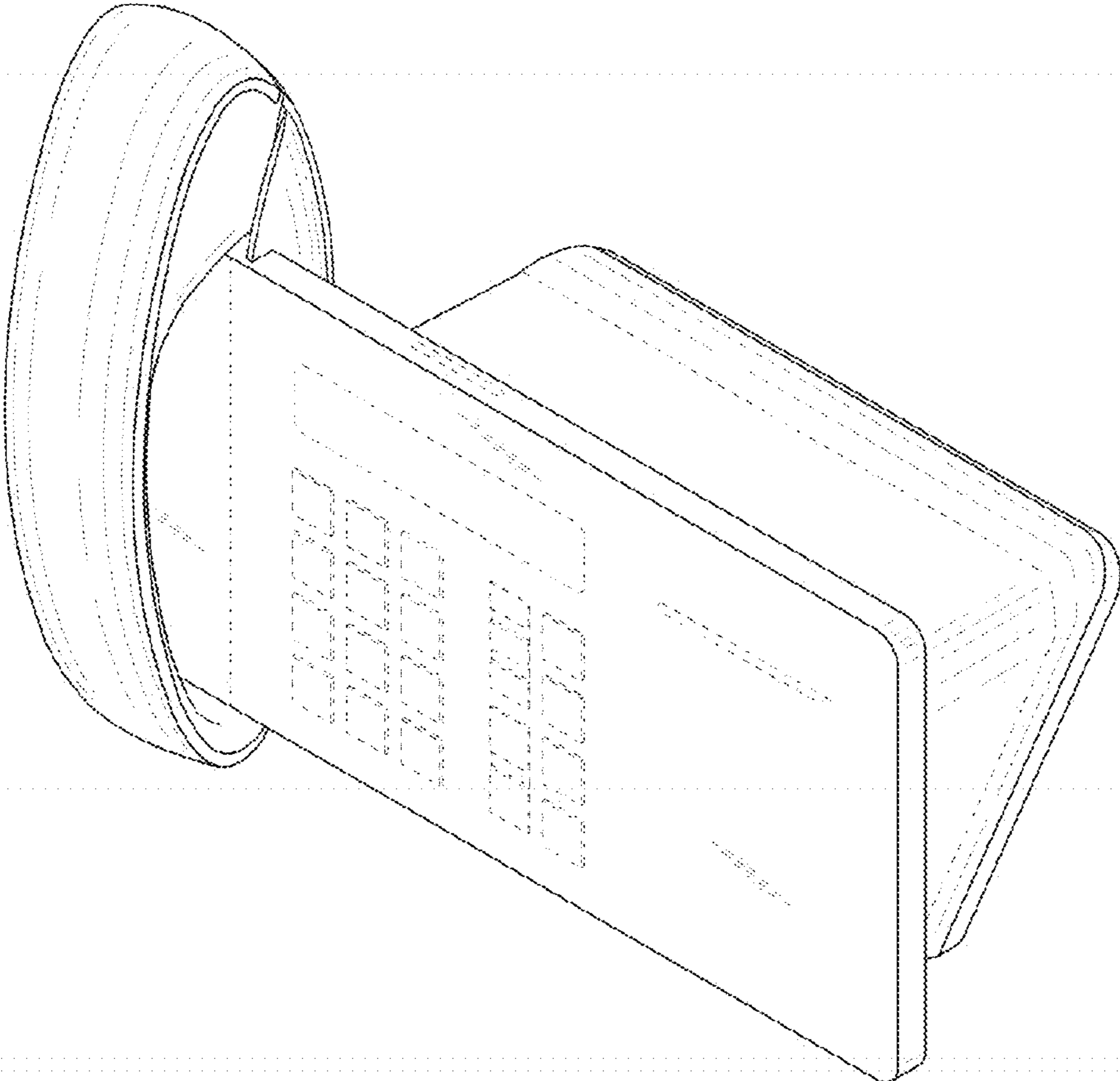


FIG.2

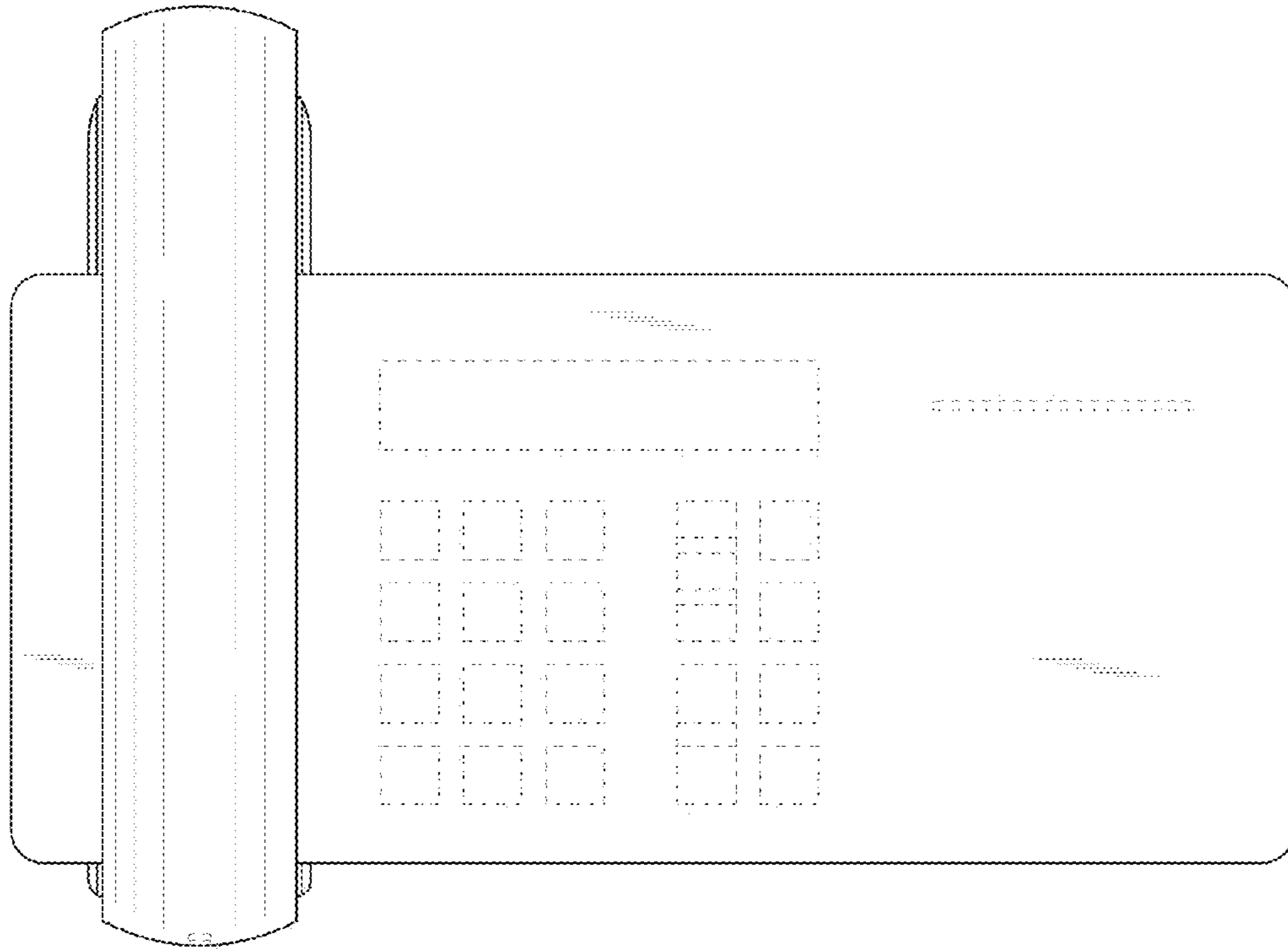


FIG.3

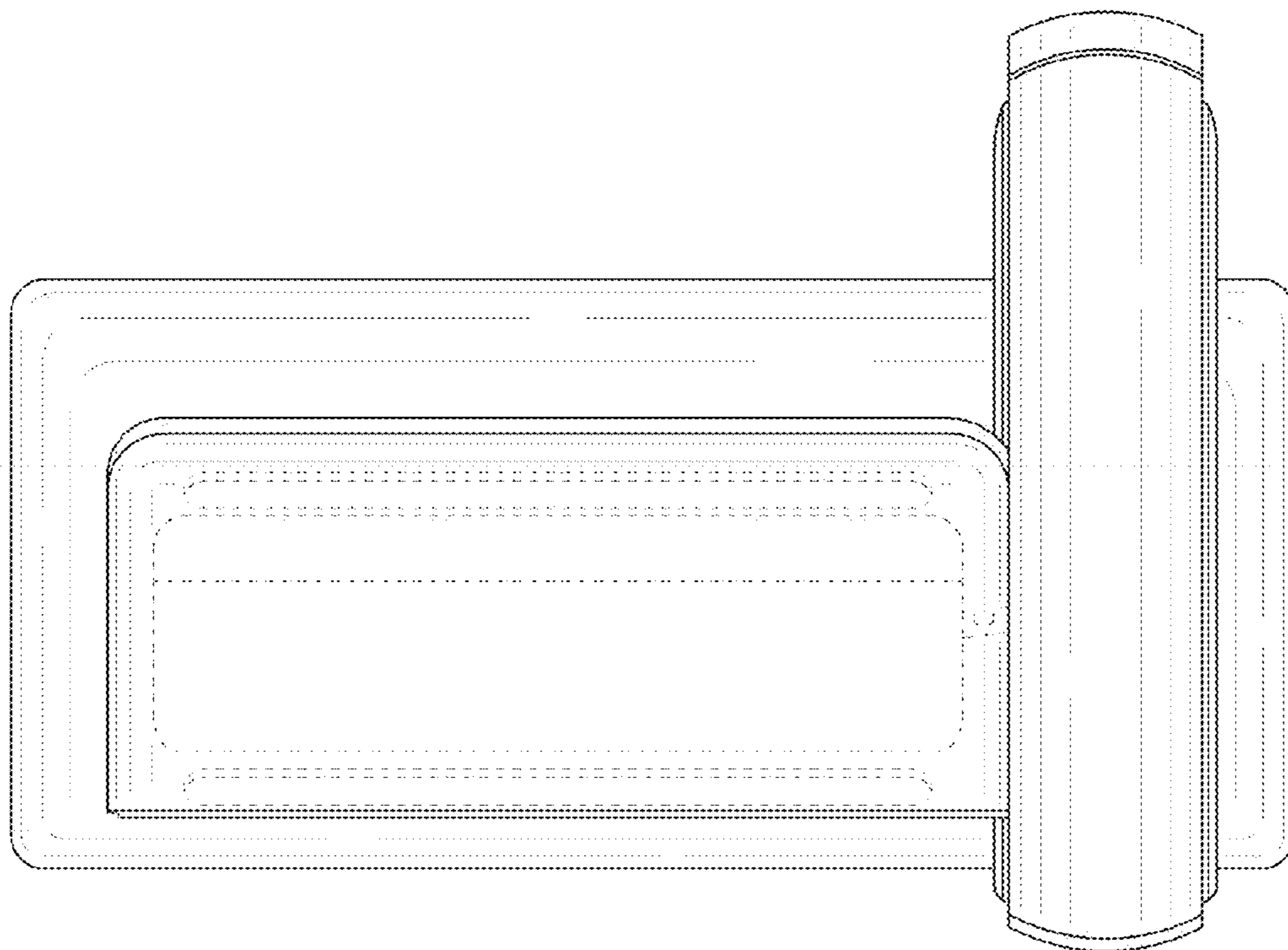


FIG.4

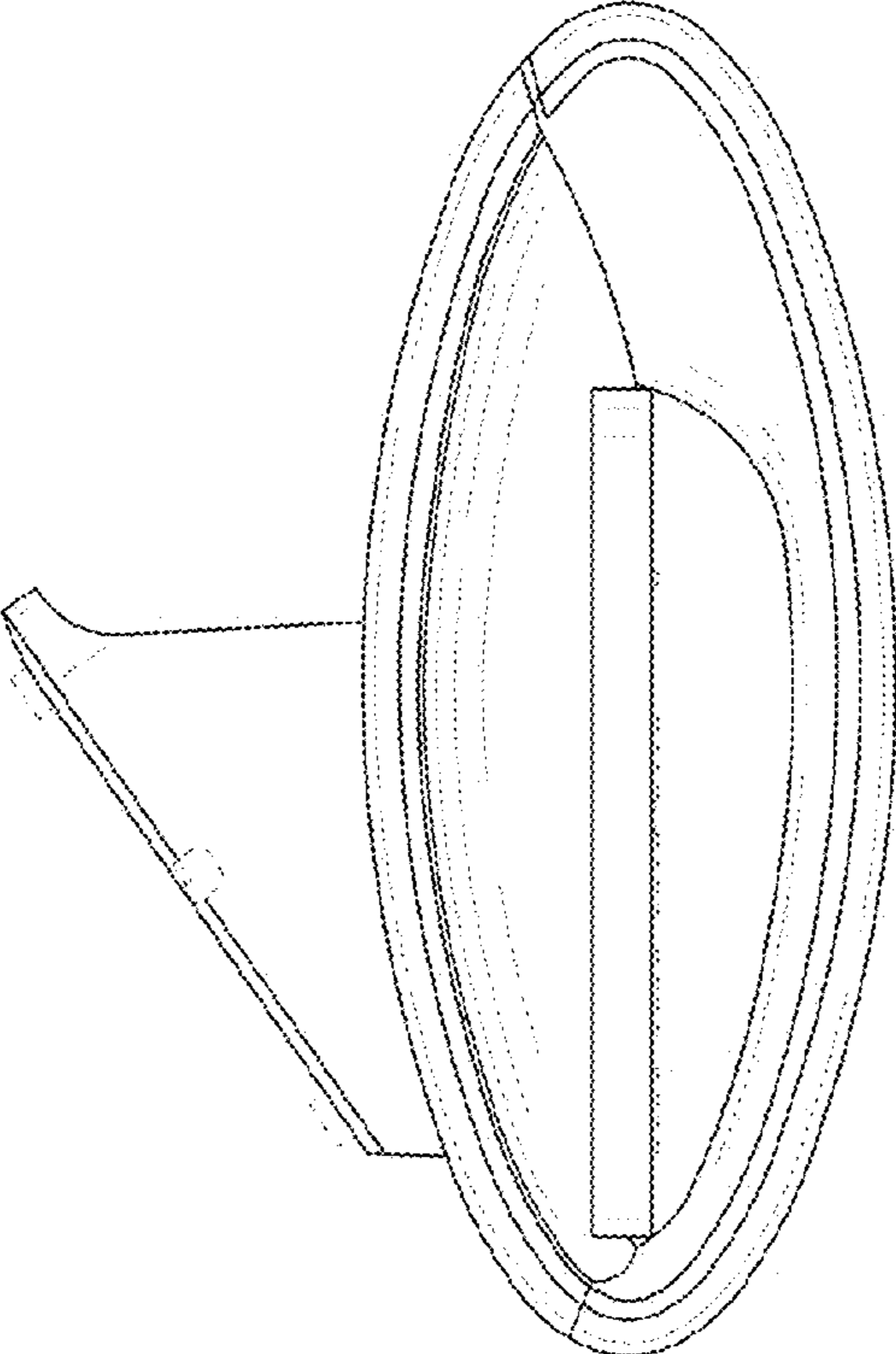


FIG.5

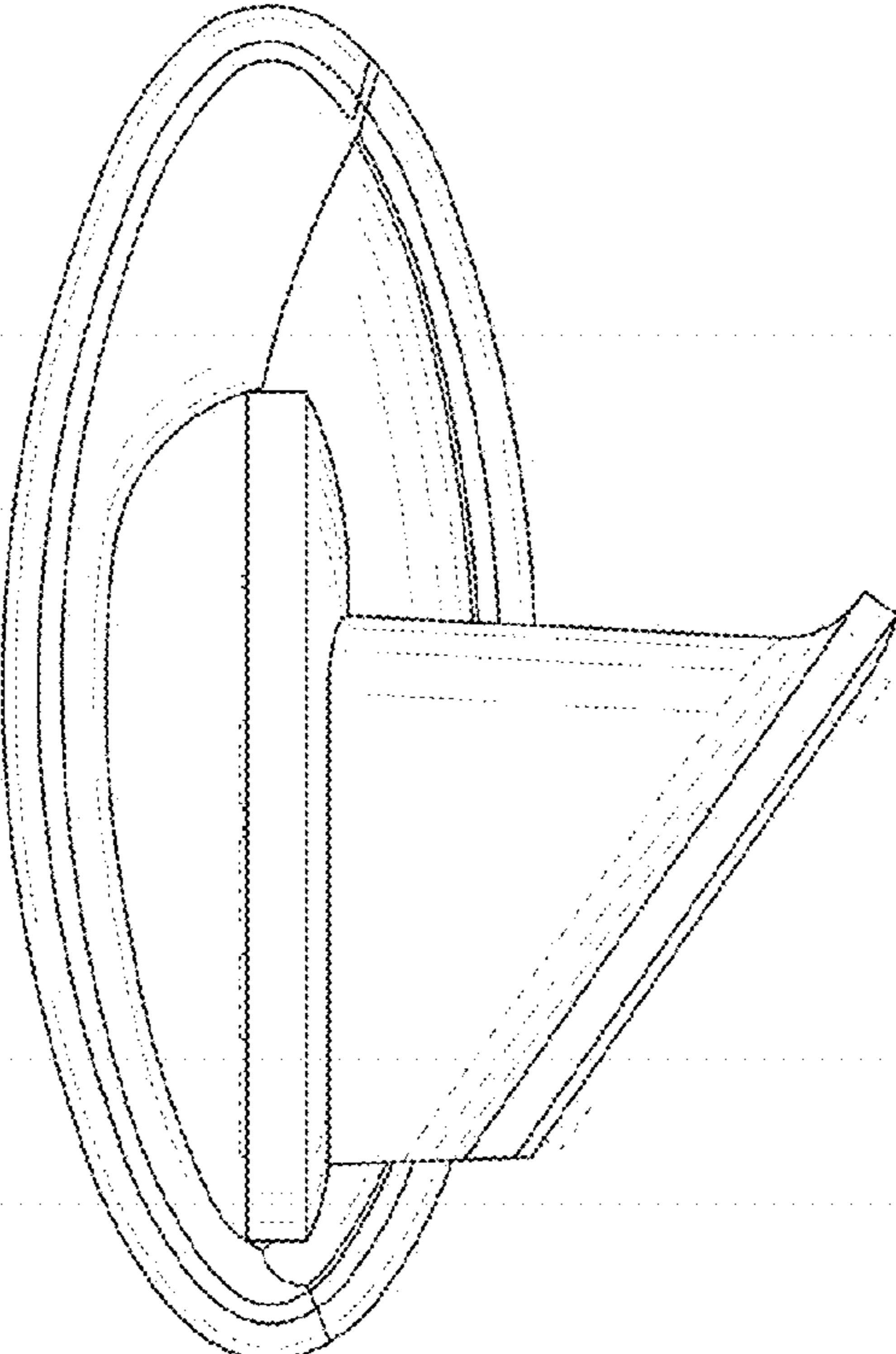


FIG.6

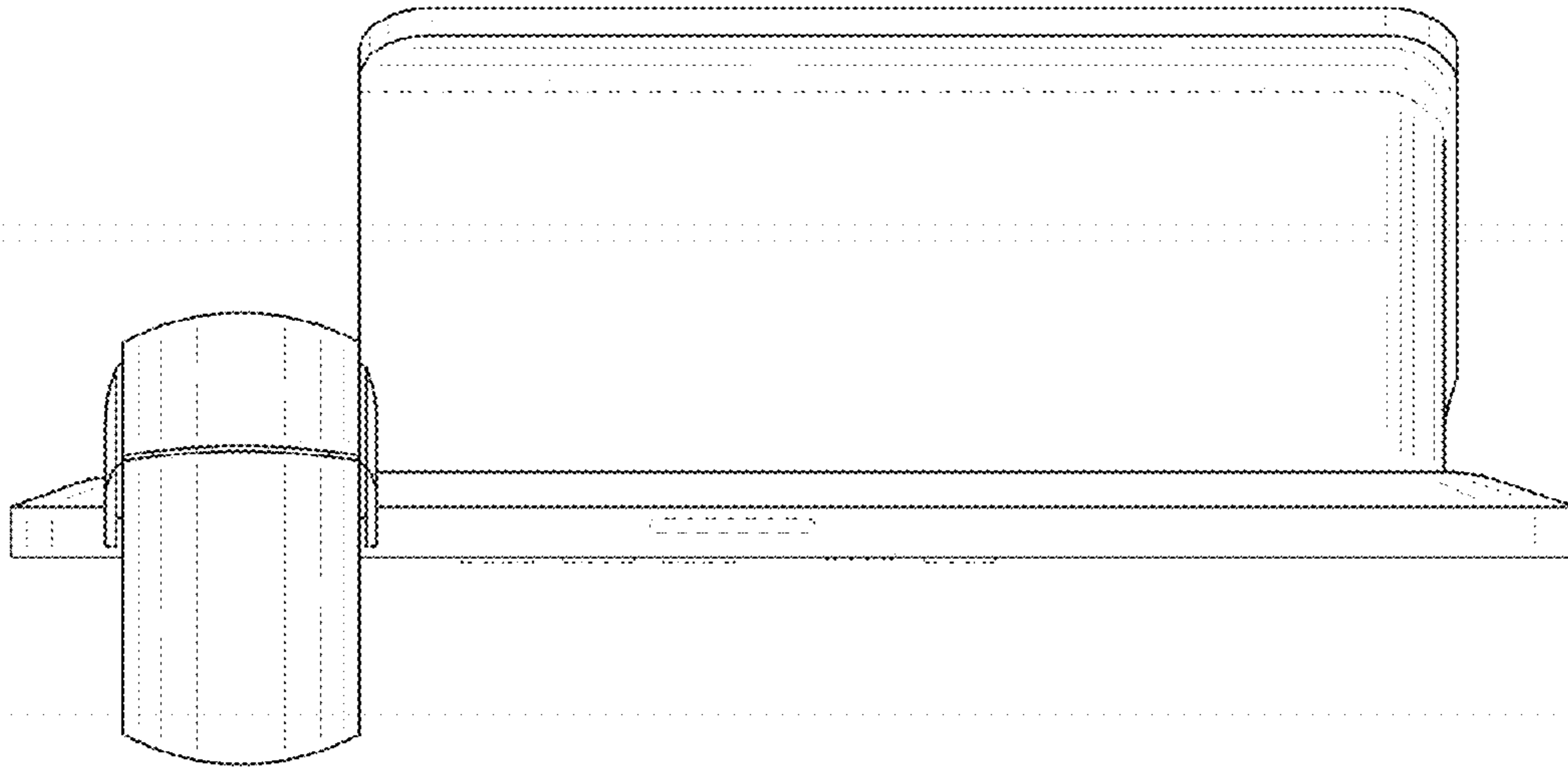


FIG.7

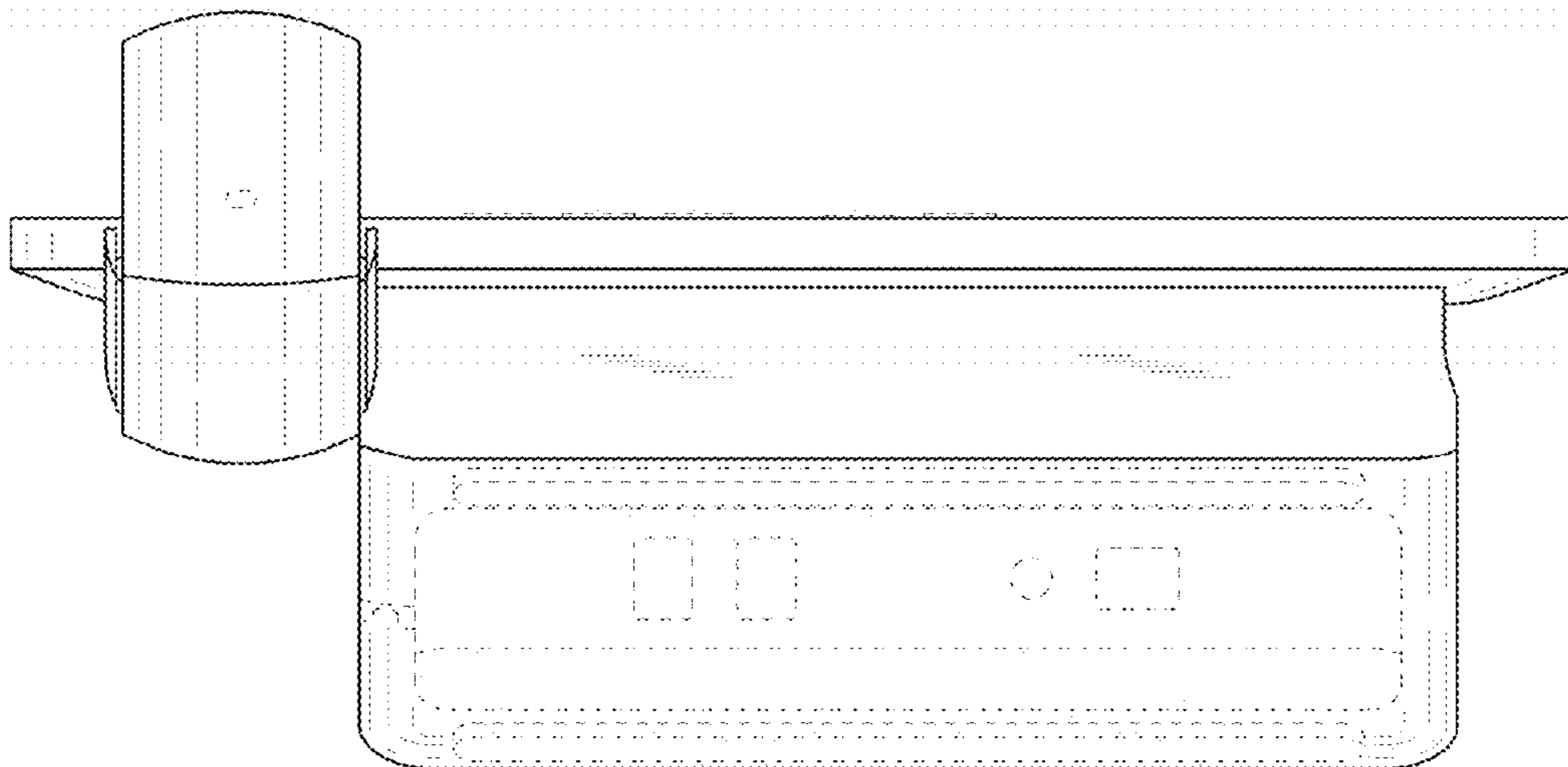


FIG.8

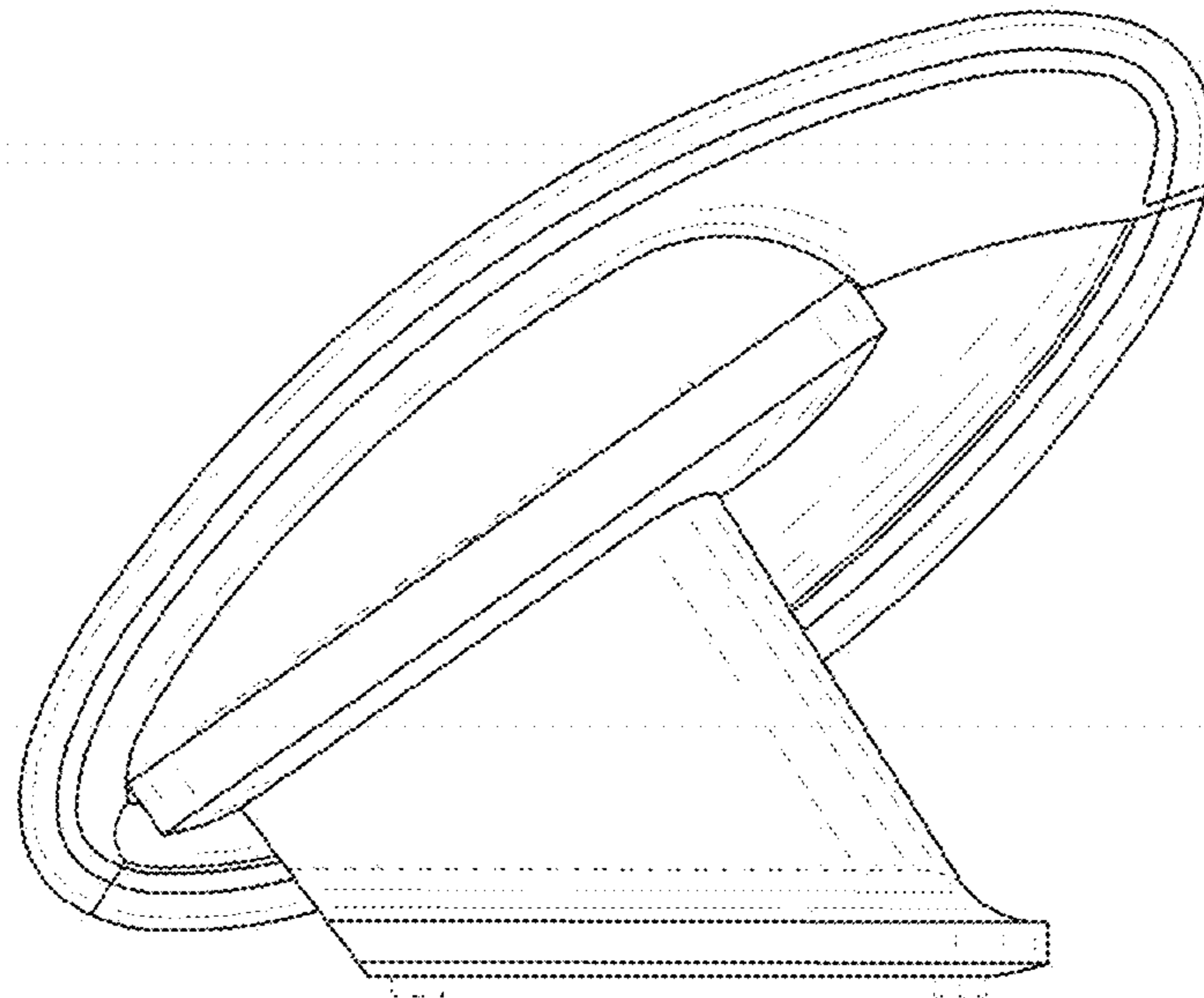


FIG.9

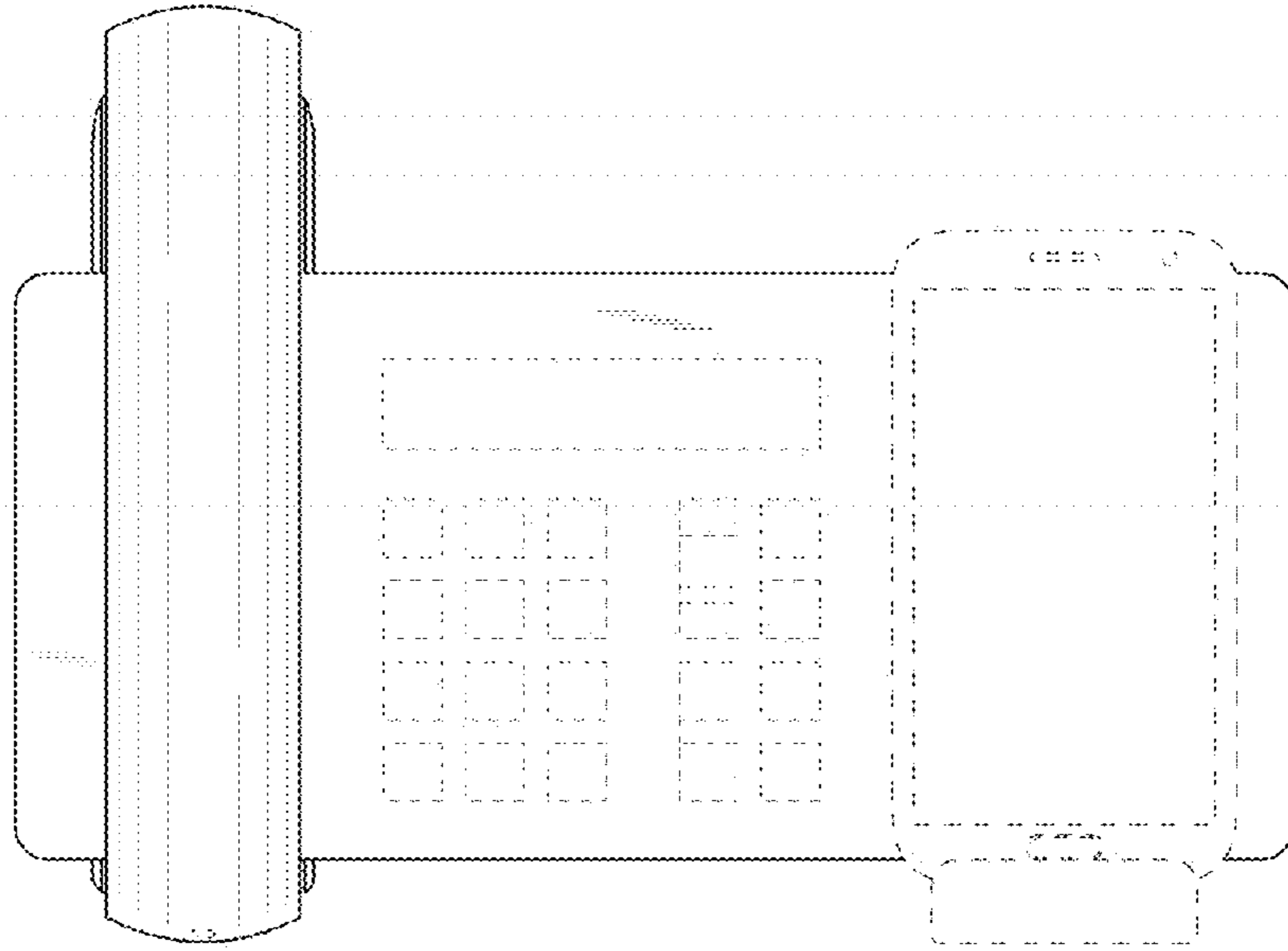


FIG.10

