



US00D733672S

(12) **United States Design Patent**
Choi

(10) **Patent No.:** **US D733,672 S**
(45) **Date of Patent:** **** Jul. 7, 2015**

(54) **MONITOR**

(71) Applicant: **Samsung Electronics Co., Ltd.**,
Suwon-si (KR)

(72) Inventor: **Gyoo-Sang Choi**, Suwon-Si (KR)

(73) Assignee: **Samsung Electronics Co., Ltd.**,
Suwon-si (KR)

(**) Term: **14 Years**

(21) Appl. No.: **29/457,746**

(22) Filed: **Jun. 12, 2013**

(30) **Foreign Application Priority Data**

Dec. 13, 2012 (KR) 30-2012-0060241

(51) **LOC (10) Cl.** **14-03**

(52) **U.S. Cl.**
USPC **D14/126; D14/239**

(58) **Field of Classification Search**
USPC D14/125–134, 239, 371, 136, 374–377,
D14/440, 450, 448, 336, 342, 159; 312/7.2;
348/836, 838, 180, 184, 325, 739;
248/917–924, 465; 345/104, 133, 156,
345/168, 87, 173; D21/329, 515, 577, 622,
D21/333, 433, 448, 452, 450, 331, 505;
D10/15, 26; 446/484, 175, 356;
D6/477, 479, 300; D24/185; D34/14
CPC ... G06F 1/1601; G06F 1/1643; H05K 5/0004;
H05K 5/0017; H05K 5/02; H05K 5/0217

See application file for complete search history.

(56) **References Cited**

U.S. PATENT DOCUMENTS

D408,126 S * 4/1999 Hunnicutt et al. D3/7
D599,755 S * 9/2009 Jin et al. D14/126
D624,895 S * 10/2010 Kasuga et al. D14/126
D653,636 S * 2/2012 Lee et al. D14/126

(Continued)

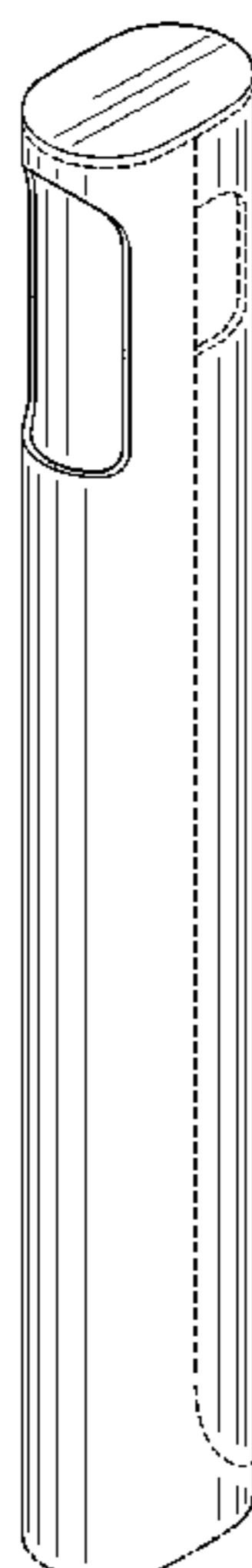
Primary Examiner — Raphael Barkai
(74) *Attorney, Agent, or Firm* — NSIP Law

(57) **CLAIM**
The ornamental design for a monitor, as shown and described.

DESCRIPTION

FIG. 1 is a perspective view of a monitor, showing my new design;
FIG. 2 is a front view thereof;
FIG. 3 is a rear view thereof;
FIG. 4 is a left-side view thereof;
FIG. 5 is a right-side view thereof;
FIG. 6 is a top plan view thereof;
FIG. 7 is a bottom plan view thereof;
FIG. 8 is a rear perspective view thereof;
FIG. 9 is a perspective view of the monitor of FIG. 1, in which the unclaimed display and stand portions of the monitor in broken line are removed to further show the remaining portion of claimed design;
FIG. 10 is a front view of the remaining portion of FIG. 9;
FIG. 11 is a rear view of the remaining portion of FIG. 9;
FIG. 12 is a left-side view of the remaining portion of FIG. 9;
FIG. 13 is a right-side view of the remaining portion of FIG. 9;
FIG. 14 is a top plan view of the remaining portion of FIG. 9;
FIG. 15 is a bottom plan view of the remaining portion of FIG. 9; and,
FIG. 16 is a rear perspective view of the remaining portion of FIG. 9.
The broken lines are for illustrative purposes only and form no part of the claimed design. The shade lines in the figures show contour and not surface ornamentation. The dot-dash lines define unclaimed boundaries of the claimed design and form no part of claimed design.

1 Claim, 11 Drawing Sheets



(56)

References Cited

U.S. PATENT DOCUMENTS

D660,492 S * 5/2012 Williams et al. D26/68
D661,832 S * 6/2012 Williams et al. D26/68
D671,083 S * 11/2012 Kim et al. D14/126
D685,806 S * 7/2013 Kim et al. D14/451

D694,206 S * 11/2013 Seo et al. D14/126
D694,209 S * 11/2013 Cho et al. D14/126
D699,728 S * 2/2014 Kim et al. D14/451
D720,315 S * 12/2014 Kim et al. D14/126
2003/0058372 A1* 3/2003 Williams et al. 348/836

* cited by examiner

FIG. 1

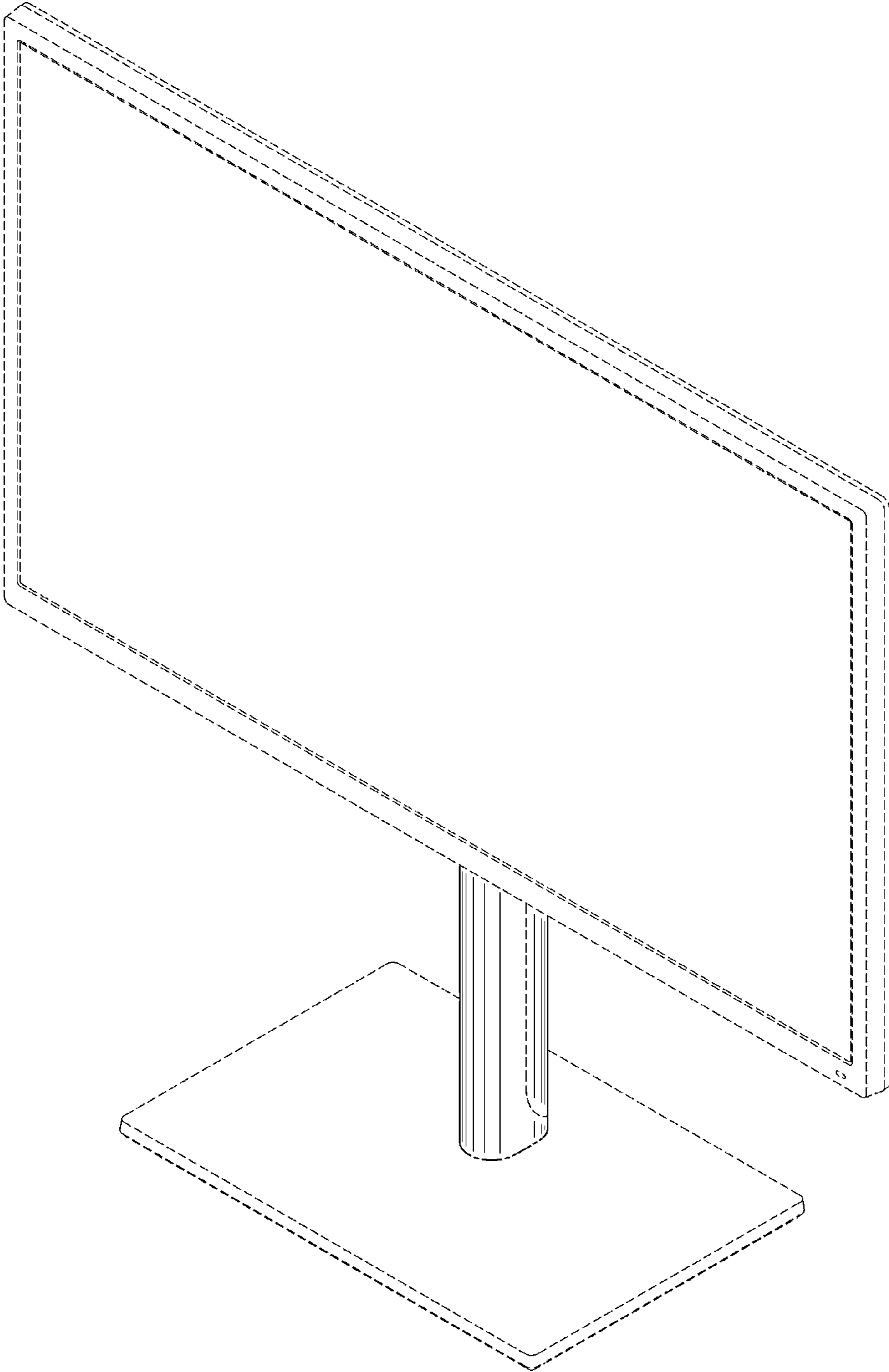


FIG. 2

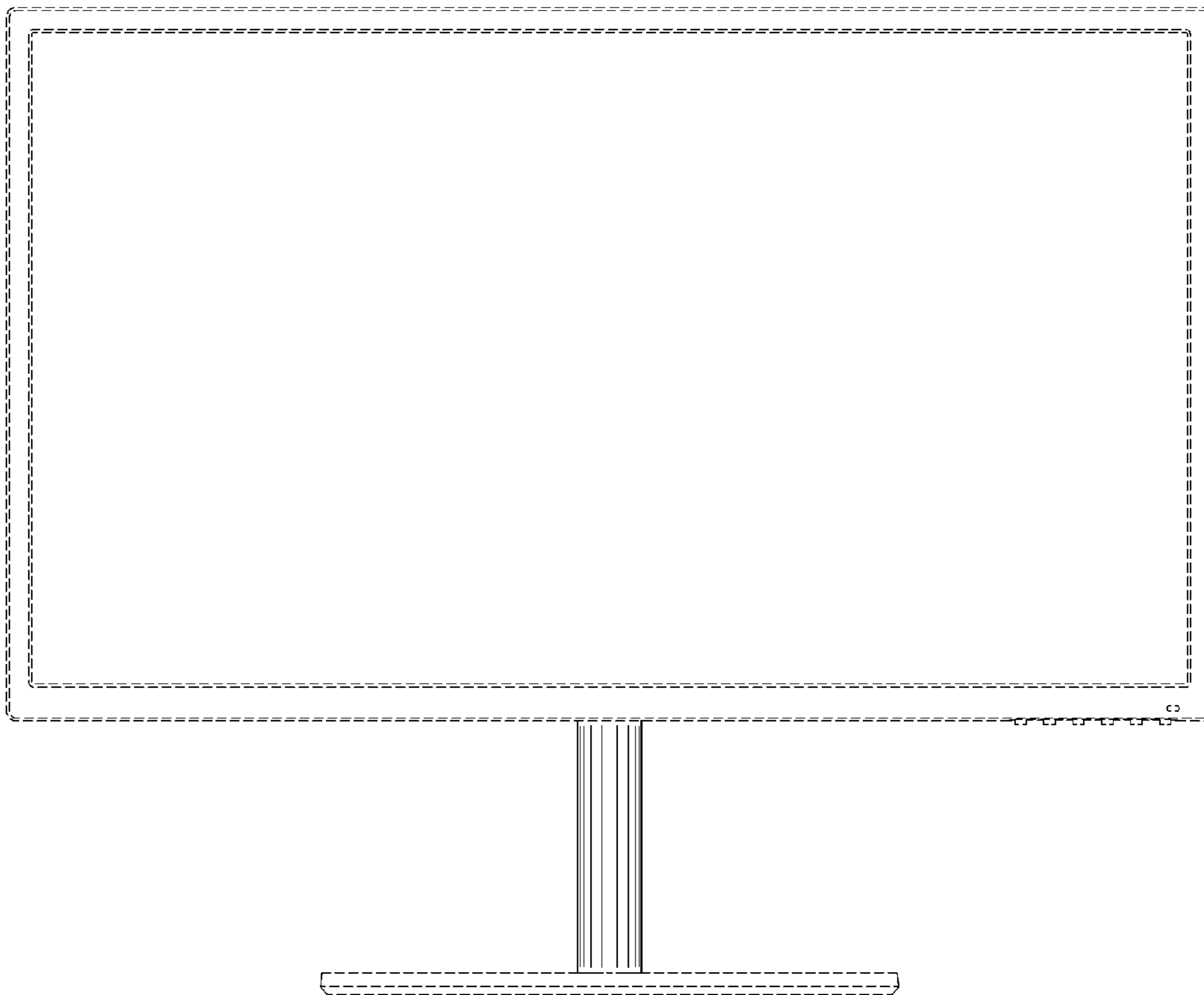


FIG. 3

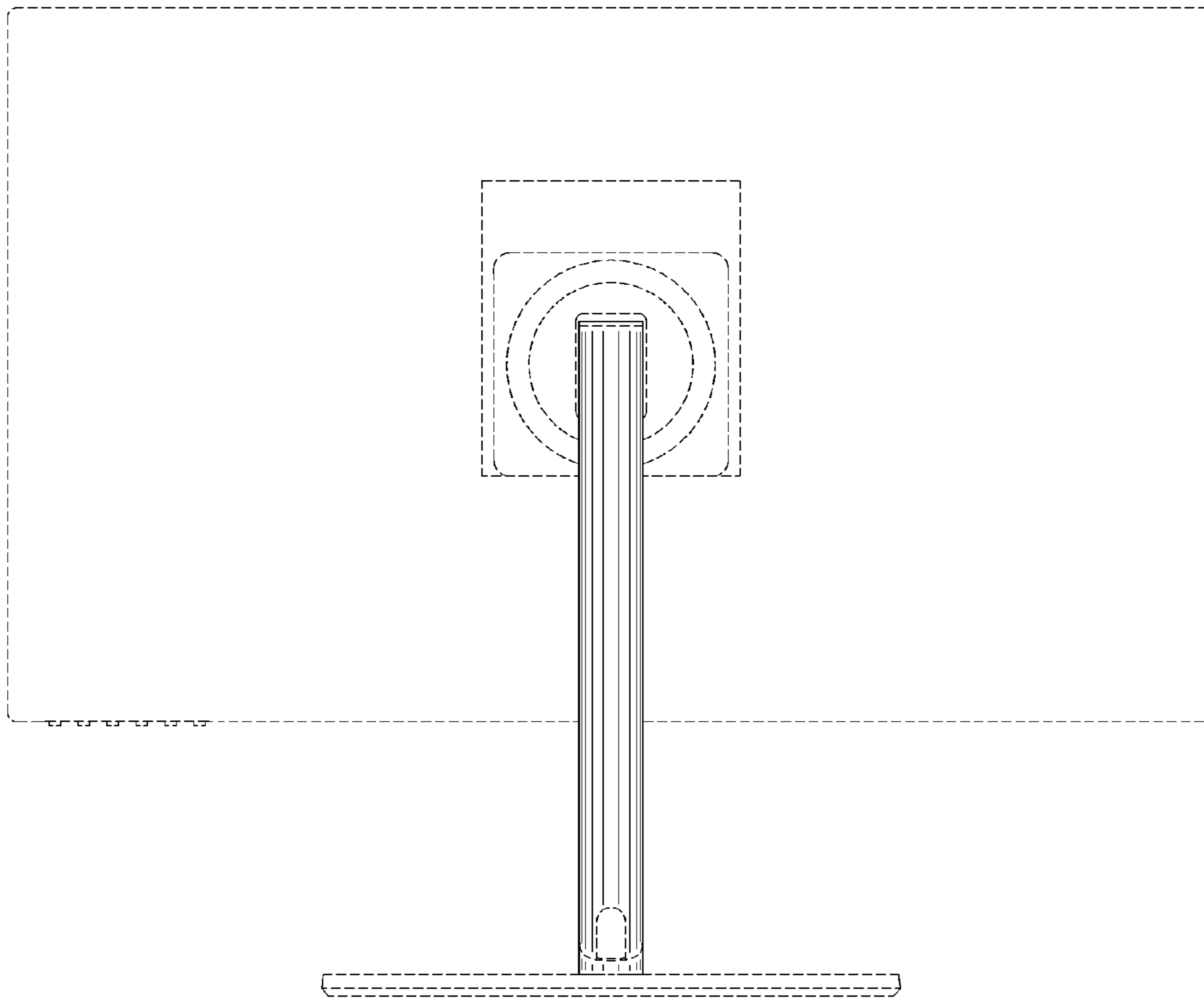


FIG. 4

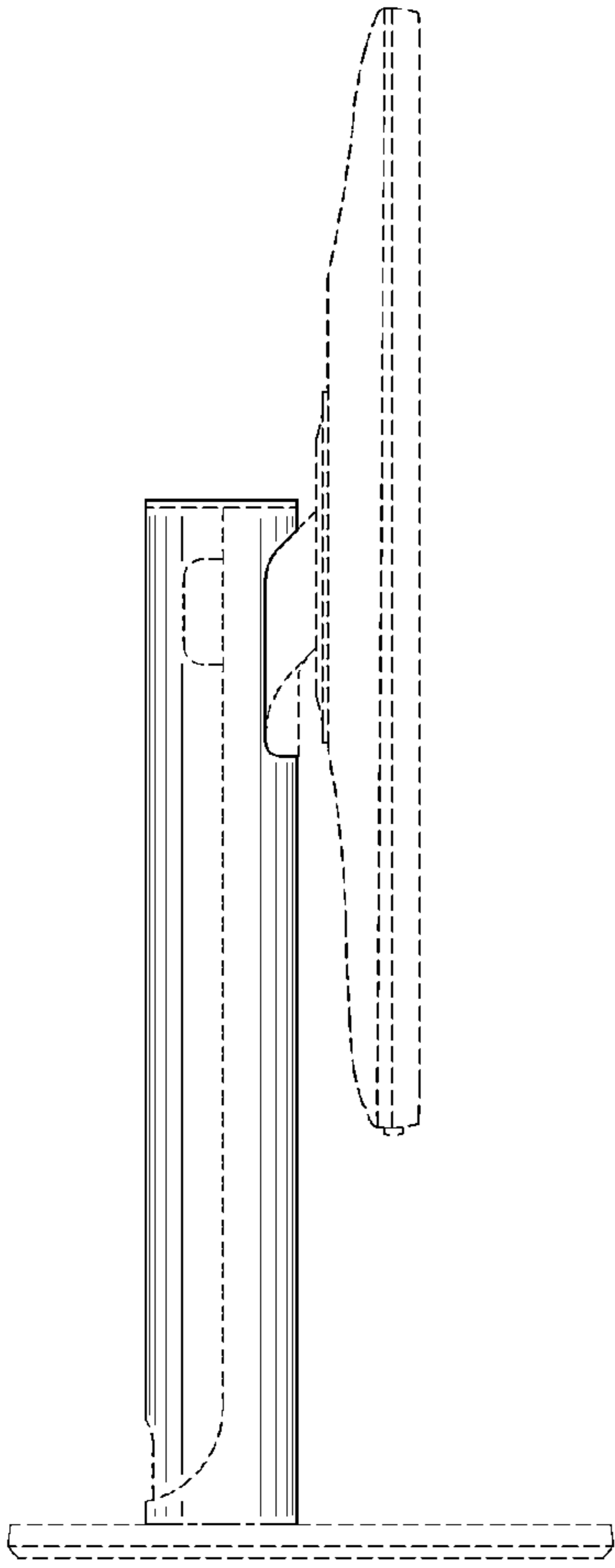


FIG. 5

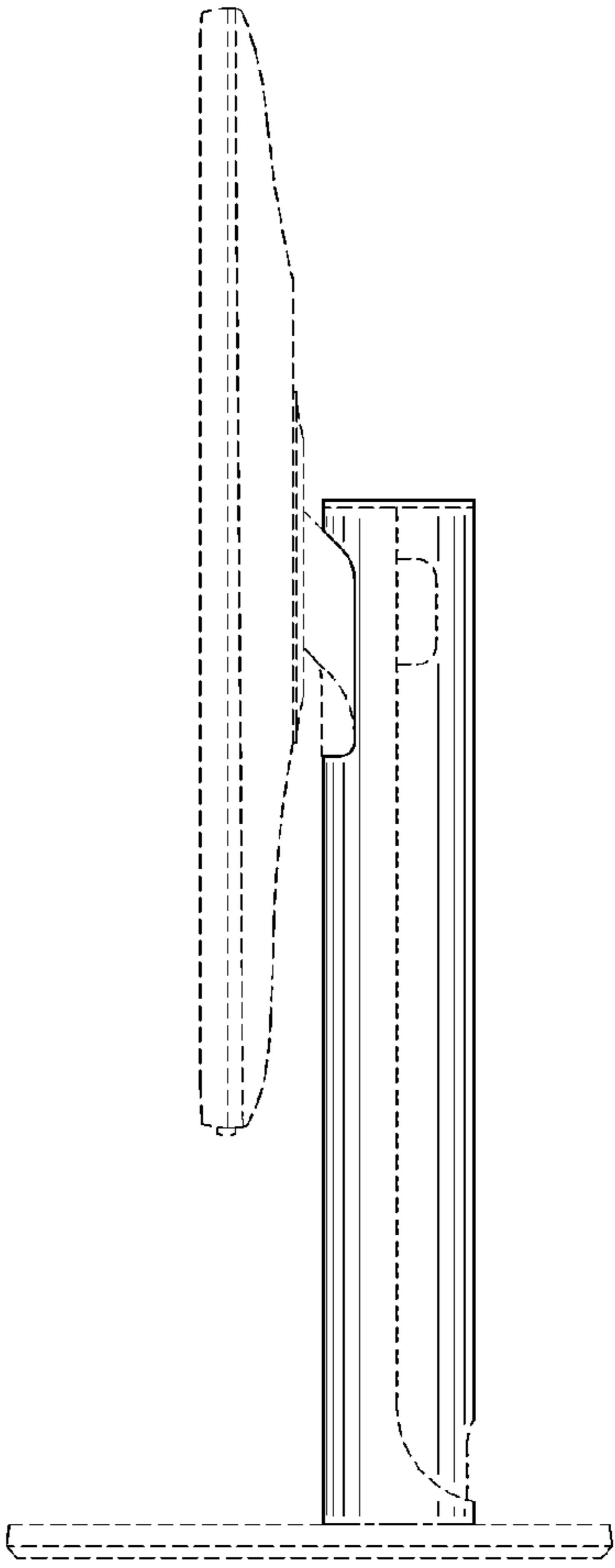


FIG. 6

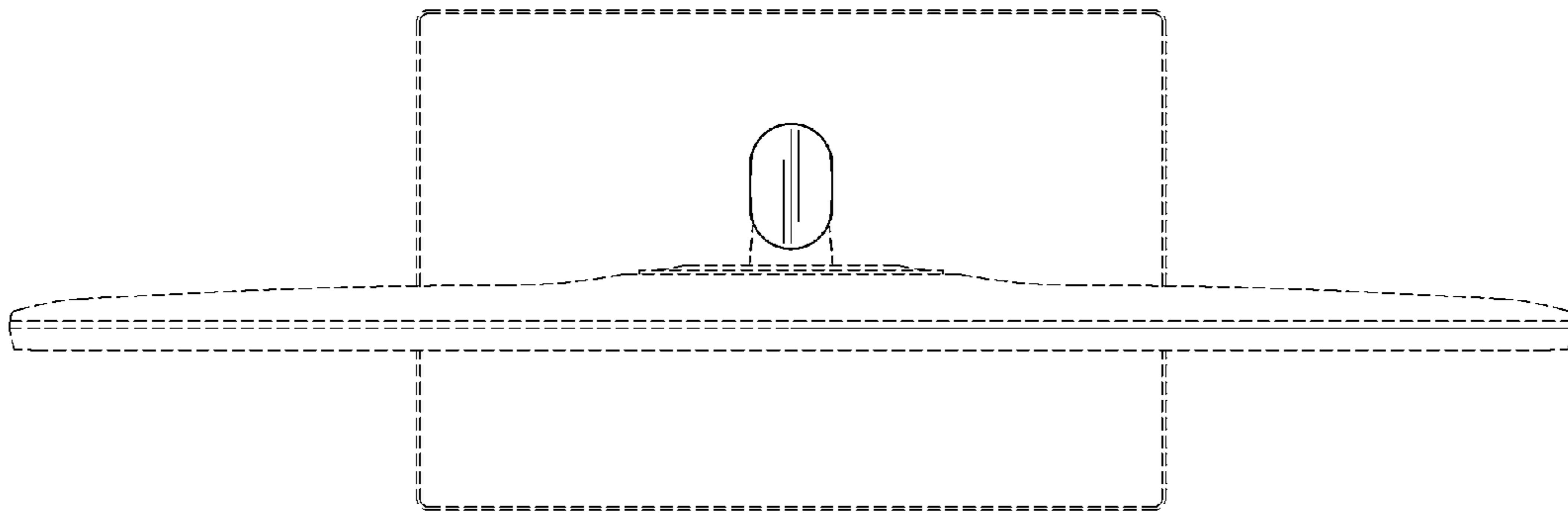


FIG. 7



FIG. 8

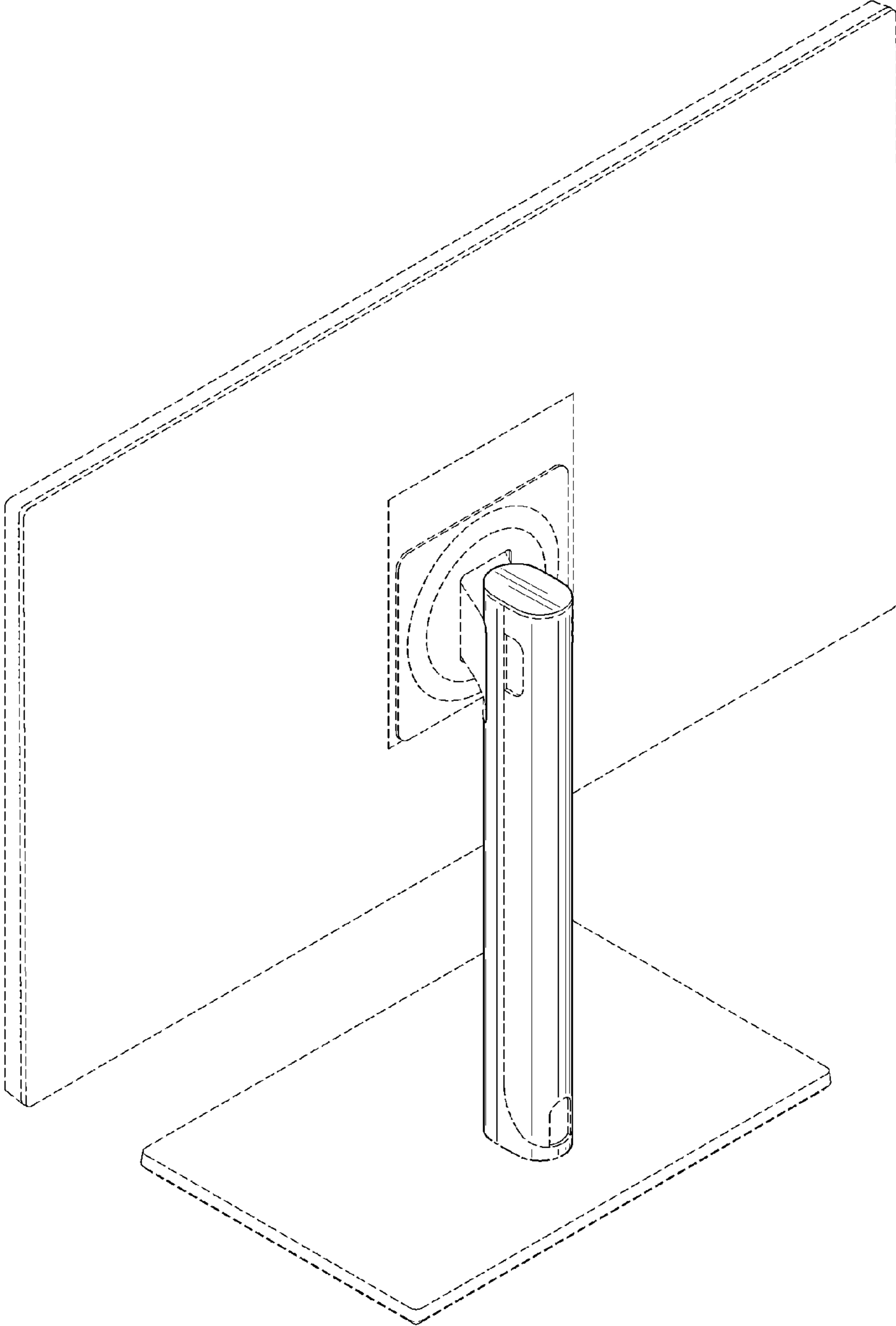


FIG. 9

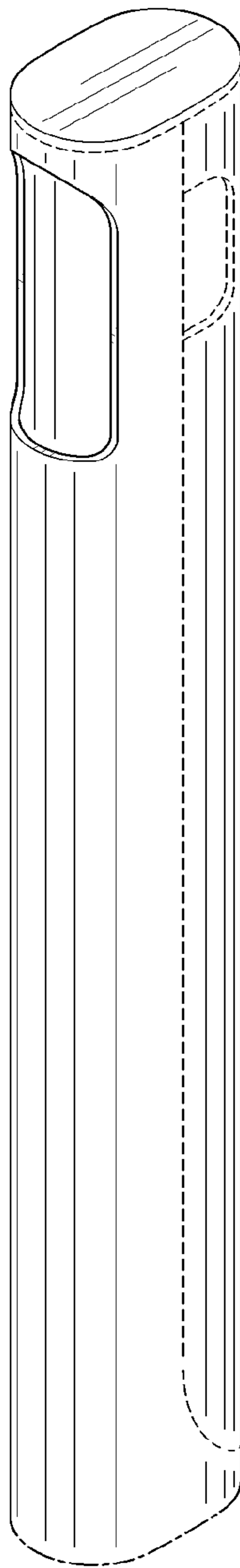


FIG. 10

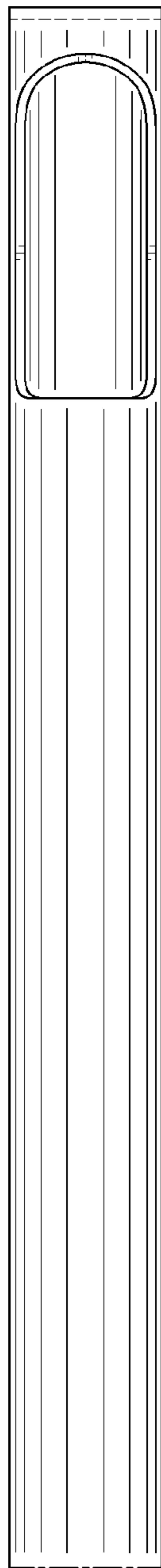


FIG. 11

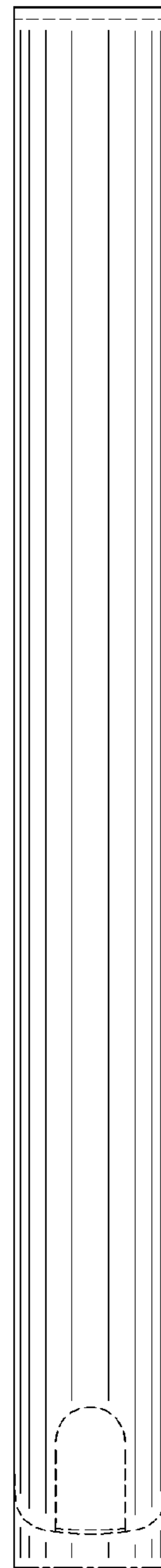


FIG. 12

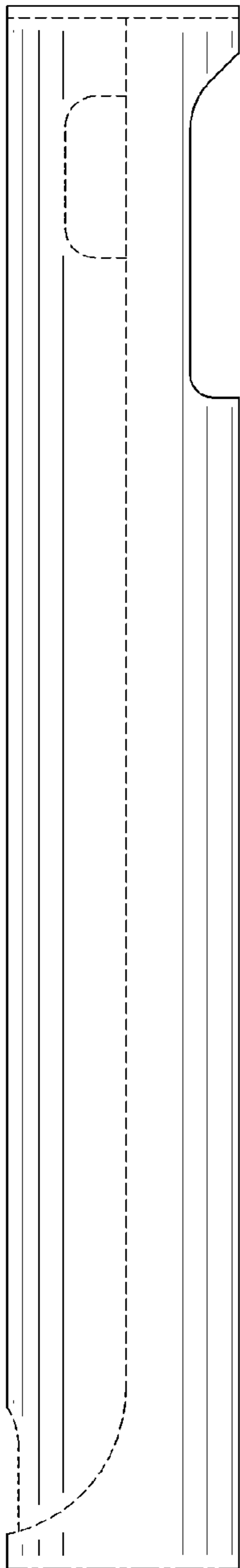


FIG. 13

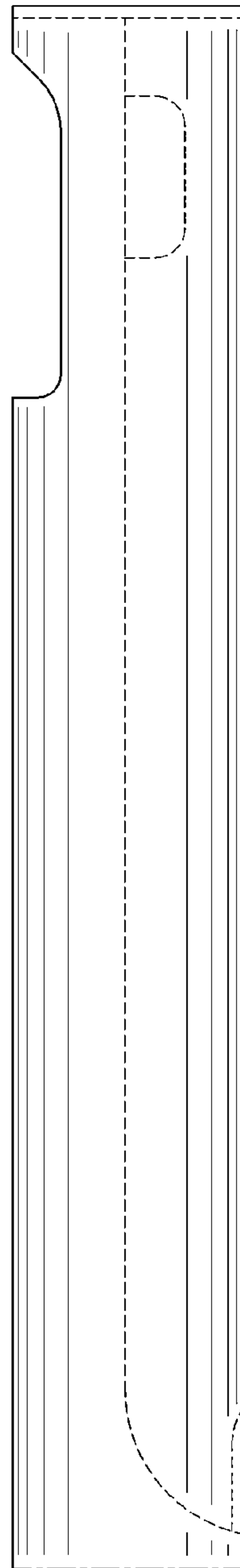


FIG. 14

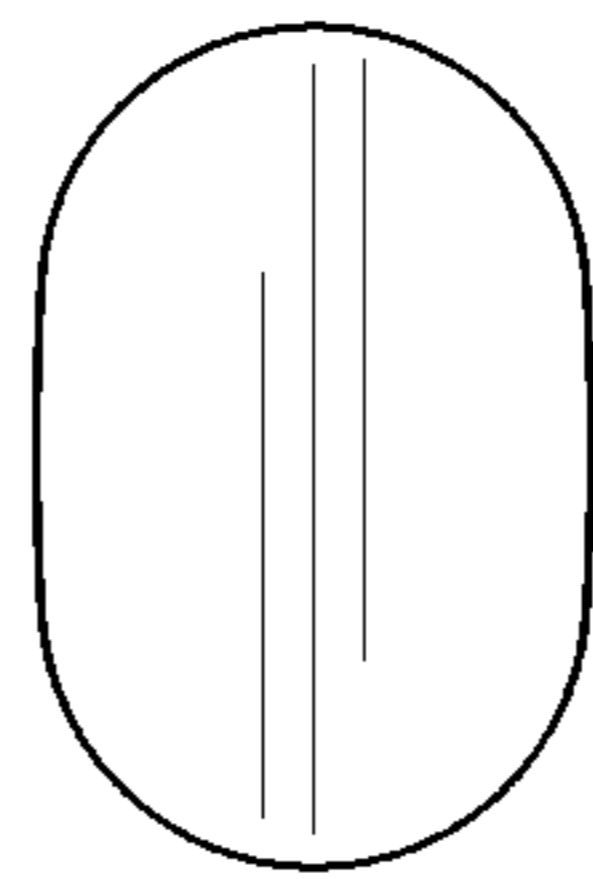


FIG. 15

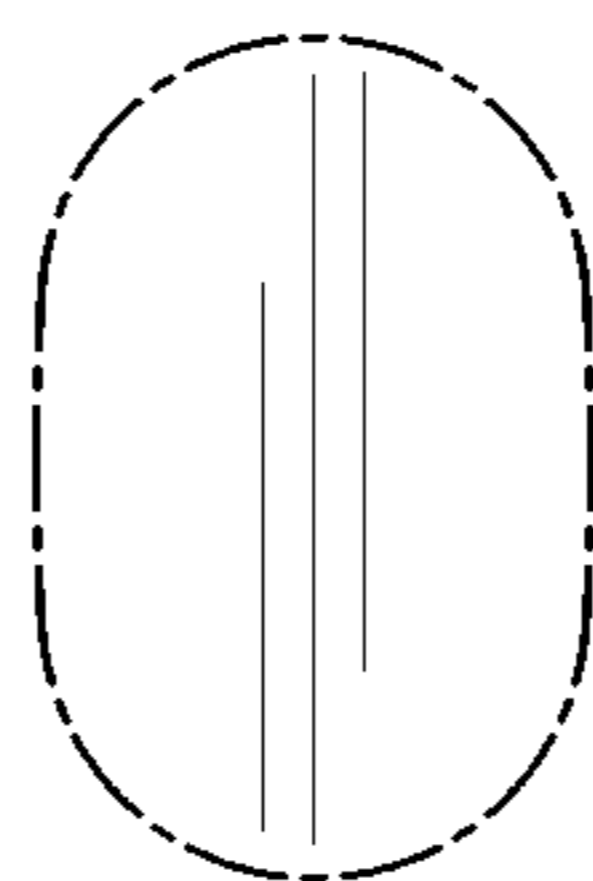


FIG. 16

