



US00D733669S

(12) **United States Design Patent**
Freeman

(10) **Patent No.:** **US D733,669 S**
(45) **Date of Patent:** **** Jul. 7, 2015**

(54) **LED MODULE**

(71) Applicant: **Glenn Freeman**, San Antonio, TX (US)

(72) Inventor: **Glenn Freeman**, San Antonio, TX (US)

(73) Assignee: **General LED, Inc.**, San Antonio, TX (US)

(**) Term: **14 Years**

(21) Appl. No.: **29/486,380**

(22) Filed: **Mar. 28, 2014**

(51) **LOC (10) Cl.** **13-03**

(52) **U.S. Cl.**
USPC **D13/180**

(58) **Field of Classification Search**
USPC D13/180; D26/1, 113, 120; 257/79, 80, 257/81, 88, 89, 95, 98, 99, 100, E33.058; 313/483, 498, 500; 362/555, 800
CPC ... H01L 25/167; H01L 25/0753; H01L 27/15; H01L 27/156; H01L 31/02; H01L 33/00; H01L 33/04; H01L 33/08; H01L 33/10; H01L 33/20; H01L 33/38; H01L 33/42; H01L 33/4862; H01L 33/483; H01L 33/486
See application file for complete search history.

(56) **References Cited**

U.S. PATENT DOCUMENTS

6,726,502 B1 * 4/2004 Hayes 439/422
6,932,495 B2 * 8/2005 Sloan et al. 362/294
7,044,620 B2 * 5/2006 Van Duyn 362/294
7,360,923 B2 * 4/2008 Weber-Rabsilber et al. . 362/241
7,374,306 B2 * 5/2008 Liu 362/27

D578,492 S * 10/2008 Xu D13/180
D593,045 S * 5/2009 Plonski et al. D13/180
D601,280 S * 9/2009 Hsu D26/3
D623,781 S * 9/2010 Uemoto et al. D26/24
7,938,558 B2 * 5/2011 Wilcox et al. 362/236
8,354,686 B2 * 1/2013 Jin et al. 257/98
2006/0092637 A1 * 5/2006 Yeh 362/249

* cited by examiner

Primary Examiner — Selina Sikder

(74) *Attorney, Agent, or Firm* — Alan R. Thiele; Rosenthal Pauerstein Sandoloski Agather LLP

(57) **CLAIM**

I claim the ornamental design for an LED module, as shown and described.

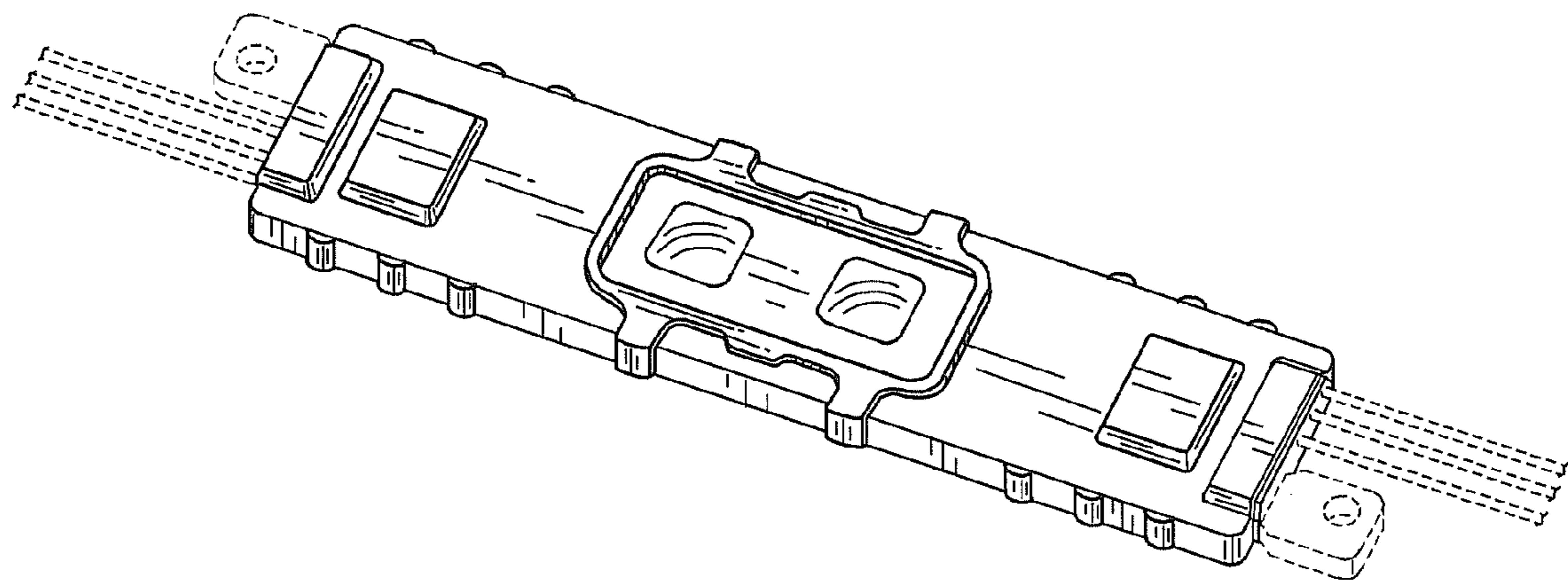
DESCRIPTION

FIG. 1 is a perspective view of an LED module showing my new design;
FIG. 2 is a top plan view thereof;
FIG. 3 is a front and rear elevational view thereof;
FIG. 4 is a left and right side elevational view thereof; and,
FIG. 5 is a bottom plan view thereof.

The broken lines shown on the drawing views are for the purpose of illustrating environmental structure and form no part of the claimed design.

The ornamental design for the LED Module of the present invention is used on a mounting system and enclosure for a printed circuit board on which one or more light emitting diodes are electrically mechanically positioned and electrically connected. In a typical application, LED modules are connected, one to another, by wires and placed within a box sign or within channel letters for illumination of the box sign or channel letters.

1 Claim, 2 Drawing Sheets



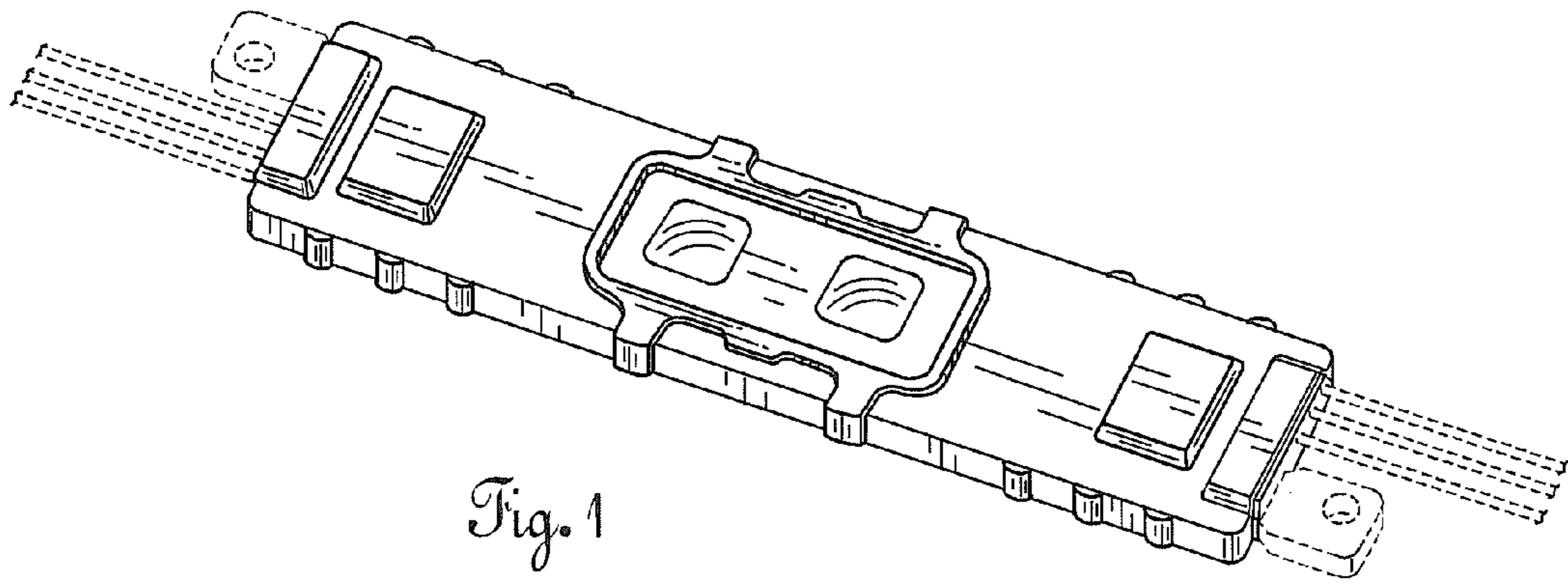


Fig. 1

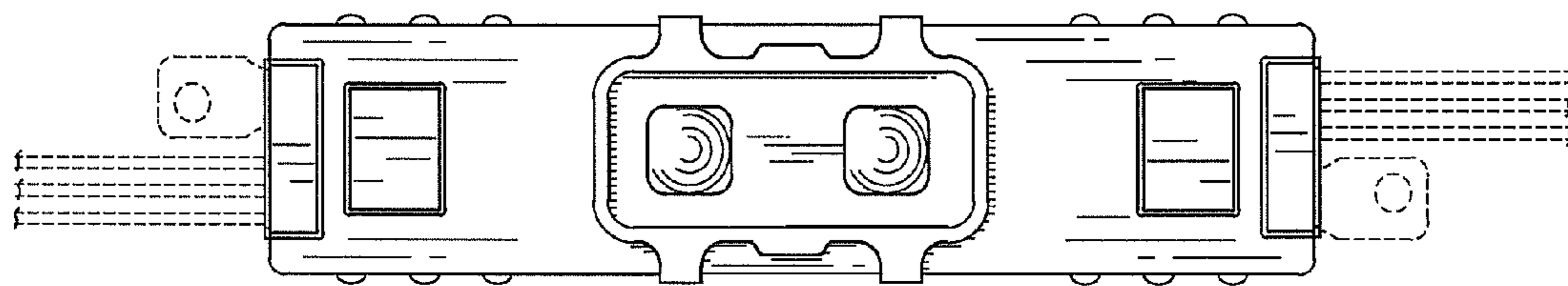


Fig. 2

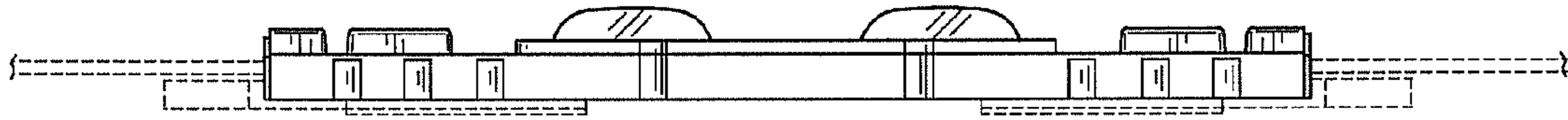


Fig. 3



Fig. 4

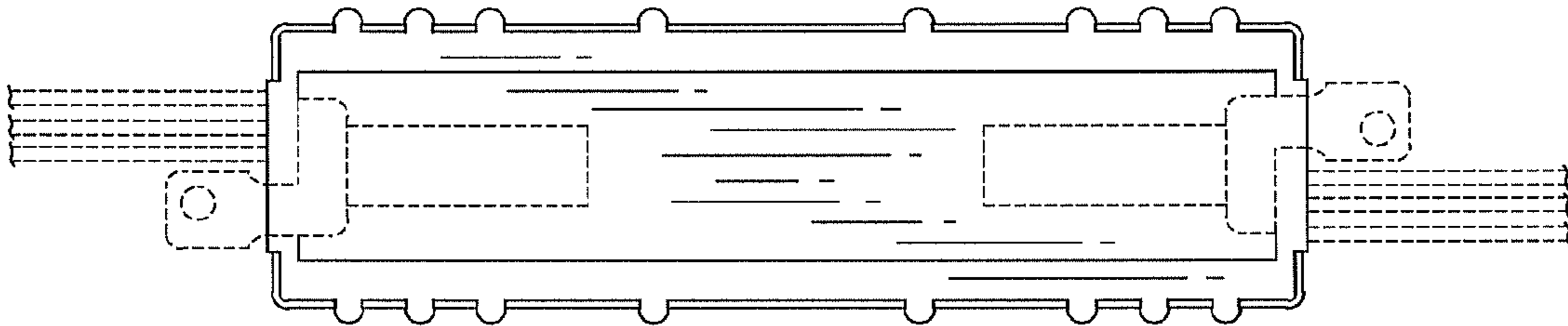


Fig. 5