



US00D733667S

(12) **United States Design Patent**
Jacoby et al.

(10) **Patent No.:** **US D733,667 S**
(45) **Date of Patent:** **** Jul. 7, 2015**

(54) **TABLETOP REMOTE LOAD CONTROL DEVICE**

(71) Applicant: **Lutron Electronics Co., Inc.**,
Coopersburg, PA (US)

(72) Inventors: **Elliot G. Jacoby**, Glenside, PA (US);
Erica L. Clymer, Northampton, PA (US);
Gregory Altonen, Easton, PA (US)

(73) Assignee: **LUTRON ELECTRONICS CO., INC.**,
Coopersburg, PA (US)

(**) Term: **14 Years**

(21) Appl. No.: **29/483,360**

(22) Filed: **Feb. 27, 2014**

Related U.S. Application Data

(62) Division of application No. 29/429,611, filed on Aug. 14, 2012, now Pat. No. Des. 704,151.

(51) **LOC (10) Cl.** **13-03**

(52) **U.S. Cl.**
USPC **D13/168**

(58) **Field of Classification Search**
USPC D13/164, 168; D10/104.1, 106.1;
D14/218; 211/26.1; 315/158, 295;
340/4.3, 4.42, 12.22, 12.23, 12.24,
340/12.29, 12.3, 12.55, 13.2, 13.21, 13.24;
345/169; 348/734; 455/352; 700/17,
700/65, 83

CPC H03J 1/0025; H03J 9/00; H03J 9/02;
H03J 9/04; H03J 9/06; H01H 2009/187;
H01H 9/02; H01H 9/0214; H01H 9/0242;
H01H 9/18; H05B 37/02; H05B 37/0272;
H05B 39/088; G08C 17/00; G08C 17/02;
G08C 19/28; G08C 23/02; G08C 23/04
See application file for complete search history.

(56) **References Cited**

U.S. PATENT DOCUMENTS

4,991,817 A 2/1991 VonKleist et al.
5,370,238 A 12/1994 Czajkowski et al.

(Continued)

Primary Examiner — Selina Sikder

(74) *Attorney, Agent, or Firm* — Condo Roccia Koptiw LLP

(57) **CLAIM**

We claim the ornamental design for a tabletop remote load control device, as shown and described.

DESCRIPTION

FIG. 1 is a perspective view of a tabletop remote load control device according to a first embodiment of our new design.

FIG. 2 is a front view of the embodiment depicted in FIG. 1.

FIG. 3 is a left side view of the embodiment depicted in FIG. 1.

FIG. 4 is a right side view of the embodiment depicted in FIG. 1.

FIG. 5 is a top view of the embodiment depicted in FIG. 1.

FIG. 6 is a bottom view of the embodiment depicted in FIG. 1.

FIG. 7 is a perspective view of a tabletop remote load control device according to a second embodiment of our new design.

FIG. 8 is a front view of the embodiment depicted in FIG. 7.

FIG. 9 is a left side view of the embodiment depicted in FIG. 7.

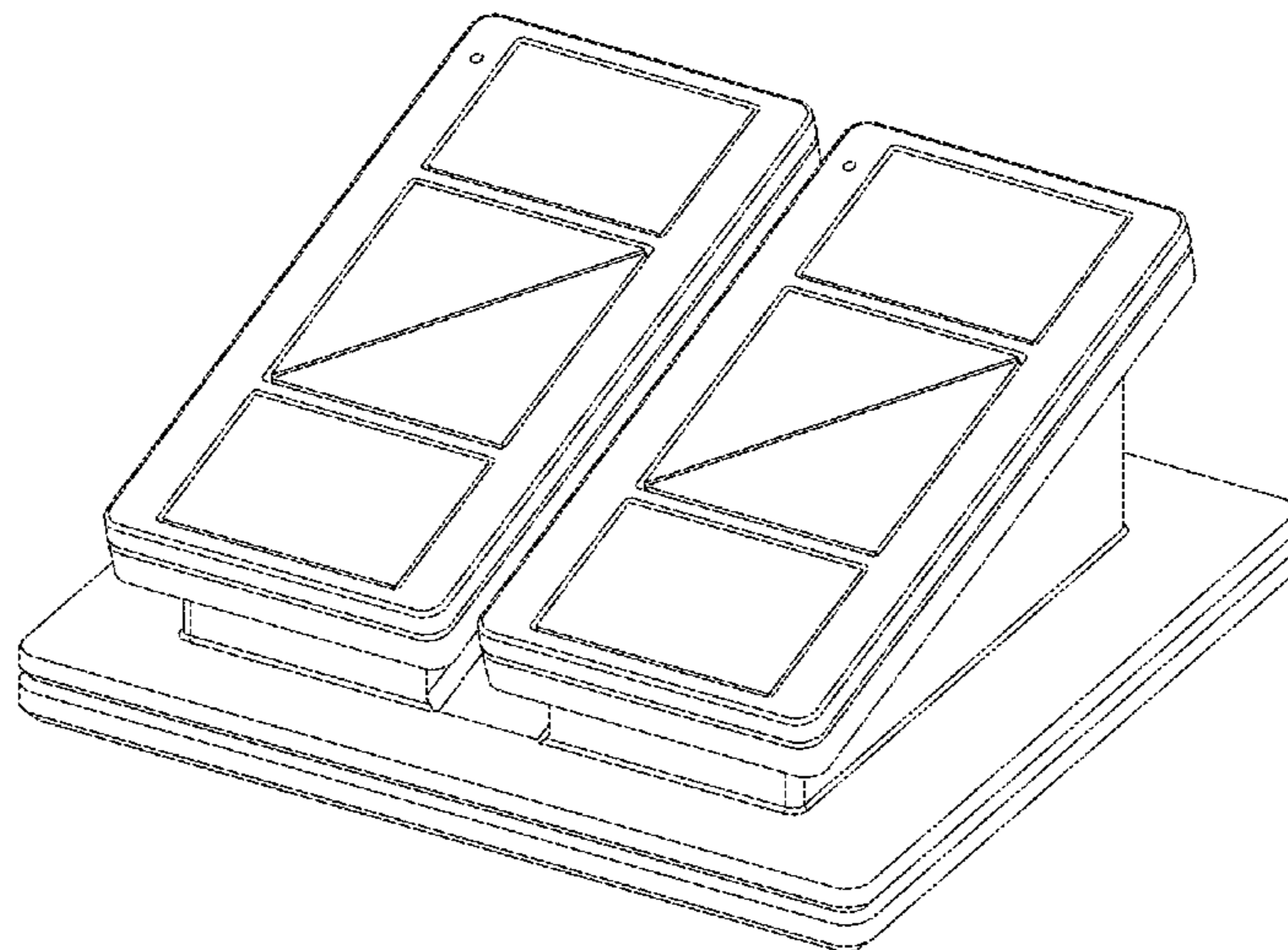
FIG. 10 is a right side view of the embodiment depicted in FIG. 7.

FIG. 11 is a top view of the embodiment depicted in FIG. 7; and,

FIG. 12 is a bottom view of the embodiment depicted in FIG. 7.

The rear views form no part of the design and are omitted. The portions of the drawings appearing in broken line are for environment only and do not form a part of the claimed design.

1 Claim, 8 Drawing Sheets



(56)

References Cited

U.S. PATENT DOCUMENTS

D360,780 S 8/1995 Kennedy, Jr.
D426,985 S 6/2000 Casalino
D593,545 S 6/2009 Jackson
7,642,912 B2 1/2010 Sholem
D616,836 S 6/2010 Felegy, Jr. et al.
D619,105 S 7/2010 Felegy, Jr. et al.
D619,544 S 7/2010 Petrillo et al.
D619,971 S 7/2010 Felegy, Jr. et al.
D627,307 S 11/2010 Petrillo et al.

D636,739 S 4/2011 Petrillo et al.
D640,209 S 6/2011 Felegy, Jr. et al.
D658,594 S 5/2012 Felegy, Jr. et al.
D661,664 S 6/2012 Felegy, Jr. et al.
D666,162 S 8/2012 Petrillo
D669,038 S 10/2012 Felegy, Jr. et al.
8,330,638 B2 12/2012 Altonen et al.
8,469,204 B1 6/2013 Bradshaw
D694,197 S 11/2013 Felegy, Jr. et al.
D704,151 S * 5/2014 Jacoby et al. D13/168
D704,153 S * 5/2014 Altonen et al. D13/168

* cited by examiner

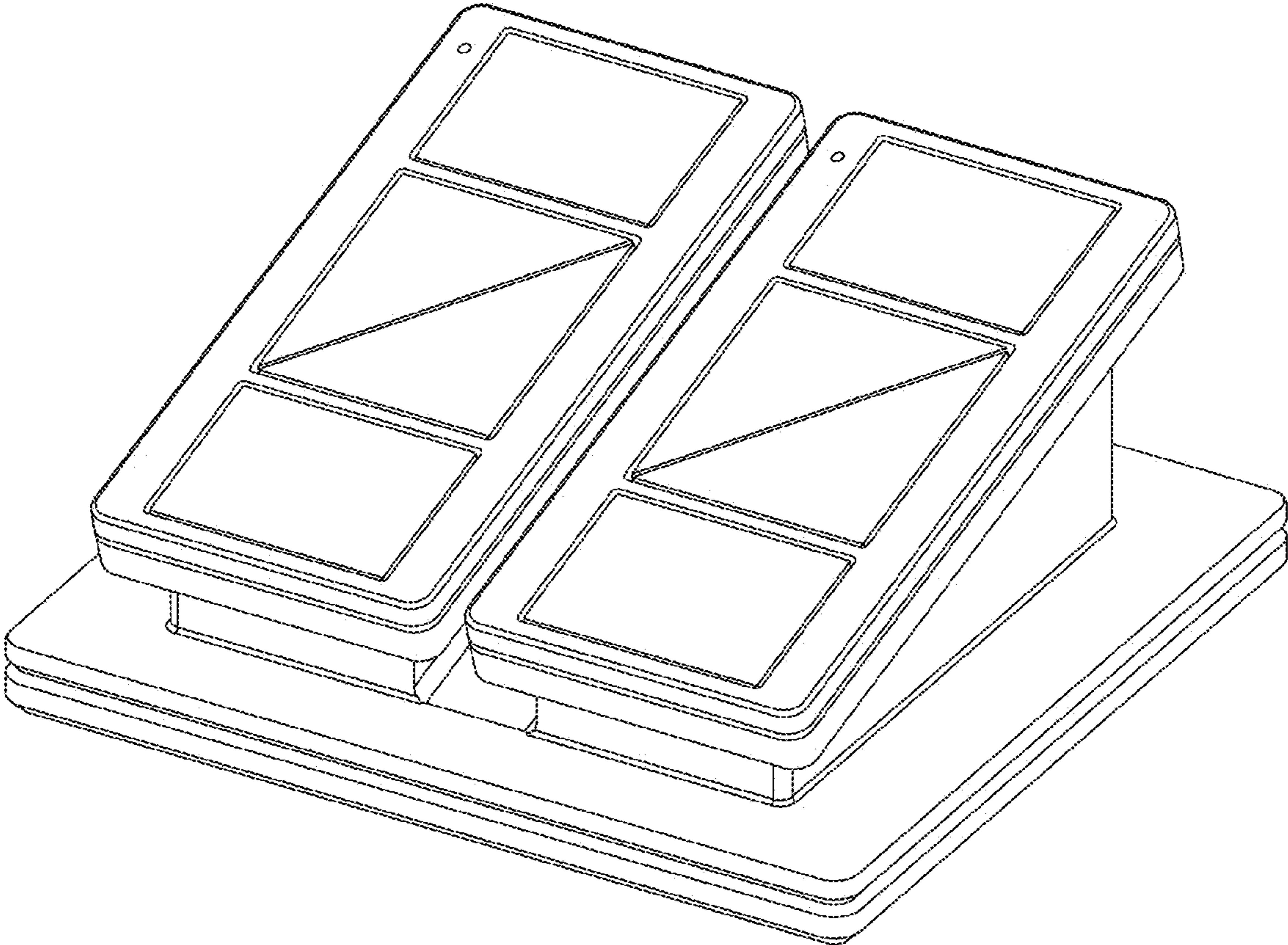


Fig. 1

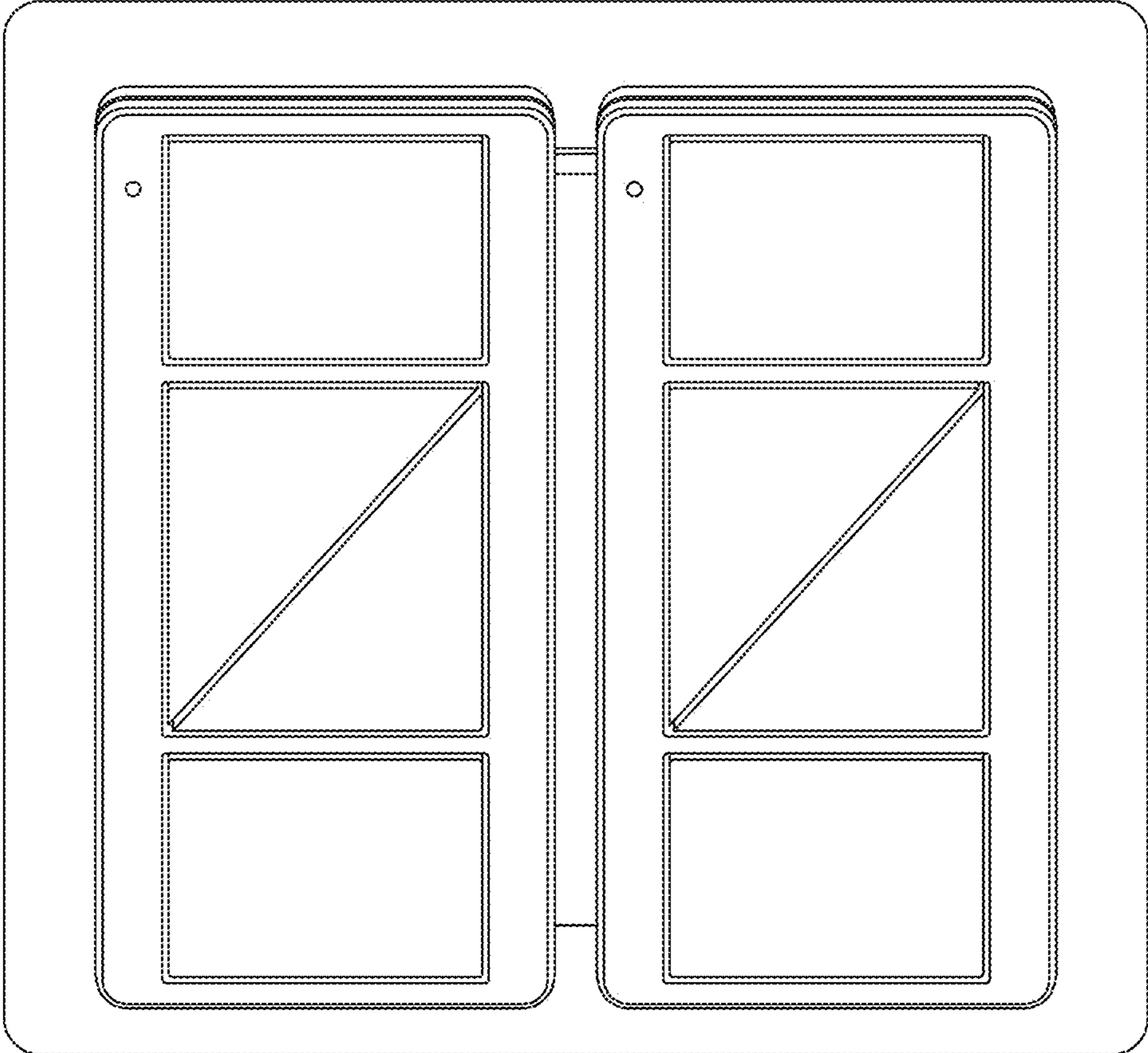


Fig. 2

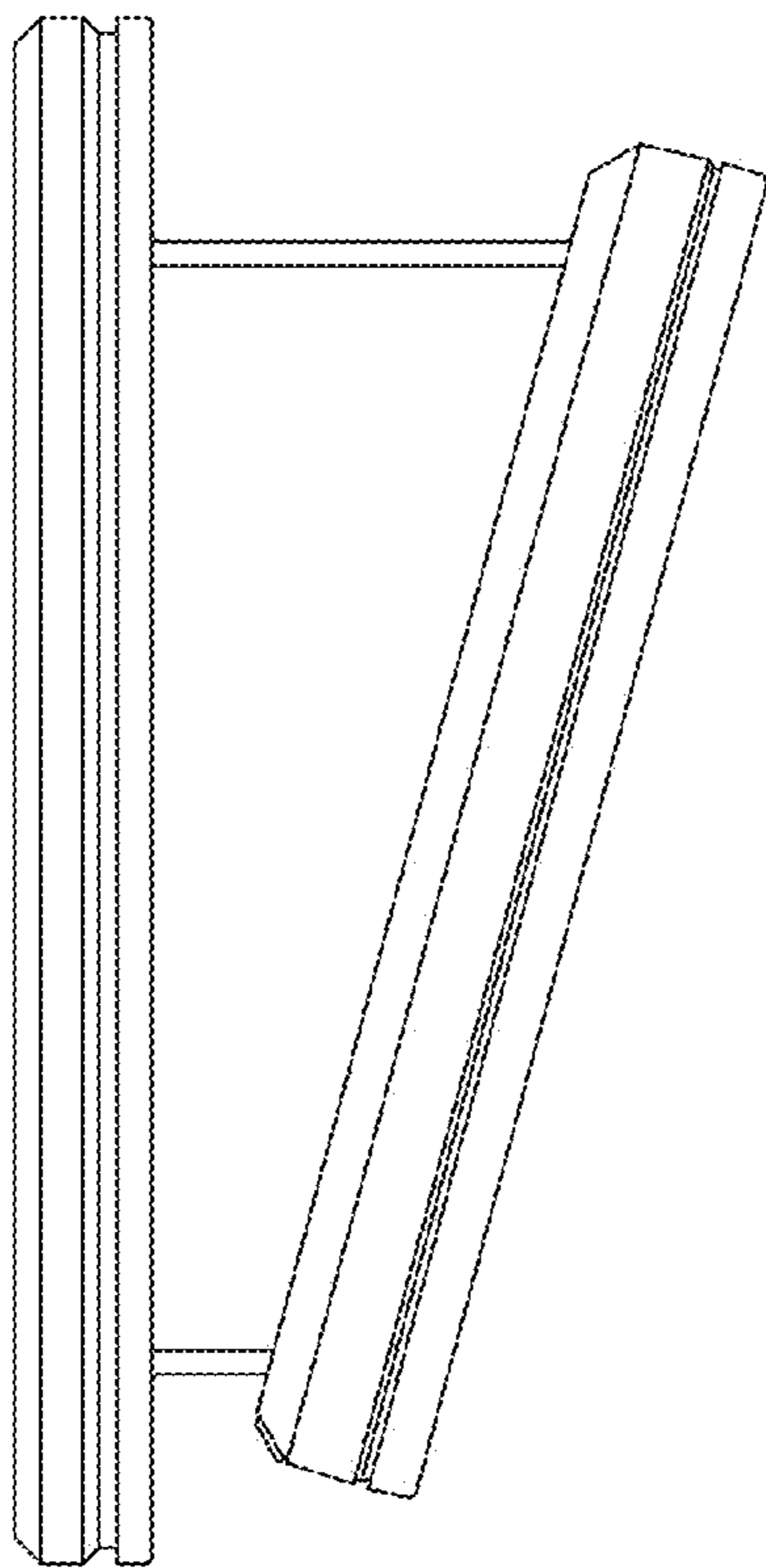


Fig. 3

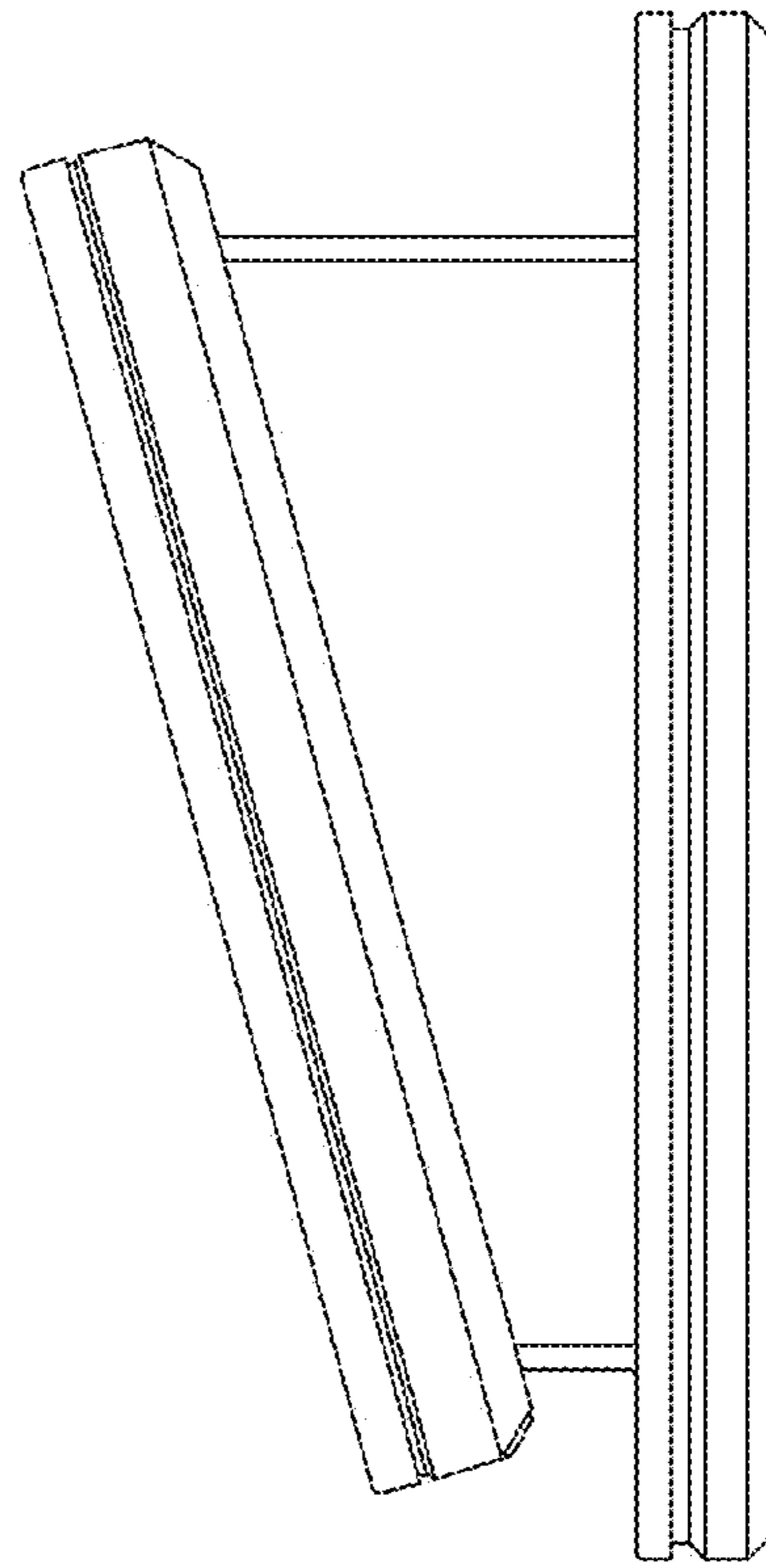


Fig. 4

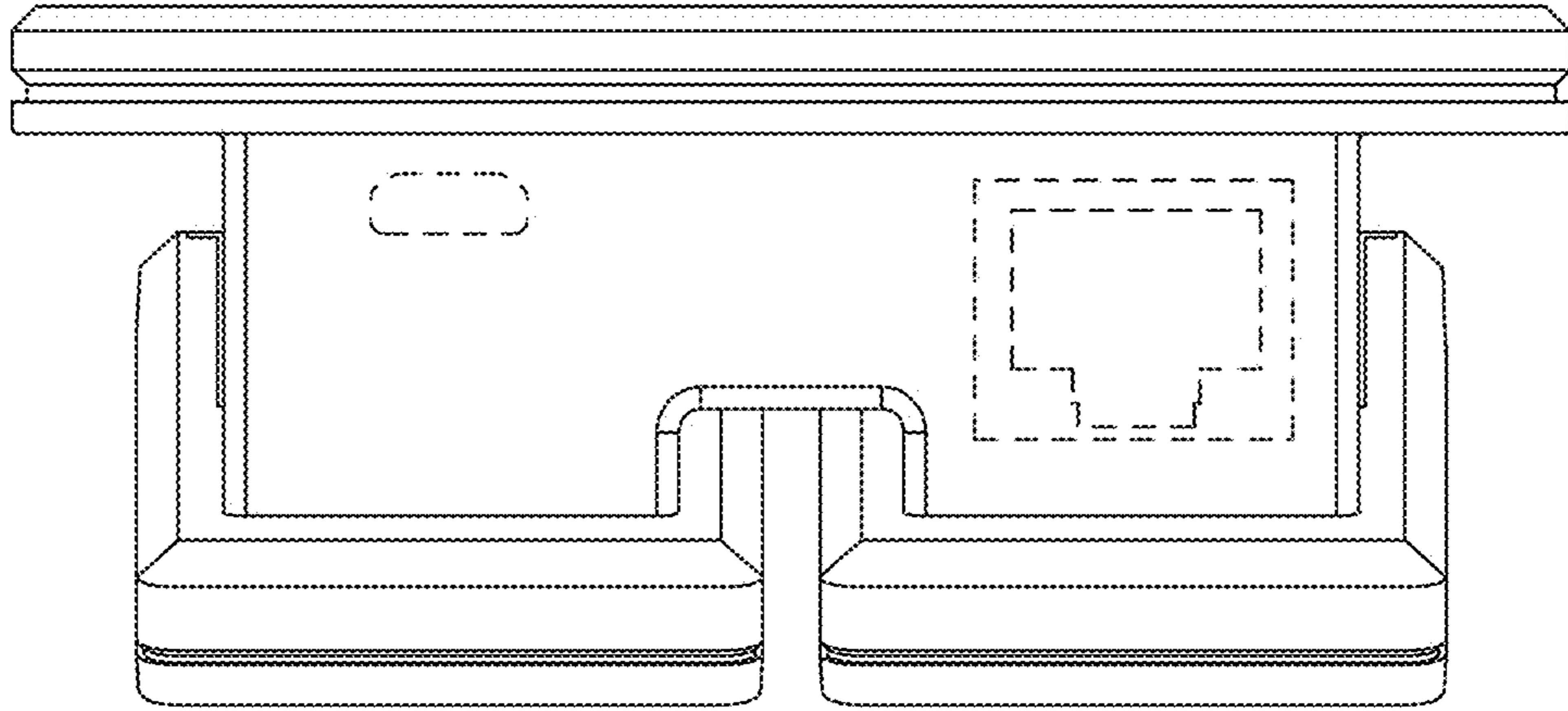


Fig. 5

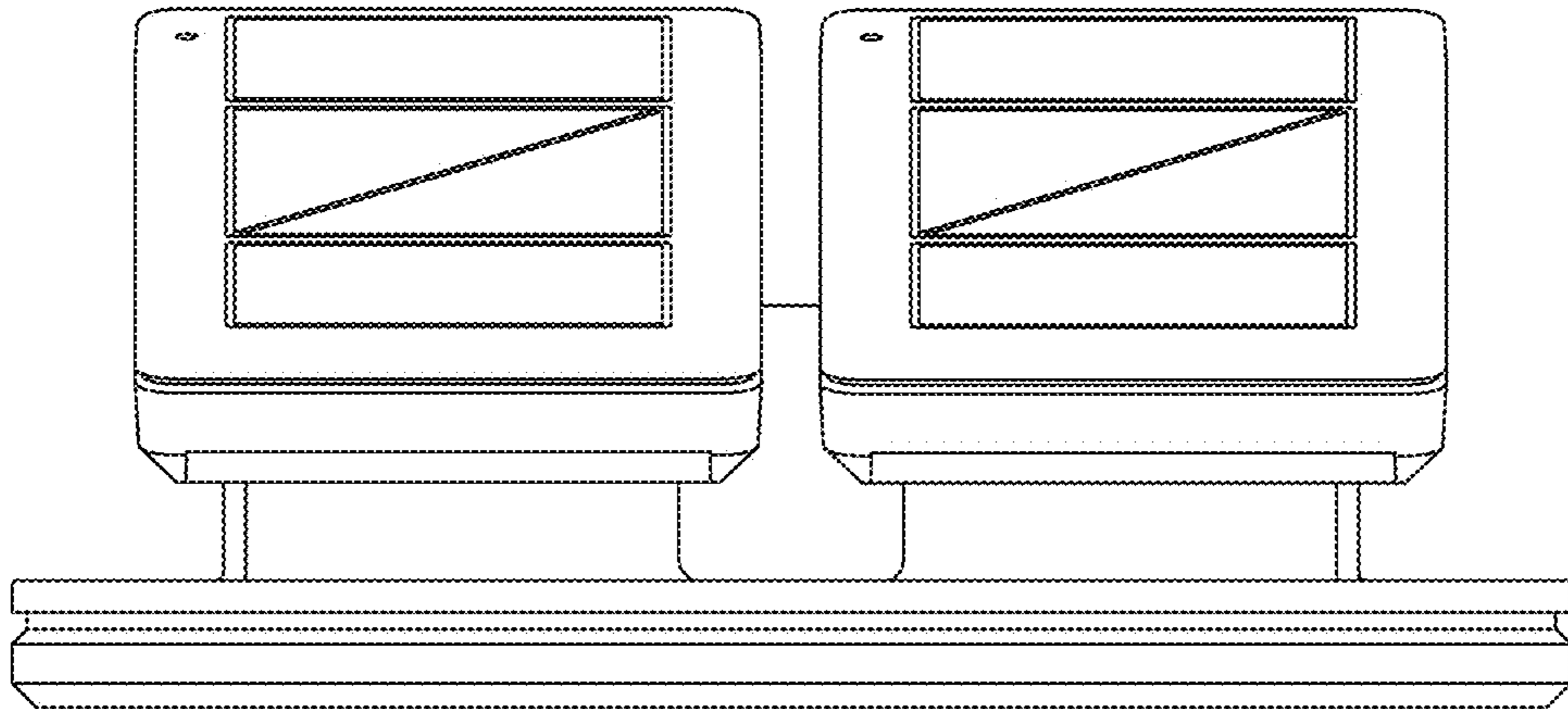


Fig. 6

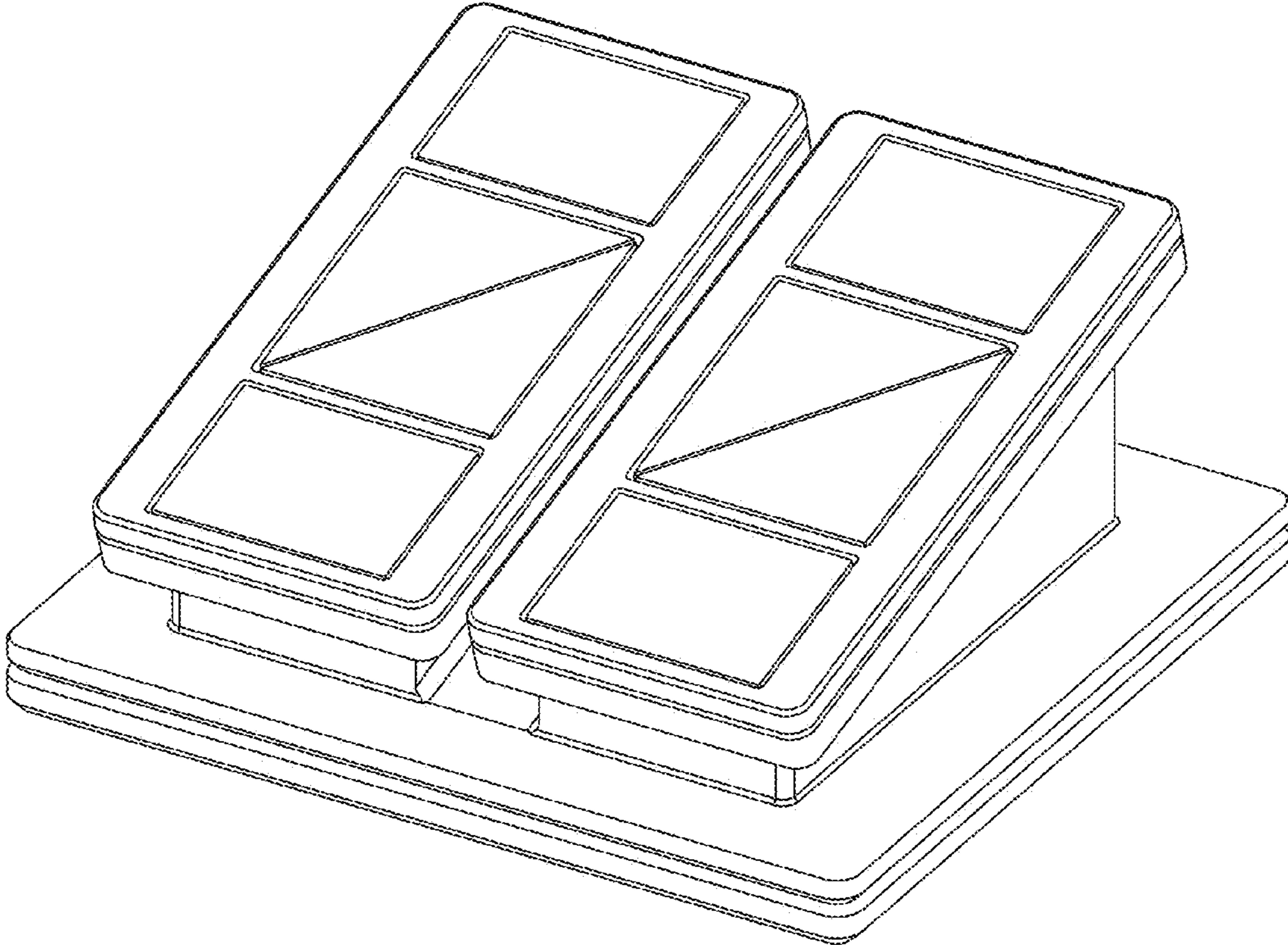


Fig. 7

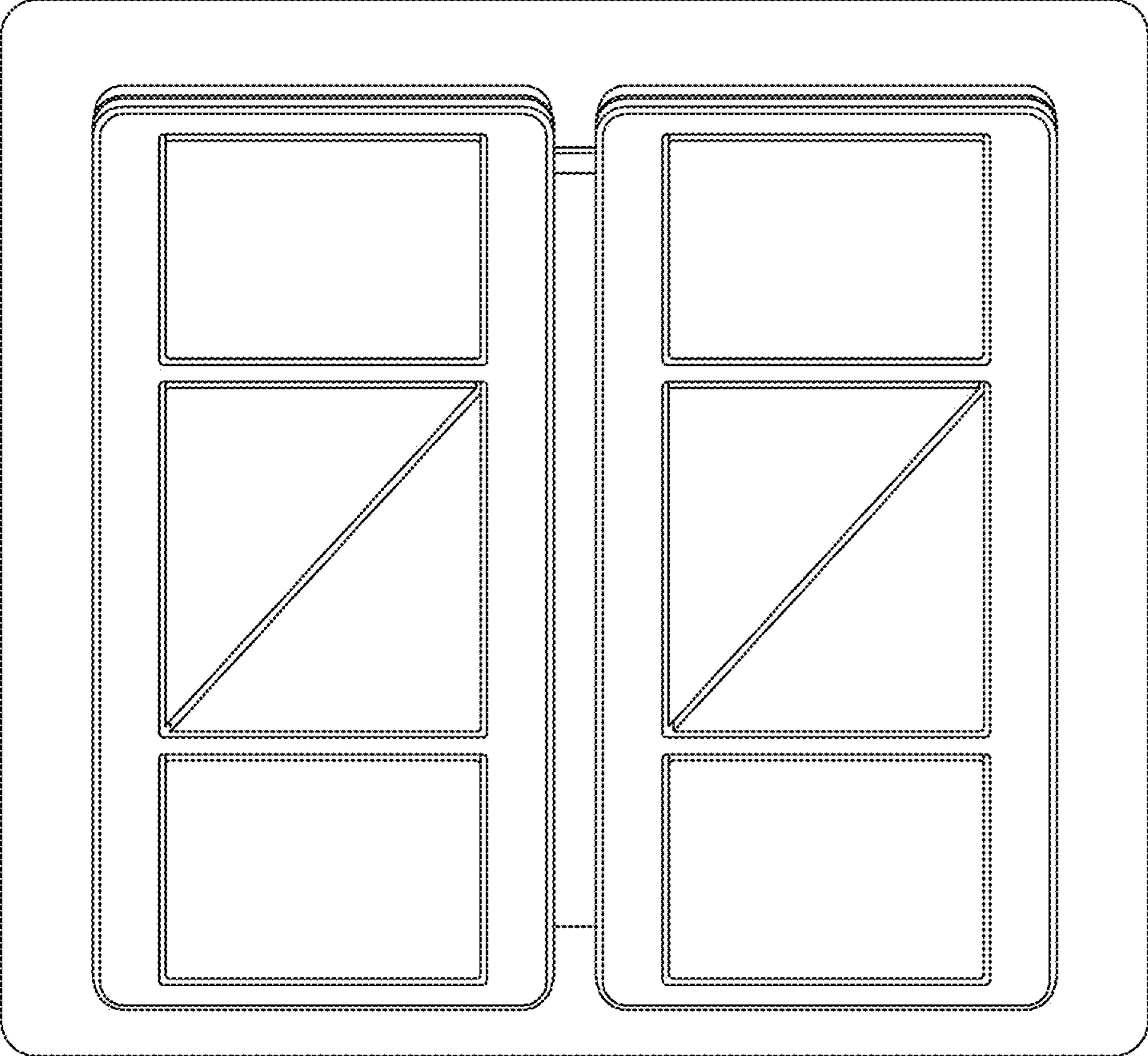


Fig. 8

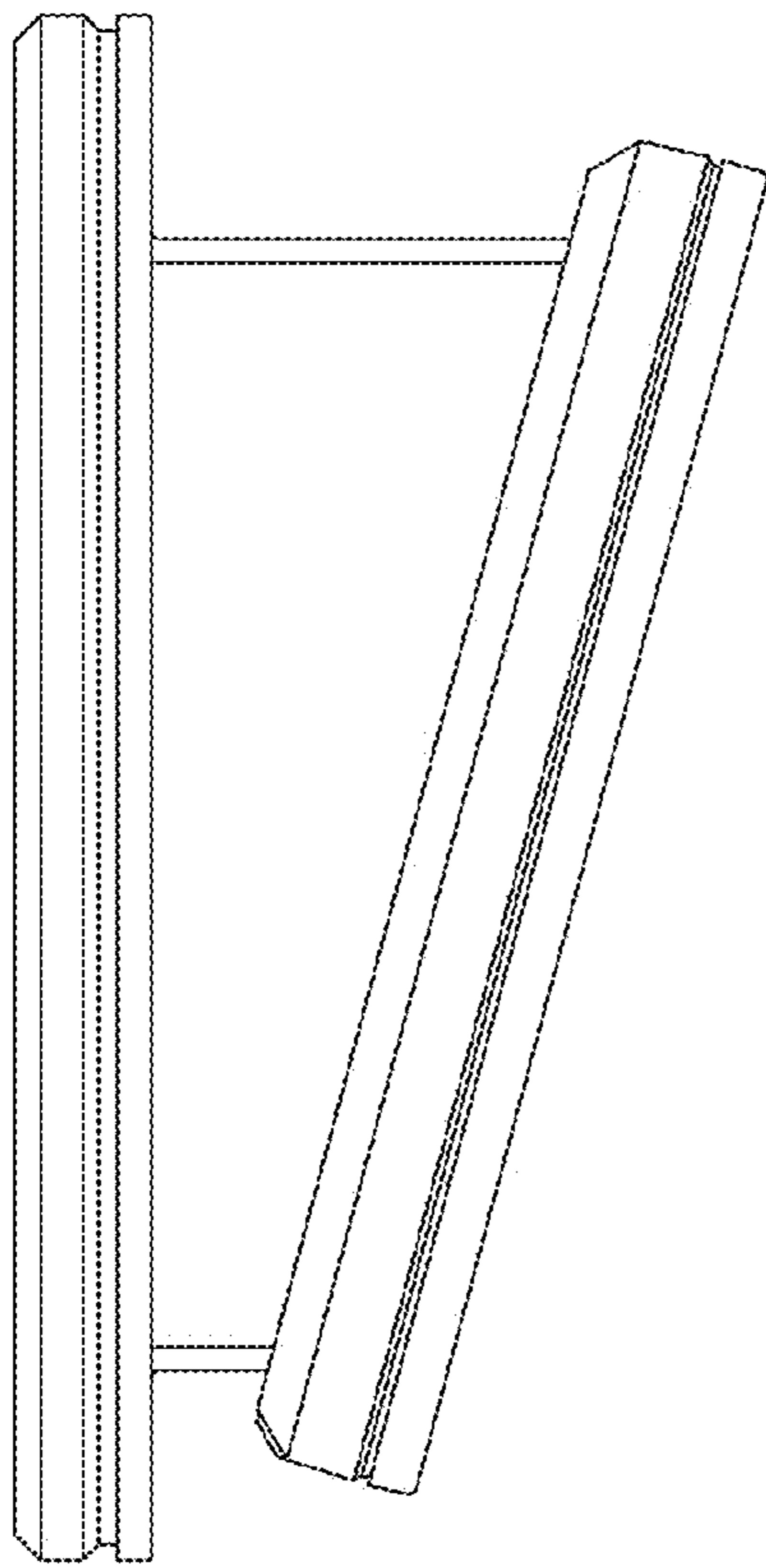


Fig. 9

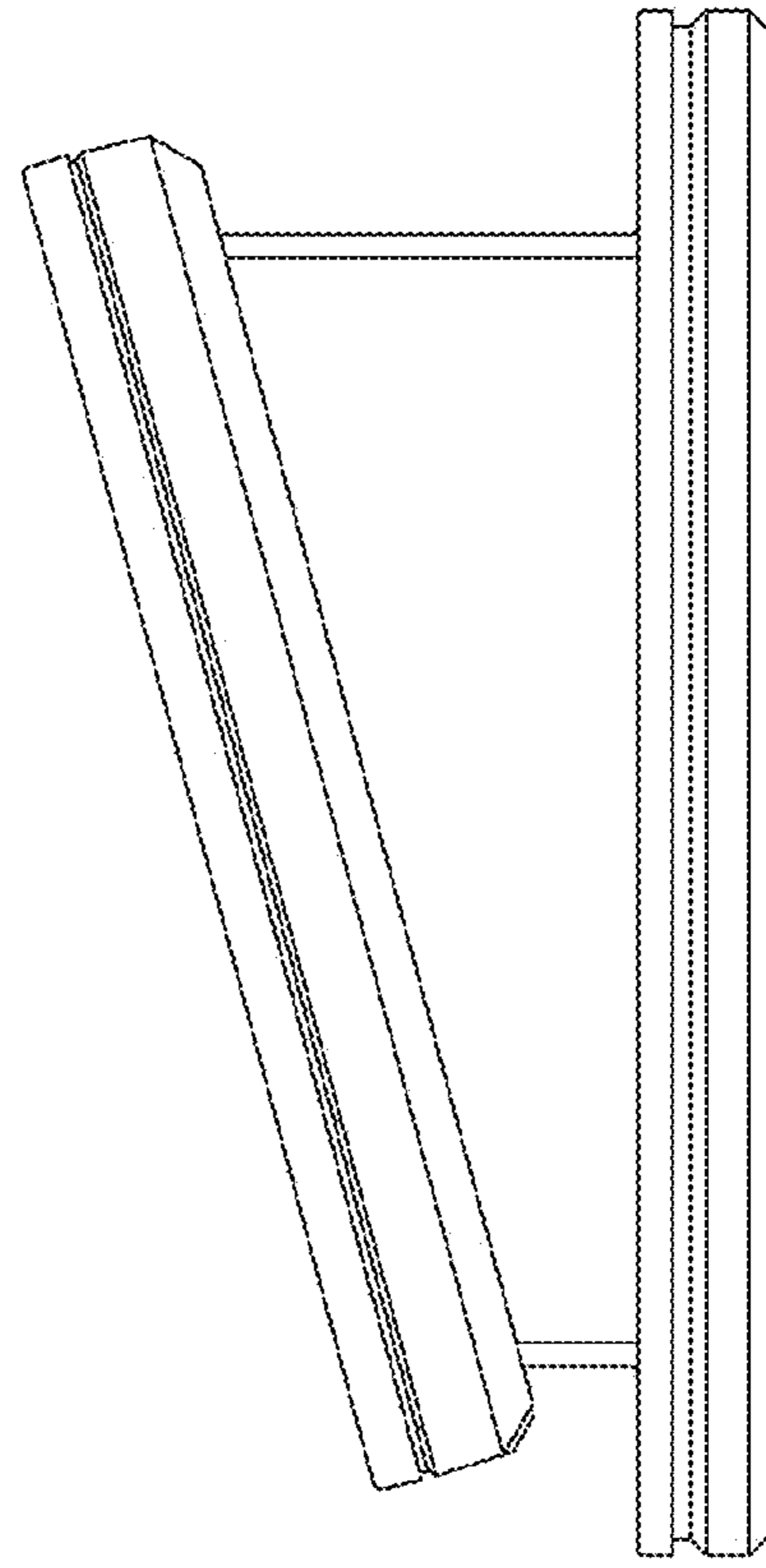


Fig. 10

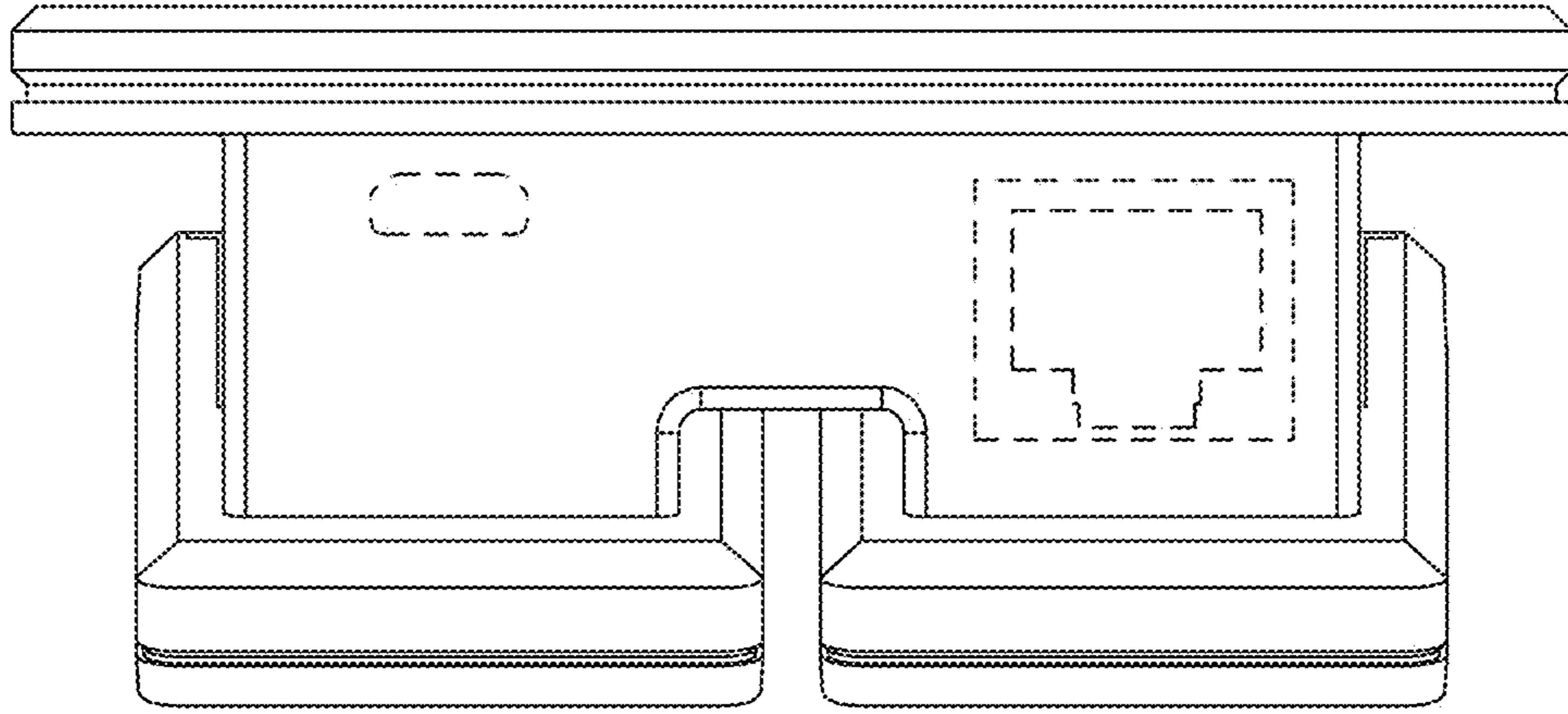


Fig. 11

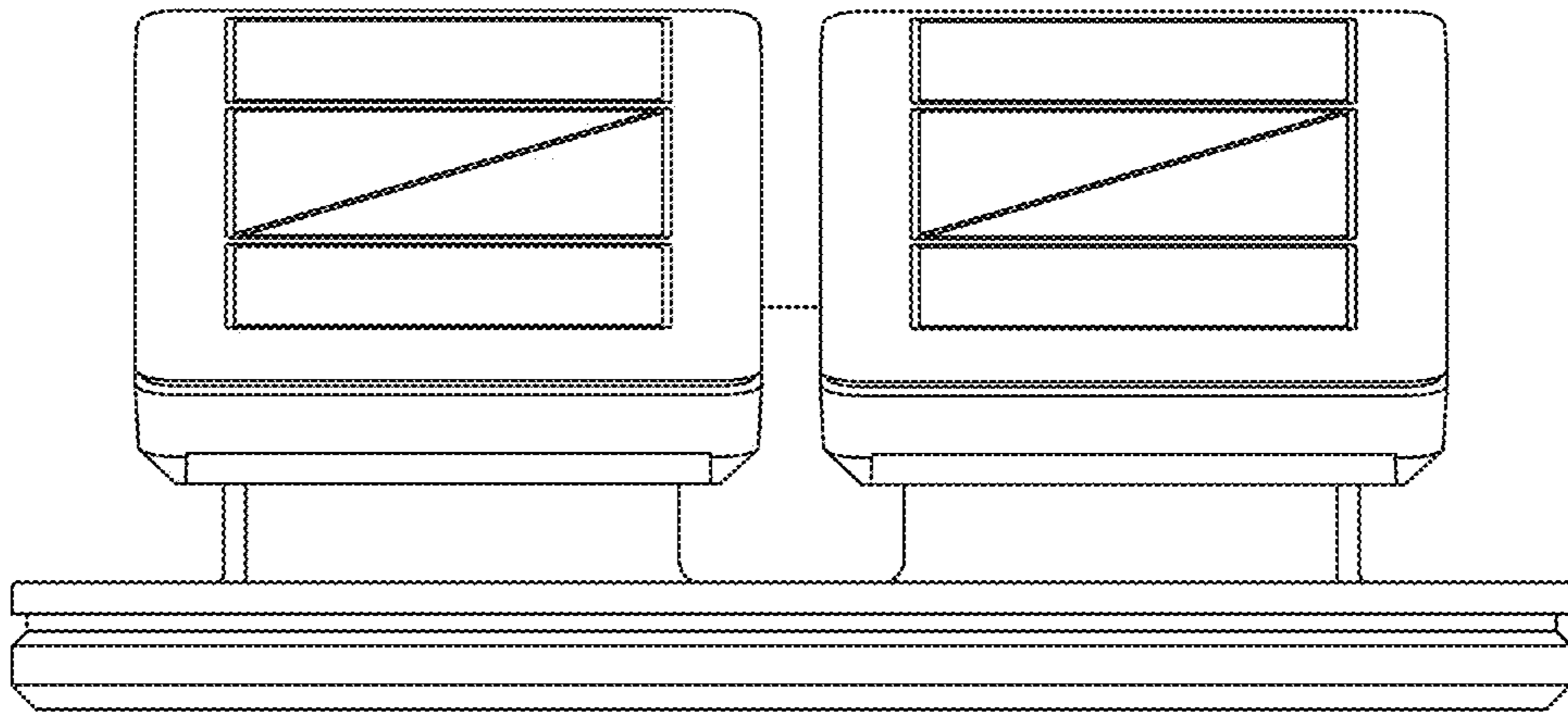


Fig. 12