



US00D733656S

(12) **United States Design Patent**
Anderssen et al.

(10) **Patent No.:** **US D733,656 S**
(45) **Date of Patent:** **** Jul. 7, 2015**

- (54) **ELECTRICAL CONNECTOR**
- (71) Applicant: **Evado Filip Holding Ltd.**, London (GB)
- (72) Inventors: **Torbjørn Anderssen**, Oslo (NO); **Sten Kirkbak**, Trondheim (NO); **Pål Selnaes**, Morrisville, NC (US); **William Herbert Darden, IV**, Cary, NC (US); **Espen Voll**, Oslo (NO)
- (73) Assignee: **Evado Filip Holding Ltd.**, London (GB)
- (**) Term: **14 Years**
- (21) Appl. No.: **29/441,445**
- (22) Filed: **Jan. 4, 2013**
- (51) **LOC (10) Cl.** **13-03**
- (52) **U.S. Cl.**
USPC **D13/147**
- (58) **Field of Classification Search**
USPC D13/107, 133, 146, 147, 153, 184, 199;
D10/65, 70, 104.2, 106.3, 106.4,
D10/106.92, 106.94
CPC H01R 4/00; H01R 4/26; H01R 12/00;
H01R 13/40; H01R 24/38; H01R 24/58;
H01R 27/00; H01R 29/00; H01R 31/06;
H01R 33/00; H01R 2201/02; H01R 2201/20;
H01R 2201/24
See application file for complete search history.

(56) **References Cited**

U.S. PATENT DOCUMENTS

D346,125 S *	4/1994	Cote et al.	D10/104.2
D490,117 S *	5/2004	Butcher	D21/300
D531,125 S *	10/2006	Wang et al.	D13/147
D537,431 S *	2/2007	Kim et al.	D14/138 AD
D576,024 S *	9/2008	Mazzocco	D8/382
D581,927 S *	12/2008	Sumii	D14/356
D596,570 S *	7/2009	Spivey	D13/133
D598,018 S *	8/2009	Sumii	D14/356
D606,532 S *	12/2009	de Jong et al.	D14/250
D622,929 S *	9/2010	Anderson	D1/127
D665,966 S *	8/2012	Anderson	D1/106

D687,328 S *	8/2013	Clymer et al.	D10/70
D692,784 S *	11/2013	Anderssen et al.	D10/70
D693,249 S *	11/2013	Anderssen et al.	D10/65
D693,250 S *	11/2013	Anderssen et al.	D10/65
D693,251 S *	11/2013	Anderssen et al.	D10/70
D693,986 S *	11/2013	Pearson	D1/115
D695,990 S *	12/2013	Pearson	D1/115
D700,080 S *	2/2014	Broadbent et al.	D10/65
D717,674 S *	11/2014	Vu et al.	D10/65
D717,678 S *	11/2014	Anderssen et al.	D10/98
D717,679 S *	11/2014	Anderssen et al.	D10/98

* cited by examiner

Primary Examiner — Eric Goodman

Assistant Examiner — Sanjeev Paul

(74) *Attorney, Agent, or Firm* — Ballard Spahr LLP

(57) **CLAIM**

The ornamental design for an electrical connector, as shown and described.

DESCRIPTION

FIG. 1 is a top perspective view of a first embodiment of an electrical connector showing our new design.

FIG. 2 is a bottom perspective view of the electrical connector.

FIG. 3 is a top view of the electrical connector.

FIG. 4 is a bottom view of the electrical connector.

FIG. 5 is a side view of a first side of the electrical connector.

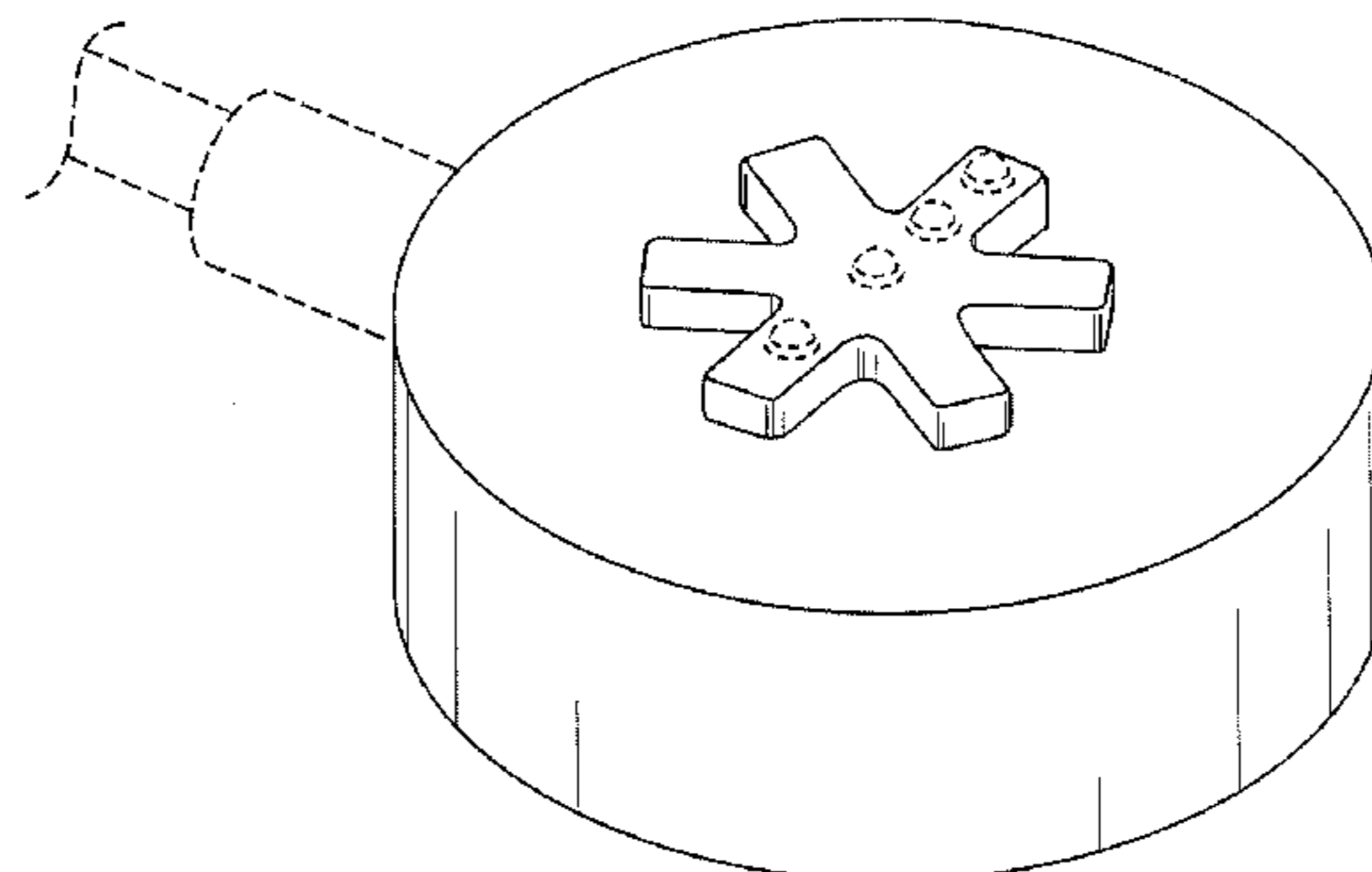
FIG. 6 is a side view of a second side of the electrical connector.

FIG. 7 is a side view of a third side of the electrical connector; and,

FIG. 8 is a side view of a fourth side of the electrical connector.

The surfaces are lined for contour only and no claim is made to any particular surface texture. The broken lines shown in the figures that are immediately adjacent to the shaded areas and define edges or regions that are unshaded, represent the bounds of the claim, while all other broken lines are directed to portions of the electrical connector that do not form a part of the claimed design. The broken lines form no part of the claimed design.

1 Claim, 5 Drawing Sheets



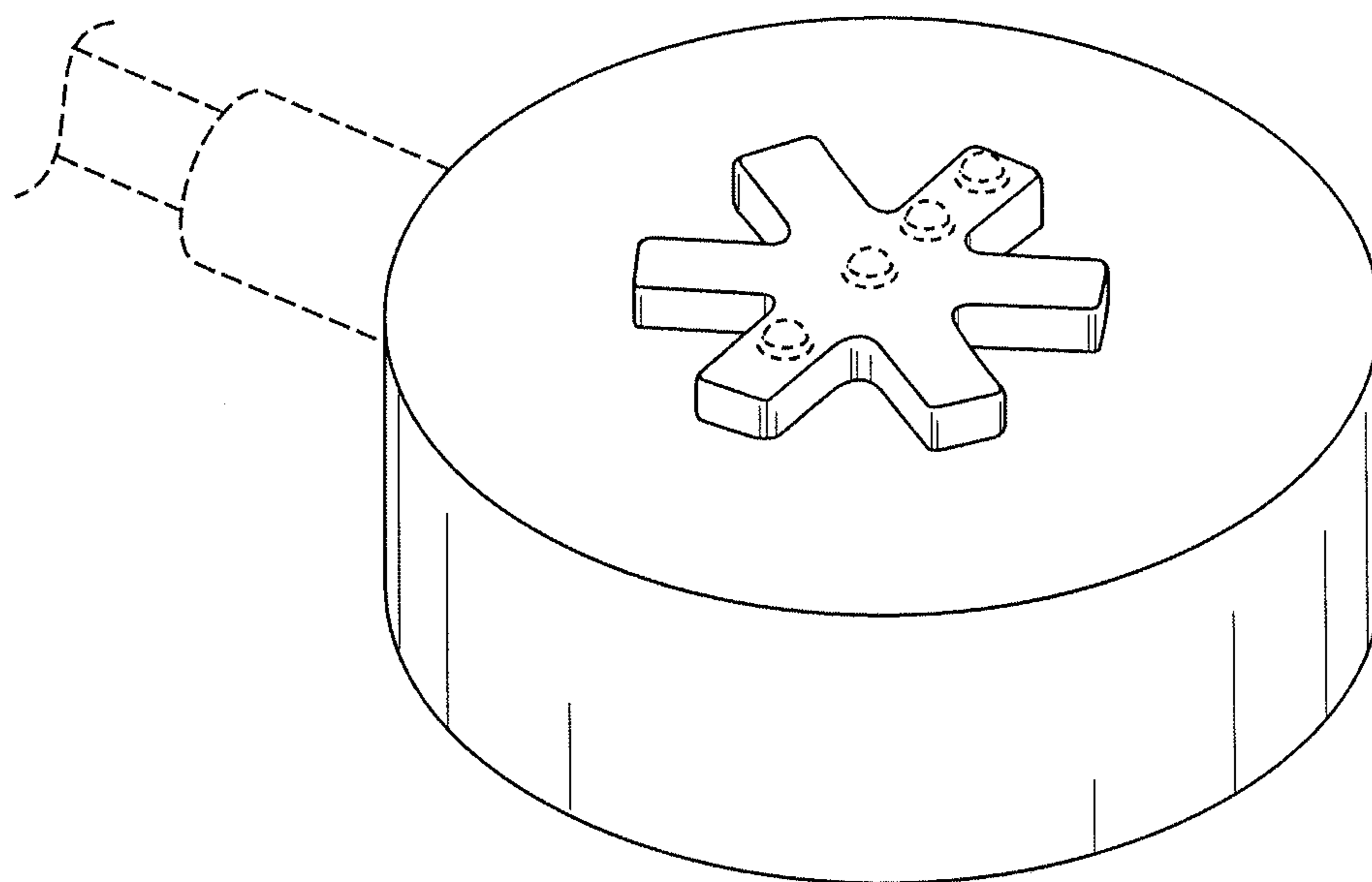


FIG. 1

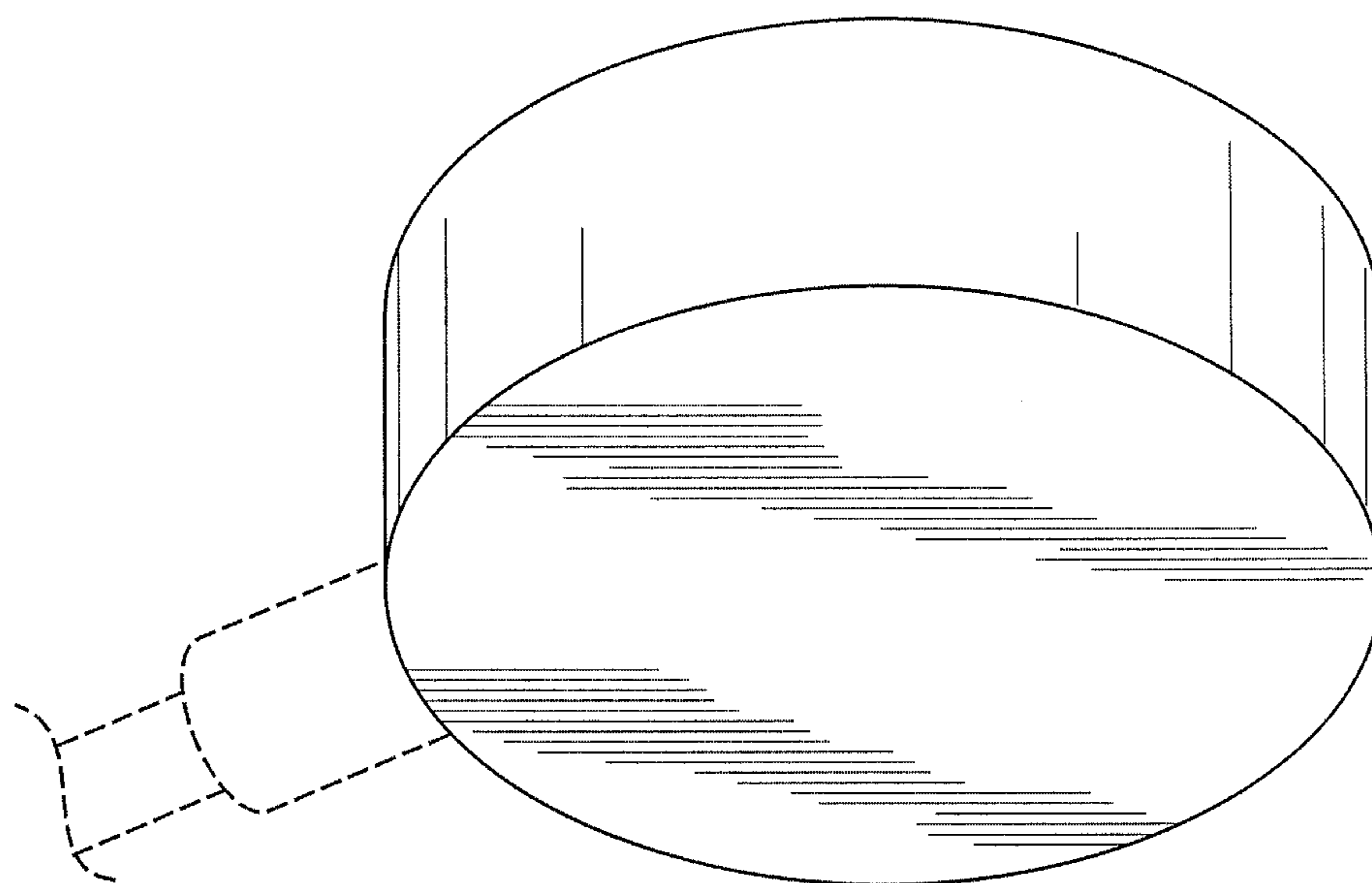


FIG. 2

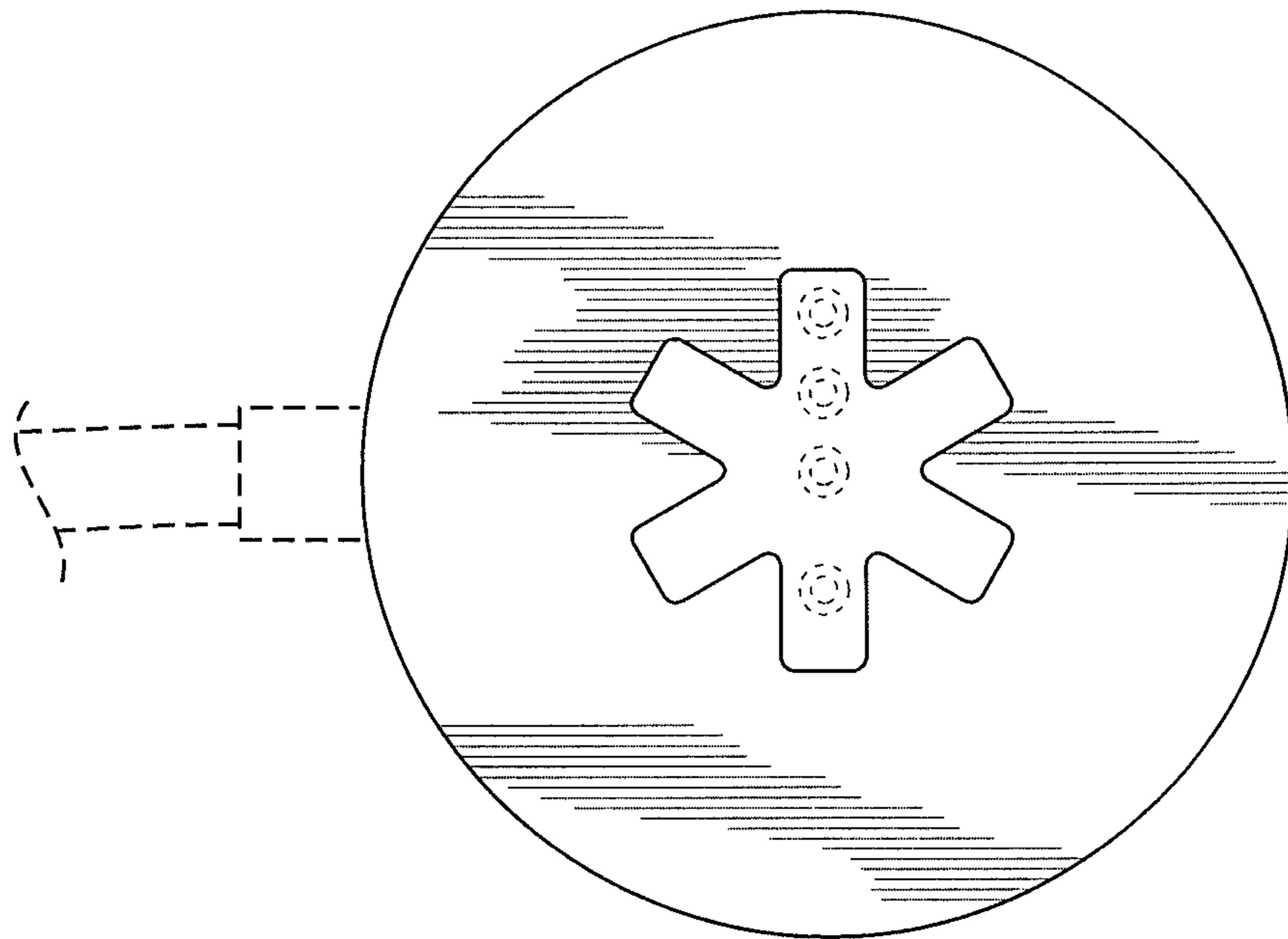


FIG. 3

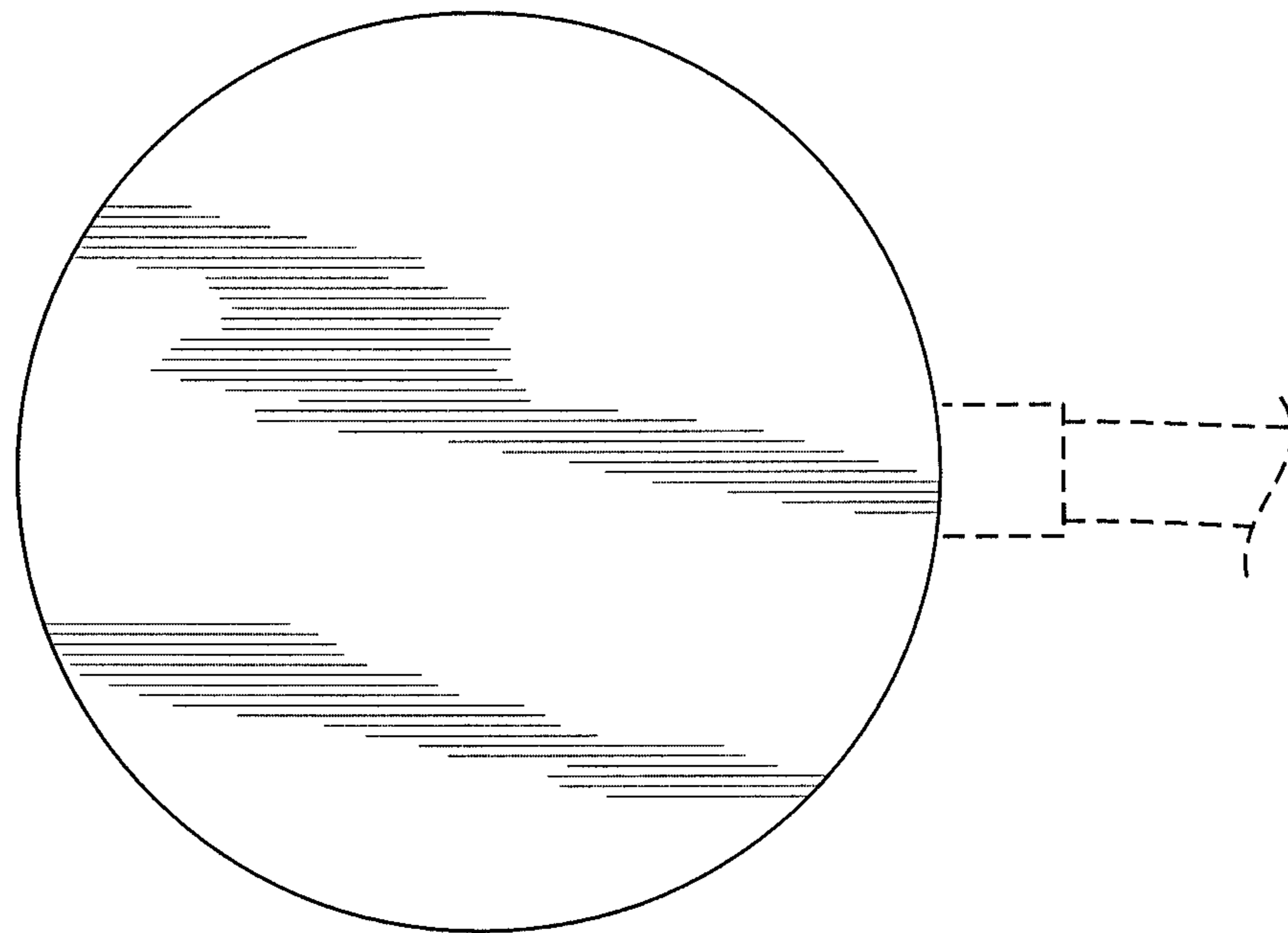


FIG. 4

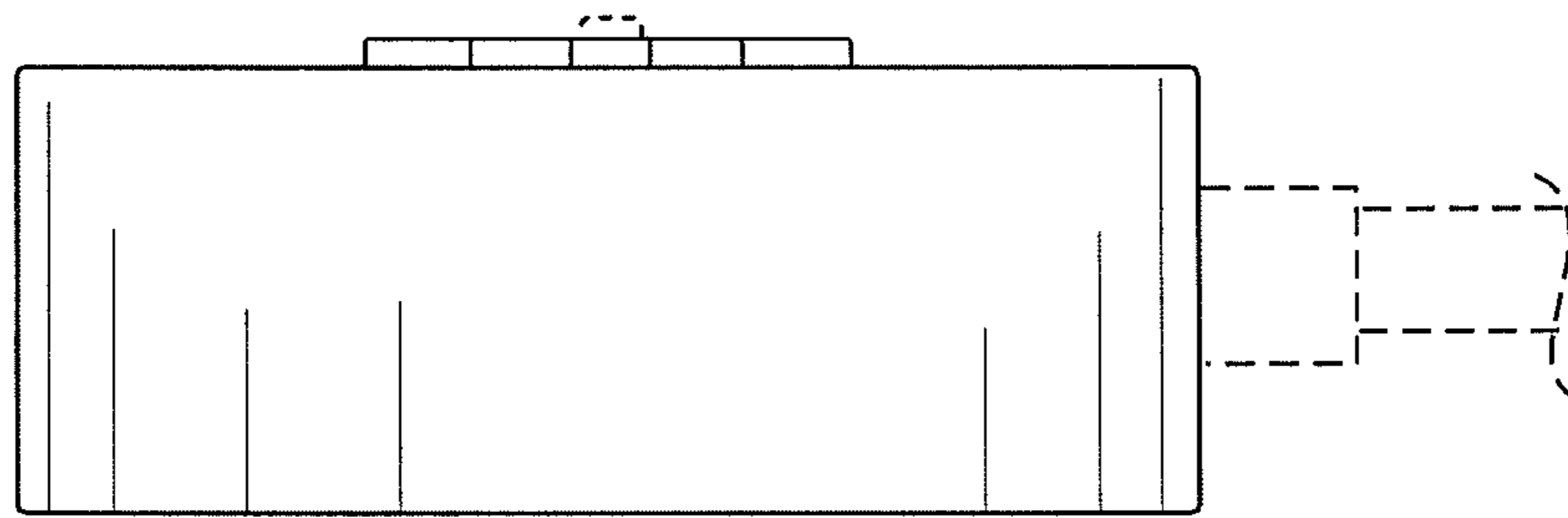


FIG. 5

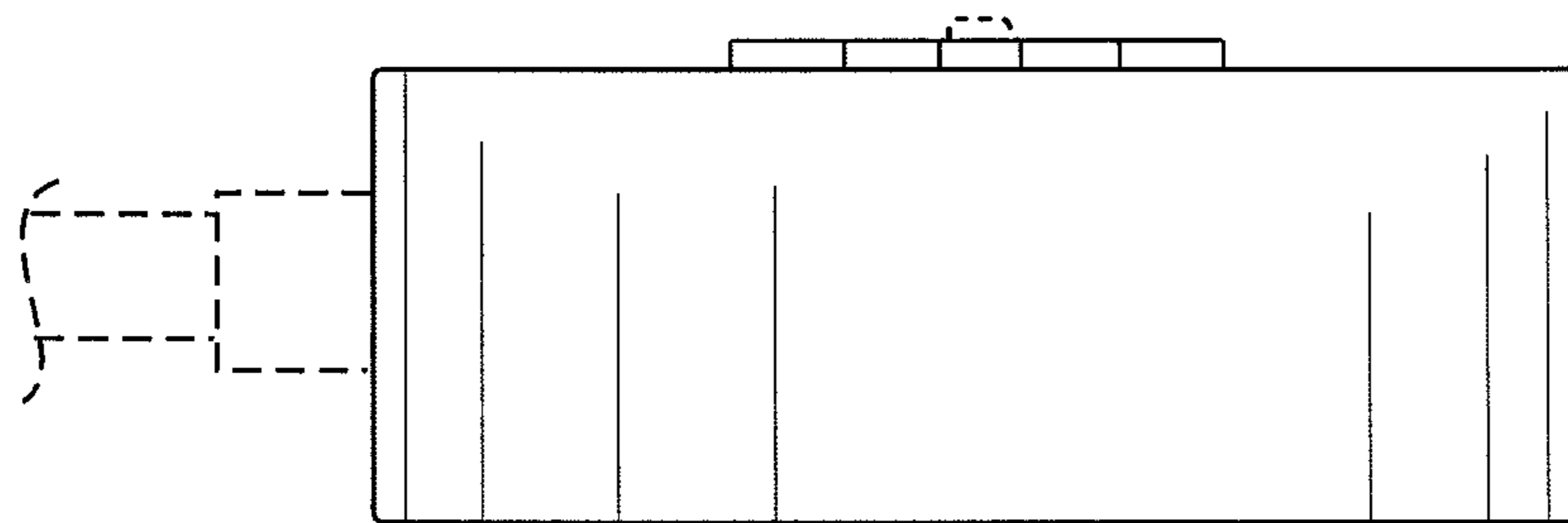


FIG. 6

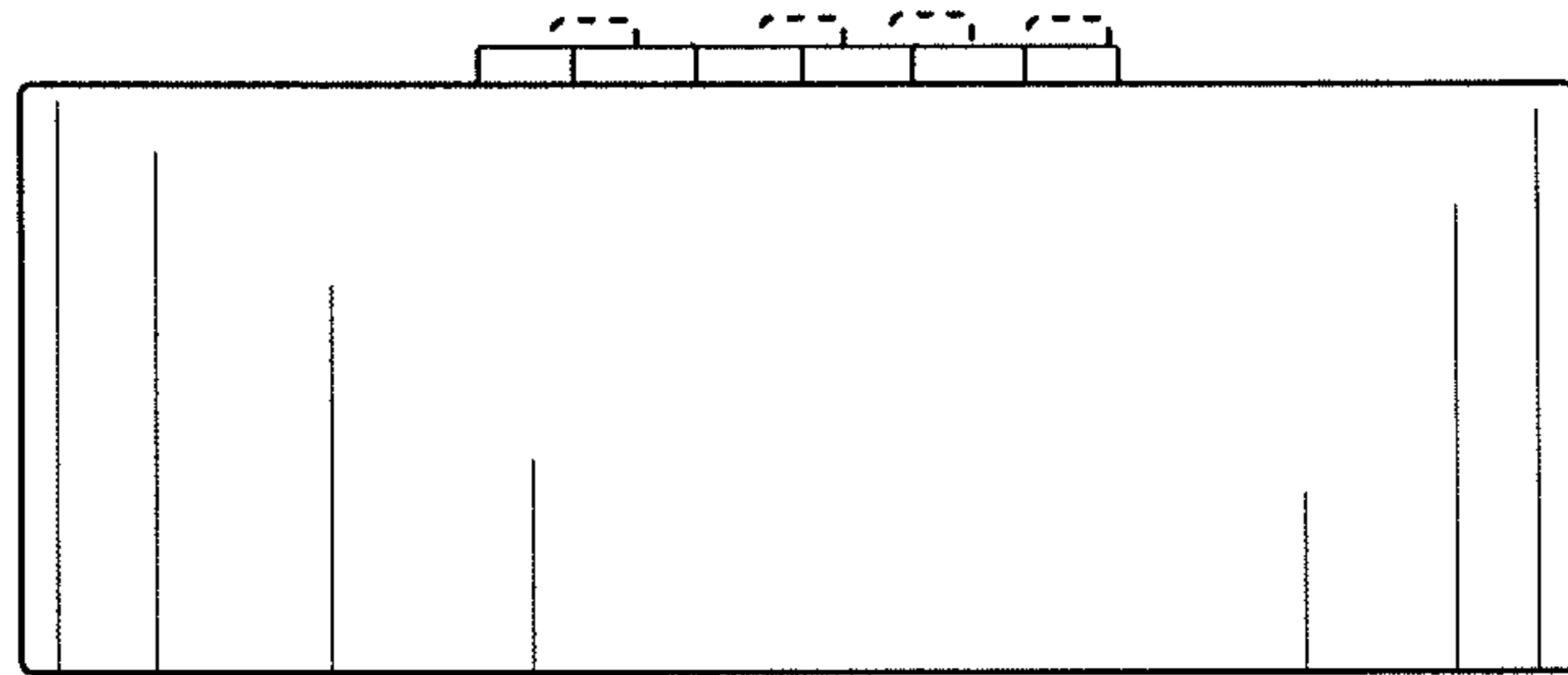


FIG. 7

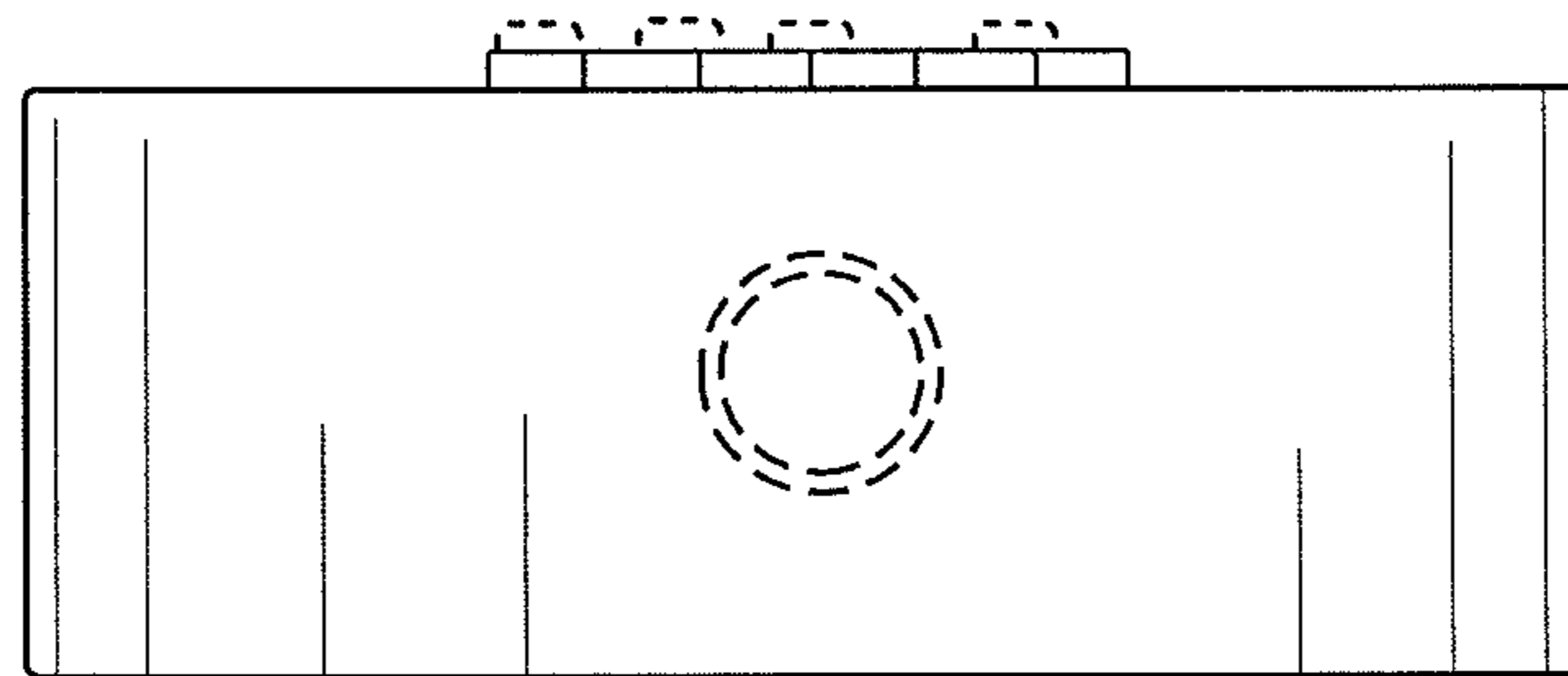


FIG. 8