



US00D733655S

(12) **United States Design Patent**  
**Sato et al.**

(10) **Patent No.:** **US D733,655 S**

(45) **Date of Patent:** **\*\* Jul. 7, 2015**

(54) **HOUSING FOR OPTICAL CONNECTOR**

(56) **References Cited**

(71) Applicants: **Takuya Sato**, Yokohama (JP); **Yasuhiro Masuzaki**, Yokohama (JP); **Hiroshi Miyabayashi**, Koza-gun (JP)

U.S. PATENT DOCUMENTS

D525,203	S	*	7/2006	Bihrer	.....	D13/146
D535,946	S	*	1/2007	Hayashi et al.	.....	D13/133
D536,302	S	*	2/2007	Hayashi et al.	.....	D13/133
D615,496	S	*	5/2010	Mennekes	.....	D13/147
D712,360	S	*	9/2014	Su et al.	.....	D13/147
D722,024	S	*	2/2015	Smith	.....	D13/147
2009/0305542	A1	*	12/2009	Masuzaki	.....	439/335
2014/0065872	A1	*	3/2014	Yamada	.....	439/357

(72) Inventors: **Takuya Sato**, Yokohama (JP); **Yasuhiro Masuzaki**, Yokohama (JP); **Hiroshi Miyabayashi**, Koza-gun (JP)

\* cited by examiner

(73) Assignees: **HIROSE ELECTRIC CO., LTD.**, Tokyo (JP); **SEI Optifrontier Co., Ltd.**, Kanagawa (JP)

*Primary Examiner* — Thomas Johannes

*Assistant Examiner* — Shawn T Gingrich

(\*\*) Term: **14 Years**

(74) *Attorney, Agent, or Firm* — Cozen O'Connor

(21) Appl. No.: **29/476,261**

(57) **CLAIM**

The ornamental design for a housing for optical connector, as shown and described.

(22) Filed: **Dec. 12, 2013**

**DESCRIPTION**

(30) **Foreign Application Priority Data**

Jul. 5, 2013 (JP) ..... 2013-015330

(51) **LOC (10) Cl.** ..... **13-03**

(52) **U.S. Cl.**  
USPC ..... **D13/133**

(58) **Field of Classification Search**  
USPC ..... D13/123, 133, 146-149, 153-156, 184, D13/199  
CPC .... H01R 31/06; H01R 13/6271; H01R 12/70; H01R 13/66; H01R 33/00; H01R 24/00; H01R 25/00; H01R 26/00; H01R 27/00; H01R 28/00; H01R 29/00; H01R 13/20; H01R 13/54

FIG. 1 is a front, perspective view of a housing for an optical connector in accordance with our design;  
FIG. 2 is a back, perspective view thereof;  
FIG. 3 is a front view thereof;  
FIG. 4 is a back view thereof;  
FIG. 5 is a left-side view thereof;  
FIG. 6 is a right-side view thereof;  
FIG. 7 is a top, plan view thereof;  
FIG. 8 is a bottom, plan view thereof;  
FIG. 9 is a cross-sectional view taken in the direction of line 9-9 of FIG. 3; and,  
FIG. 10 is a cross-sectional view taken in the direction of line 10-10 of FIG. 3.

See application file for complete search history.

**1 Claim, 5 Drawing Sheets**

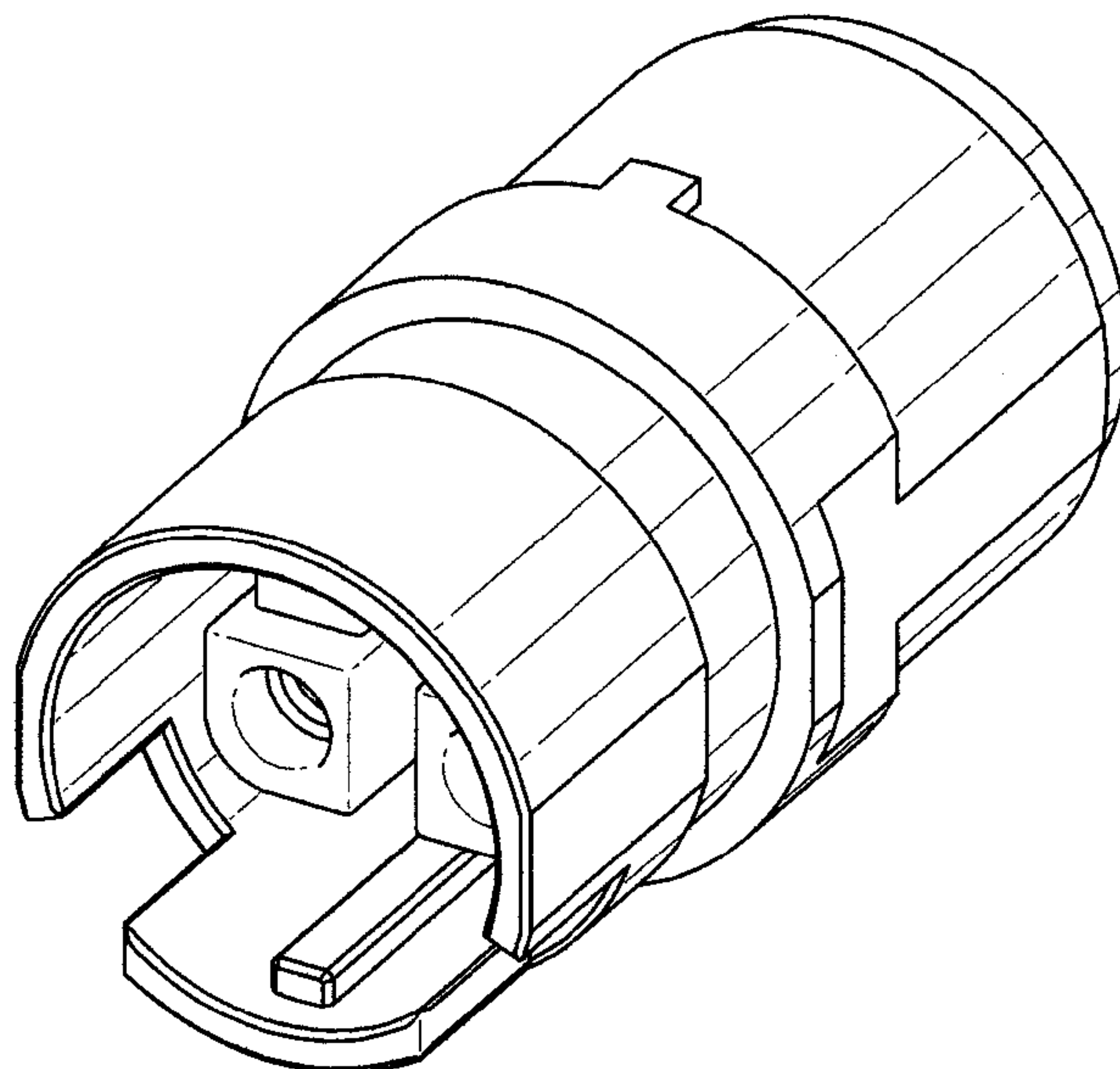


FIG. 1

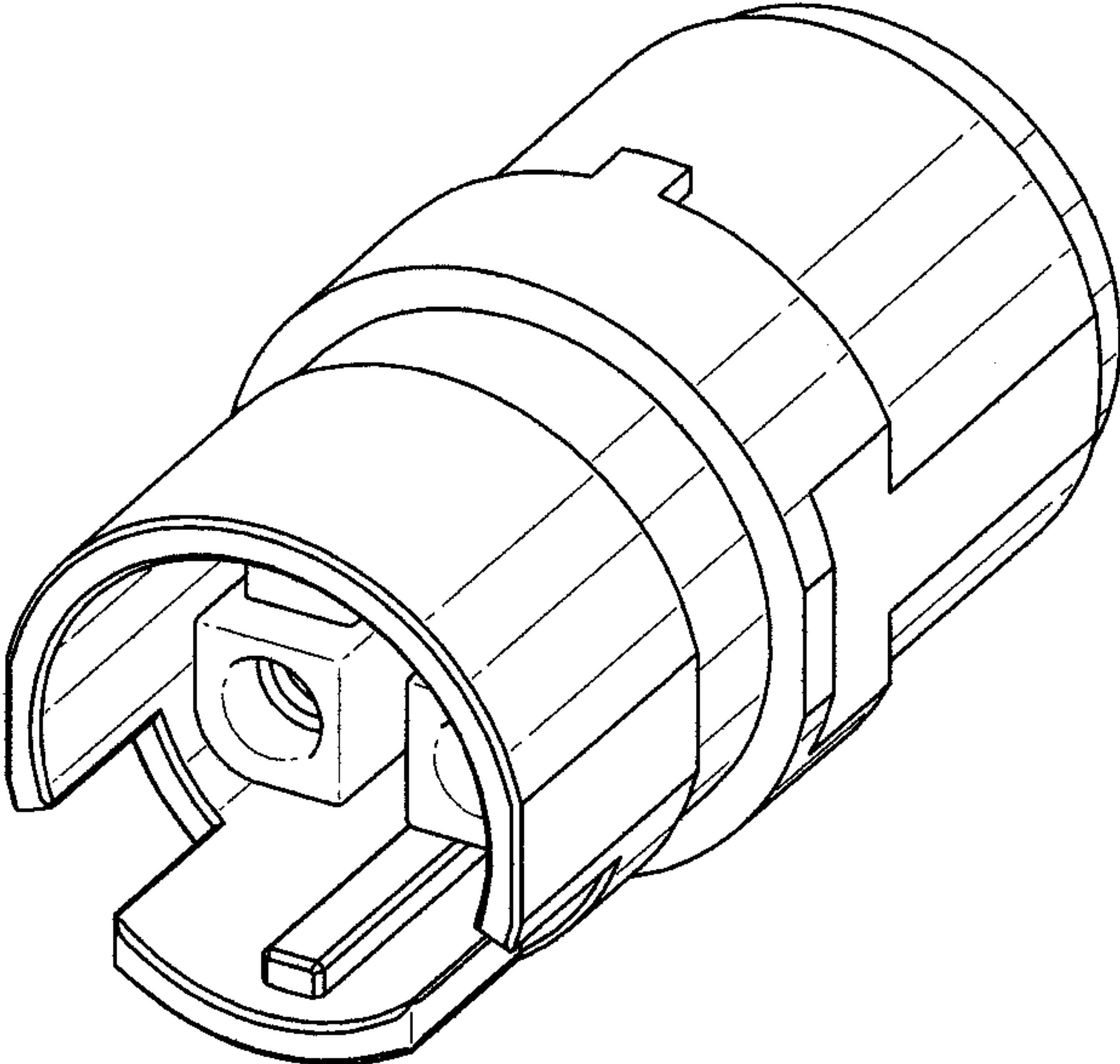


FIG. 2

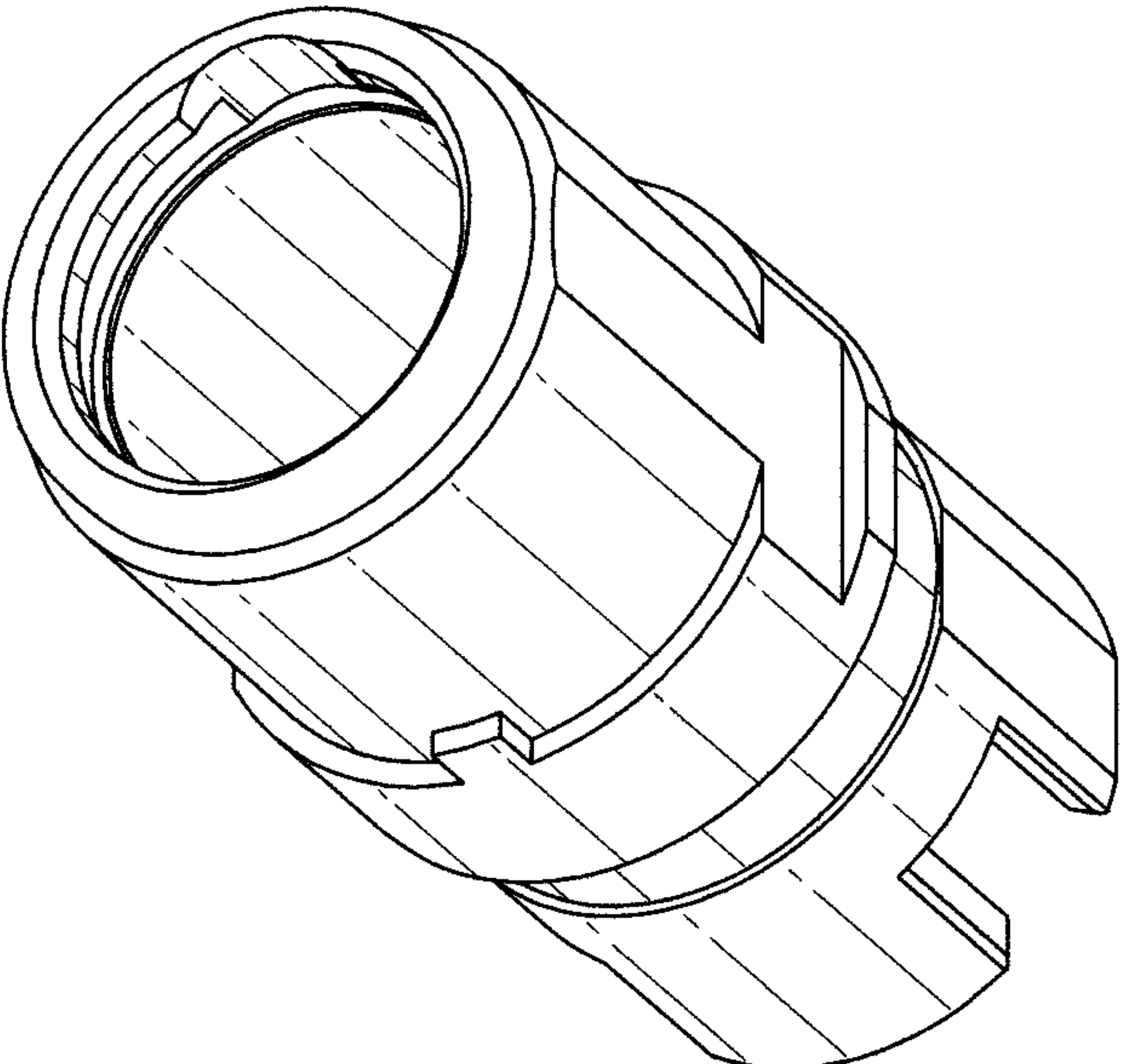


FIG.3

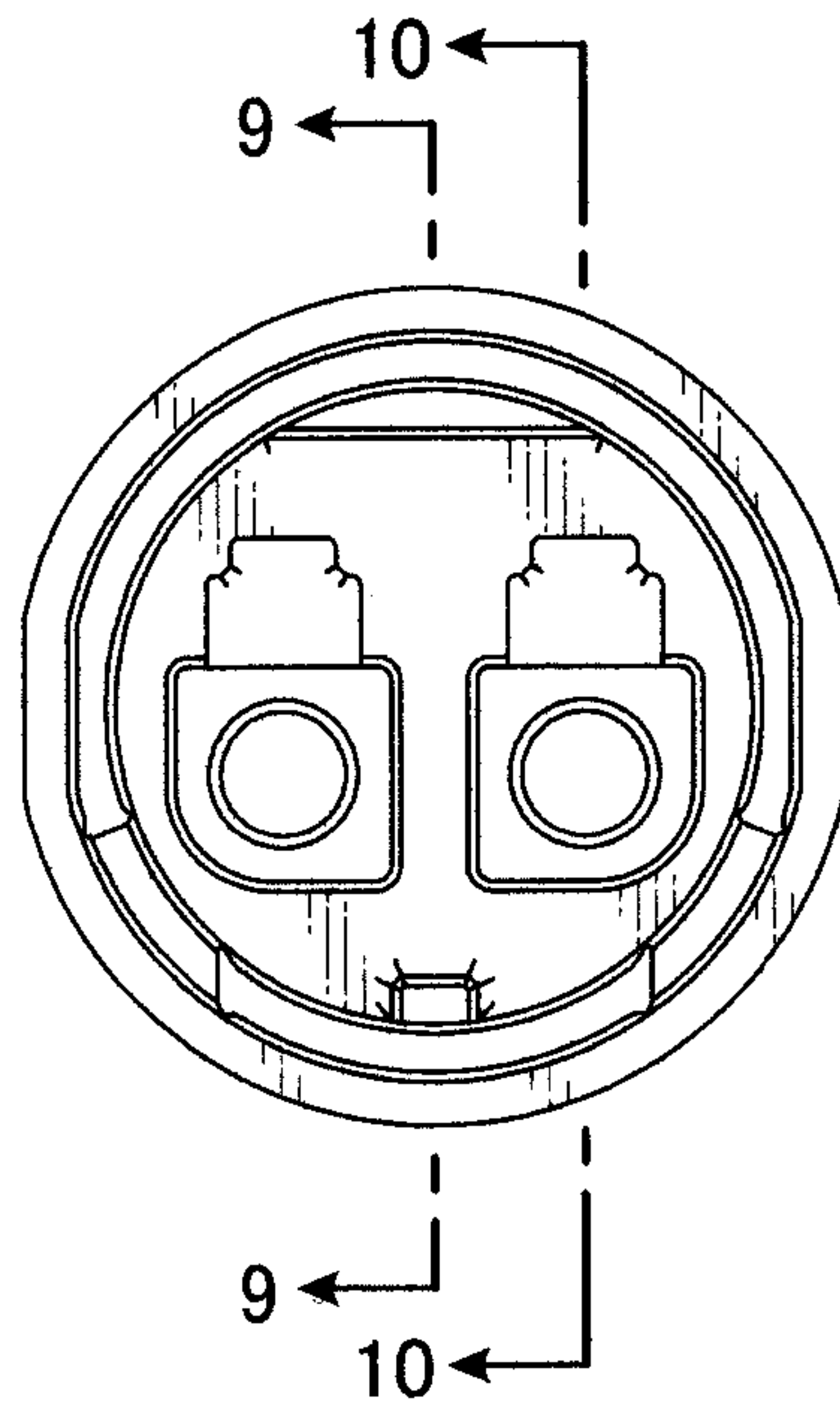


FIG.4

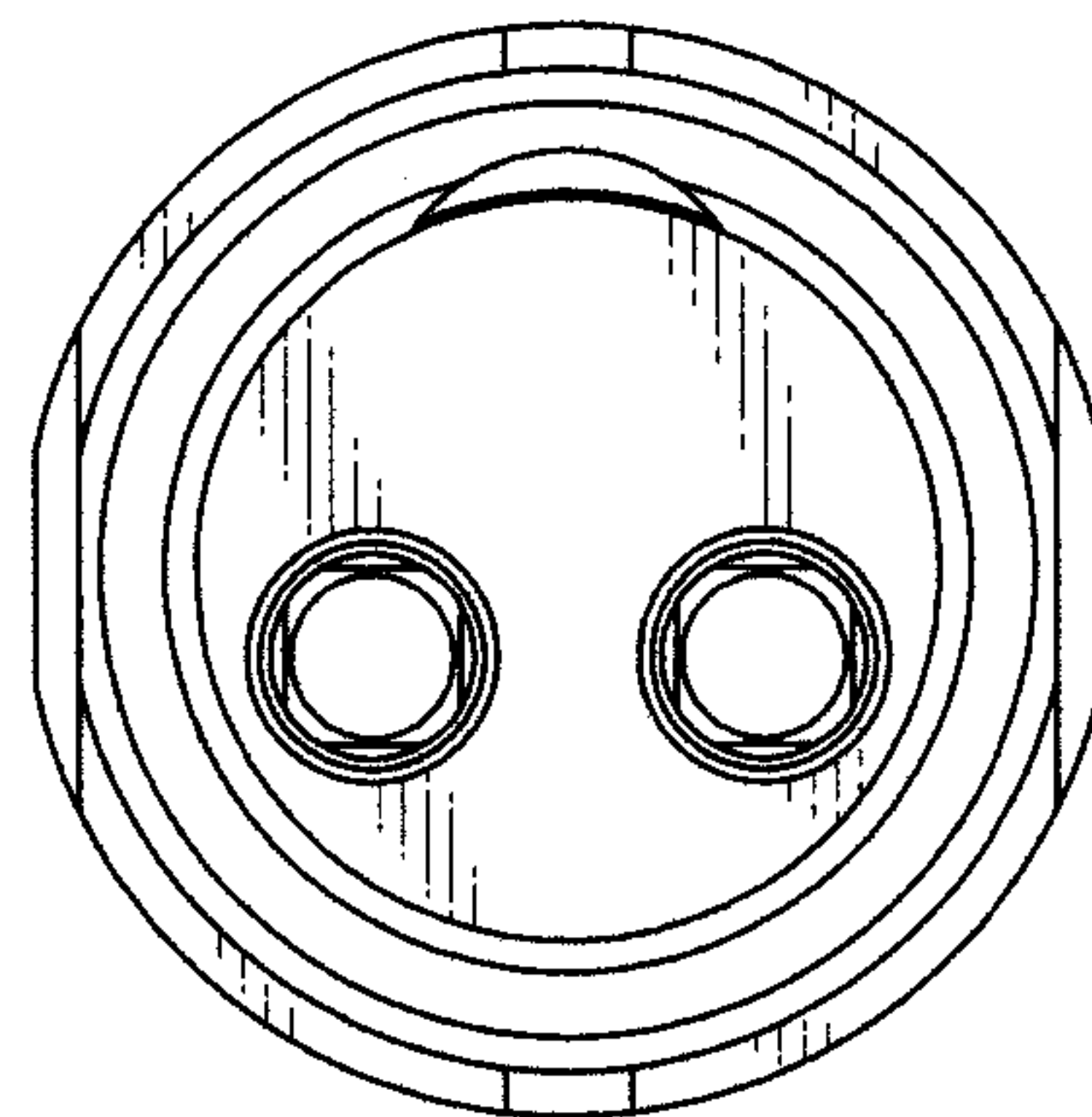


FIG.5



FIG.6

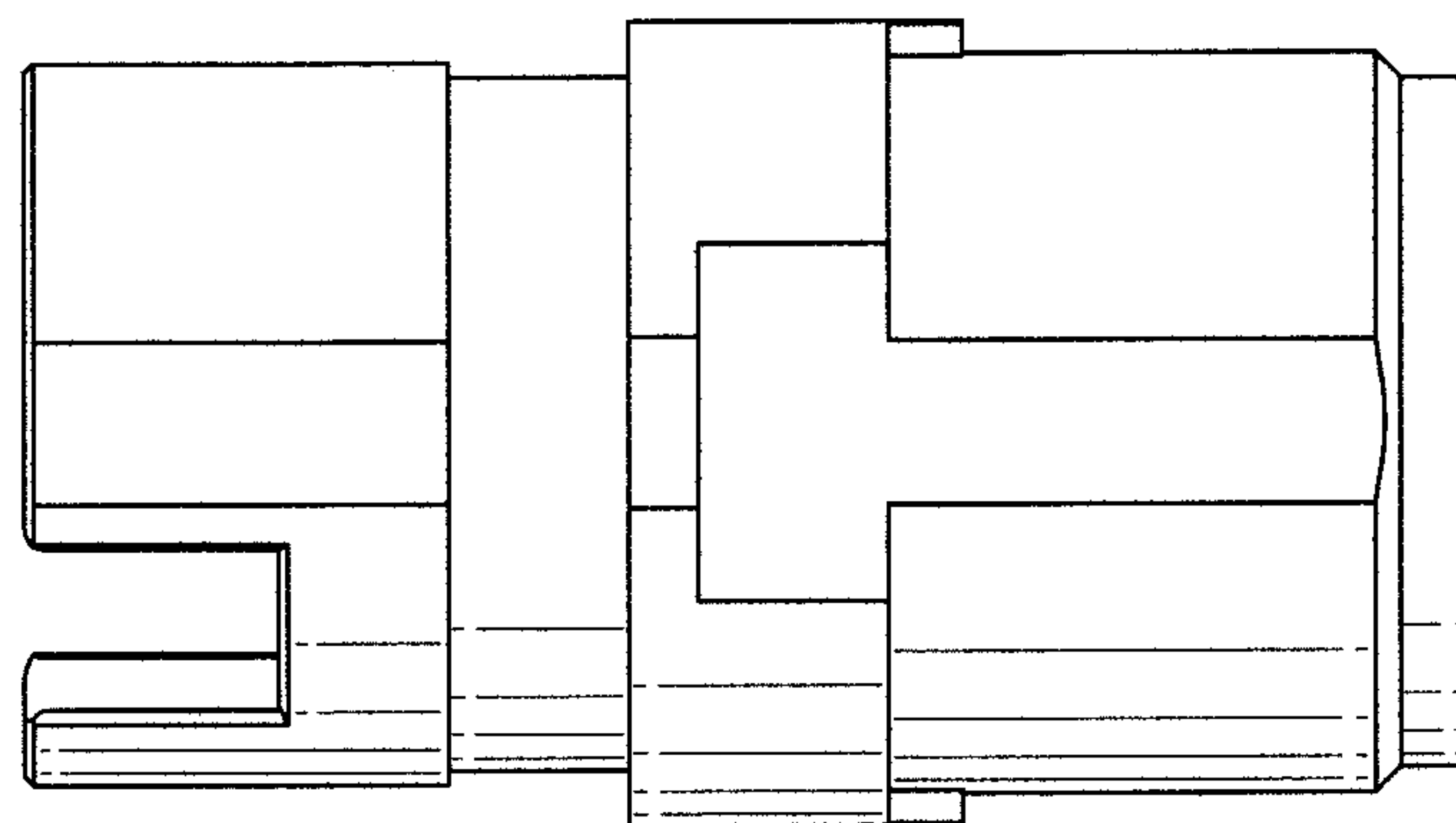


FIG.7

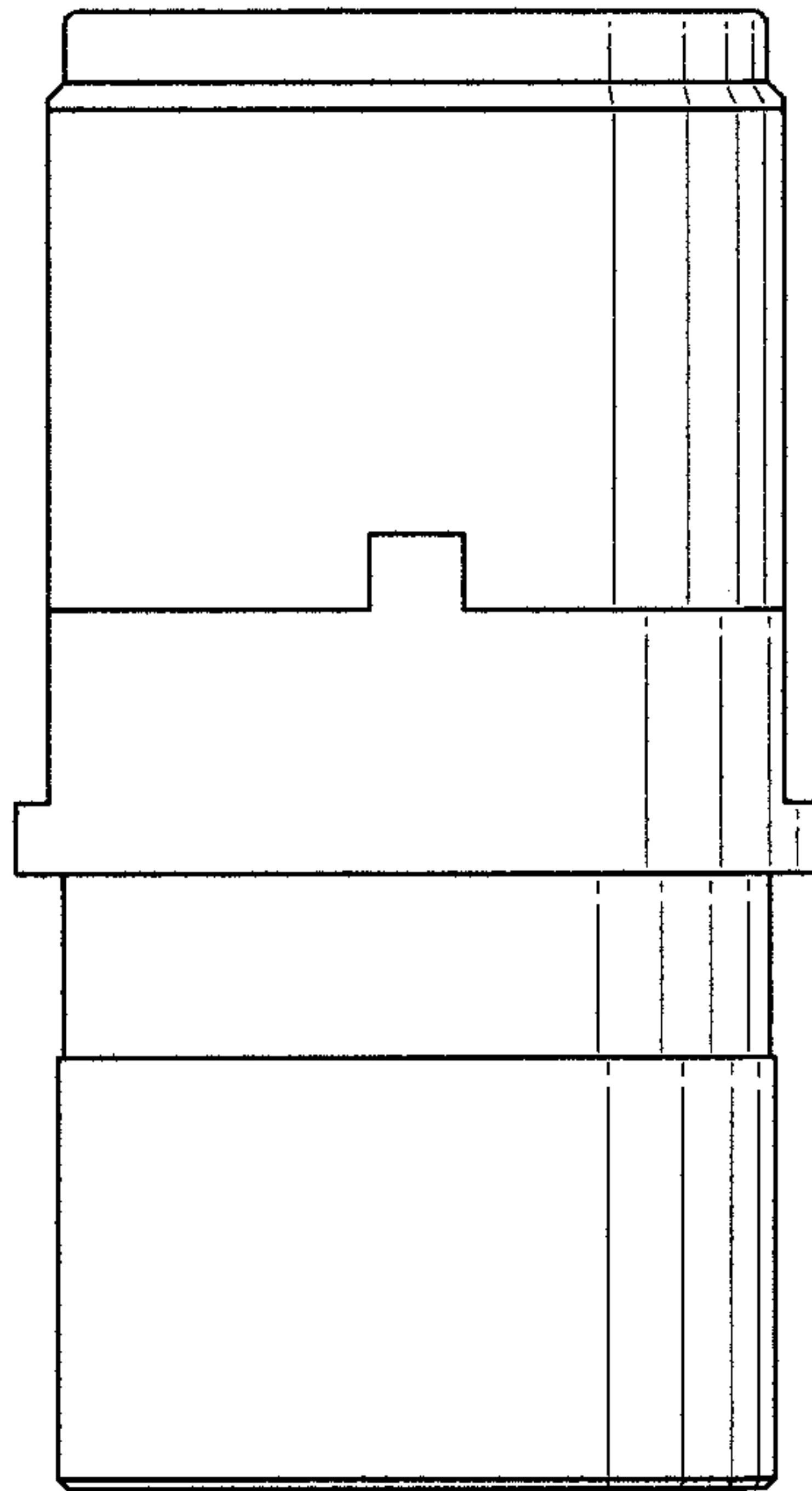


FIG.8

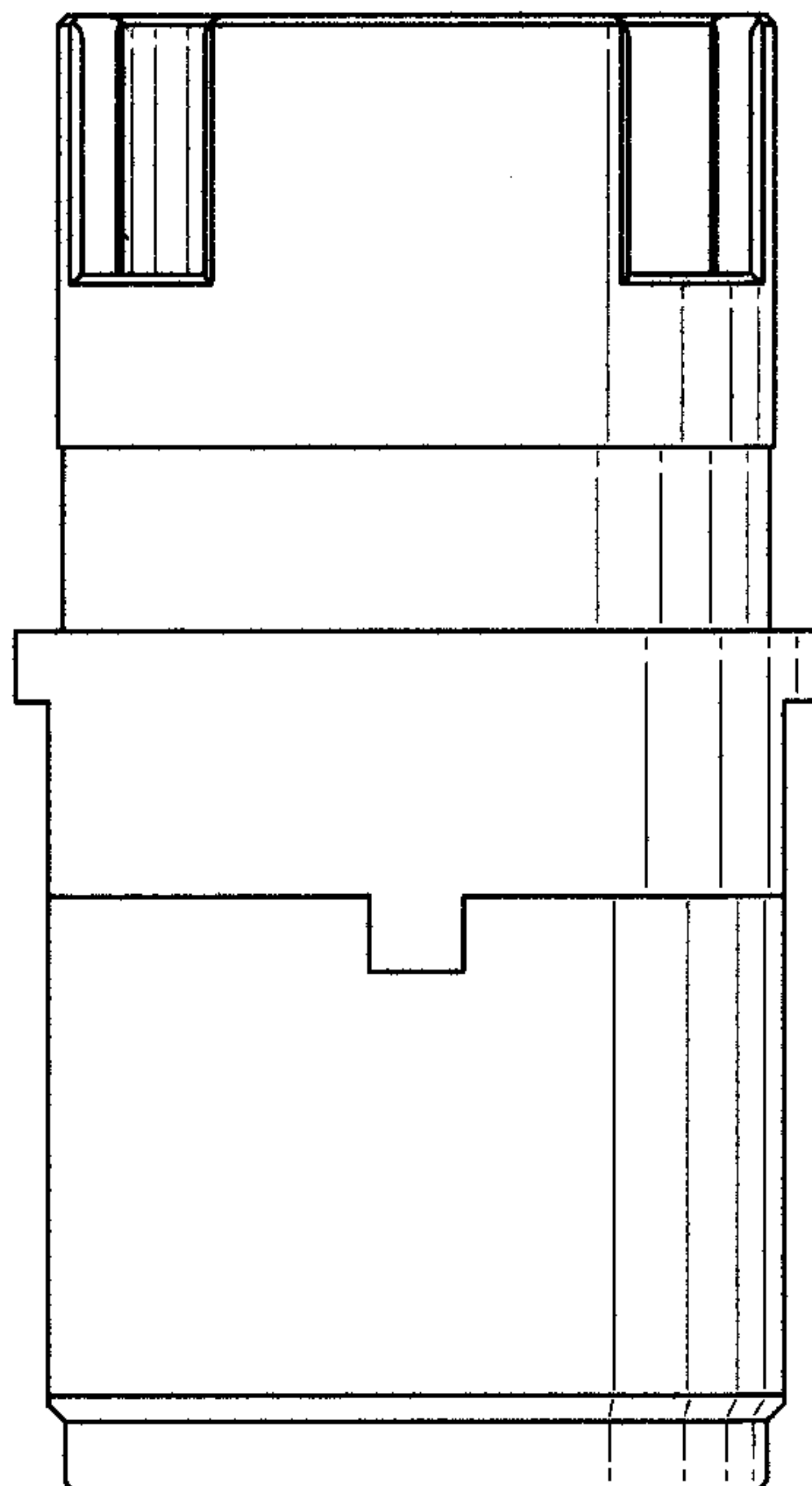


FIG.9

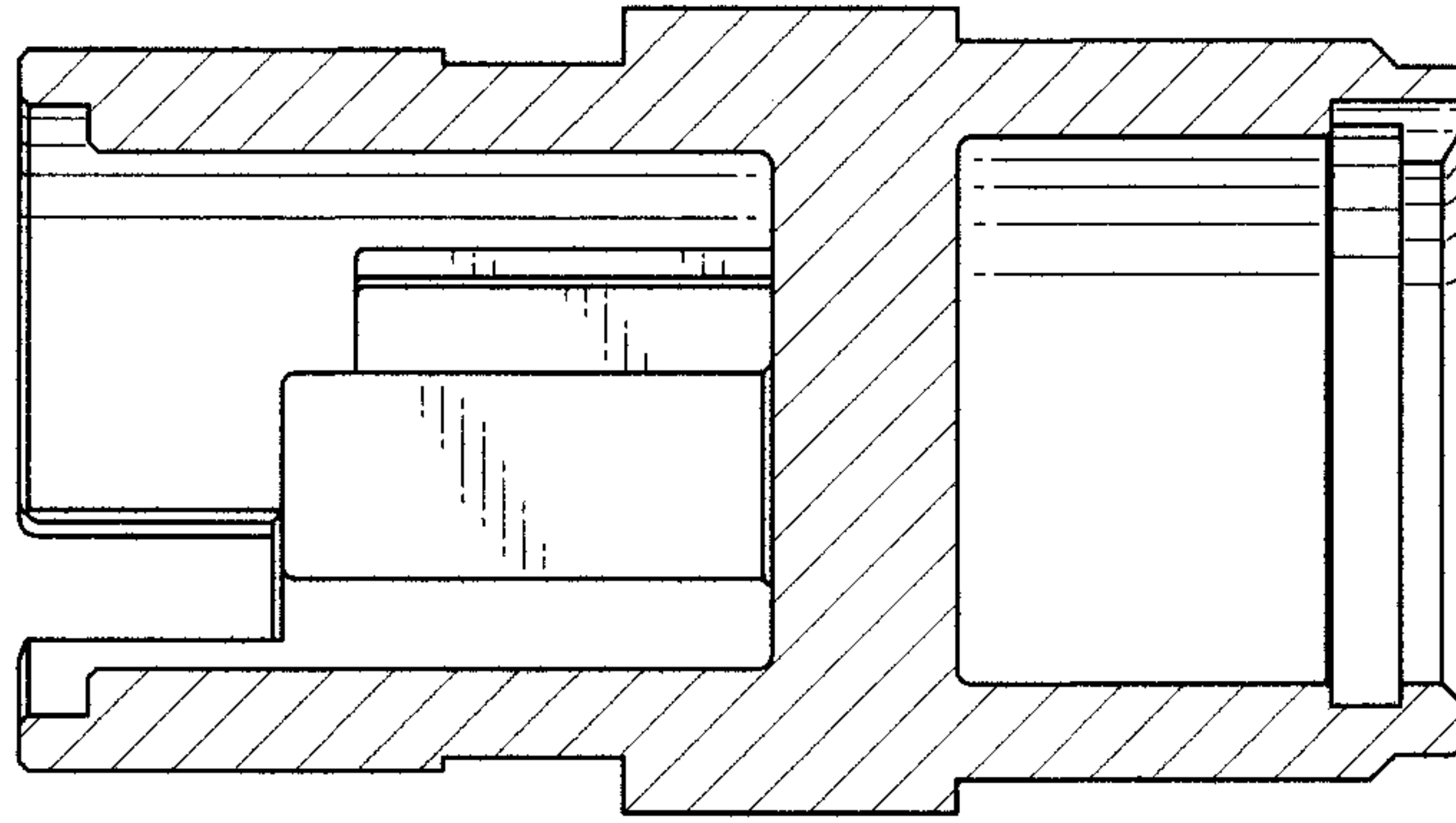


FIG.10

