



US00D733653S

(12) **United States Design Patent**
Seväkivi et al.

(10) **Patent No.:** **US D733,653 S**
(45) **Date of Patent:** **** Jul. 7, 2015**

(54) **EQUIPMENT FOR DISTRIBUTION OF ELECTRIC POWER**

A61G 7/1044; A61G 7/1076
See application file for complete search history.

(71) Applicants: **Pertti Seväkivi**, Lepsämä (FI); **Niko Björkman**, Helsinki (FI)

(56) **References Cited**

(72) Inventors: **Pertti Seväkivi**, Lepsämä (FI); **Niko Björkman**, Helsinki (FI)

U.S. PATENT DOCUMENTS

(73) Assignee: **ABB Technology Oy**, Helsinki (FI)

7,724,503	B2 *	5/2010	Talja	361/609
D684,955	S *	6/2013	Deck et al.	D14/240
D685,354	S *	7/2013	Deck et al.	D14/240
D686,158	S *	7/2013	Helosvuori et al.	D13/123
D691,557	S *	10/2013	Helosvuori et al.	D13/123
D691,558	S *	10/2013	Helosvuori et al.	D13/123
D708,135	S *	7/2014	Hakala et al.	D13/110
D713,337	S *	9/2014	Hakala et al.	D13/110
2012/0257338	A1 *	10/2012	Silvennoinen et al.	..	361/679.01

(**) Term: **14 Years**

* cited by examiner

(21) Appl. No.: **29/465,327**

(22) Filed: **Aug. 27, 2013**

(51) **LOC (10) Cl.** **13-03**

Primary Examiner — Thomas Johannes

(52) **U.S. Cl.**

Assistant Examiner — Shawn T Gingrich

USPC **D13/123**

(74) *Attorney, Agent, or Firm* — Dykema Gossett PLLC

(58) **Field of Classification Search**

(57) **CLAIM**

USPC D13/110, 112, 122–128, 133, 147, D13/158–160, 162, 184, 199; D14/300, D14/308, 311–314, 348, 349, 356; 60/476; 137/343; 200/43.14, 50.01, 200/50.21–50.23; 361/44, 115, 608, 634, 361/679.01

The ornamental design for an equipment for distribution of electric power, as shown and described.

CPC H01H 11/00; H01H 19/02; H01H 19/10; H01H 19/28; H01H 19/36; H01H 19/64; H01H 1/06; H01H 1/2041; H01H 1/42; H01H 2071/0292; H01H 2071/042; H01H 33/08; H01H 33/12; H01H 33/42; H01H 3/30; H01H 3/3015; H01H 71/025; H01H 71/04; H01H 71/1054; H01H 9/167; H01H 9/281; H01H 9/282; H05K 7/1432; H01G 9/008; H01G 4/32; H01G 9/10; H01G 4/28; A61N 1/3975; F15B 15/1428; F15B 11/0365; F15B 15/084; F15B 15/1414; F15B 15/1433; F15B 2211/7056; Y02E 60/13; H01T 13/08; H01T 13/06; H01T 13/20; A61G 7/1019;

DESCRIPTION

FIG. 1 is a front perspective view of equipment for distribution of electric power showing our new and ornamental design,

FIG. 2 is a front view thereof;

FIG. 3 is a right side view thereof;

FIG. 4 is a rear view thereof;

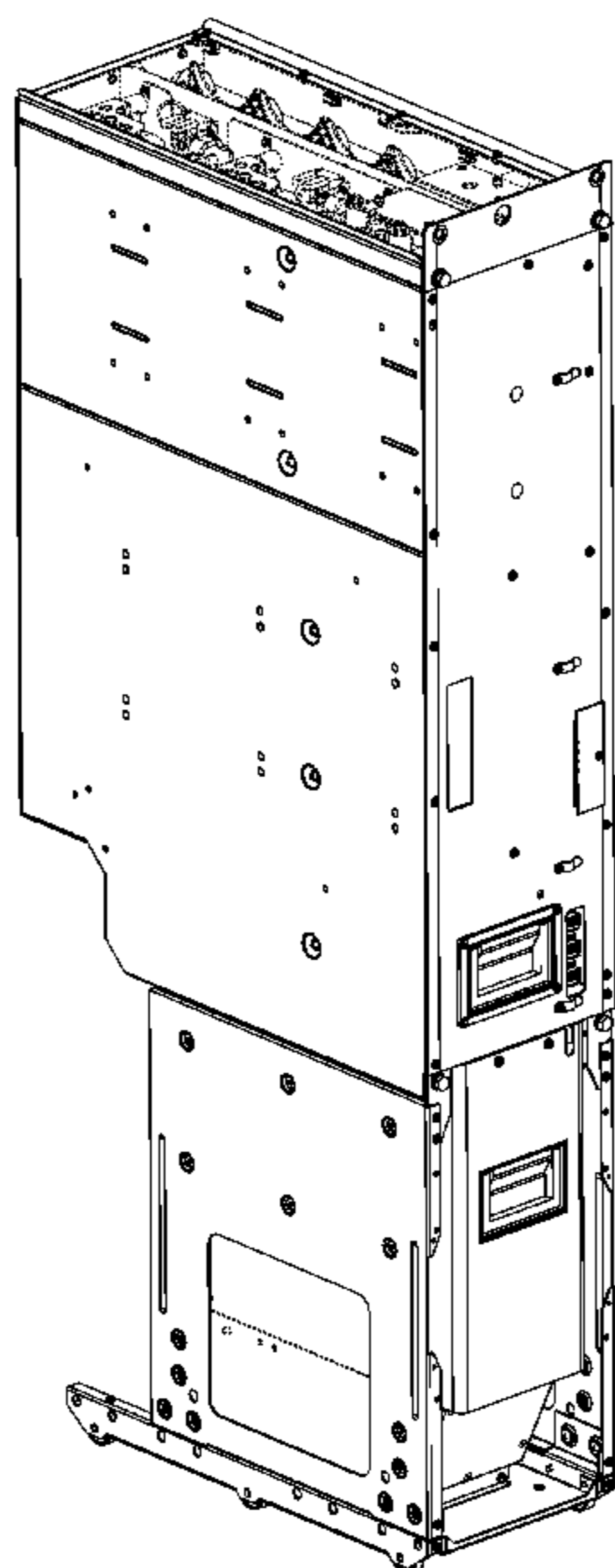
FIG. 5 is a left side view thereof;

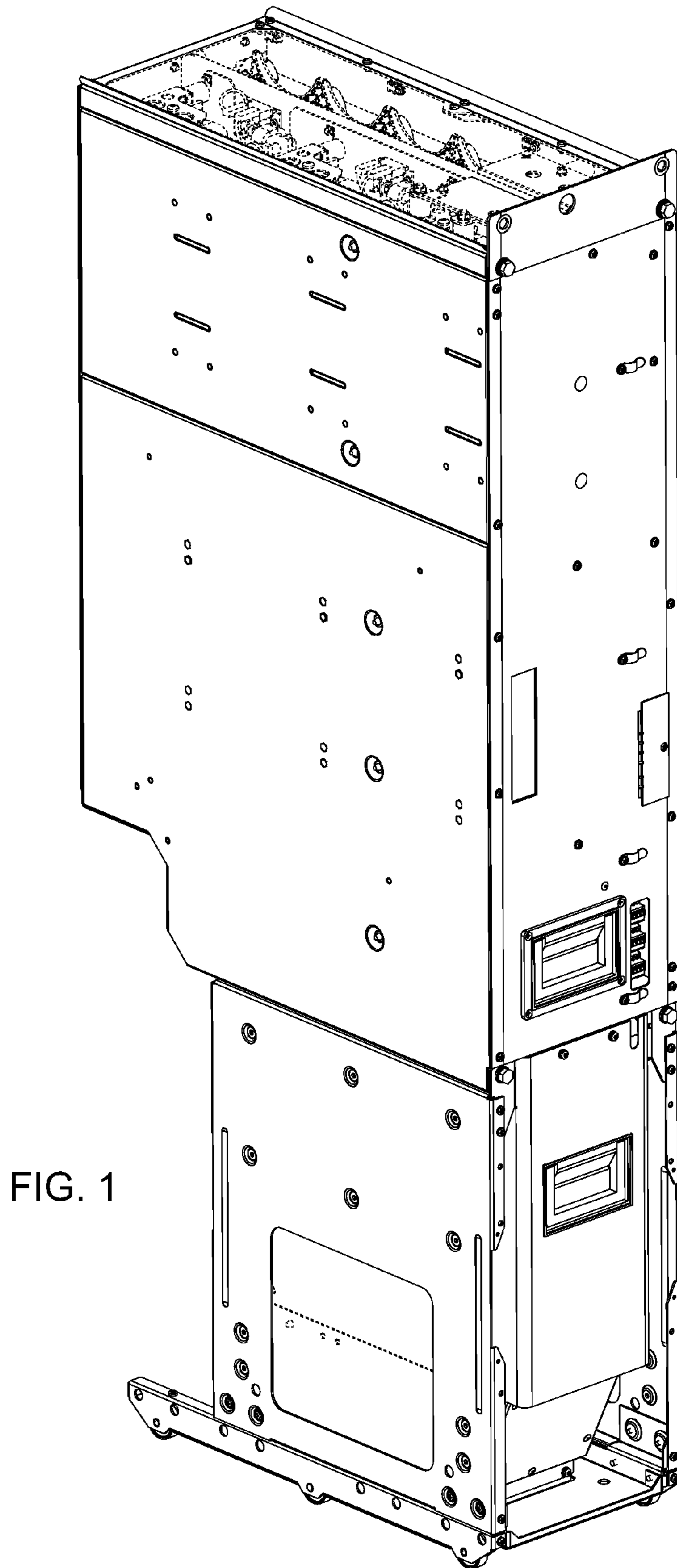
FIG. 6 is a top plan view thereof; and,

FIG. 7 is a rear perspective view thereof.

The broken line portions of the figures are included to show unclaimed subject matter only and forms no part of the claimed design.

1 Claim, 7 Drawing Sheets





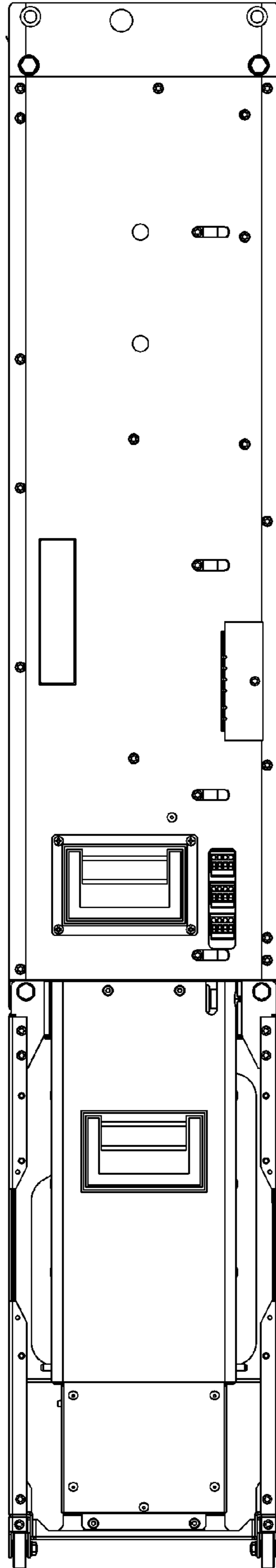


FIG. 2

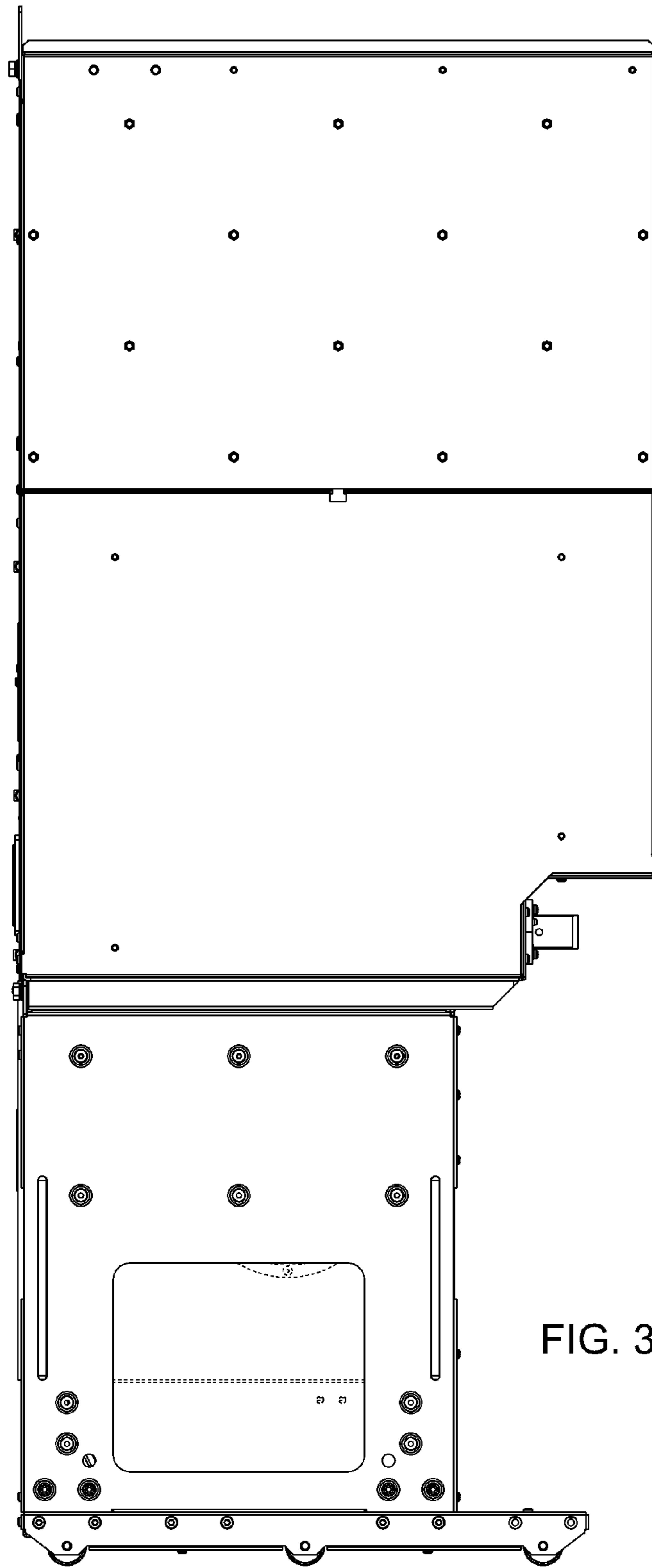


FIG. 3

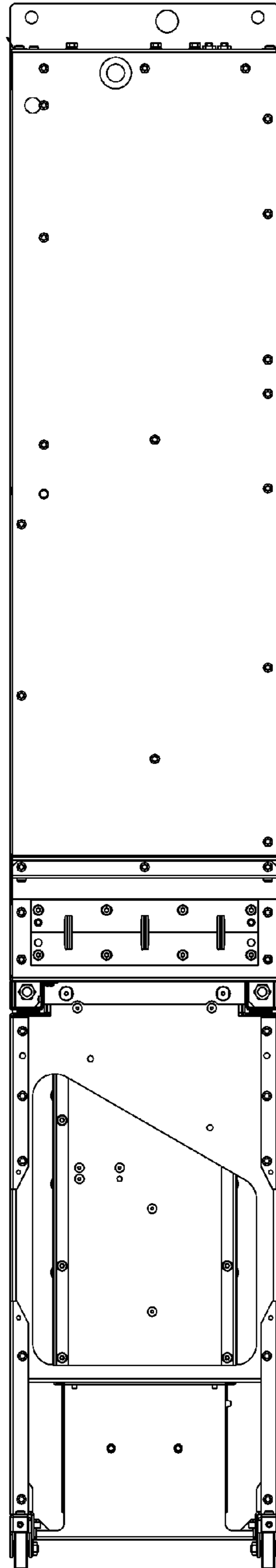
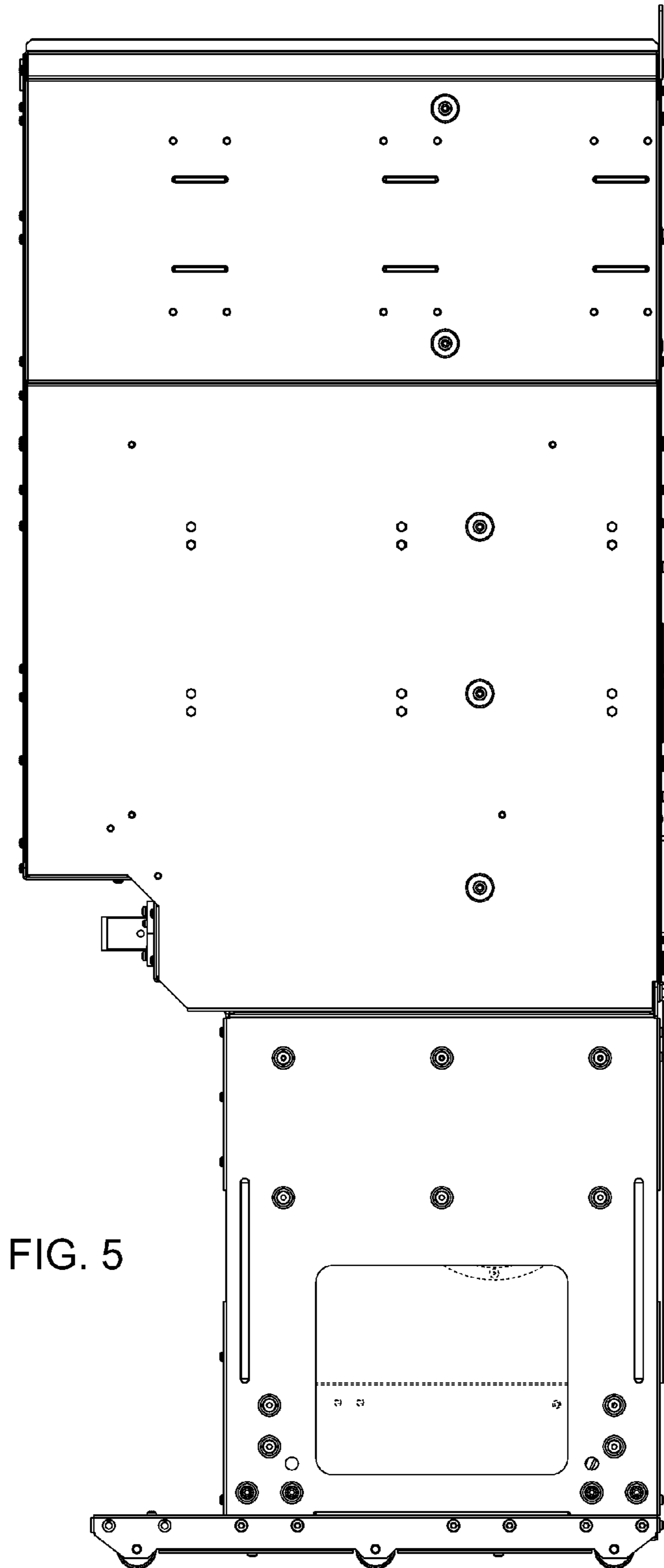


FIG. 4



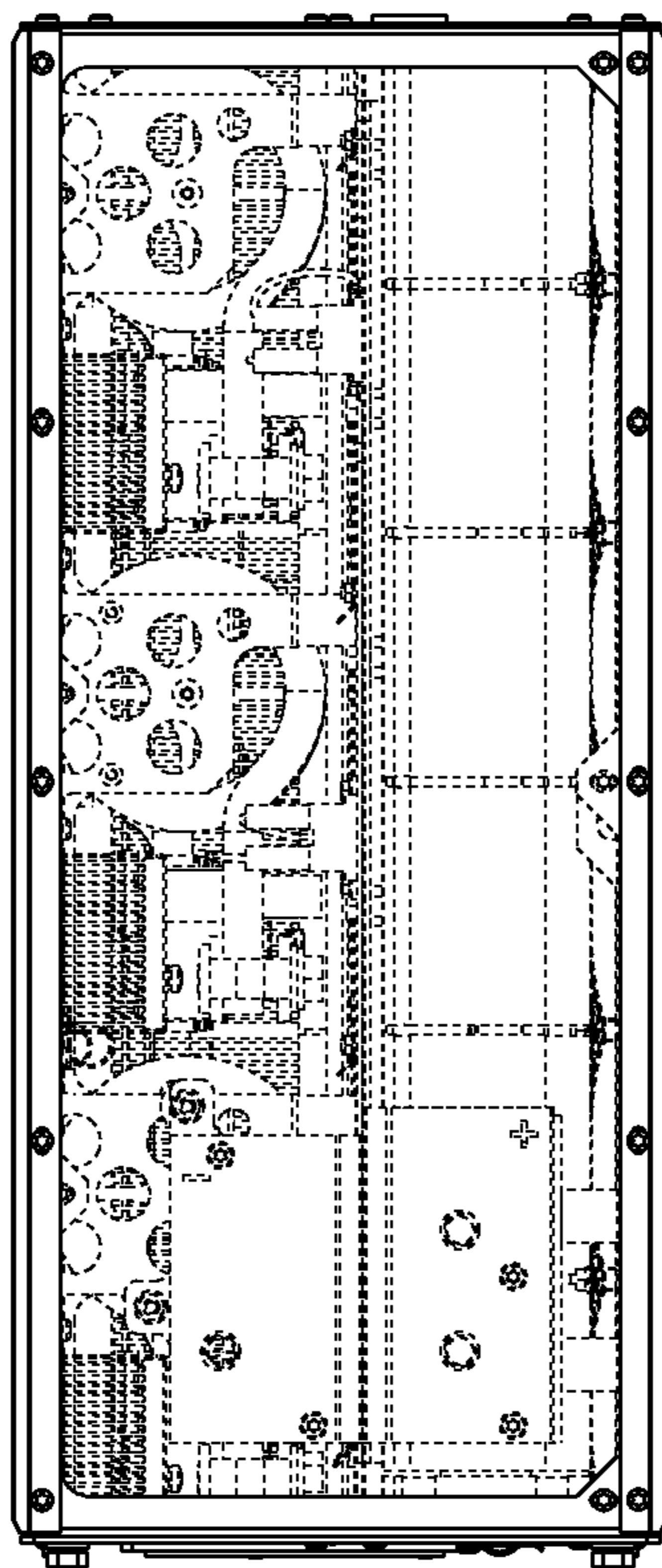


FIG. 6

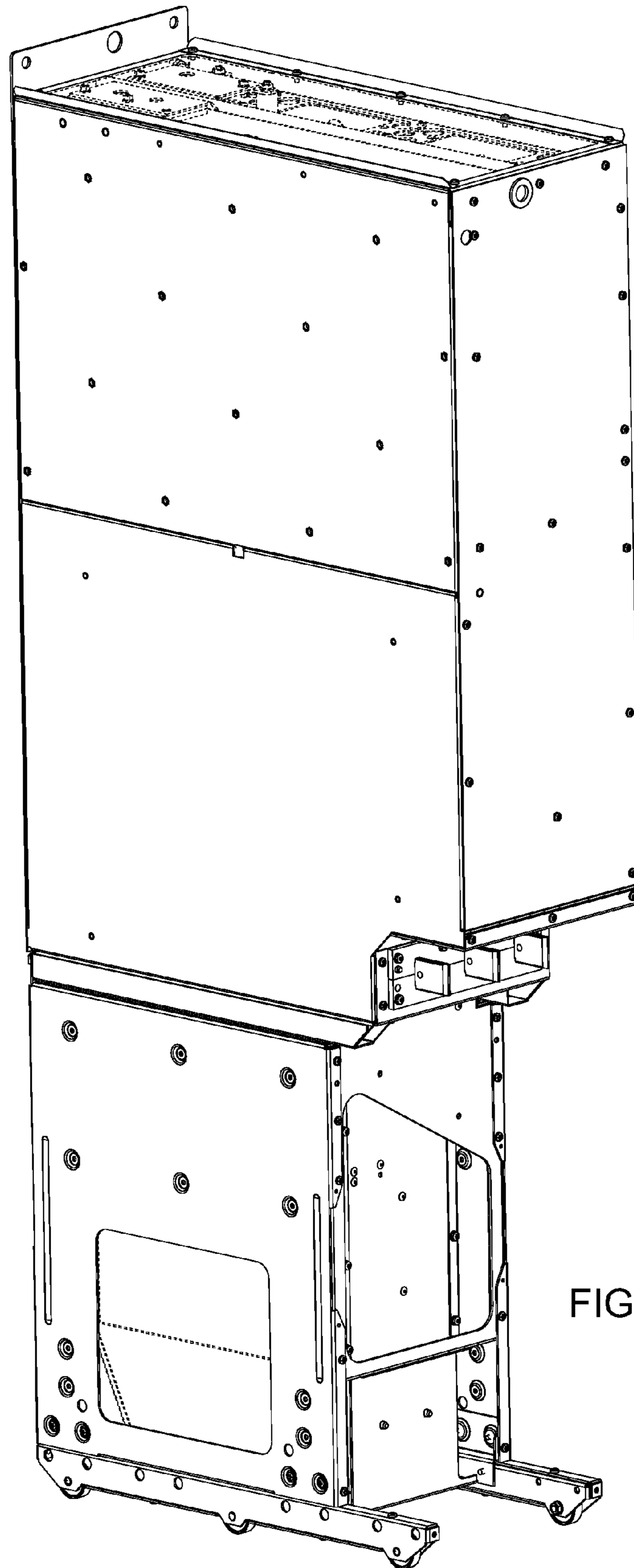


FIG. 7