



US00D733651S

(12) **United States Design Patent**  
**Liu**

(10) **Patent No.:** **US D733,651 S**  
(45) **Date of Patent:** **\*\* Jul. 7, 2015**

(54) **CHARGER FOR AN ELECTRONIC CIGARETTE**

(71) Applicant: **Qiuming Liu**, Huizhou (CN)

(72) Inventor: **Qiuming Liu**, Huizhou (CN)

(73) Assignee: **Kimree Hi-Tech Inc.**, Tortola (VG)

(\*\*) Term: **14 Years**

(21) Appl. No.: **29/490,041**

(22) Filed: **May 6, 2014**

(30) **Foreign Application Priority Data**

Mar. 27, 2014 (CN) ..... 2014 3 0067149

(51) **LOC (10) Cl.** ..... **13-02**

(52) **U.S. Cl.**  
USPC ..... **D13/108**; D27/194; D14/480.1

(58) **Field of Classification Search**  
USPC ..... D13/107-110, 118-119, 184, 199;  
D14/251, 253, 432, 434, 434.1,  
D14/480.1-480.7, 484.1; 320/107-115;  
D27/137, 186, 193, 194; 131/328-329;  
361/679.31, 679.33, 679.4, 752;  
711/100, 115

CPC ..... Y02E 60/12; Y02T 90/14; Y02T 90/122;  
Y02T 90/128; Y02T 90/163; H02J 7/025;  
H02J 7/0042; H02J 7/0044; H02J 7/0045;  
H02J 7/0003; H01F 38/14; H01R 13/6675;  
H01M 2/1022; H01M 2/1055; H01M 10/44;  
H01M 10/46; H01M 10/425; B60L 11/182;  
A24F 47/008; G06K 19/07732; H05K 5/0278  
See application file for complete search history.

(56) **References Cited**

**U.S. PATENT DOCUMENTS**

6,804,749 B2 \* 10/2004 Chien et al. .... 711/115  
D542,787 S \* 5/2007 Siu ..... D14/480.5  
D576,619 S \* 9/2008 Udagawa et al. .... D14/435.1  
D577,019 S \* 9/2008 Udagawa et al. .... D14/435.1  
D579,934 S \* 11/2008 Okamoto et al. .... D14/435.1

D595,223 S \* 6/2009 Yamamoto et al. .... D13/108  
D601,093 S \* 9/2009 Wu et al. .... D13/147  
7,985,091 B1 \* 7/2011 Fu et al. .... 439/345  
D669,899 S \* 10/2012 Cheng ..... D14/435.1  
D673,908 S \* 1/2013 Koch ..... D13/108  
D675,630 S \* 2/2013 Ni et al. .... D14/480.1  
D678,187 S \* 3/2013 Huang ..... D13/103  
D682,841 S \* 5/2013 Suetake et al. .... D14/480.1  
D685,382 S \* 7/2013 Anderson et al. .... D14/480.5  
D700,372 S \* 2/2014 Altman ..... D26/2  
D706,787 S \* 6/2014 Emami et al. .... D14/480.7  
D711,891 S \* 8/2014 Emami et al. .... D14/480.5  
2005/0029137 A1 \* 2/2005 Wang ..... 206/320  
2006/0248244 A1 \* 11/2006 Hua ..... 710/62  
2007/0229025 A1 \* 10/2007 Tsai et al. .... 320/111  
2008/0144270 A1 \* 6/2008 Dal Porto et al. .... 361/684  
2008/0237237 A1 \* 10/2008 Watson ..... 220/375  
2009/0042433 A1 \* 2/2009 Bushby ..... 439/352  
2009/0275224 A1 \* 11/2009 Ni et al. .... 439/131  
2010/0100658 A1 \* 4/2010 Pignotti ..... 710/303  
2014/0210399 A1 \* 7/2014 Urschel et al. .... 320/107

\* cited by examiner

*Primary Examiner* — Rosemary K Tarcza

(74) *Attorney, Agent, or Firm* — Ohlandt, Greeley, Ruggiero & Perle, LLP

(57) **CLAIM**

The ornamental design for a charger for an electronic cigarette, as shown and described.

**DESCRIPTION**

FIG. 1 is a front view of a charger for an electronic cigarette according to a first embodiment of the present disclosure; FIG. 2 is a rear view of the charger for the electronic cigarette according to the first embodiment of the present disclosure; FIG. 3 is a left view of the charger for the electronic cigarette according to the first embodiment of the present disclosure; FIG. 4 is a right view of the charger for the electronic cigarette according to the first embodiment of the present disclosure; FIG. 5 is a top view of the charger for the electronic cigarette according to the first embodiment of the present disclosure; FIG. 6 is a bottom view of the charger for the electronic cigarette according to the first embodiment of the present disclosure;

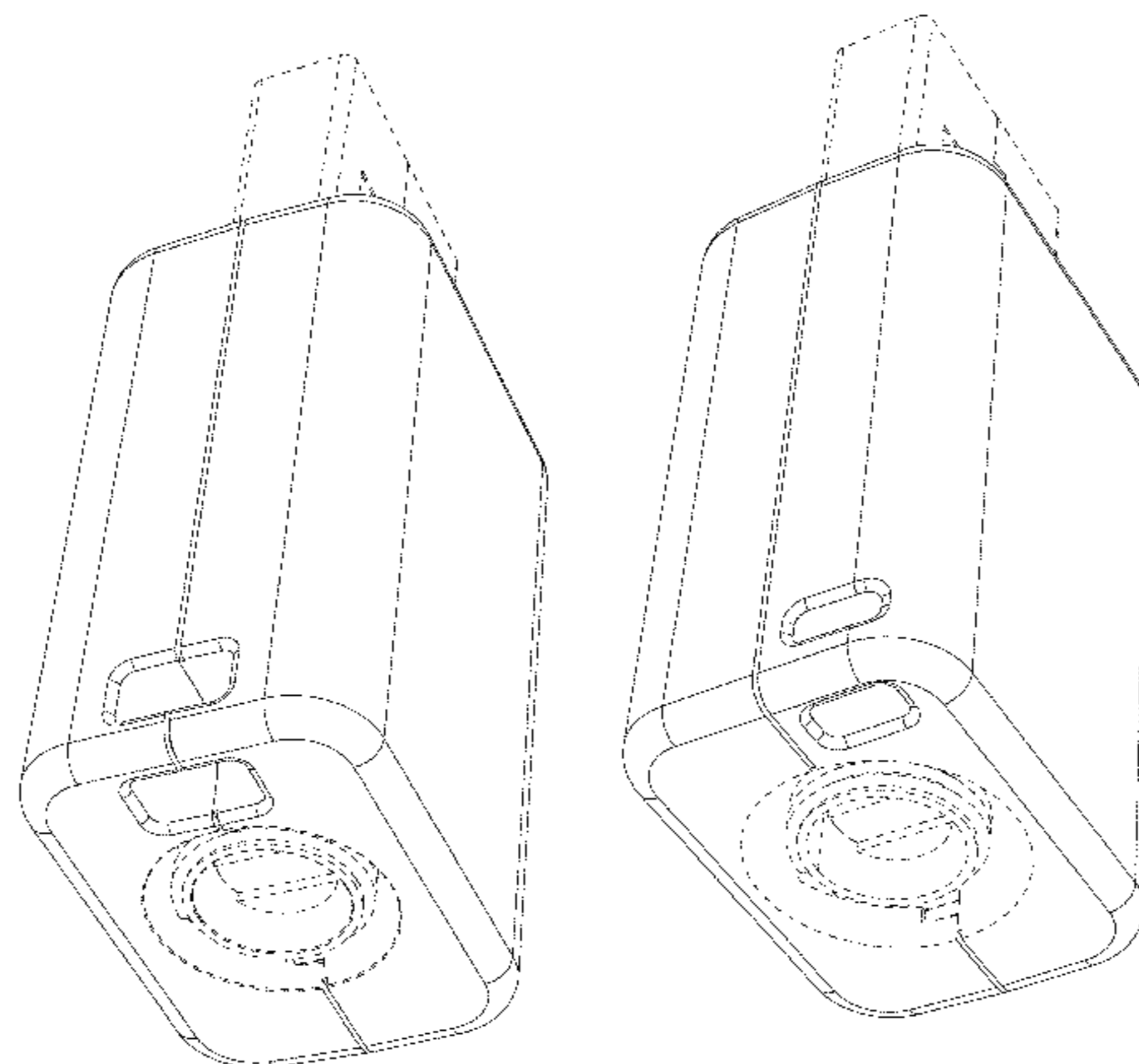


FIG. 7 is a perspective view of the charger for the electronic cigarette according to the first embodiment of the present disclosure;

FIG. 8 is a front view of a charger for an electronic cigarette according to a second embodiment of the present disclosure;

FIG. 9 is a rear view of the charger for the electronic cigarette according to the second embodiment of the present disclosure;

FIG. 10 is a left view of the charger for the electronic cigarette according to the second embodiment of the present disclosure;

FIG. 11 is a right view of the charger for the electronic cigarette according to the second embodiment of the present disclosure;

FIG. 12 is a top view of the charger for the electronic cigarette according to the second embodiment of the present disclosure;

FIG. 13 is a bottom view of the charger for the electronic cigarette according to the second embodiment of the present disclosure;

FIG. 14 is a perspective view of the charger for the electronic cigarette according to the second embodiment of the present disclosure;

FIG. 15 is a front view of a charger for an electronic cigarette according to a third embodiment of the present disclosure;

FIG. 16 is a rear view of the charger for the electronic cigarette according to the third embodiment of the present disclosure;

FIG. 17 is a left view of the charger for the electronic cigarette according to the third embodiment of the present disclosure;

FIG. 18 is a right view of the charger for the electronic cigarette according to the third embodiment of the present disclosure;

FIG. 19 is a top view of the charger for the electronic cigarette according to the third embodiment of the present disclosure;

FIG. 20 is a bottom view of the charger for the electronic cigarette according to the third embodiment of the present disclosure;

FIG. 21 is a perspective view of the charger for the electronic cigarette according to the third embodiment of the present disclosure;

FIG. 22 is a front view of a charger for an electronic cigarette according to a fourth embodiment of the present disclosure;

FIG. 23 is a rear view of the charger for the electronic cigarette according to the fourth embodiment of the present disclosure;

FIG. 24 is a left view of the charger for the electronic cigarette according to the fourth embodiment of the present disclosure;

FIG. 25 is a right view of the charger for the electronic cigarette according to the fourth embodiment of the present disclosure;

FIG. 26 is a top view of the charger for the electronic cigarette according to the fourth embodiment of the present disclosure;

FIG. 27 is a bottom view of the charger for the electronic cigarette according to the fourth embodiment of the present disclosure; and,

FIG. 28 is a perspective view of the charger for the electronic cigarette according to the fourth embodiment of the present disclosure.

The broken lines shown in the drawings are included for the purpose of illustrating environmental structure and form no part of the claimed design.

**1 Claim, 28 Drawing Sheets**

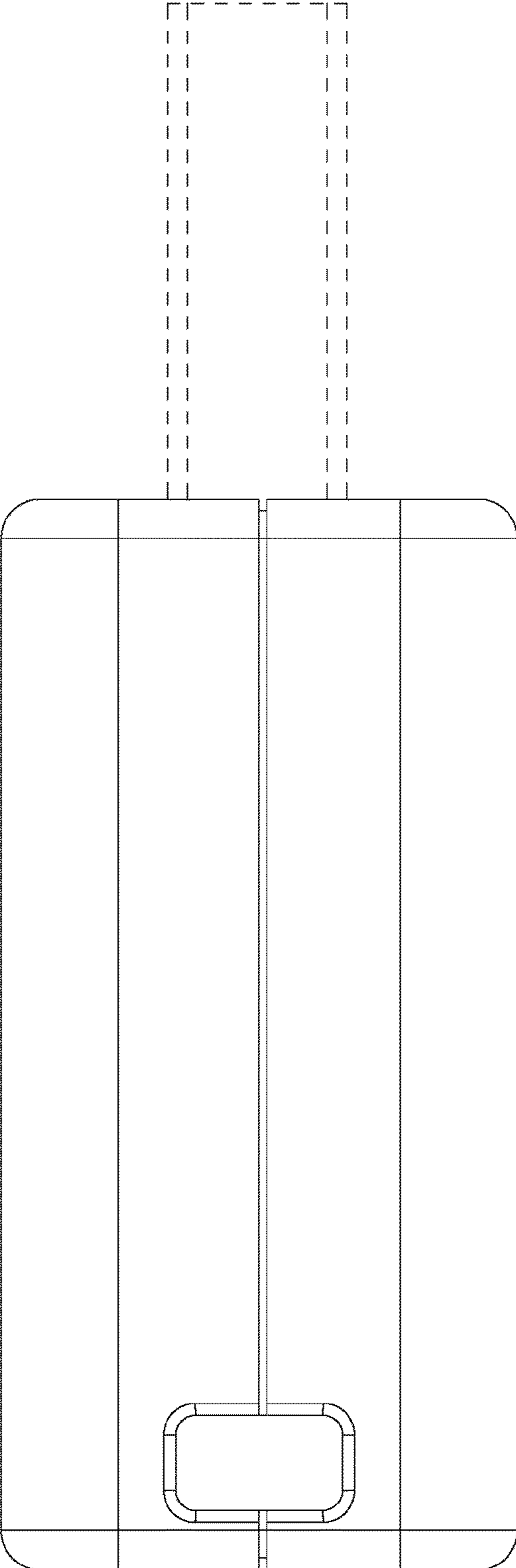


Figure 1

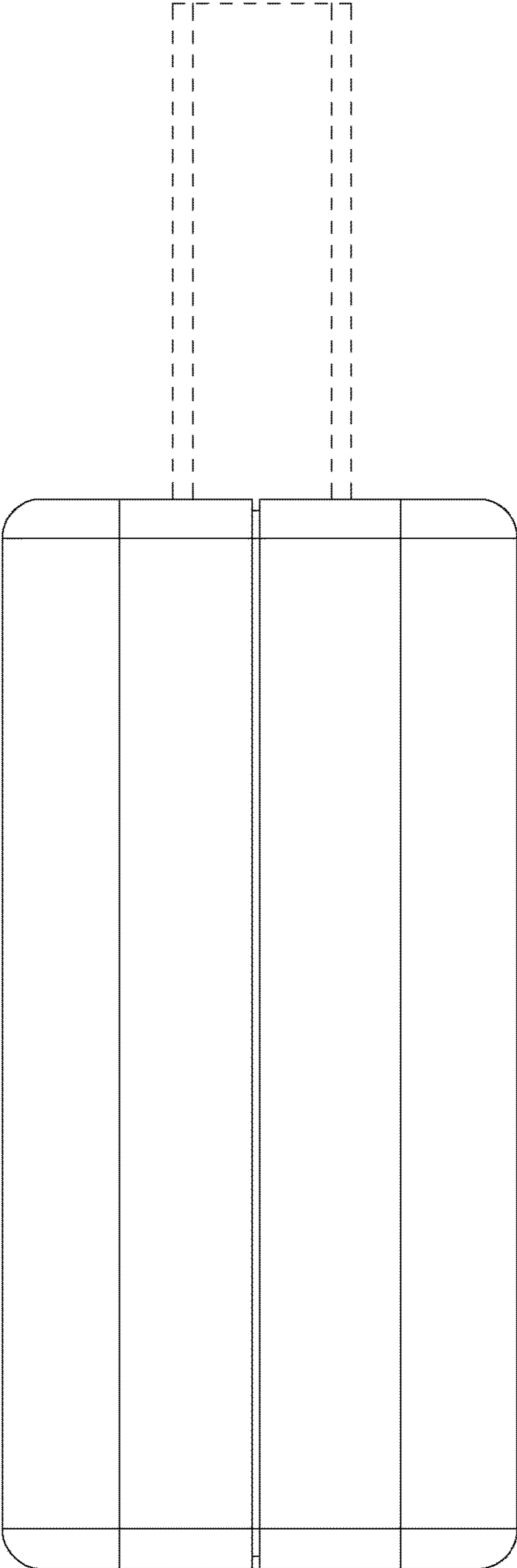


Figure 2



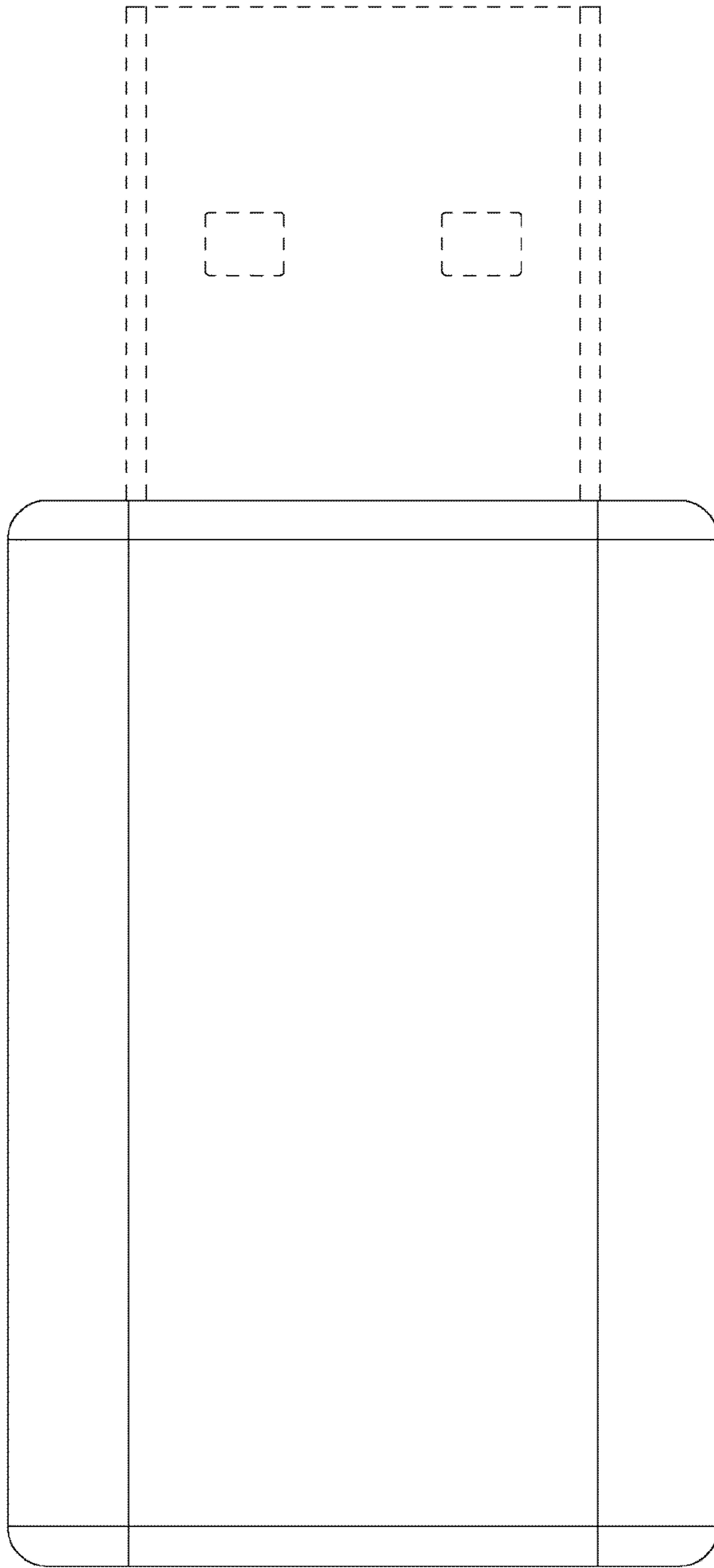


Figure 3

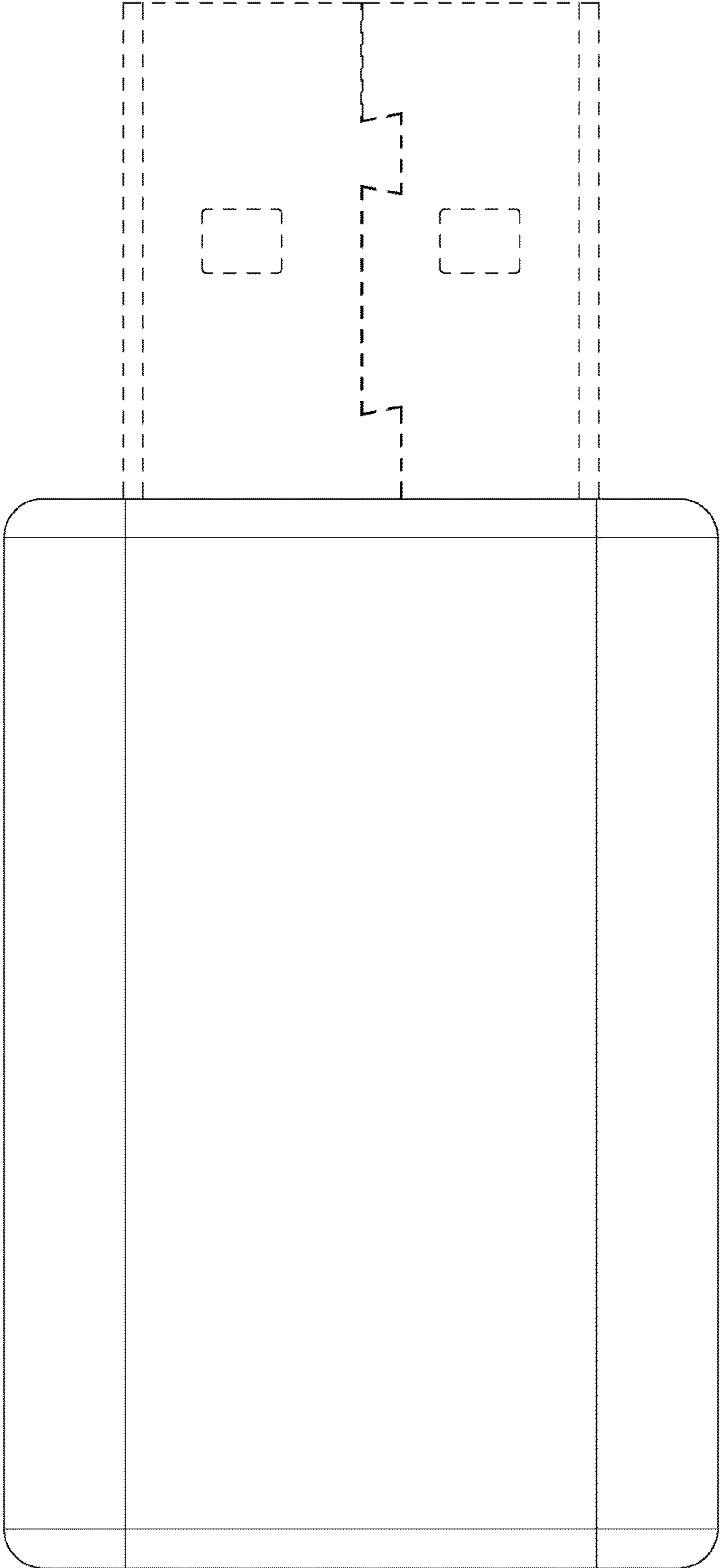


Figure 4

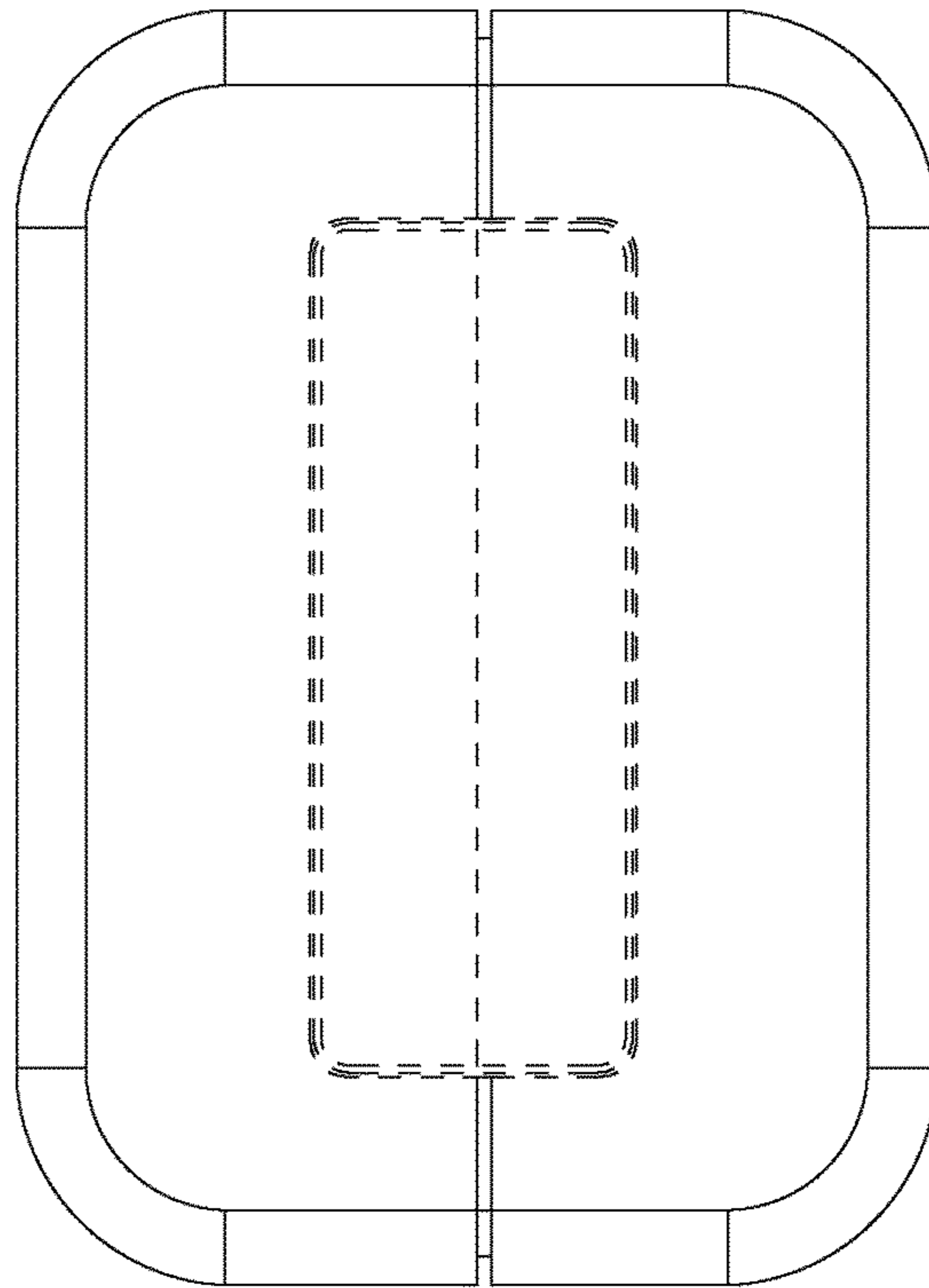


Figure 5

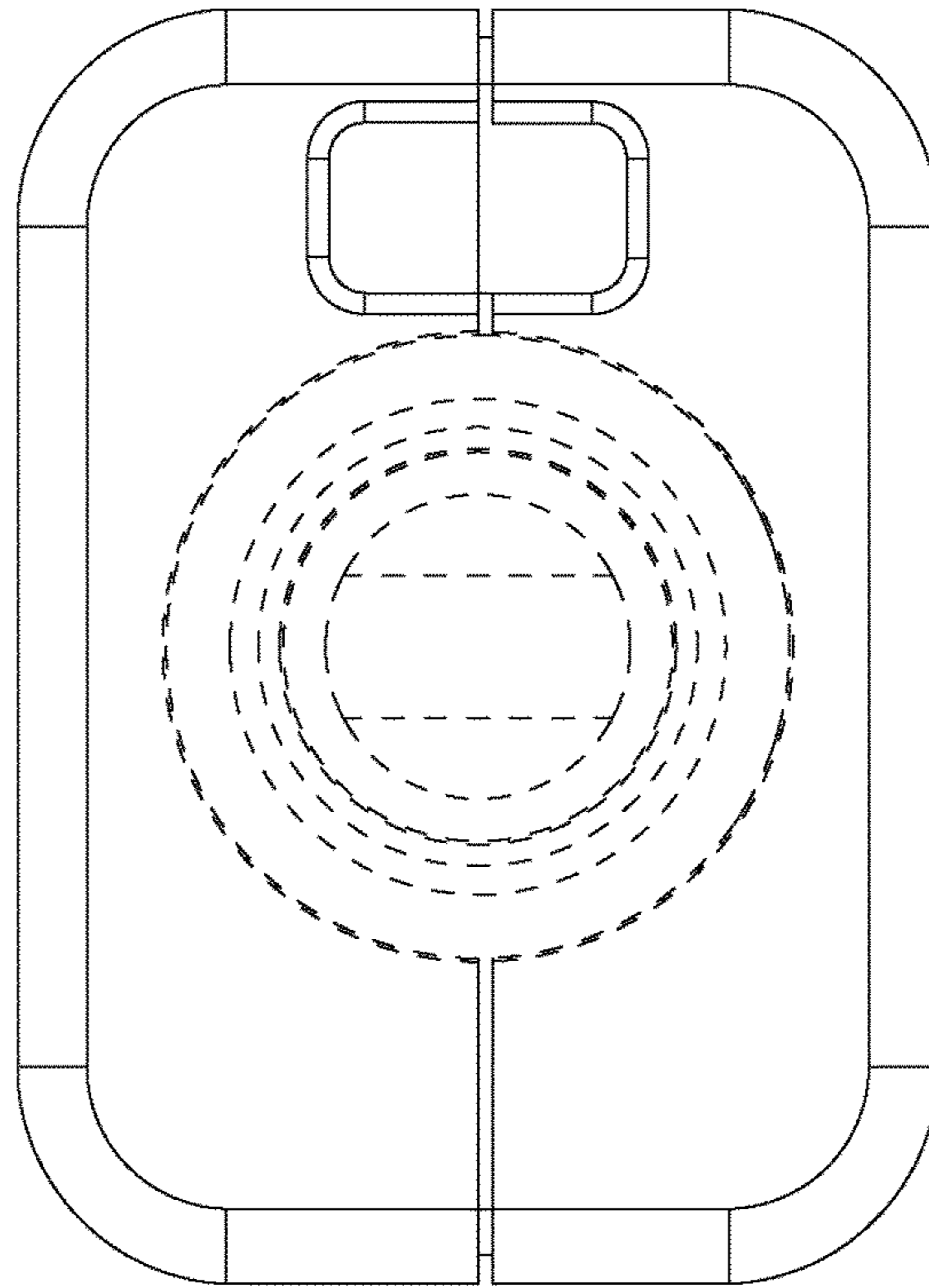


Figure 6



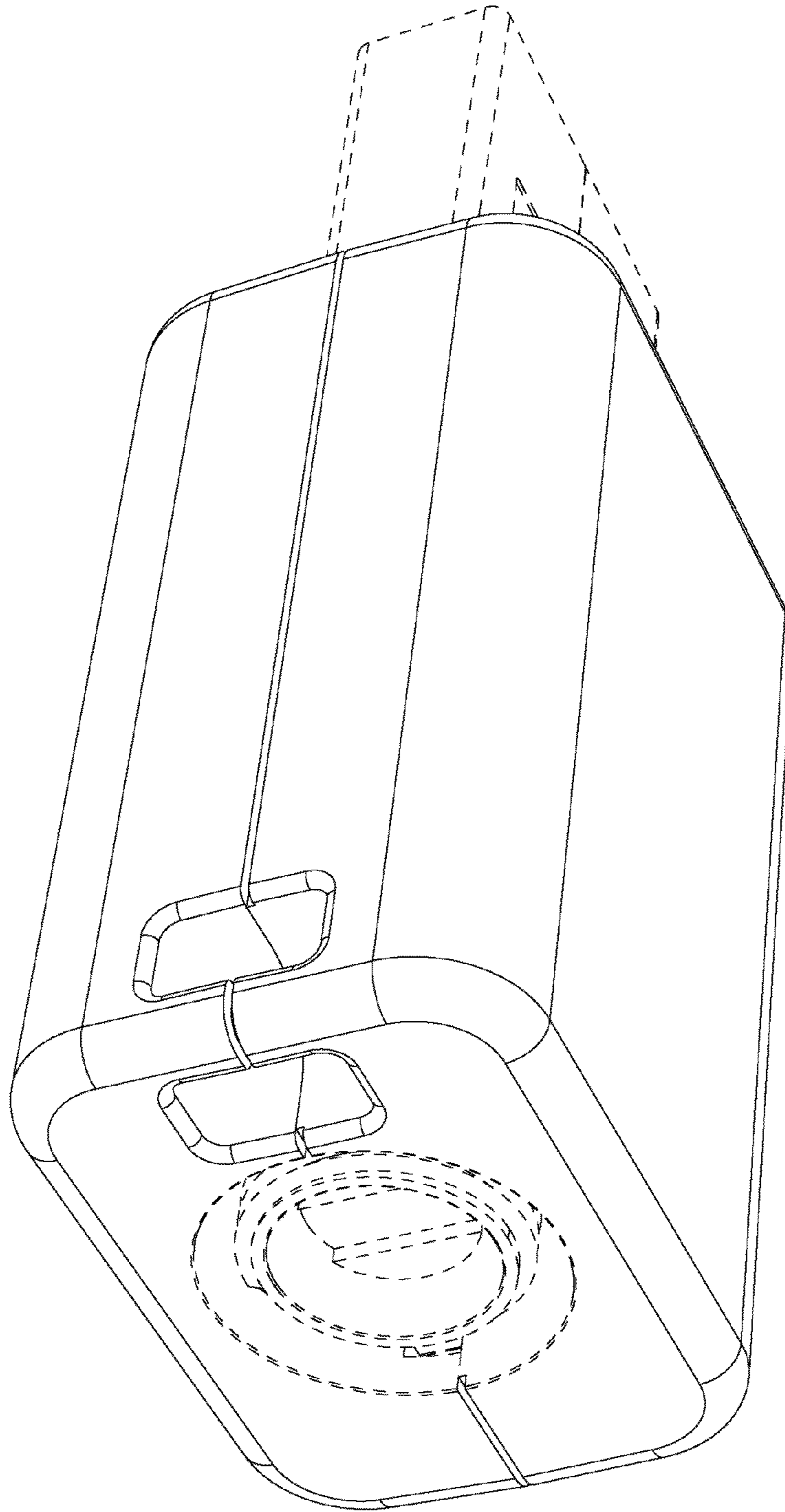


Figure 7

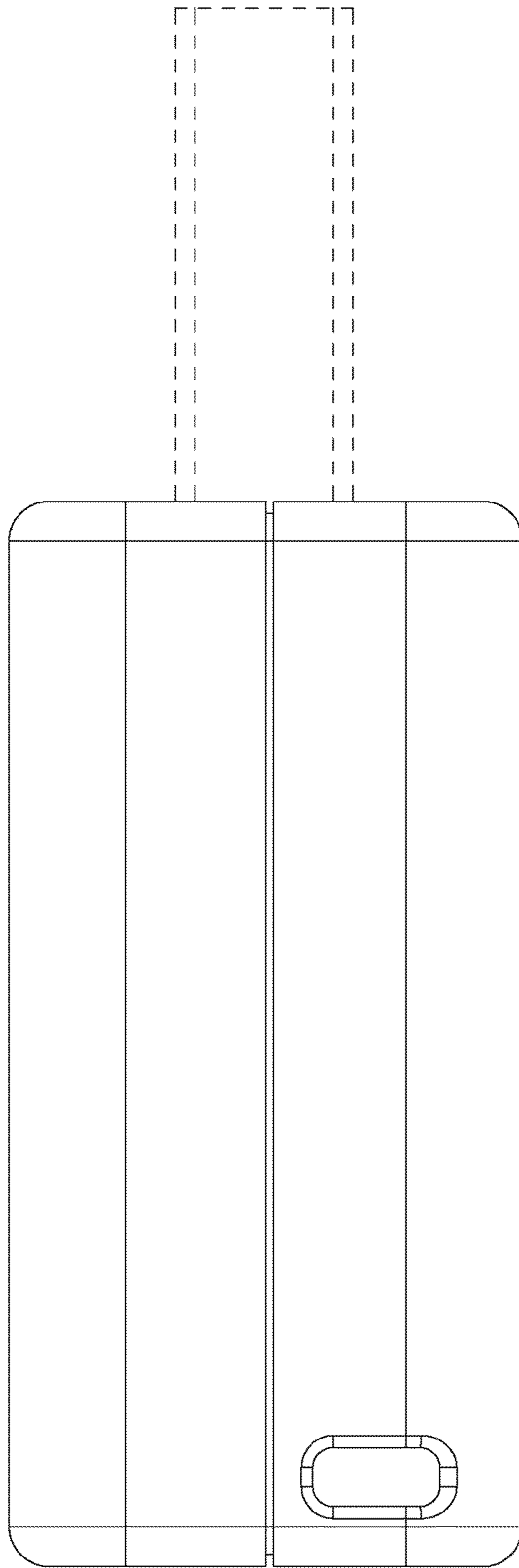


Figure 8

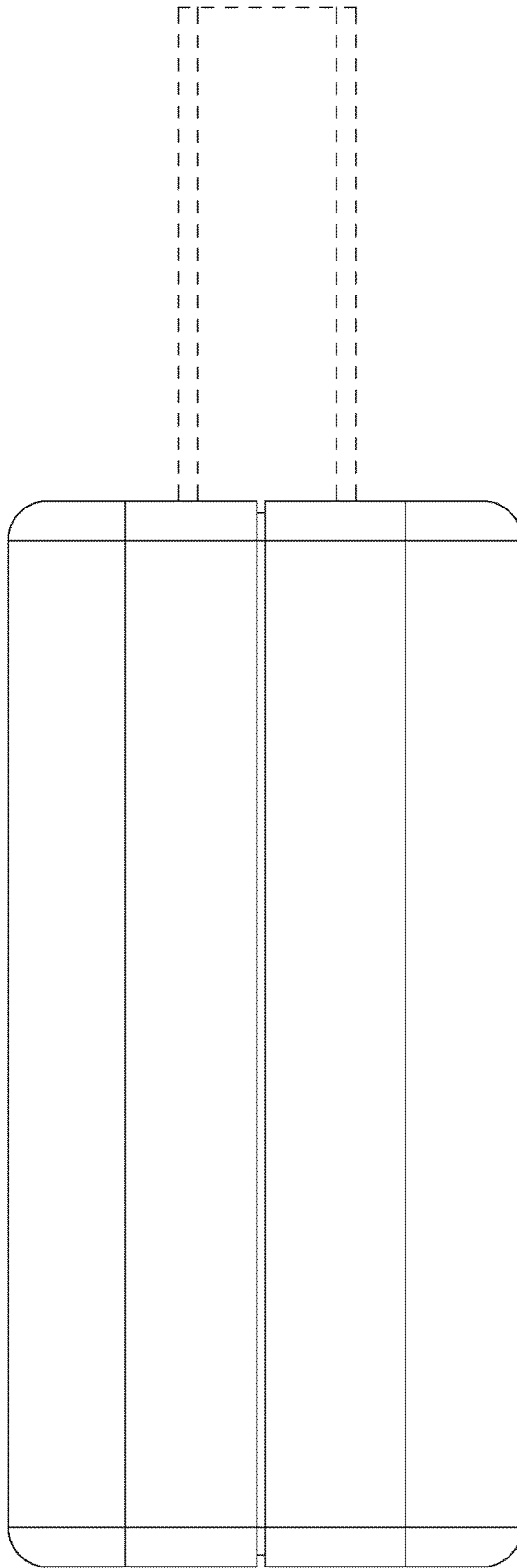


Figure 9

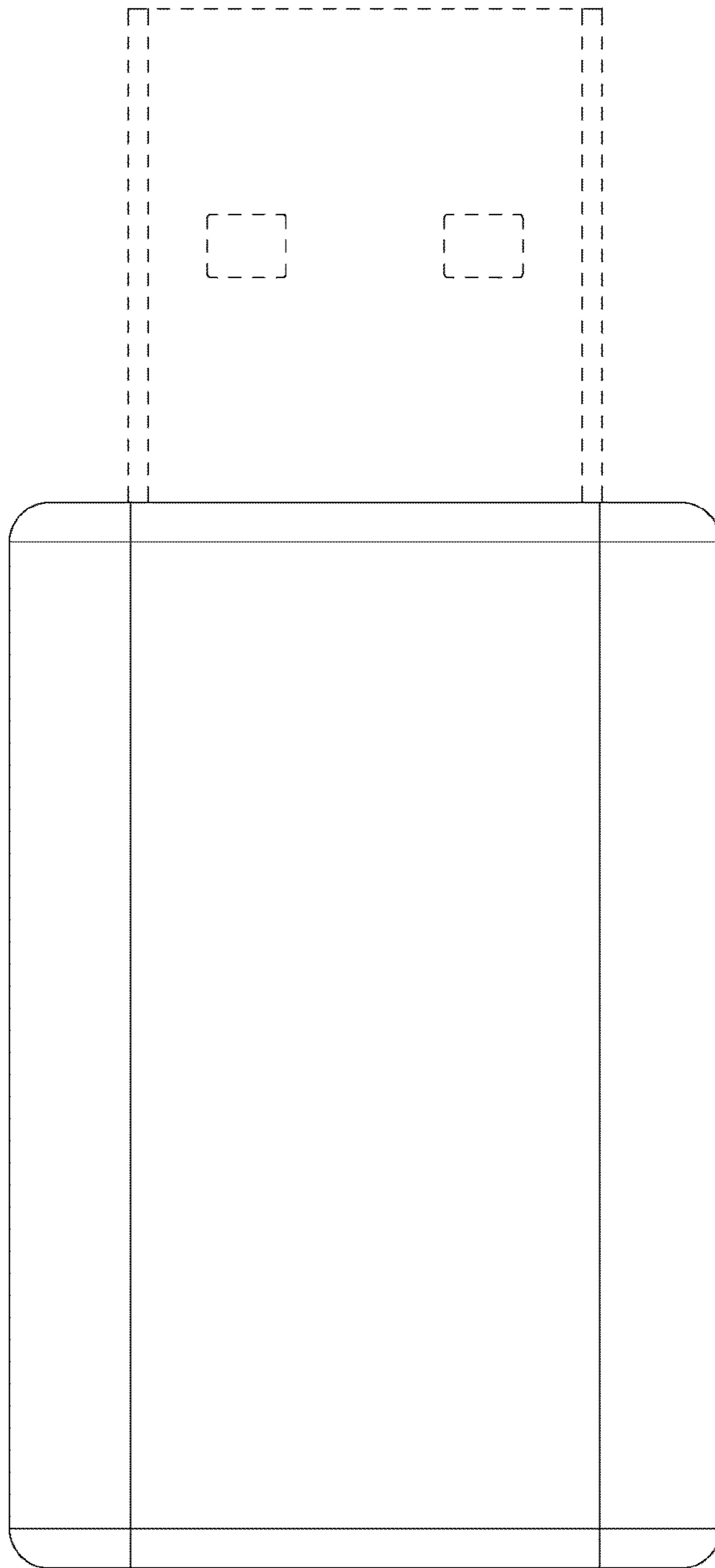


Figure 10

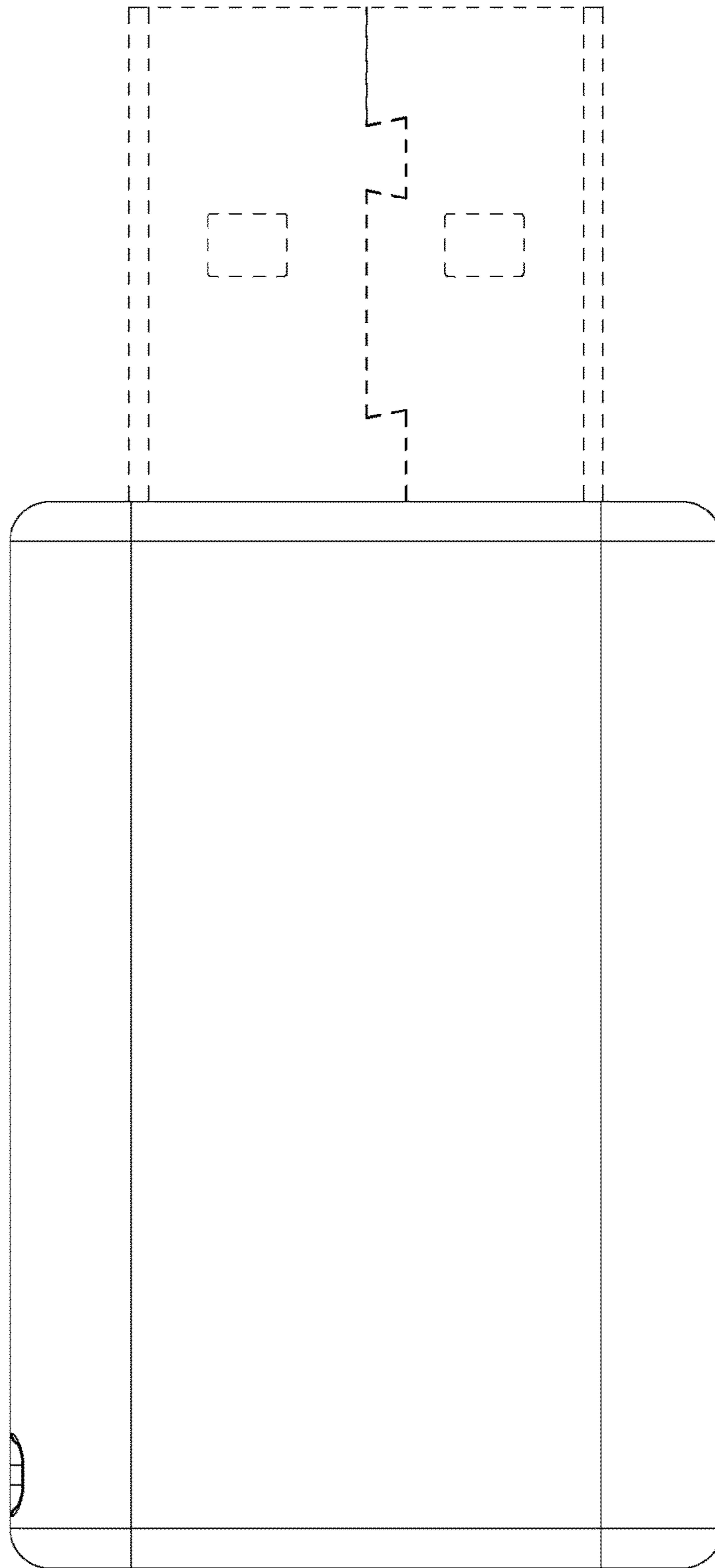


Figure 11



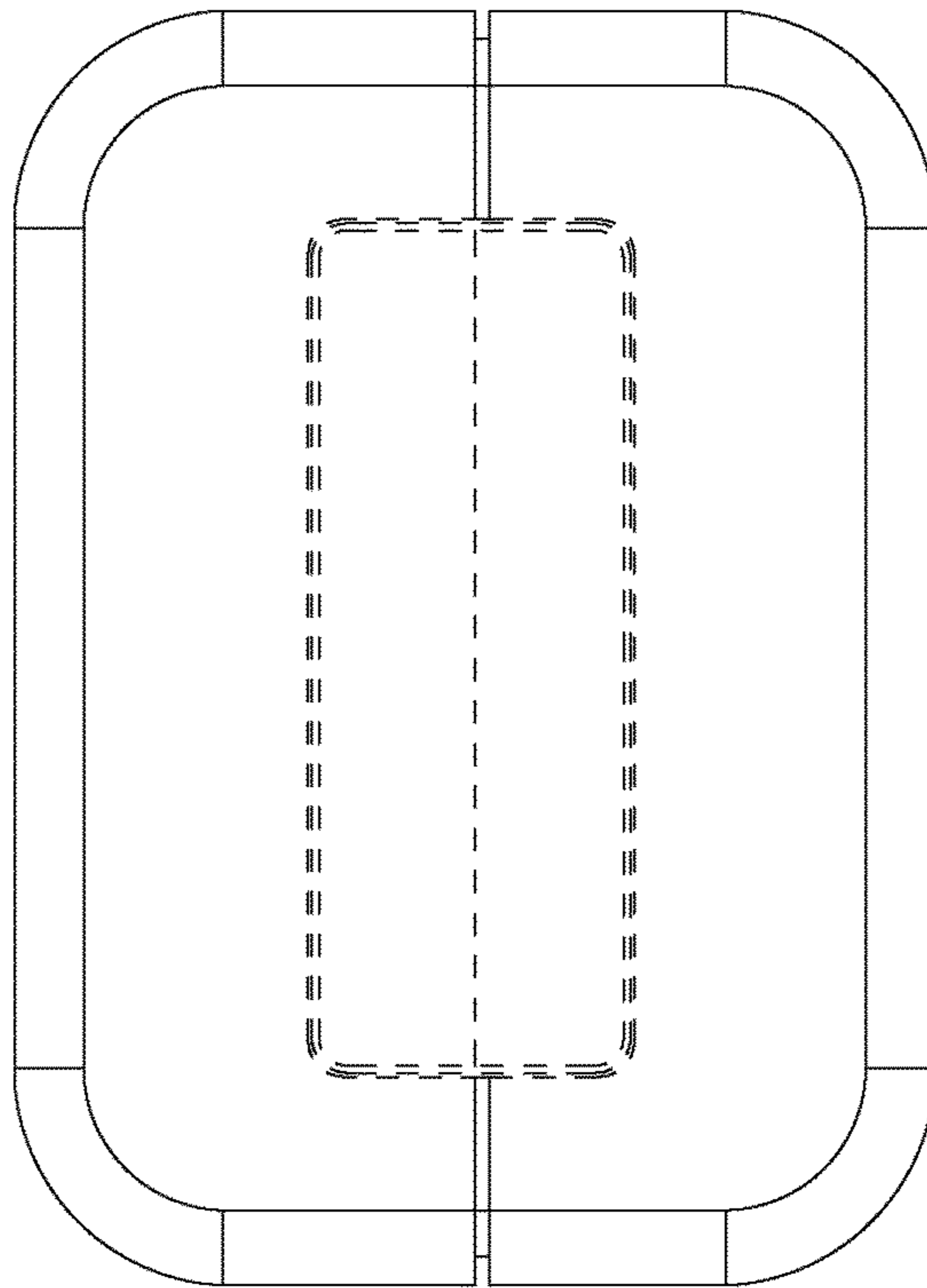


Figure 12

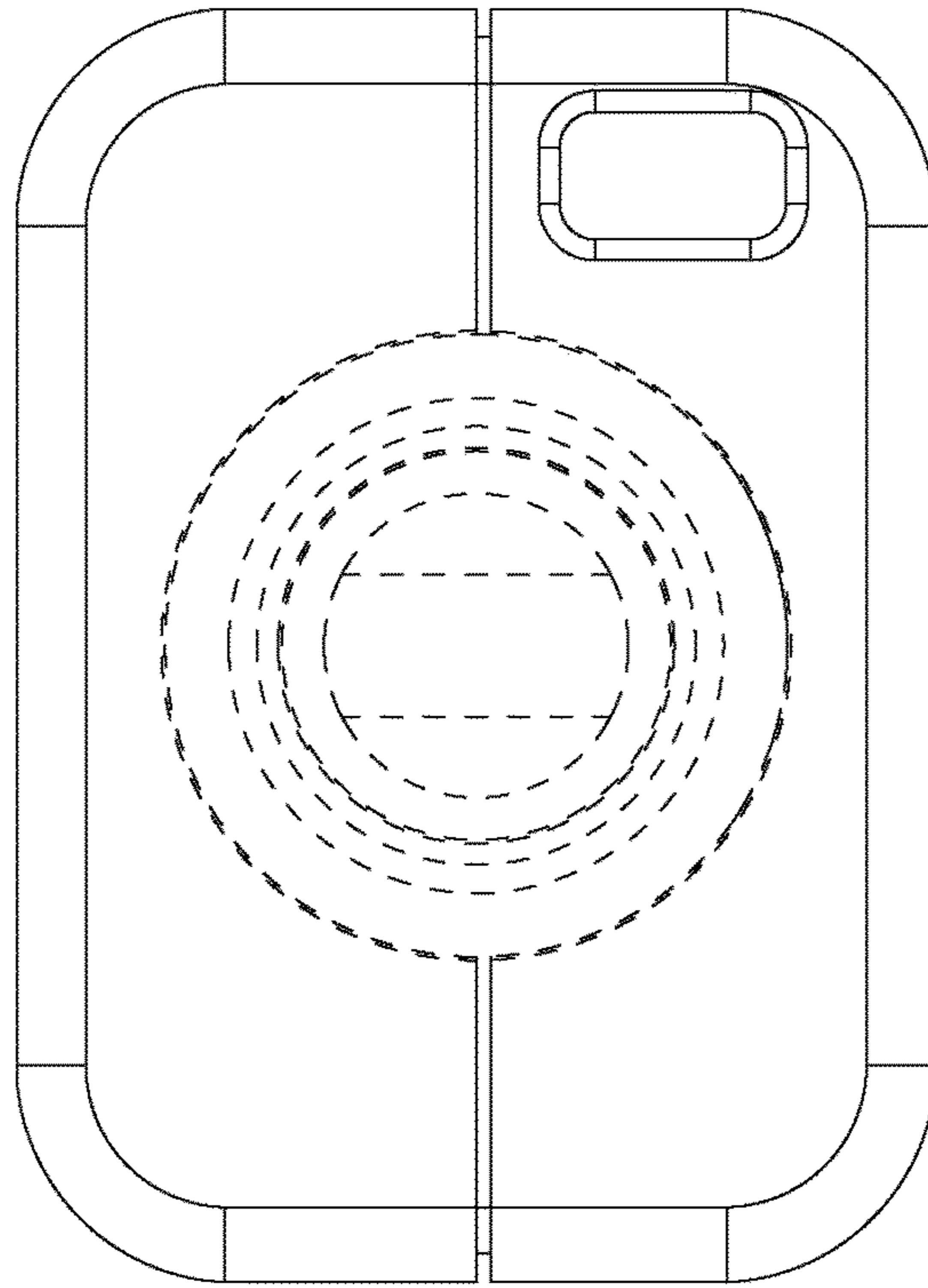


Figure 13

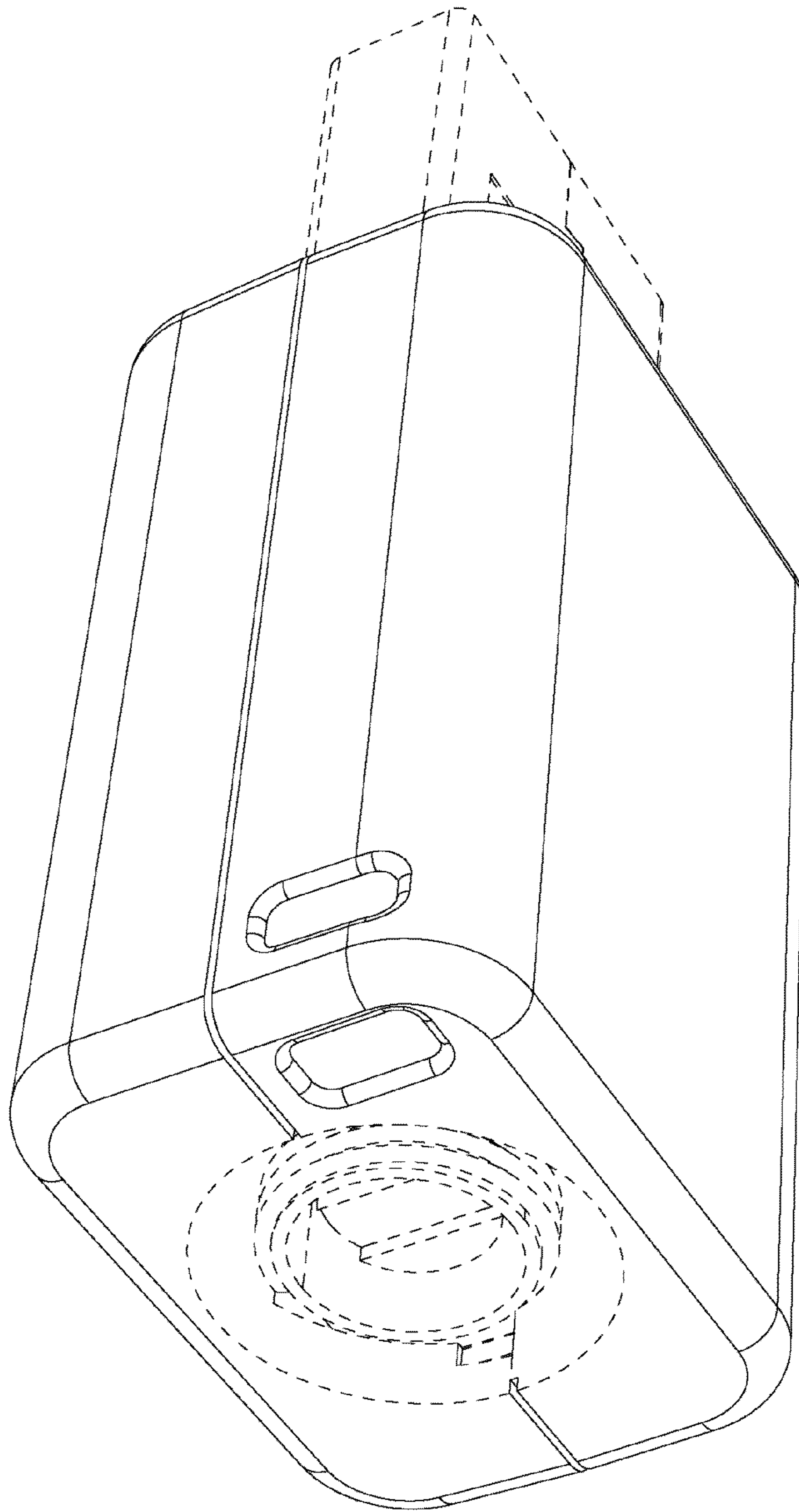


Figure 14

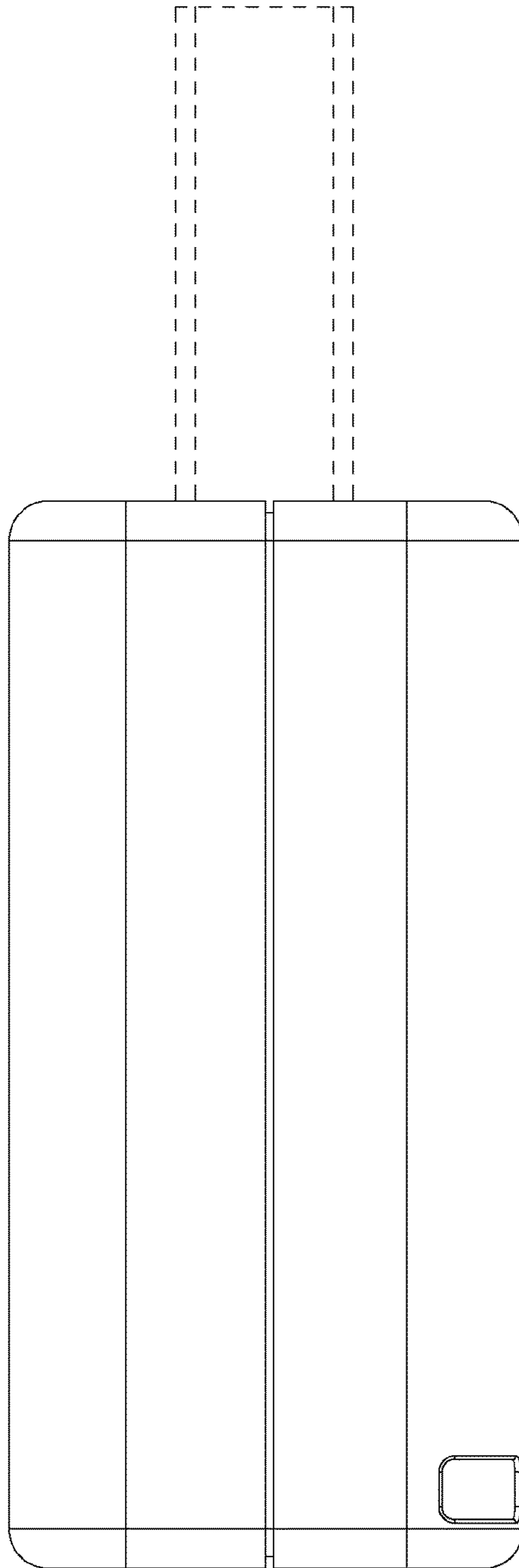


Figure 15

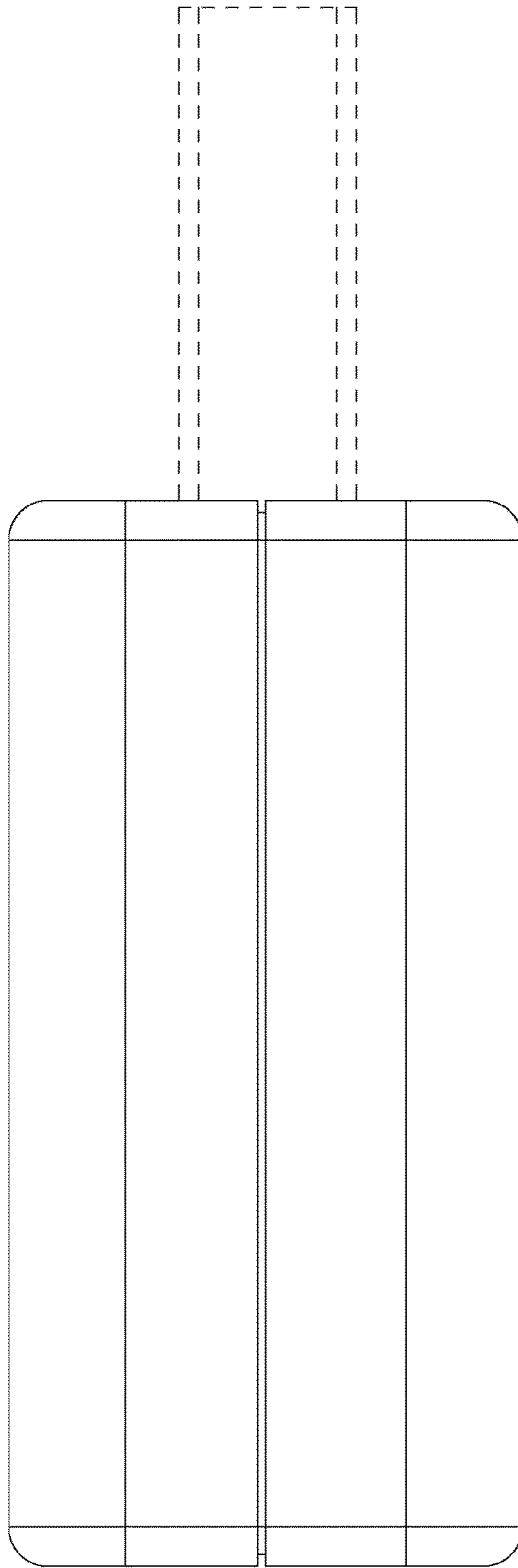


Figure 16



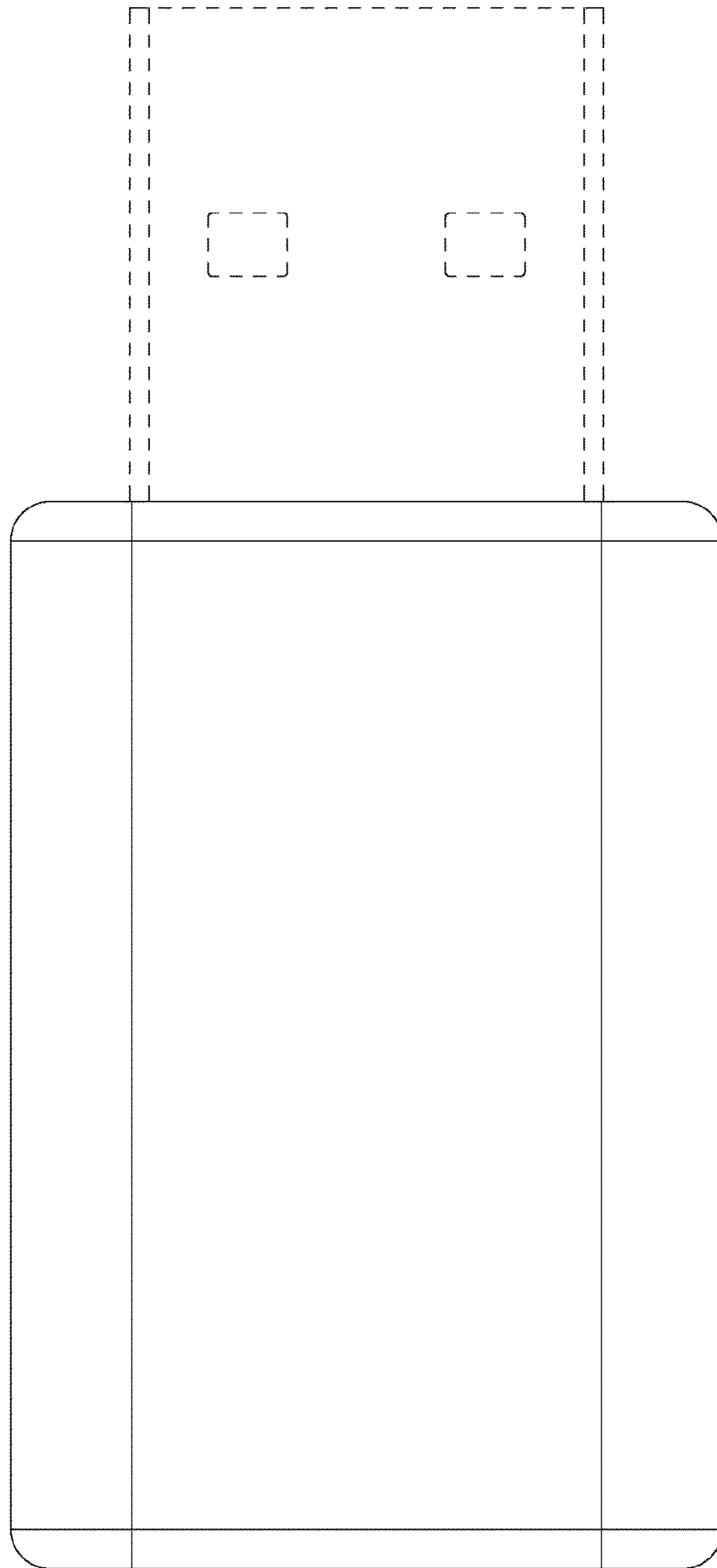


Figure 17

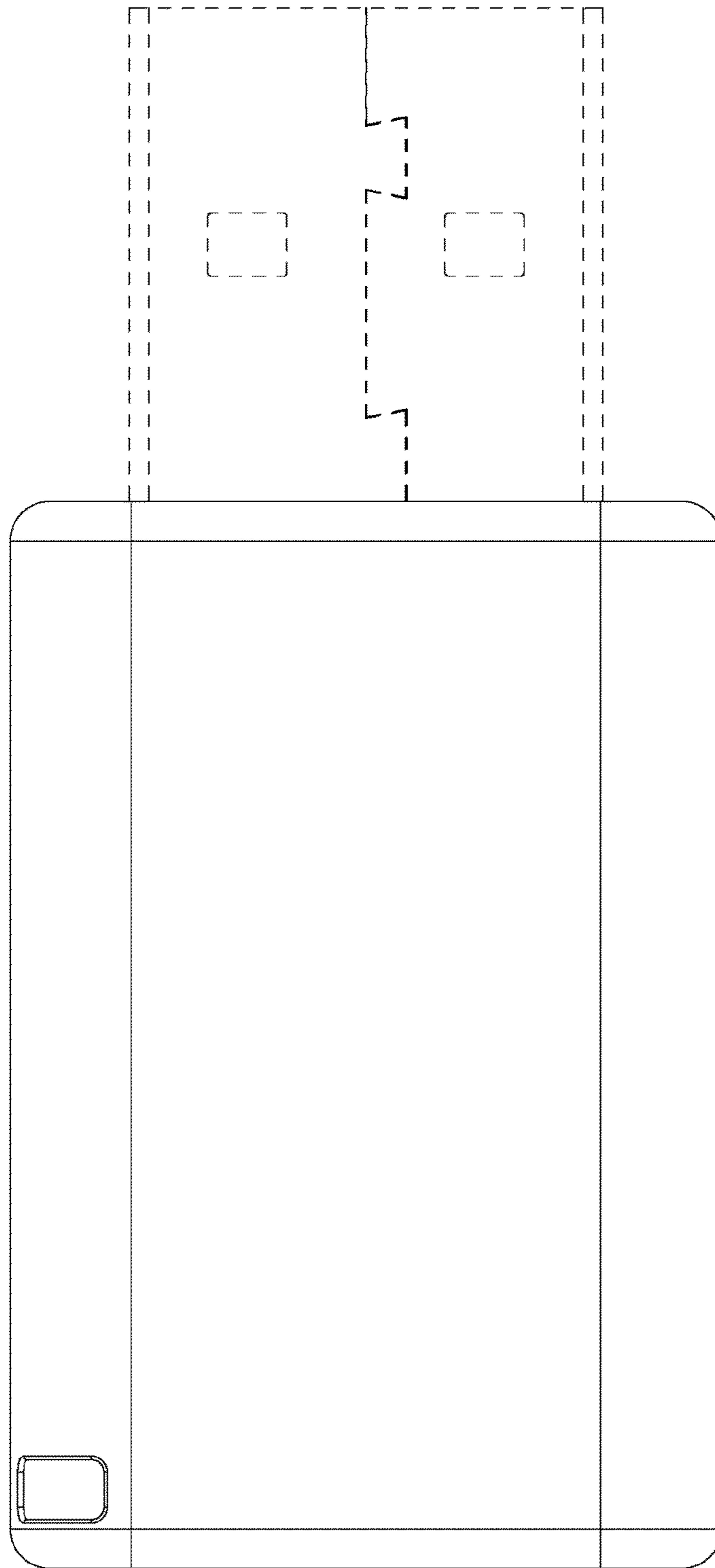


Figure 18

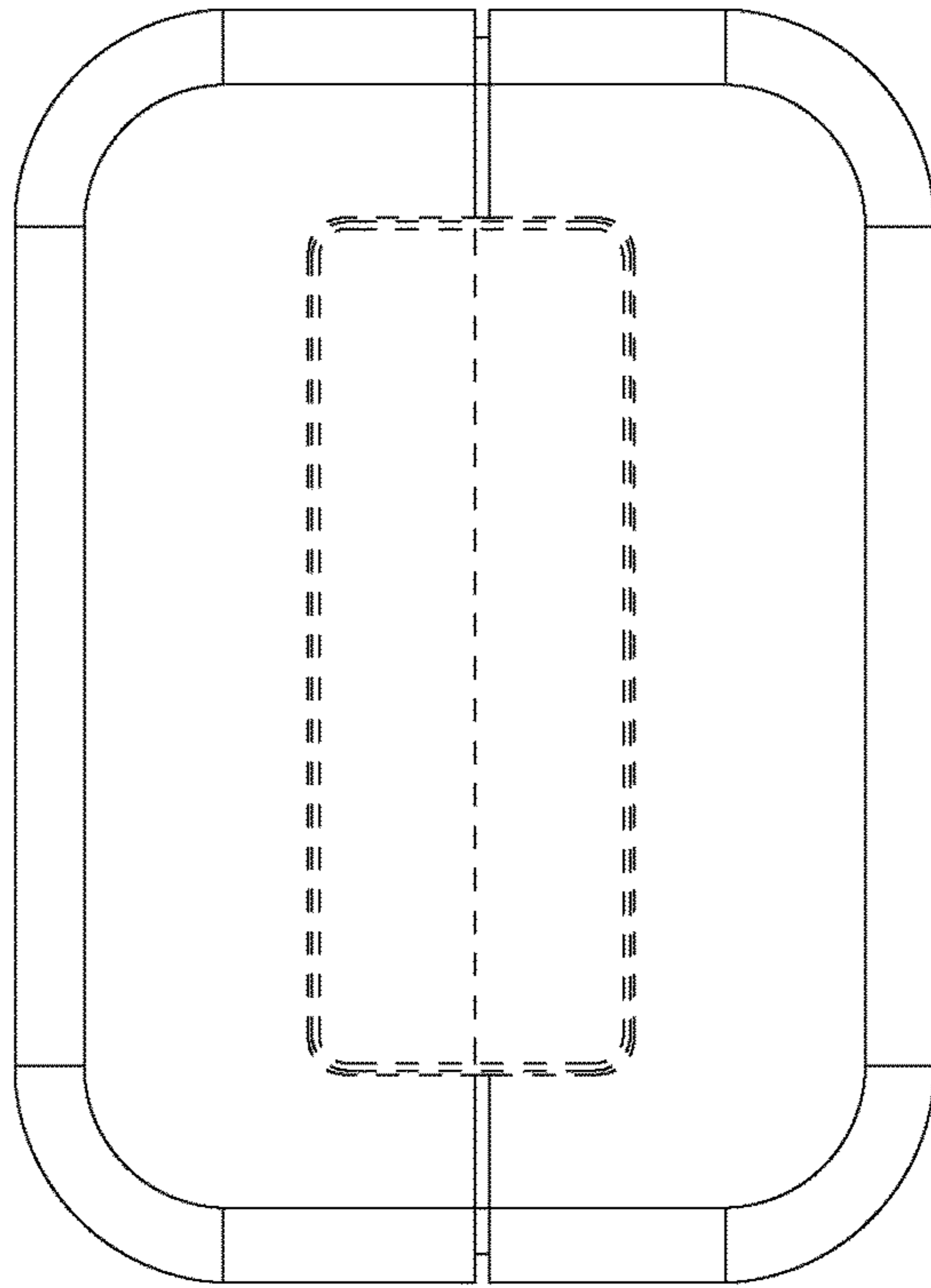


Figure 19

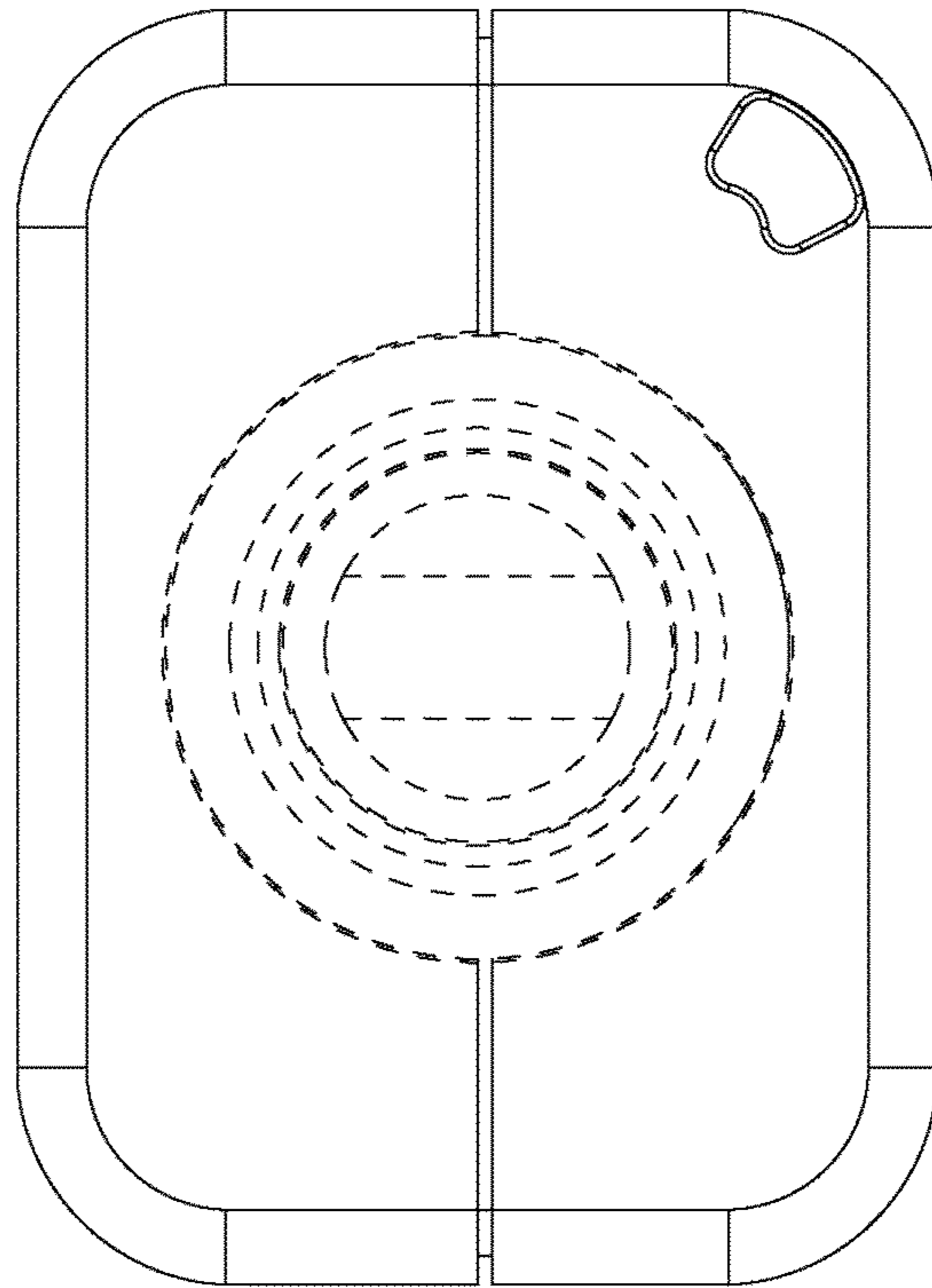


Figure 20

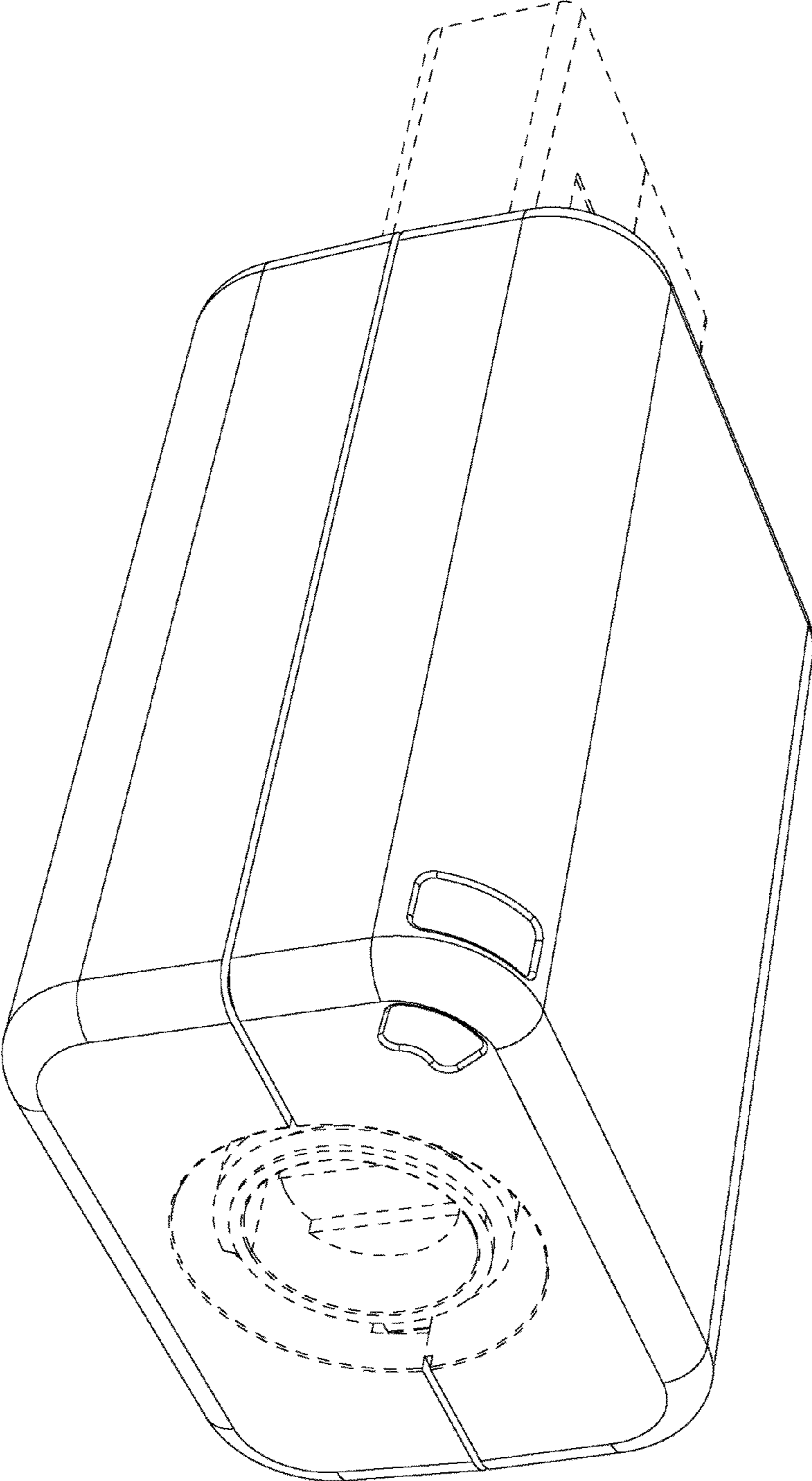


Figure 21



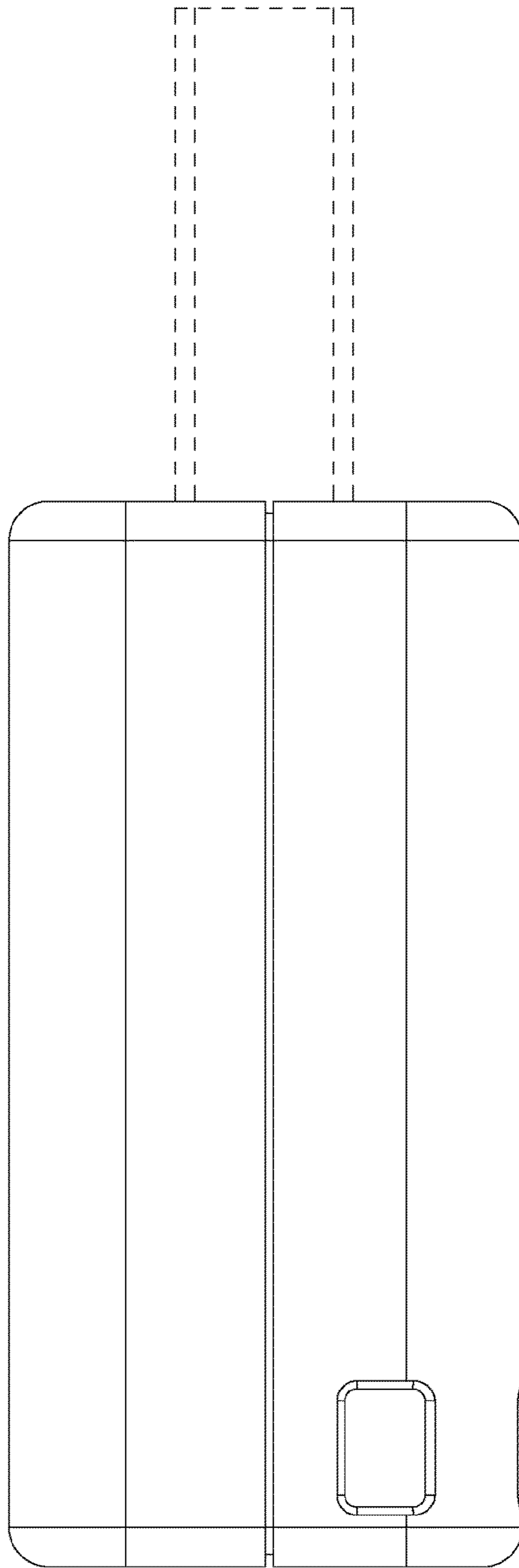


Figure 22

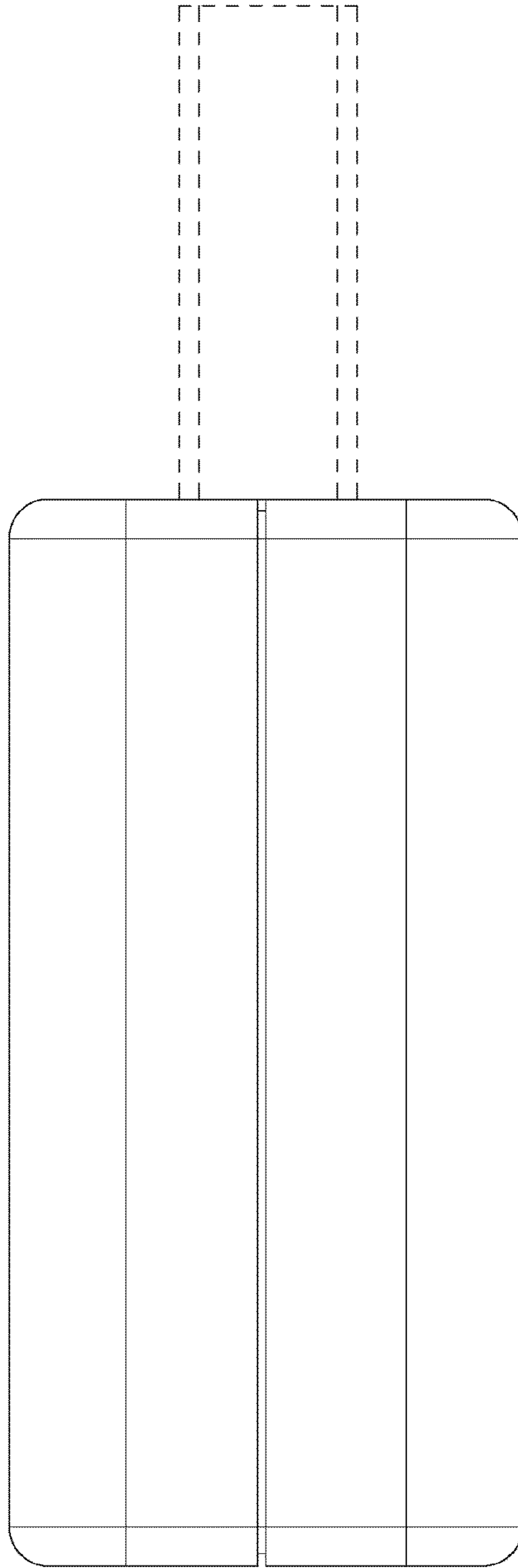


Figure 23

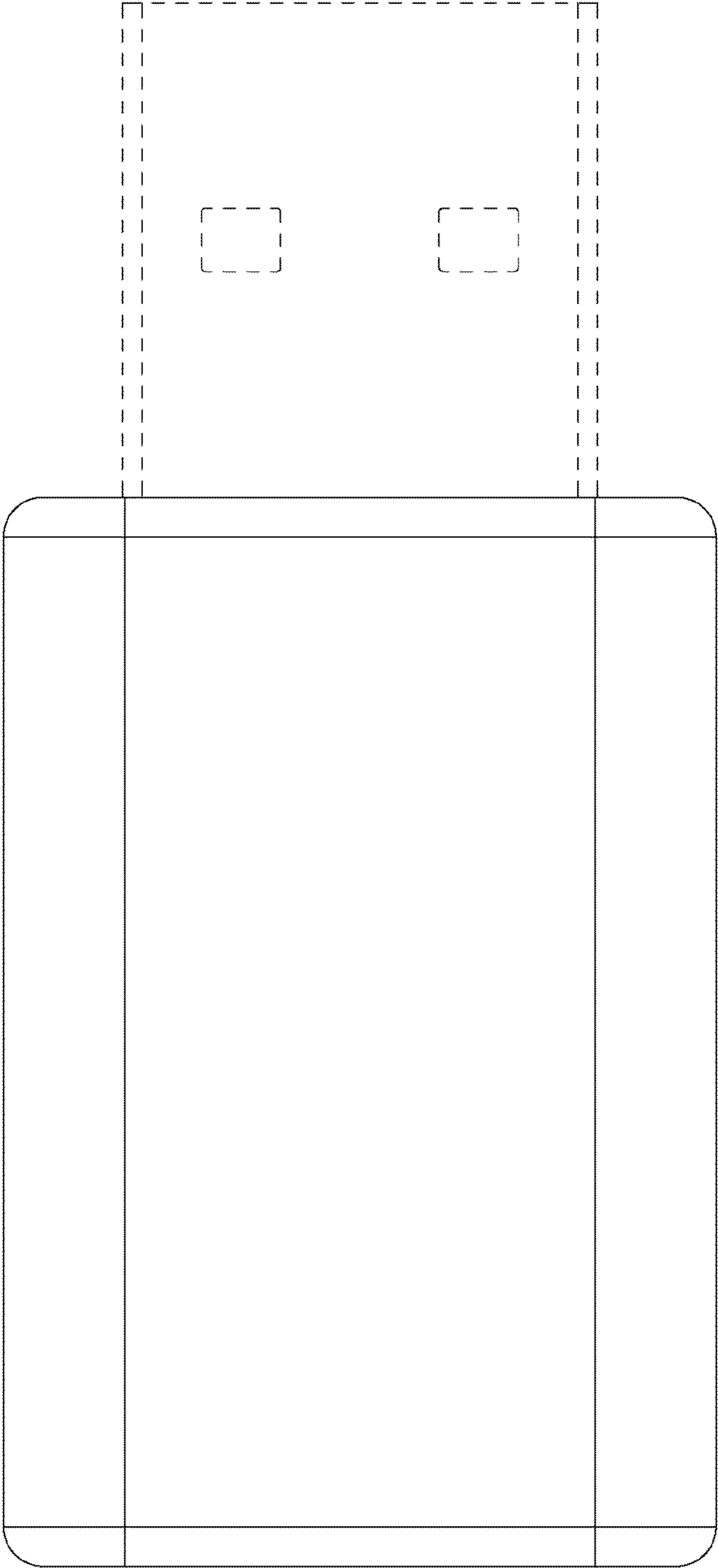


Figure 24

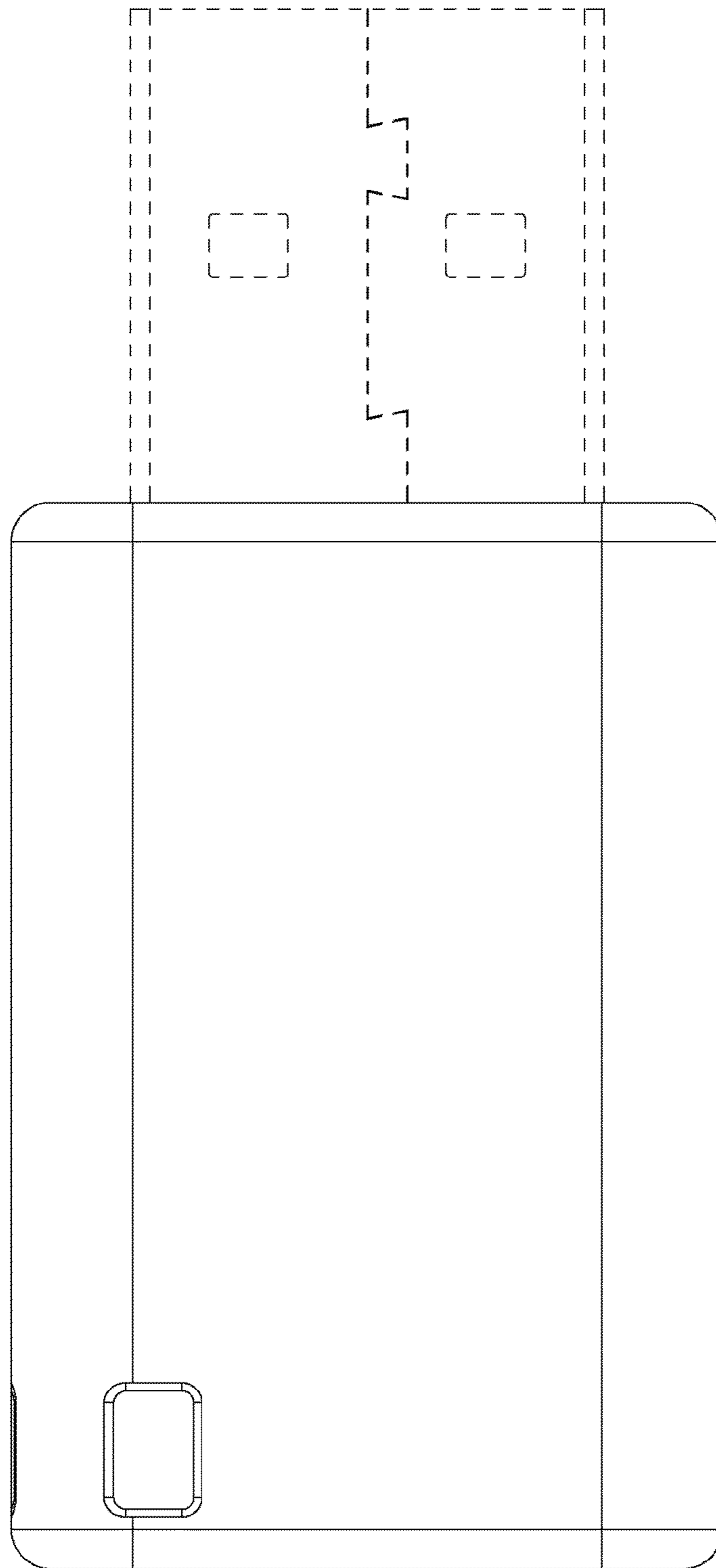


Figure 25

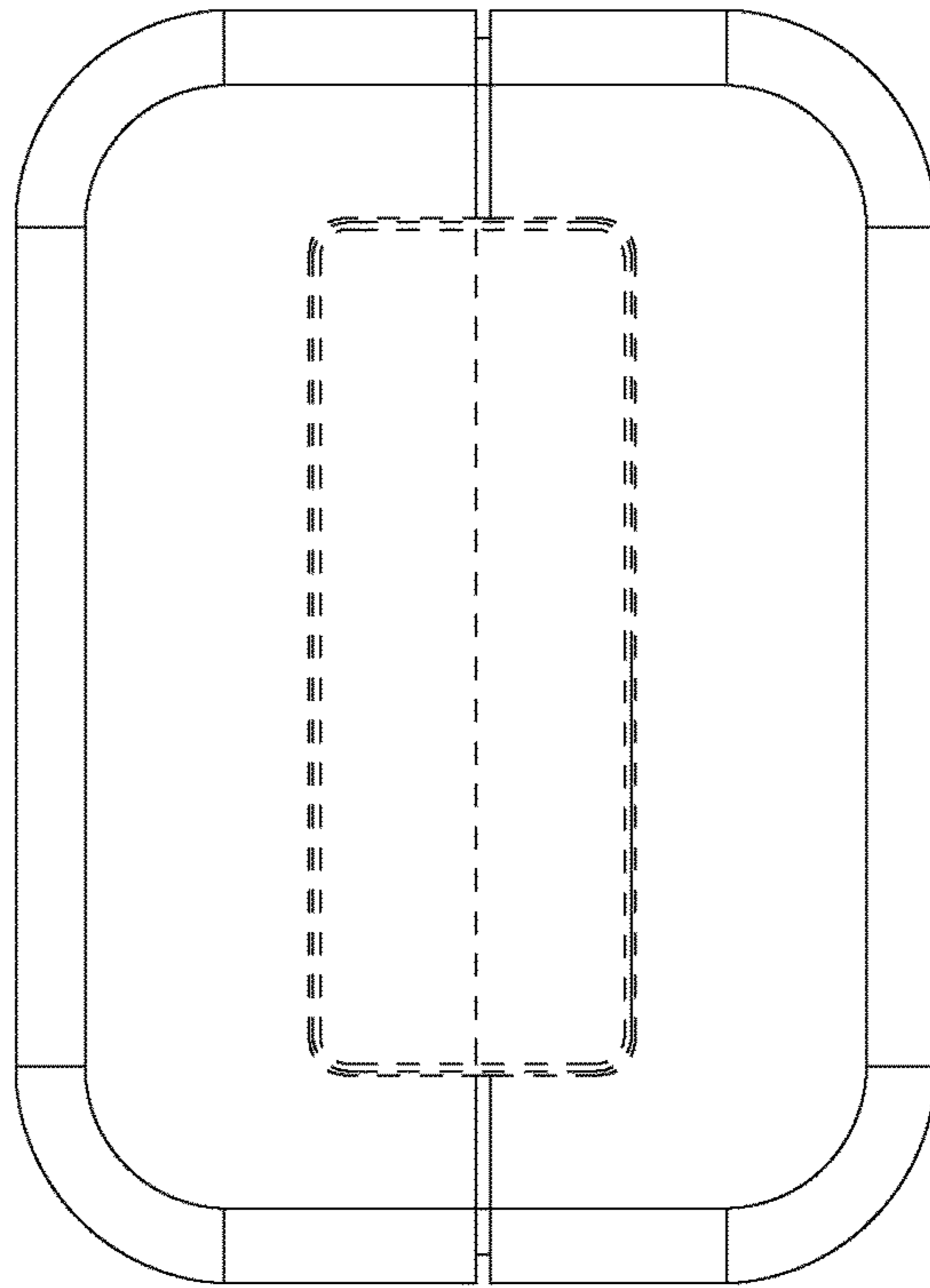


Figure 26



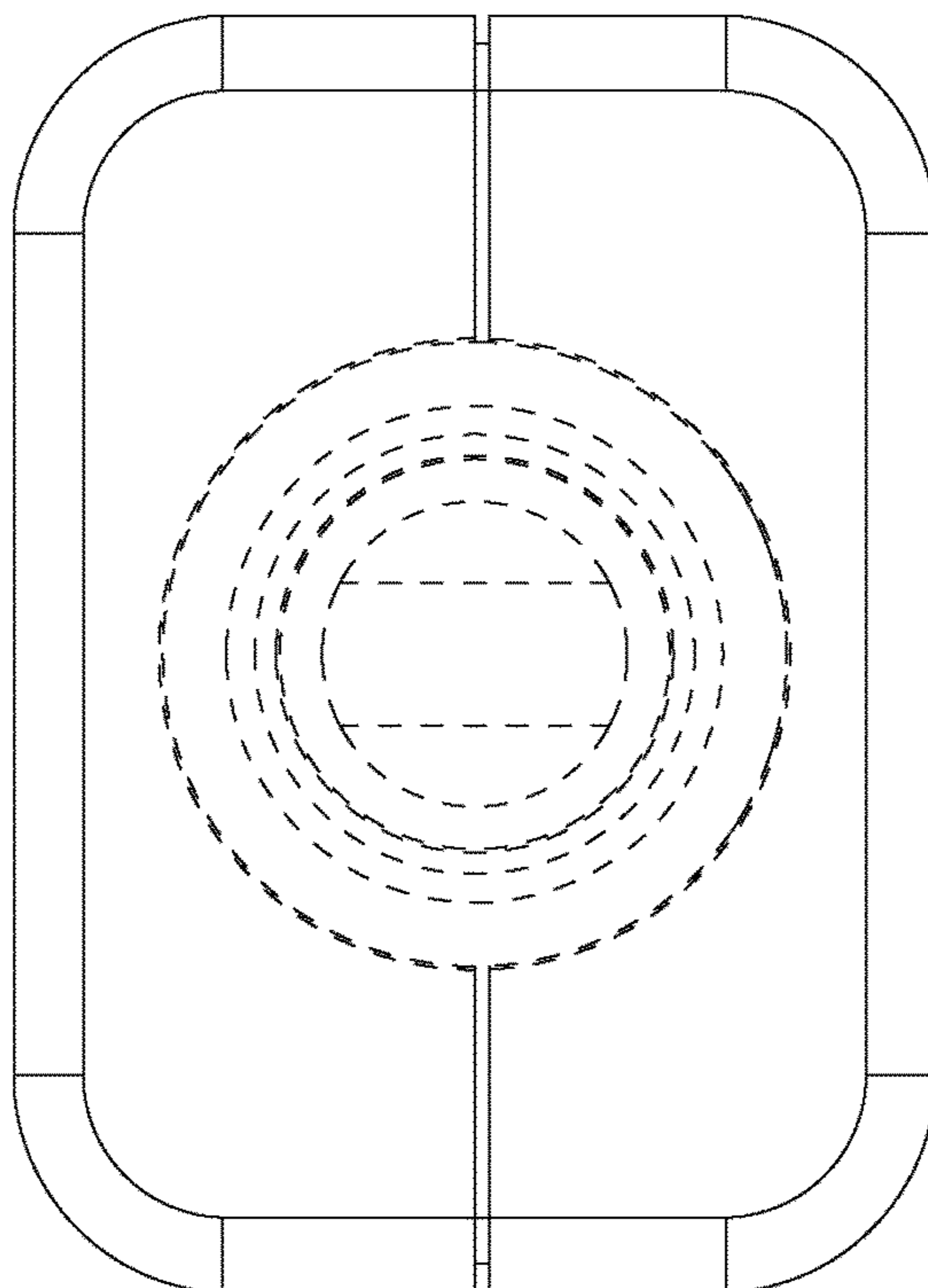


Figure 27

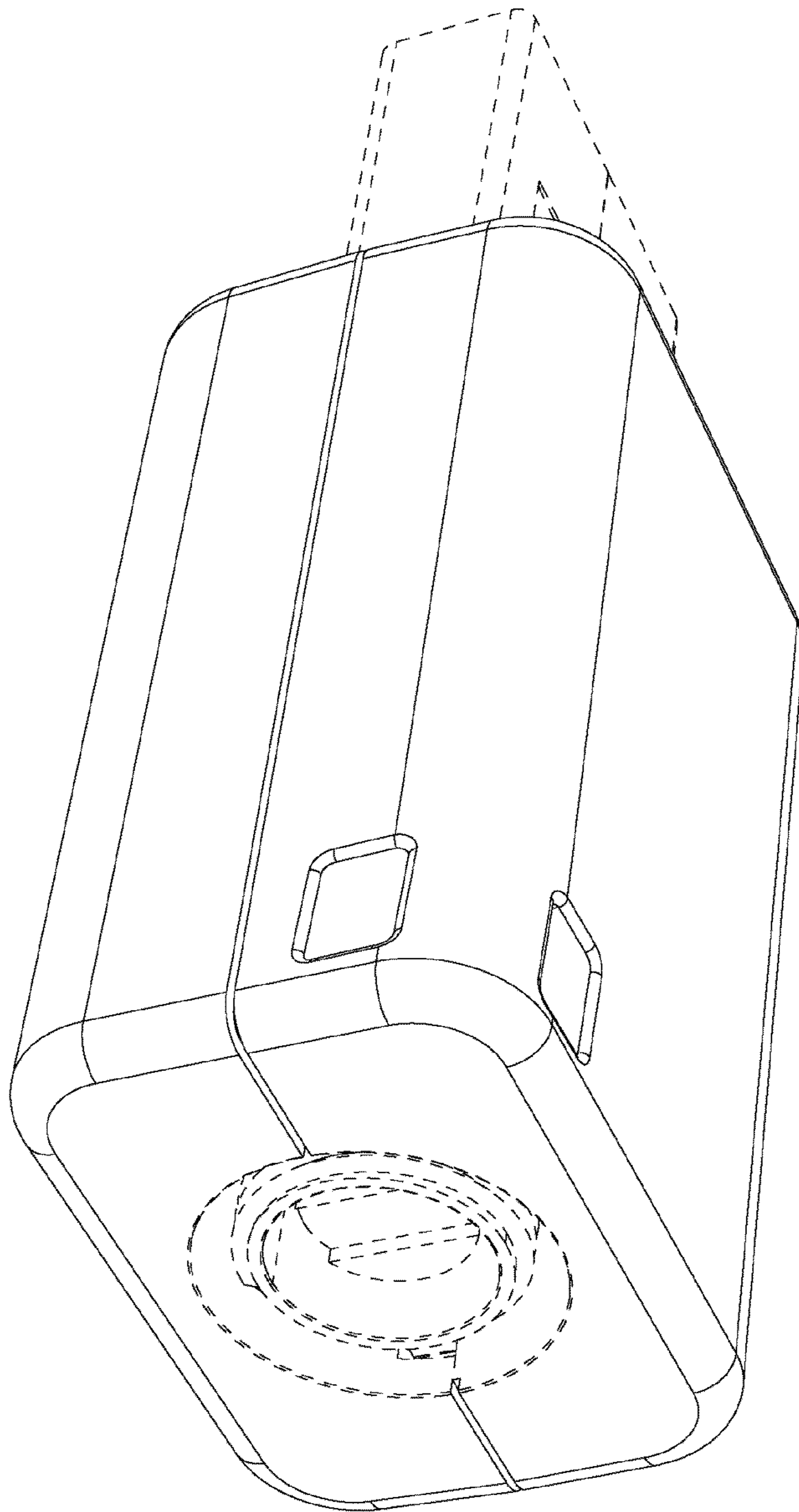


Figure 28