



US00D733649S

(12) **United States Design Patent**
Behar et al.

(10) **Patent No.:** **US D733,649 S**
(45) **Date of Patent:** **** Jul. 7, 2015**

(54) **DISPLAY FOR ELECTRONIC DEVICE**

H01M 2/1022; H01M 2/1055; H01M 10/44;
H01M 10/46; H01M 10/425; B60L 11/182;
B60L 11/1809; B60L 11/1861; B60R 16/03

(71) Applicant: **General Electric Company**,
Schenectady, NY (US)

See application file for complete search history.

(72) Inventors: **Yves Albert Behar**, San Francisco, CA
(US); **Joshua Tree Morenstein**, San
Francisco, CA (US); **Pichaya**
Puttorngul, San Francisco, CA (US);
Matthew David Swinton, San
Francisco, CA (US); **Jennifer Yoko**
Olson, San Francisco, CA (US);
Matthew John Malone, San Francisco,
CA (US)

(56)

References Cited

U.S. PATENT DOCUMENTS

D237,718 S 11/1975 Bozich et al.
4,161,682 A 7/1979 Corvette

(Continued)

OTHER PUBLICATIONS

U.S. Appl. No. 29/383,179, Non-Final Office Action dated Feb. 22,
2013.

(Continued)

(73) Assignee: **GENERAL ELECTRIC COMPANY**,
Schenectady, NY (US)

(**) Term: **14 Years**

Primary Examiner — Rosemary K Tarcza

(21) Appl. No.: **29/510,812**

(74) *Attorney, Agent, or Firm* — Cantor Colburn LLP

(22) Filed: **Dec. 3, 2014**

(57)

CLAIM

We claim, the ornamental design for an display for electronic
device, as shown and described.

Related U.S. Application Data

DESCRIPTION

(60) Division of application No. 29/464,589, filed on Aug.
19, 2013, which is a continuation of application No.
29/383,179, filed on Jan. 13, 2011, now Pat. No. Des.
688,199.

FIG. 1 is a perspective view of a first embodiment the inven-
tion;

(51) **LOC (10) Cl.** **13-02**

FIG. 2 is a front view of the embodiment of FIG. 1;

(52) **U.S. Cl.**

FIG. 3 is a rear view of the embodiment of FIG. 1;

USPC **D13/107**

FIG. 4 is a side view of the embodiment of FIG. 1, the
opposite side being a mirror image thereof;

(58) **Field of Classification Search**

USPC D13/107–110, 118–119, 184, 199;
D15/9; 320/103–115

FIG. 5 is a top view of the embodiment of FIG. 1; and,

CPC Y02E 60/12; Y02T 90/14; Y02T 90/122;

FIG. 6 is a bottom view of the embodiment of FIG. 1.

Y02T 90/128; Y02T 90/163; Y02T 10/7005;

The broken lines shown in FIG. 1-FIG. 6 are environmental
and not part of the claimed design.

Y02T 10/705; Y02T 10/7088; H02J 3/32;

References to “side”, “top”, “front”, “rear” and “bottom” in
the figure descriptions are not meant to require certain in-use
orientation; a display for electronic device according to the
claimed design may be used in any orientation.

H02J 3/008; H02J 7/025; H02J 7/0013;

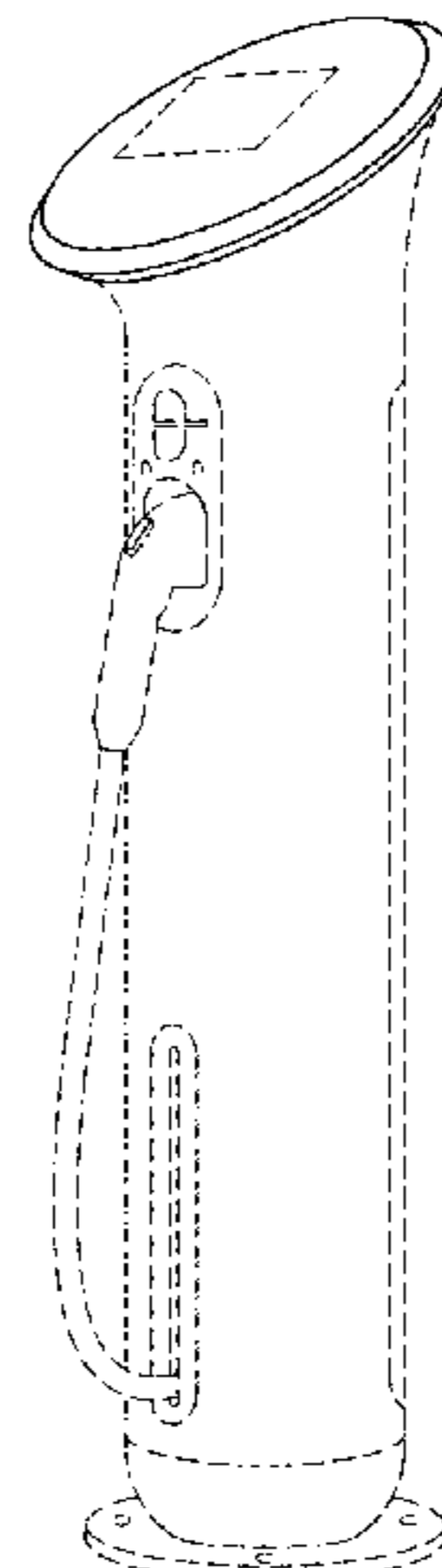
H02J 7/0027; H02J 7/0034; H02J 7/0042;

H02J 7/0044; H02J 7/0045; H02J 7/0054;

H02J 7/1423; H02J 7/0003; H02J 2001/006;

H02J 2001/008; H01F 38/14; H01R 13/6675;

1 Claim, 5 Drawing Sheets



(56)

References Cited

U.S. PATENT DOCUMENTS

D270,831 S 10/1983 Jensen
 D360,496 S 7/1995 Norman
 5,461,299 A 10/1995 Bruni
 D434,001 S 11/2000 Sayger
 6,362,594 B2 3/2002 Kajiura
 D464,934 S * 10/2002 Chen D13/110
 D511,746 S 11/2005 Lu
 D597,937 S 8/2009 Haw et al.
 D602,615 S 10/2009 Liu
 D608,731 S 1/2010 Amit
 D608,733 S 1/2010 Smith
 D608,734 S 1/2010 Smith
 D613,683 S 4/2010 Baxter et al.
 D618,168 S 6/2010 Baxter et al.
 D628,960 S 12/2010 Shimizu et al.
 D629,747 S 12/2010 Rajakaruna
 D632,645 S 2/2011 Blain
 D634,267 S 3/2011 Blain
 D639,733 S 6/2011 Liu et al.
 D641,316 S 7/2011 Schneiderat
 D641,317 S 7/2011 Schneiderat
 D646,631 S 10/2011 Gotou et al.
 D647,053 S 10/2011 Gotou et al.
 D651,561 S * 1/2012 Petrie et al. D13/107
 D652,791 S * 1/2012 Petrie et al. D13/107
 D654,857 S * 2/2012 Salazar et al. D13/107
 D654,858 S * 2/2012 Salazar et al. D13/107
 D654,859 S * 2/2012 Callender D13/107
 D654,861 S * 2/2012 Holthusen D13/107
 D654,862 S * 2/2012 Holthusen D13/107
 D662,045 S 6/2012 Gotou et al.

D664,089 S * 7/2012 Kim et al. D13/107
 D664,500 S 7/2012 Degn
 D664,918 S 8/2012 Brandys et al.
 D664,919 S 8/2012 Brandys et al.
 D665,344 S * 8/2012 Petrie et al. D13/107
 D676,376 S 2/2013 Yamada et al.
 D683,306 S 5/2013 Lecoanet et al.
 D683,307 S 5/2013 Lecoanet et al.
 D683,308 S 5/2013 Lecoanet et al.
 D688,199 S * 8/2013 Behar et al. D13/107
 D698,309 S * 1/2014 Moribe et al. D13/107
 D710,799 S 8/2014 Chin-Ho Kim et al.
 2010/0013433 A1 1/2010 Baxter et al.
 2010/0320966 A1 12/2010 Baxter et al.
 2011/0140656 A1 6/2011 Starr et al.
 2011/0145141 A1 6/2011 Blain et al.
 2011/0174875 A1 7/2011 Wurzer et al.
 2012/0212180 A1 * 8/2012 Iida et al. 320/109
 2012/0262114 A1 * 10/2012 Bianco 320/109
 2013/0026987 A1 1/2013 Gutierrez et al.
 2013/0175989 A1 * 7/2013 Bonwit et al. 320/109
 2013/0181670 A1 * 7/2013 Bonwit et al. 320/109
 2013/0234663 A1 9/2013 Kushalappa et al.
 2014/0111158 A1 4/2014 Kinomura et al.
 2014/0117144 A1 * 5/2014 Kinomura et al. 242/590
 2014/0266017 A1 9/2014 Hamada et al.

OTHER PUBLICATIONS

U.S. Appl. No. 29/464,589 Notice of Allowance dated Dec. 23, 2014.
 Notice of Allowance, U.S. Appl. No. 29/510,805, dated Mar. 4, 2015.
 Notice of Allowance, U.S. Appl. No. 29/510,817, issued Apr. 2, 2015.

* cited by examiner

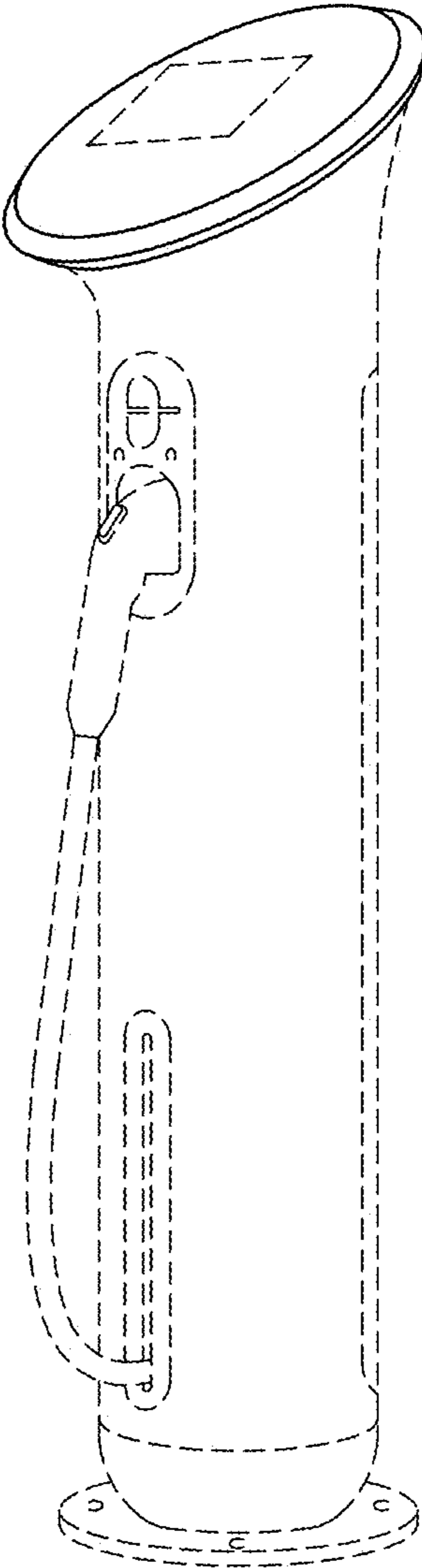


FIG. 1

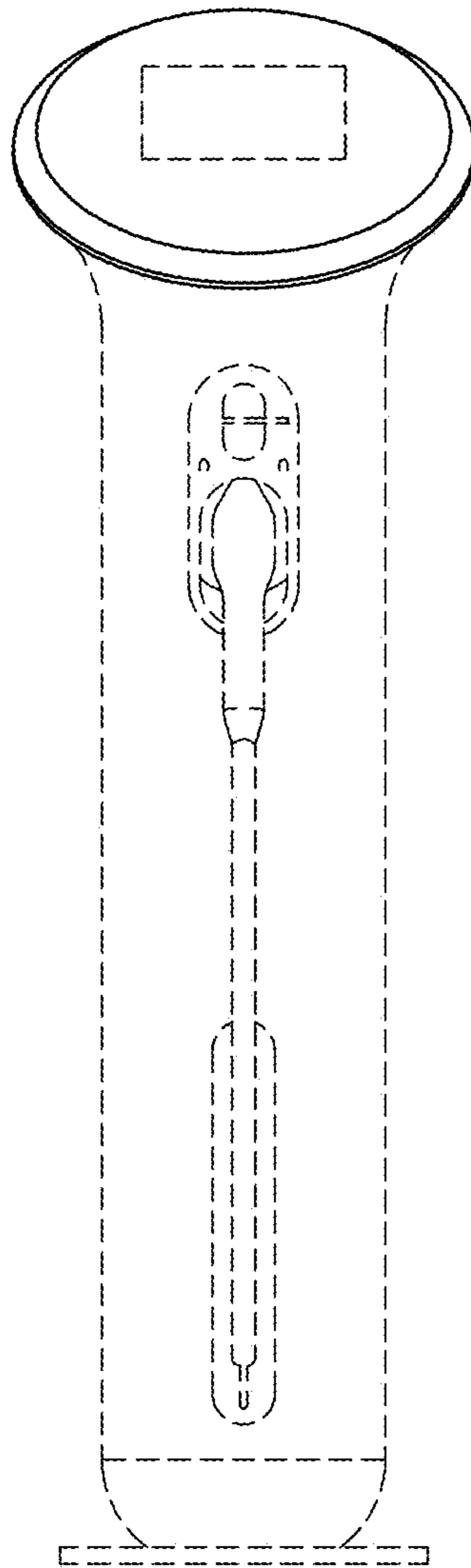


FIG. 2

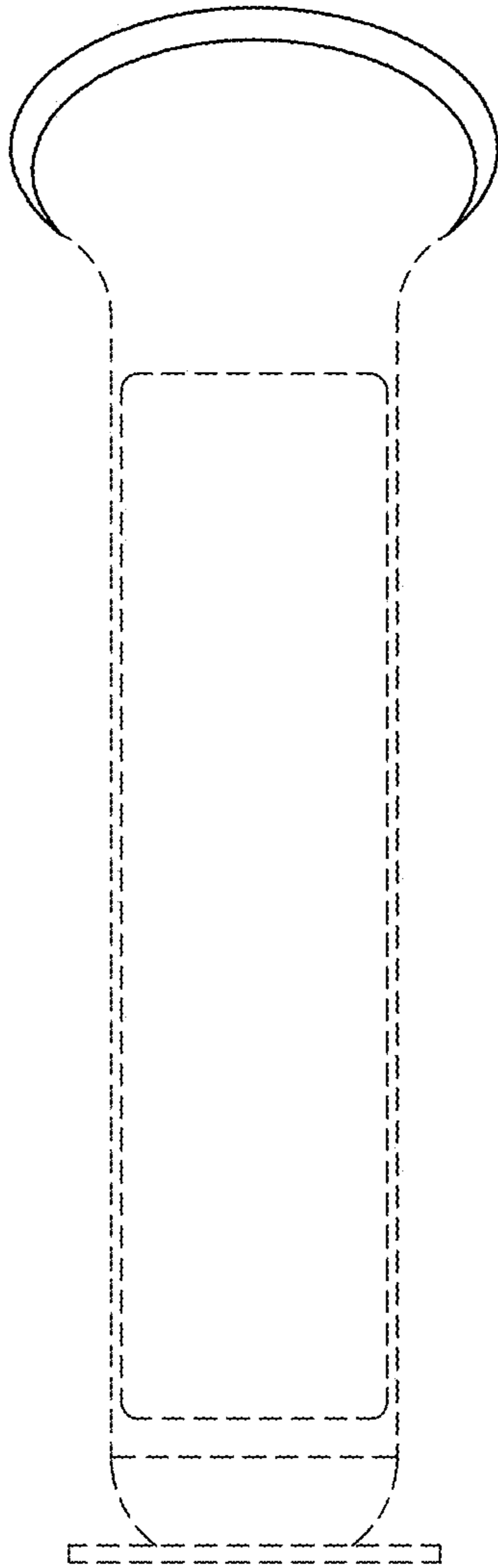


FIG. 3

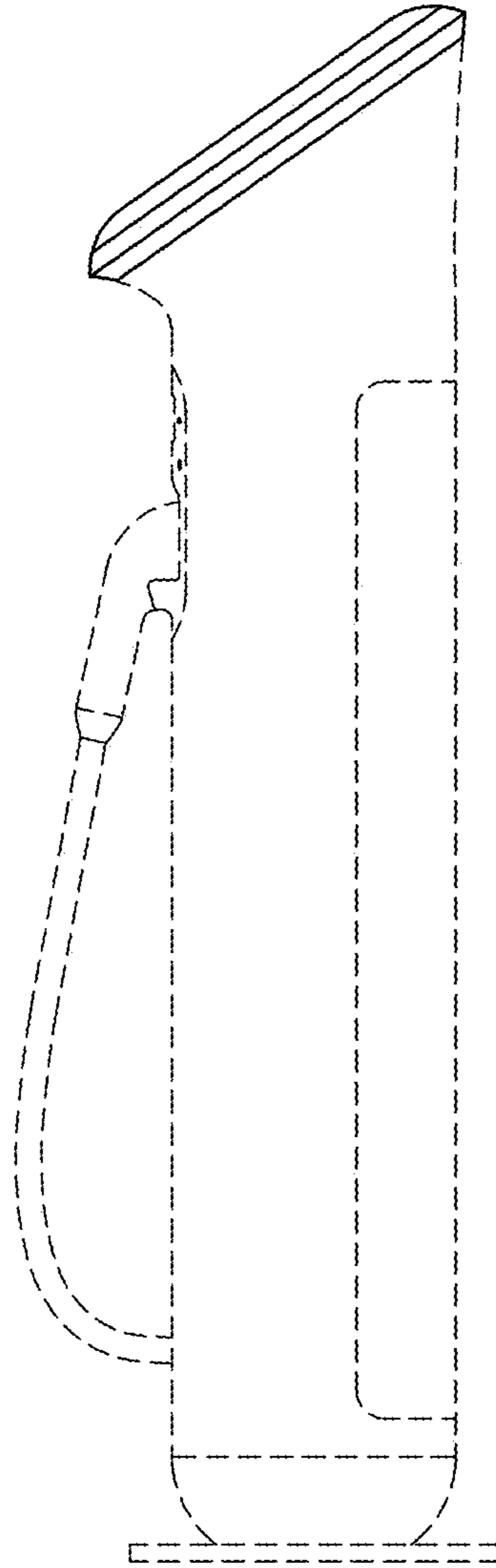


FIG. 4

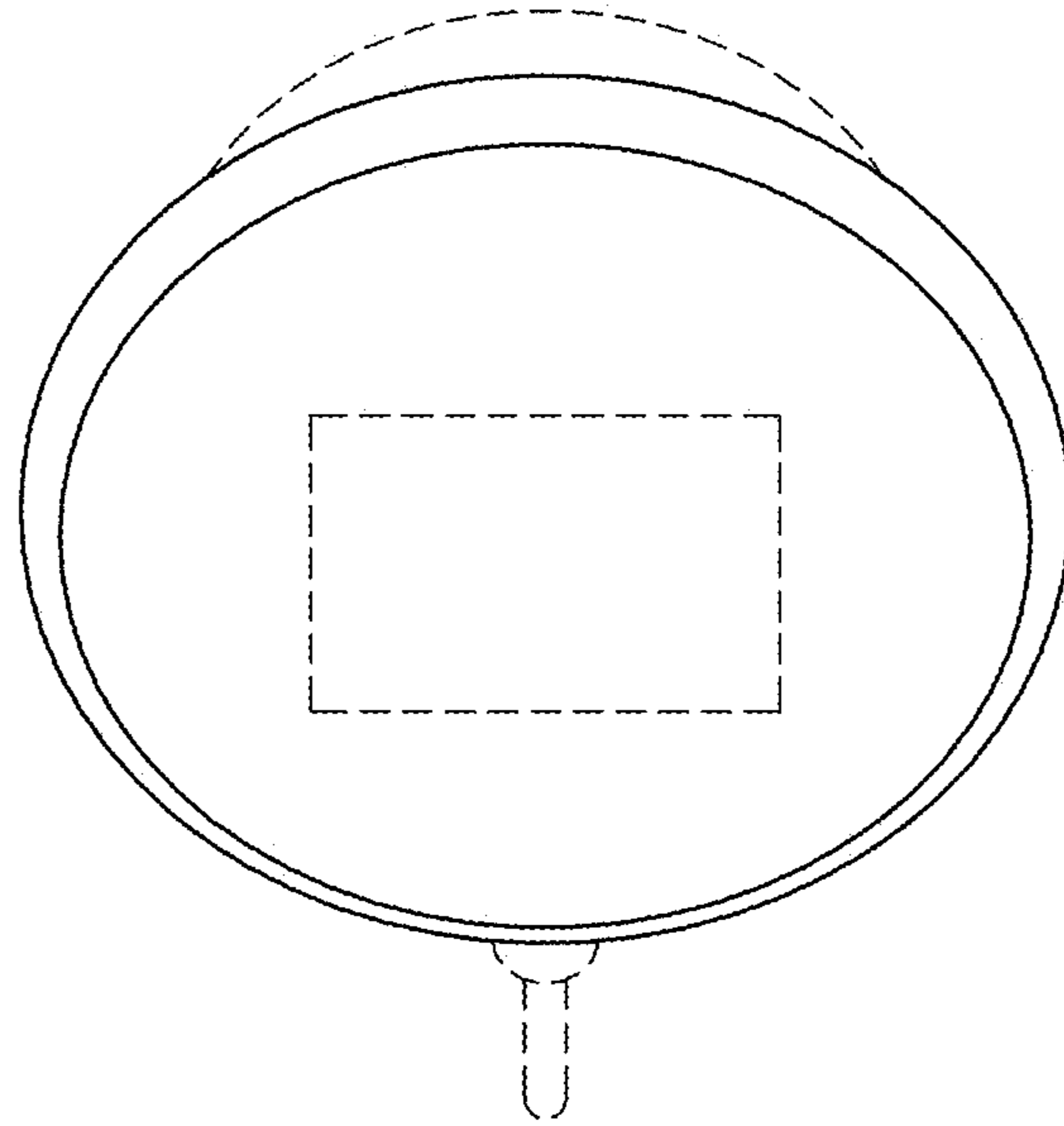


FIG. 5

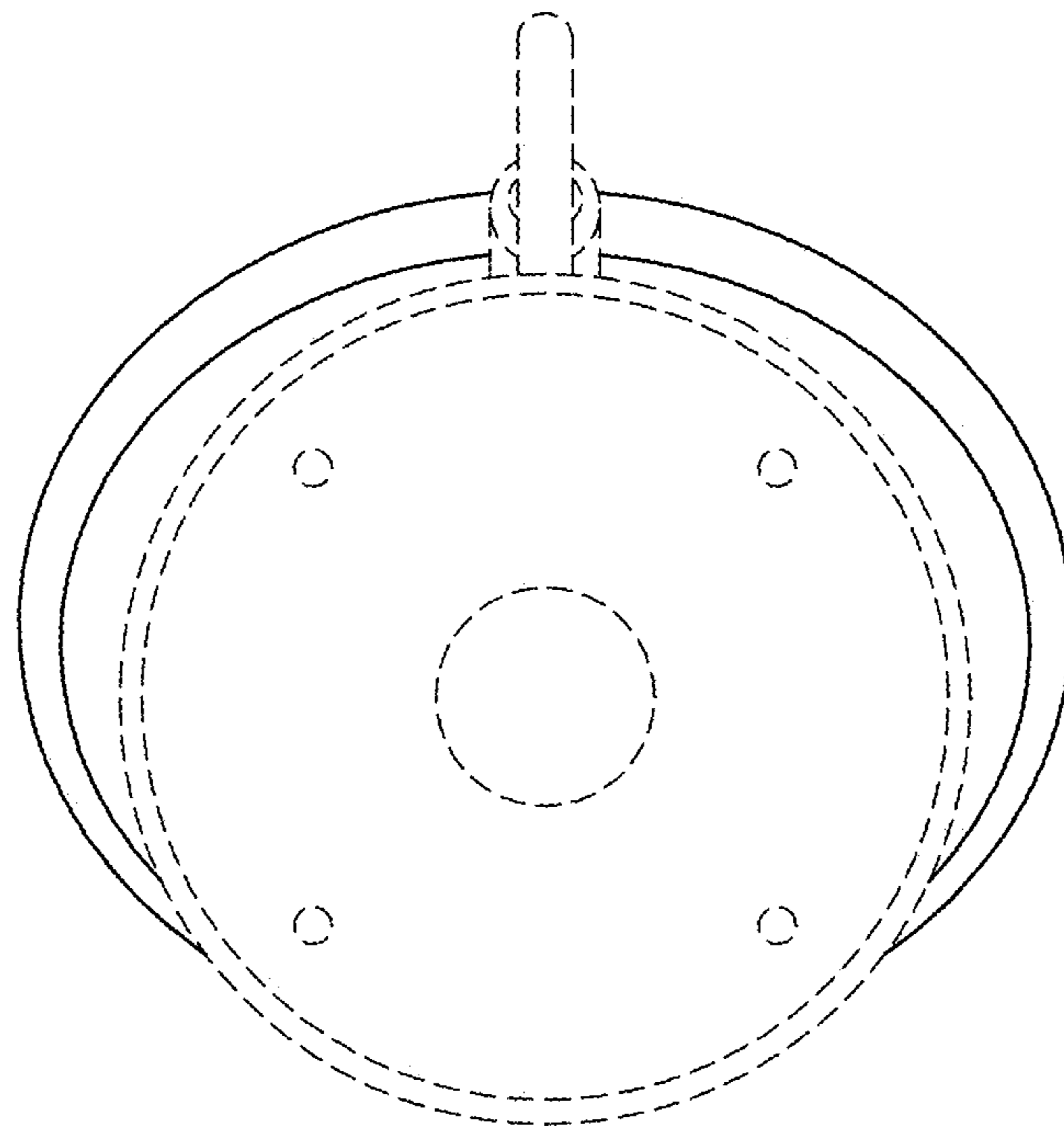


FIG. 6

UNITED STATES PATENT AND TRADEMARK OFFICE
CERTIFICATE OF CORRECTION

PATENT NO. : D733,649 S
APPLICATION NO. : 29/510812
DATED : July 7, 2015
INVENTOR(S) : Behar et al.

Page 1 of 1

It is certified that error appears in the above-identified patent and that said Letters Patent is hereby corrected as shown below:

On the Title Page, in Column 1, delete item “(60)” and insert item -- (62) --, therefor.

On the Title Page, item (56), under “OTHER PUBLICATIONS”, in Column 2, Line 1,
delete “29/383,179, Non-Final” and insert -- 29/383,179 Non-Final --, therefor.

Signed and Sealed this
First Day of March, 2016



Michelle K. Lee
Director of the United States Patent and Trademark Office