



US00D733646S

(12) **United States Design Patent**
Spillere

(10) **Patent No.:** **US D733,646 S**
(45) **Date of Patent:** **** Jul. 7, 2015**

(54) **MULTIFUNCTION ELECTRONIC BATTERY CHARGER**

DESCRIPTION

- (71) Applicant: **TELWIN S.P.A.**, Villaverla (Vicenza) (IT)
- (72) Inventor: **Antonio Spillere**, Villaverla (IT)
- (73) Assignee: **TELWIN S.P.A.**, Villaverla (Vicenza) (IT)
- (**) Term: **14 Years**
- (21) Appl. No.: **29/484,194**
- (22) Filed: **Mar. 6, 2014**
- (51) **LOC (10) Cl.** **13-02**
- (52) **U.S. Cl.**
USPC **D13/107**
- (58) **Field of Classification Search**
USPC D13/107-110, 118-119, 184, 199;
D15/9; 320/103-115
CPC Y02E 60/12; Y02T 90/14; Y02T 90/122;
Y02T 90/128; Y02T 90/163; Y02T 10/7005;
Y02T 10/705; Y02T 10/7088; H02J 7/025;
H02J 7/0034; H02J 7/0042; H02J 7/0044;
H02J 7/0045; H02J 7/0054; H02J 7/1423;
H02J 7/0003; H02J 2001/006; H01F 38/14;
H01R 13/6675; H01M 2/1022; H01M 2/1055;
H01M 10/44; H01M 10/46; H01M 10/425;
B60L 11/182
See application file for complete search history.

FIG. 1 is a front view of a first embodiment of a multifunction electronic battery charger;
 FIG. 2 is a back view of a first embodiment of a multifunction electronic battery charger;
 FIG. 3 is a right view of a first embodiment of a multifunction electronic battery charger;
 FIG. 4 is a left view of a first embodiment of a multifunction electronic battery charger;
 FIG. 5 is a top view of a first embodiment of a multifunction electronic battery charger;
 FIG. 6 is a bottom view of a first embodiment of a multifunction electronic battery charger;
 FIG. 7 is a perspective view of a first embodiment of a multifunction electronic battery charger;
 FIG. 8 is a front view of a second embodiment of a multifunction electronic battery charger;
 FIG. 9 is a back view of a second embodiment of a multifunction electronic battery charger;
 FIG. 10 is a right view of a second embodiment of a multifunction electronic battery charger;
 FIG. 11 is a left view of a second embodiment of a multifunction electronic battery charger;
 FIG. 12 is a top view of a second embodiment of a multifunction electronic battery charger;
 FIG. 13 is a bottom view of a second embodiment of a multifunction electronic battery charger;
 FIG. 14 is a perspective view of a second embodiment of a multifunction electronic battery charger;
 FIG. 15 is a front view of a third embodiment of a multifunction electronic battery charger;
 FIG. 16 is a back view of a third embodiment of a multifunction electronic battery charger;
 FIG. 17 is a right view of a third embodiment of a multifunction electronic battery charger;
 FIG. 18 is a left view of a third embodiment of a multifunction electronic battery charger;
 FIG. 19 is a top view of a third embodiment of a multifunction electronic battery charger;
 FIG. 20 is a bottom view of a third embodiment of a multifunction electronic battery charger; and,
 FIG. 21 is a perspective view of a third embodiment of a multifunction electronic battery charger.
 The broken lines shown in the drawings are included for the purpose of illustrating environmental structure and form no part of the claimed design.

(56) **References Cited**

U.S. PATENT DOCUMENTS

- D423,452 S * 4/2000 Fujisawa et al. D13/110
- D433,993 S * 11/2000 Tang D13/110

(Continued)

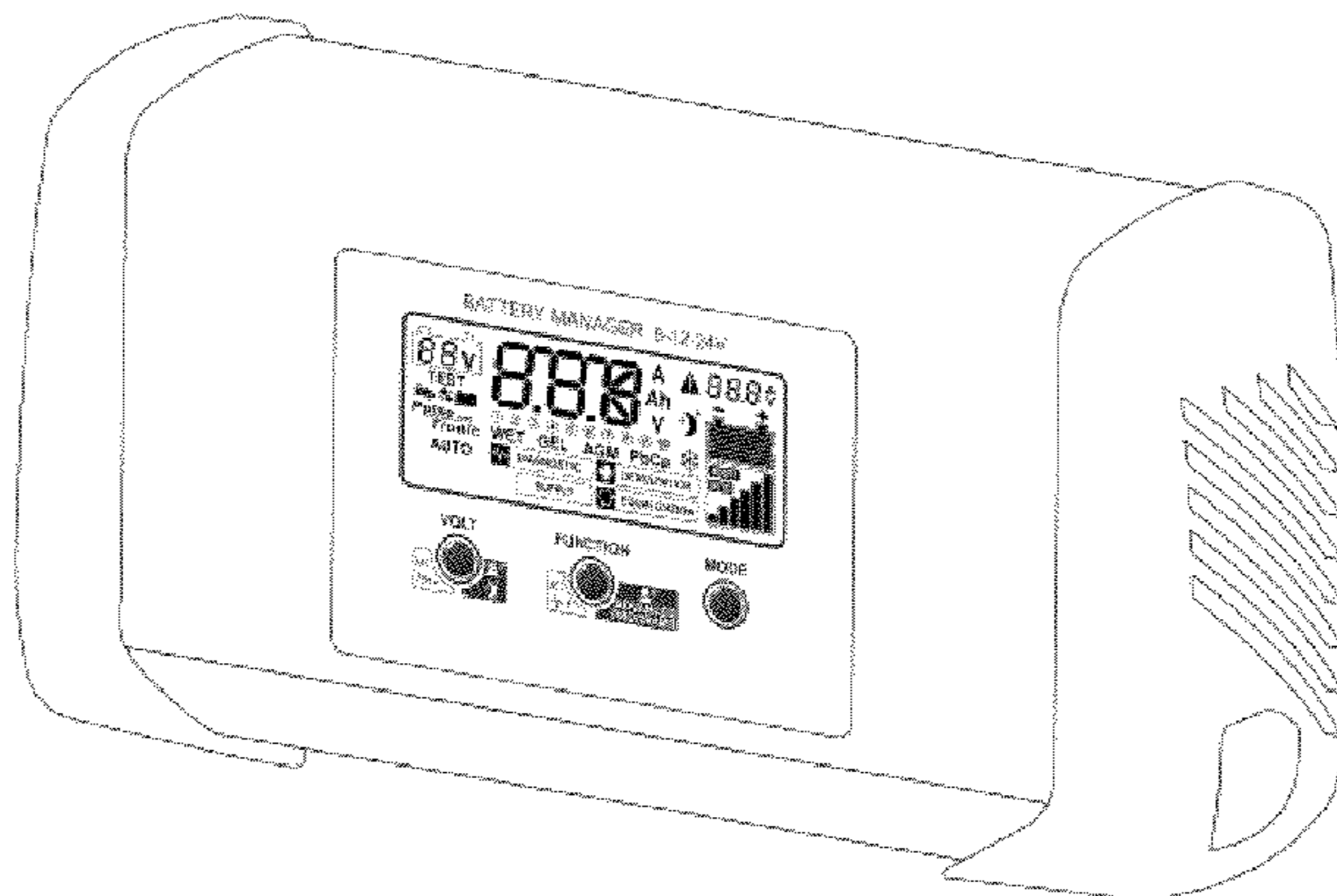
Primary Examiner — Rosemary K Tarcza

(74) *Attorney, Agent, or Firm* — Steptoe & Johnson LLP

(57) **CLAIM**

The ornamental design for a multifunction electronic battery charger, as shown and described.

1 Claim, 21 Drawing Sheets



US D733,646 S

Page 2

(56)

References Cited

U.S. PATENT DOCUMENTS

| | | | | | | | |
|--------------|--------|---------------|---------|--------------|--------|------------------|---------|
| D617,267 S * | 6/2010 | Li | D13/107 | D664,501 S * | 7/2012 | Inskeep | D13/107 |
| D654,854 S * | 2/2012 | Inskeep | D13/107 | D676,808 S * | 2/2013 | Zhou | D13/108 |
| D654,856 S * | 2/2012 | Inskeep | D13/107 | D677,224 S * | 3/2013 | Chen et al. | D13/110 |

* cited by examiner

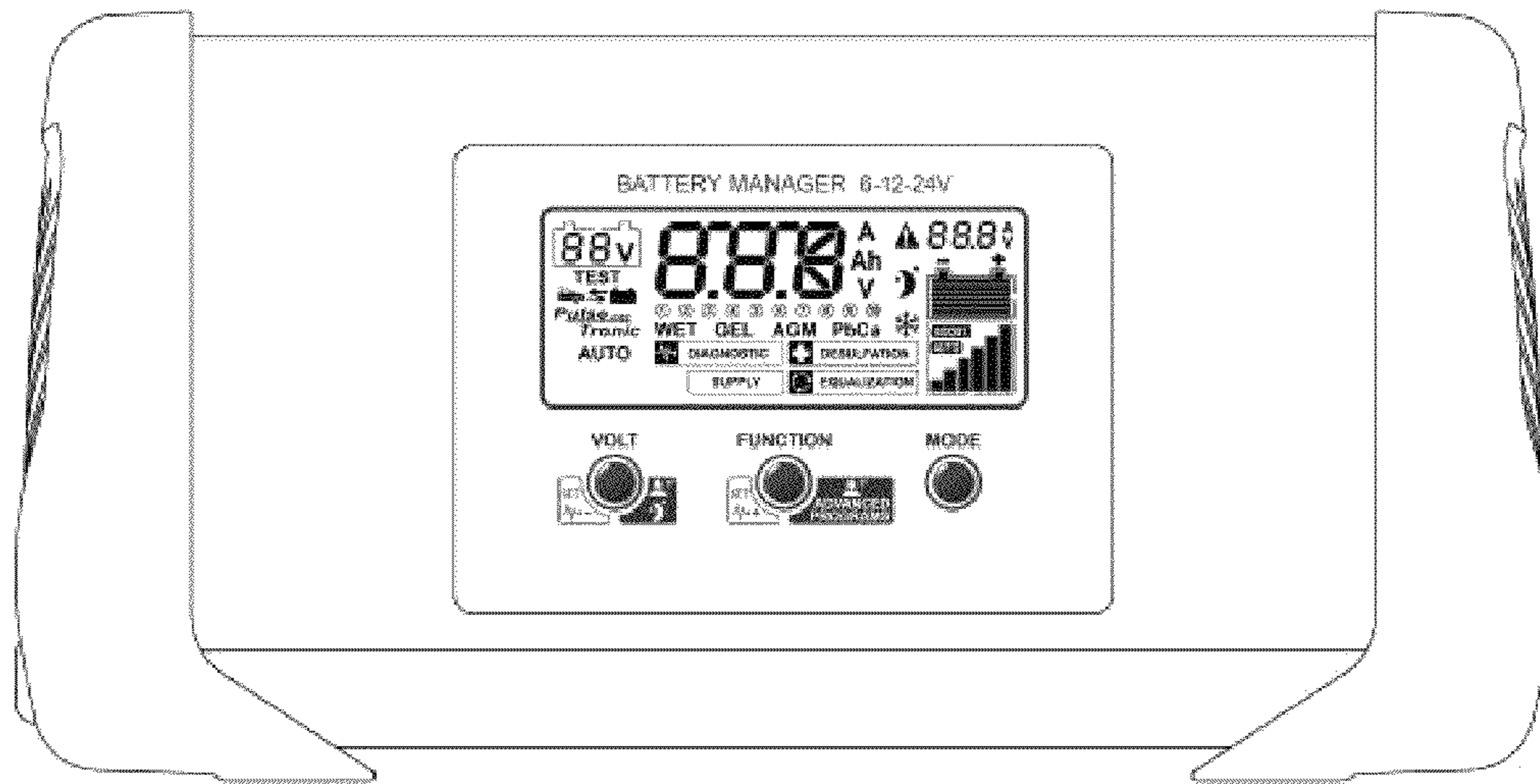


FIG. 1

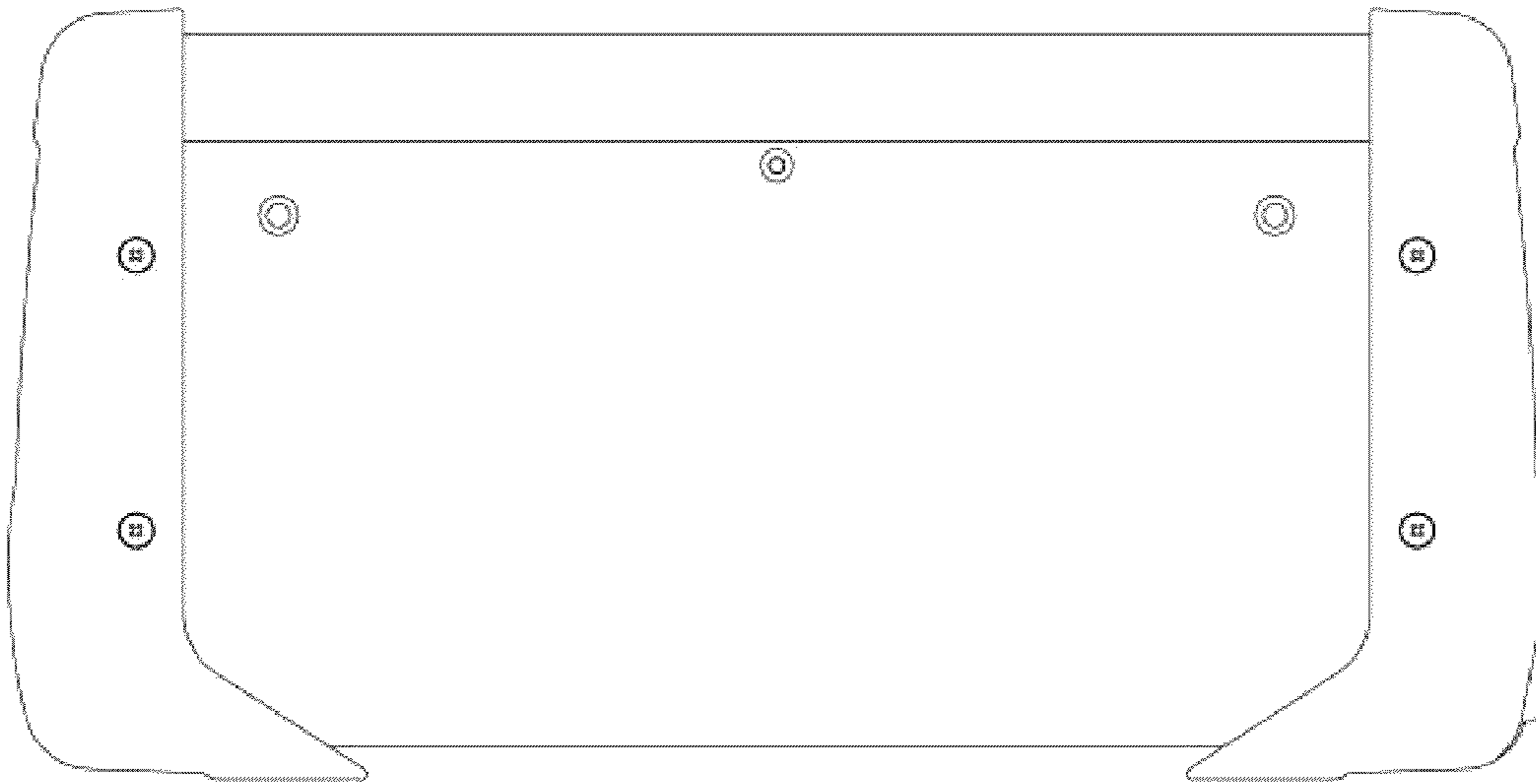


FIG. 2

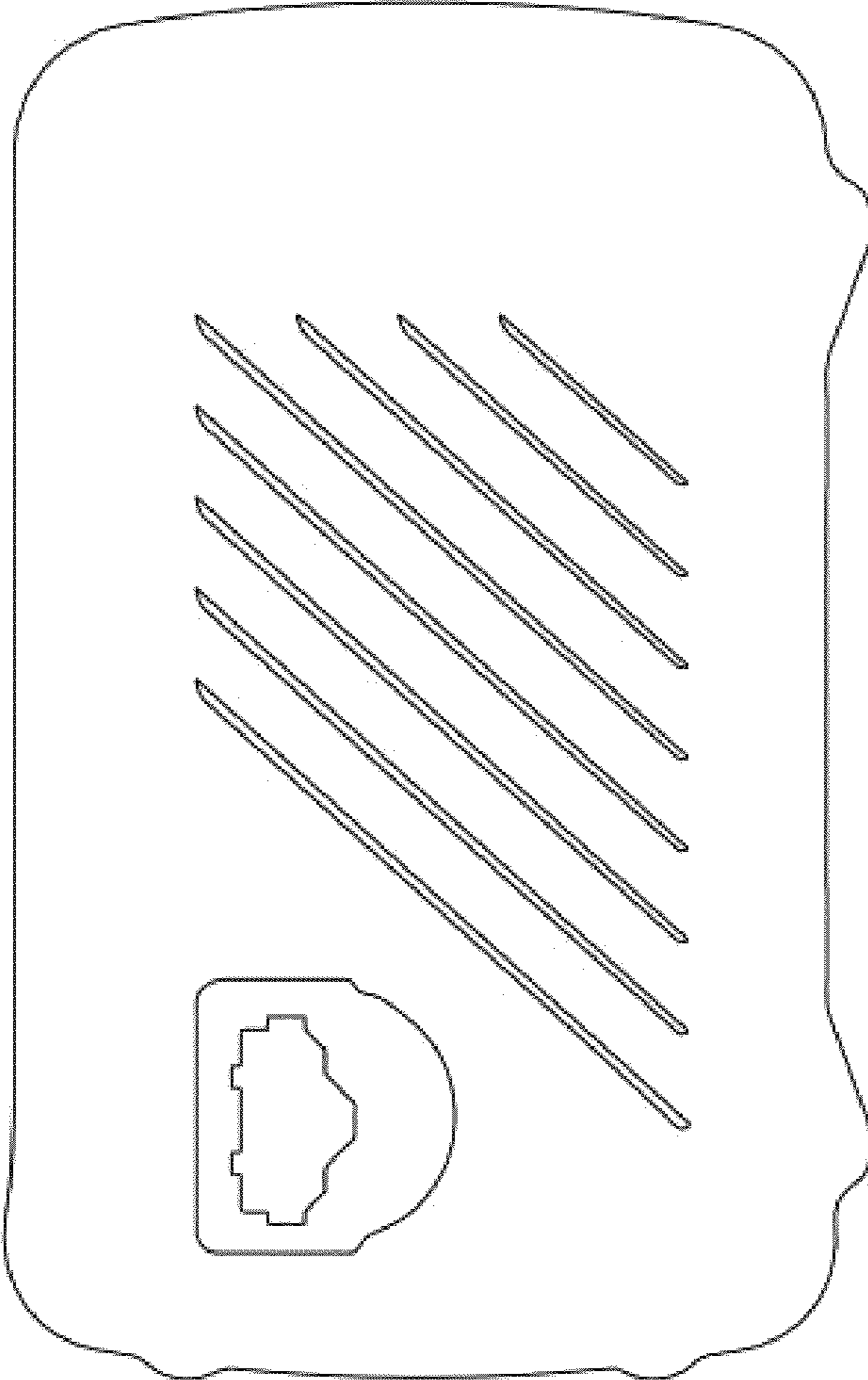


FIG. 3

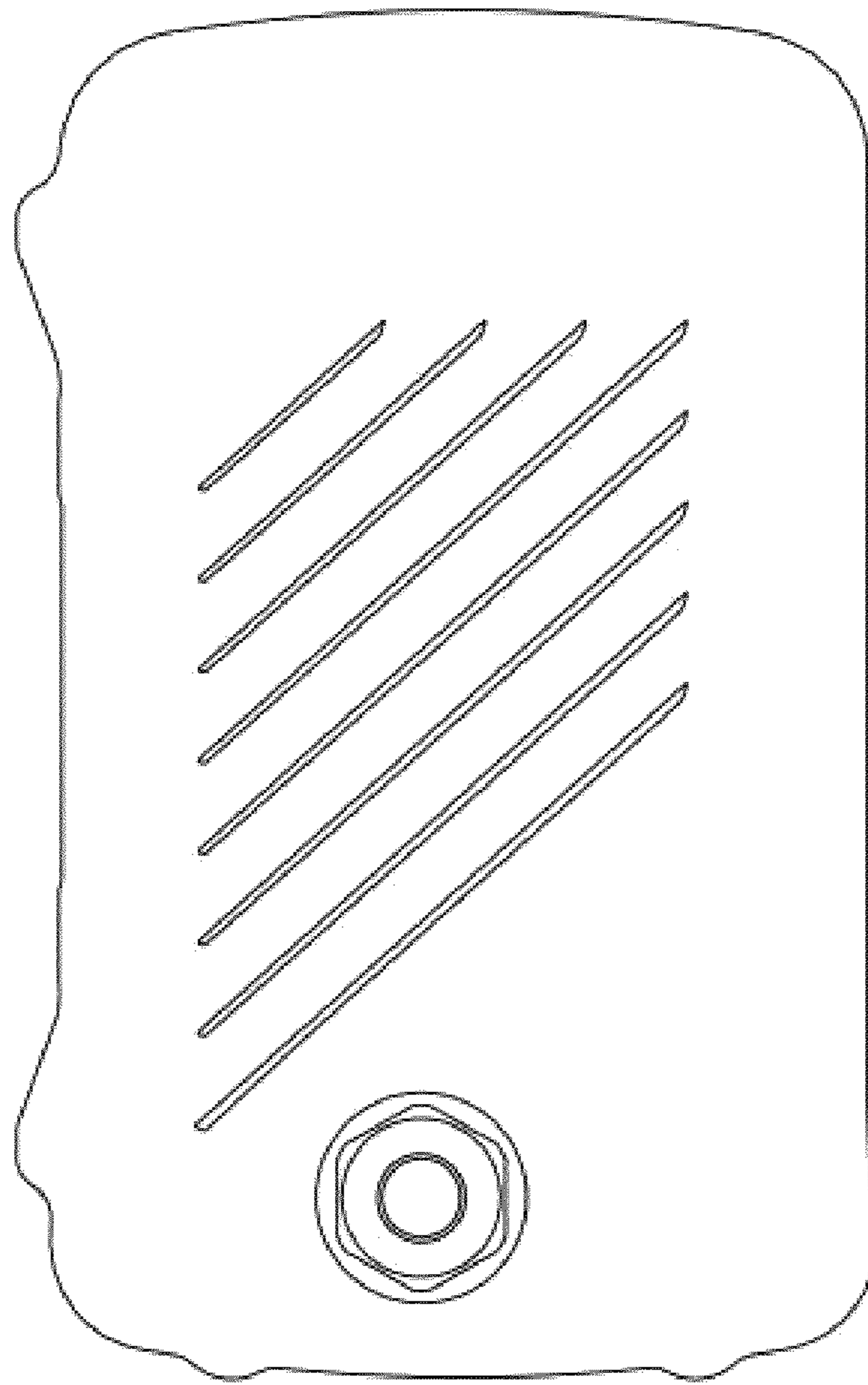


FIG. 4

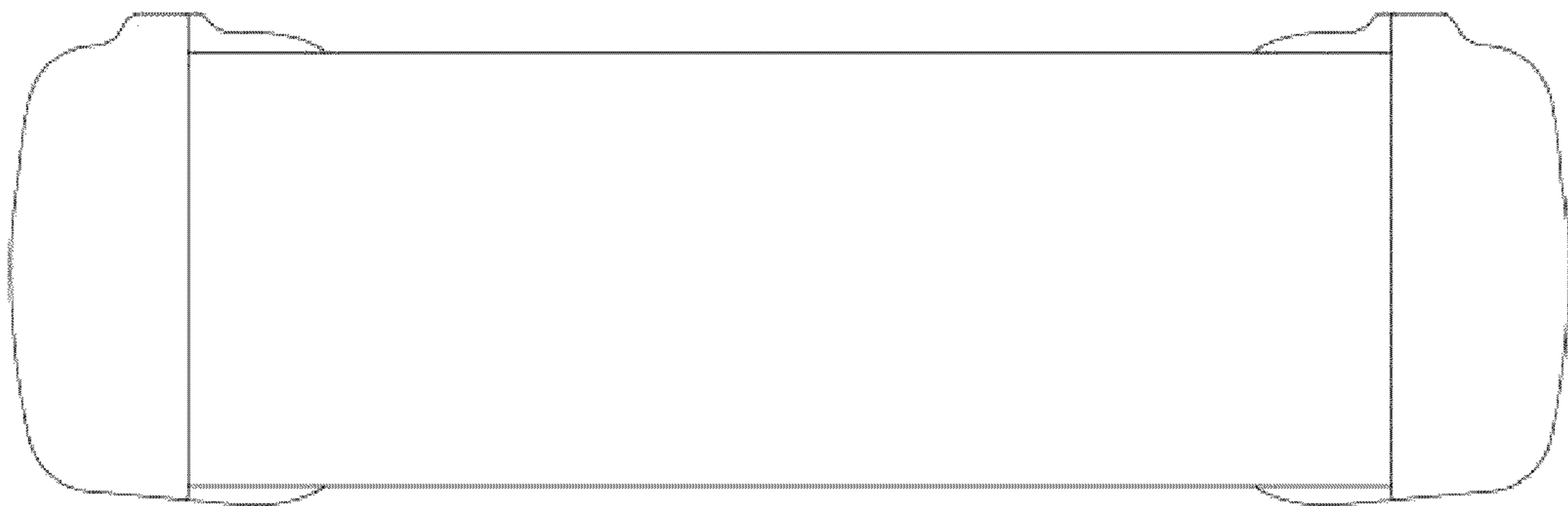


FIG. 5

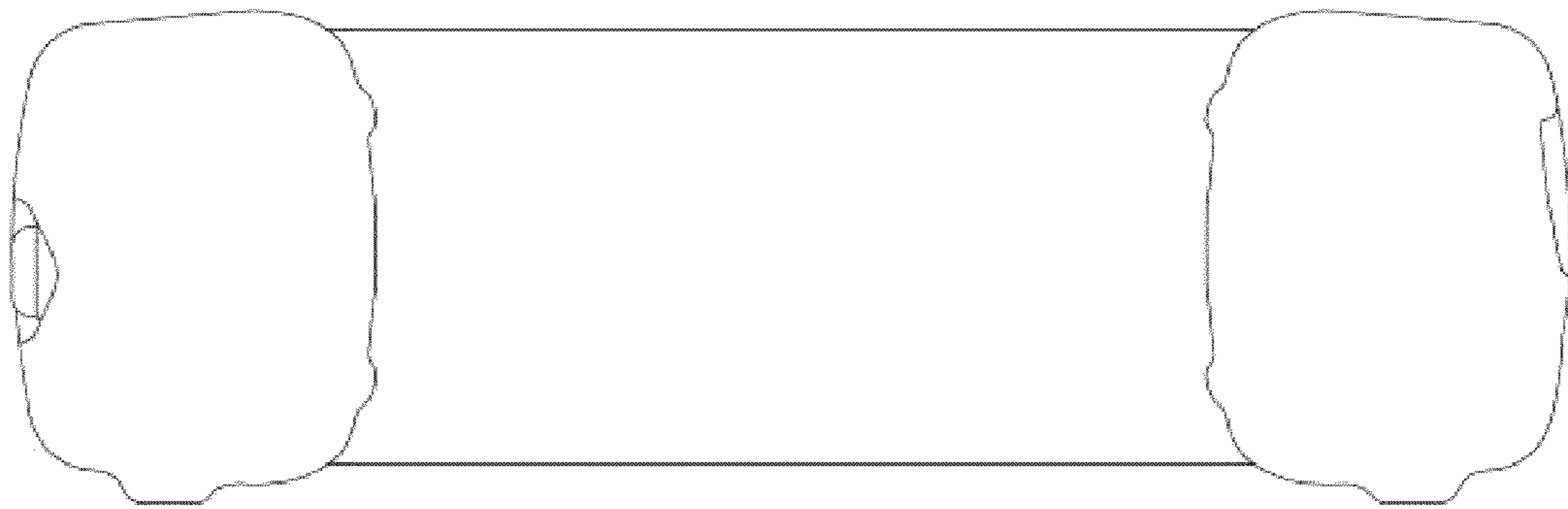


FIG. 6

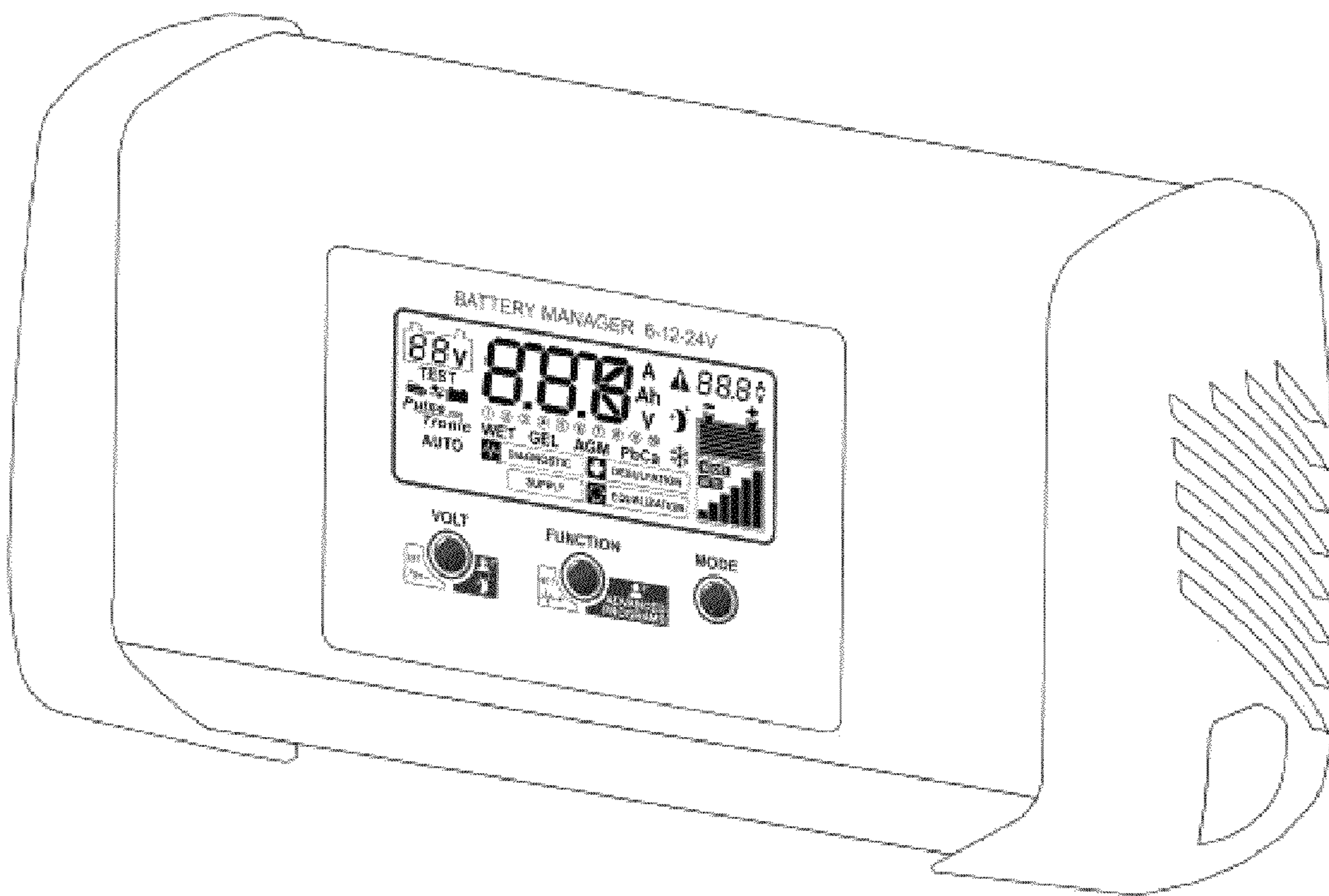


FIG. 7

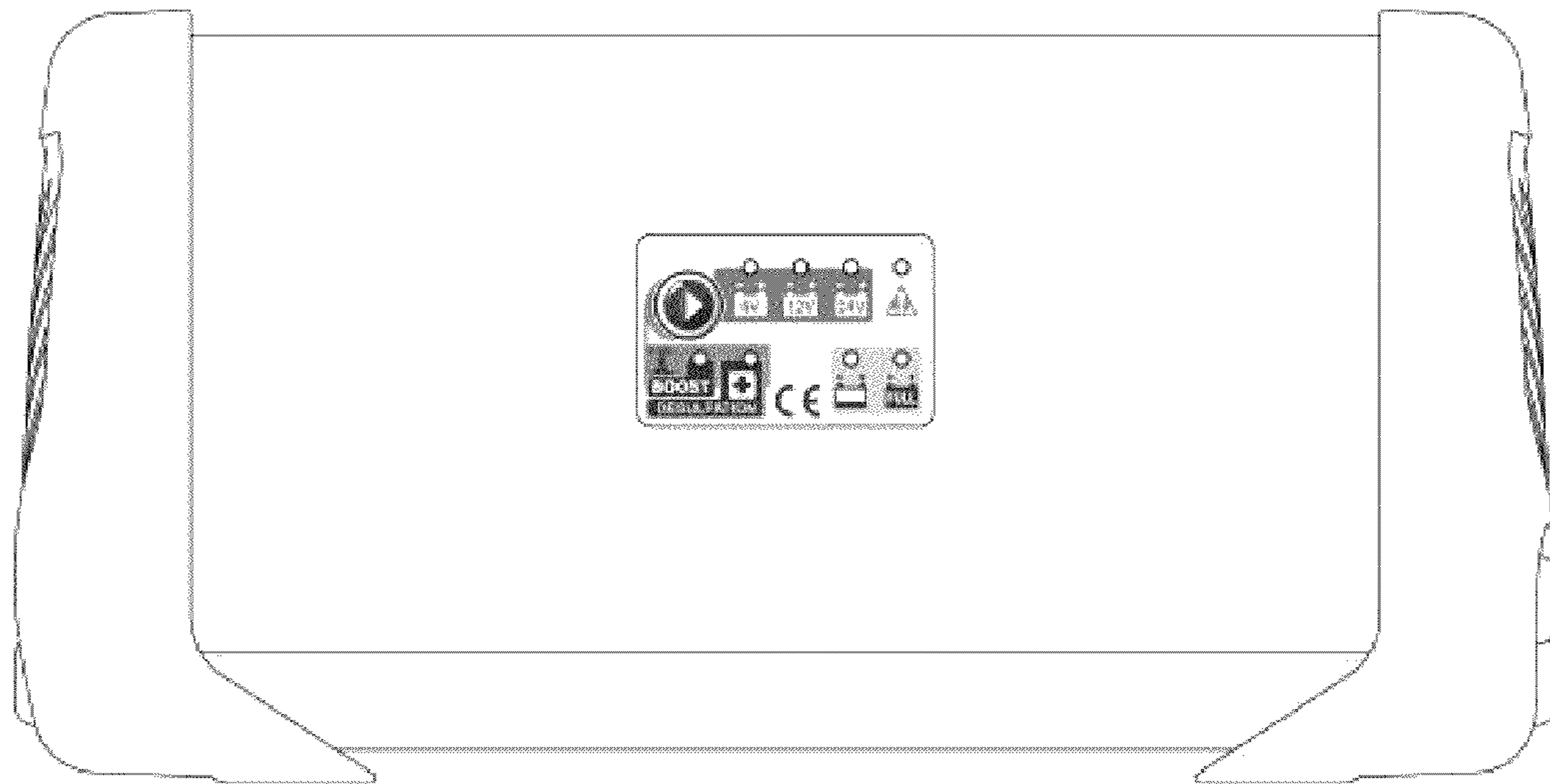


FIG. 8

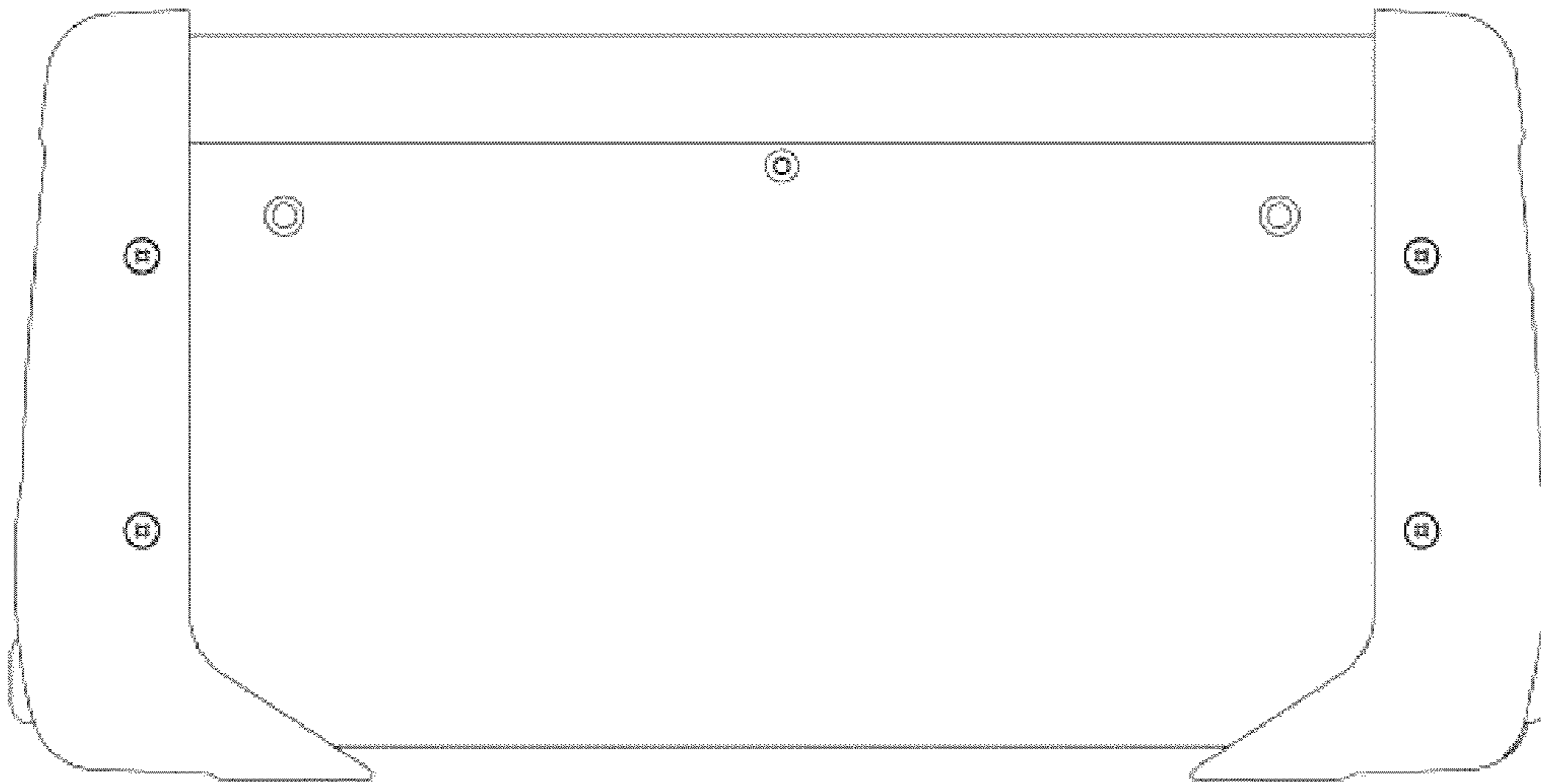


FIG. 9

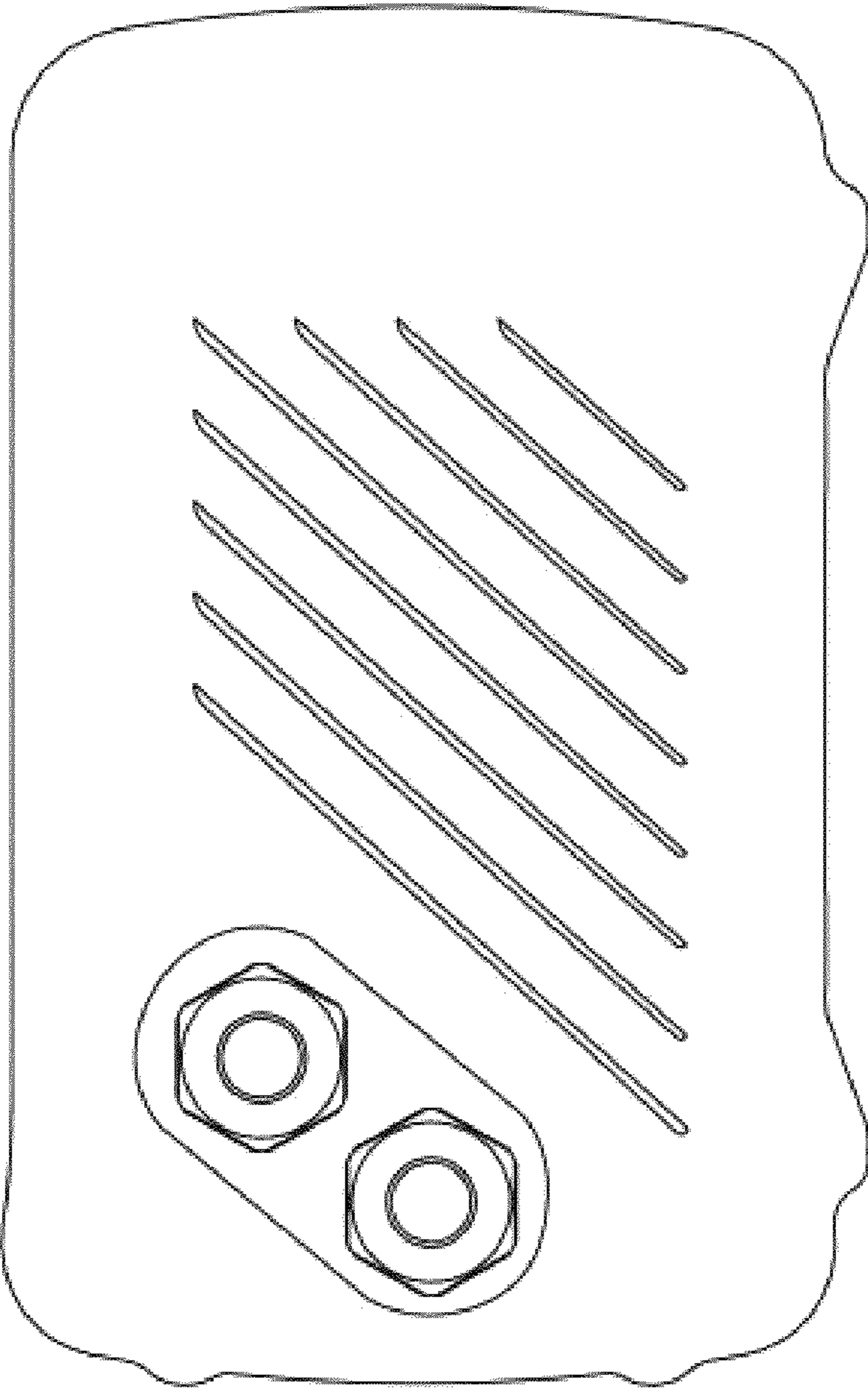


FIG. 10

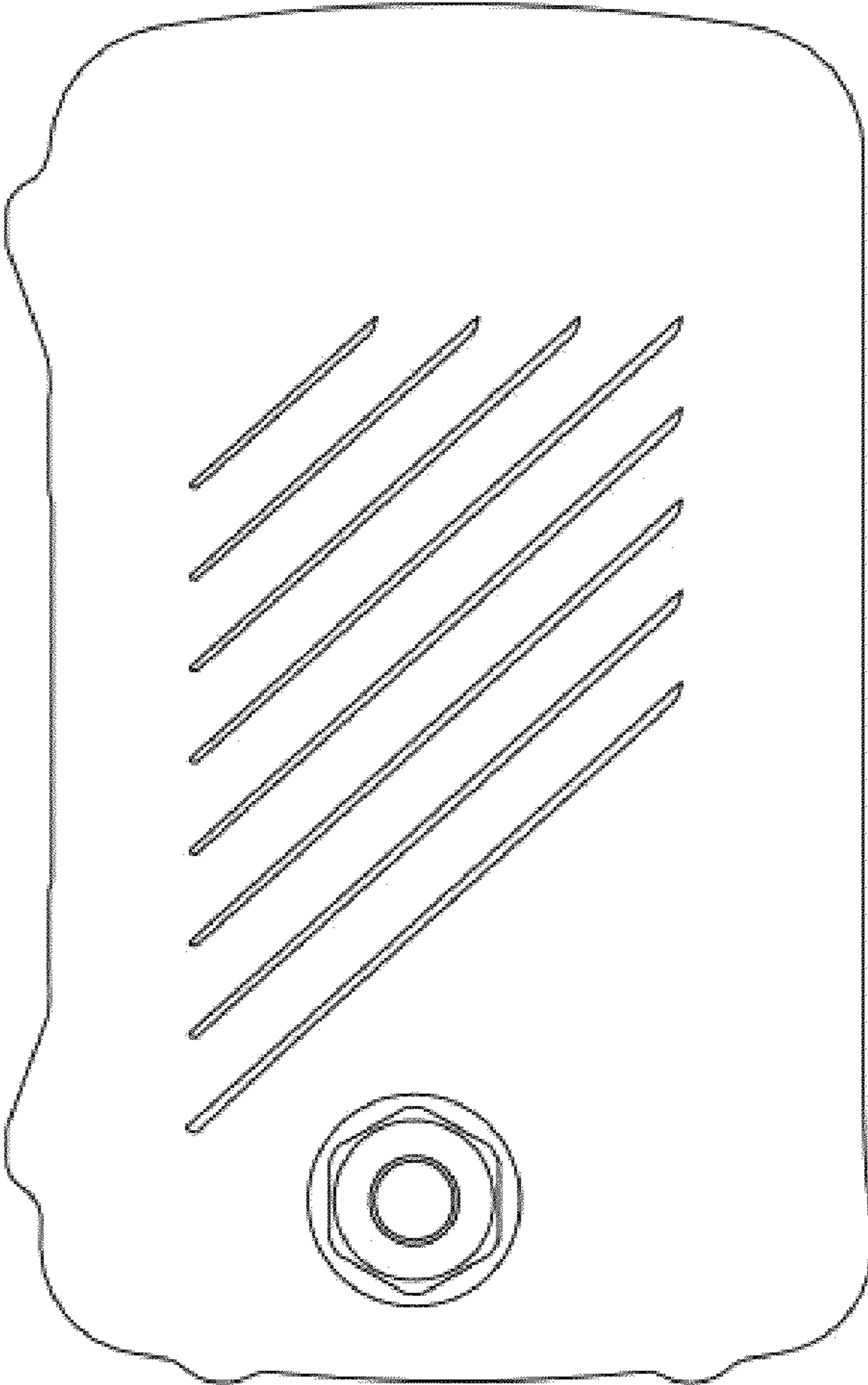


FIG. 11

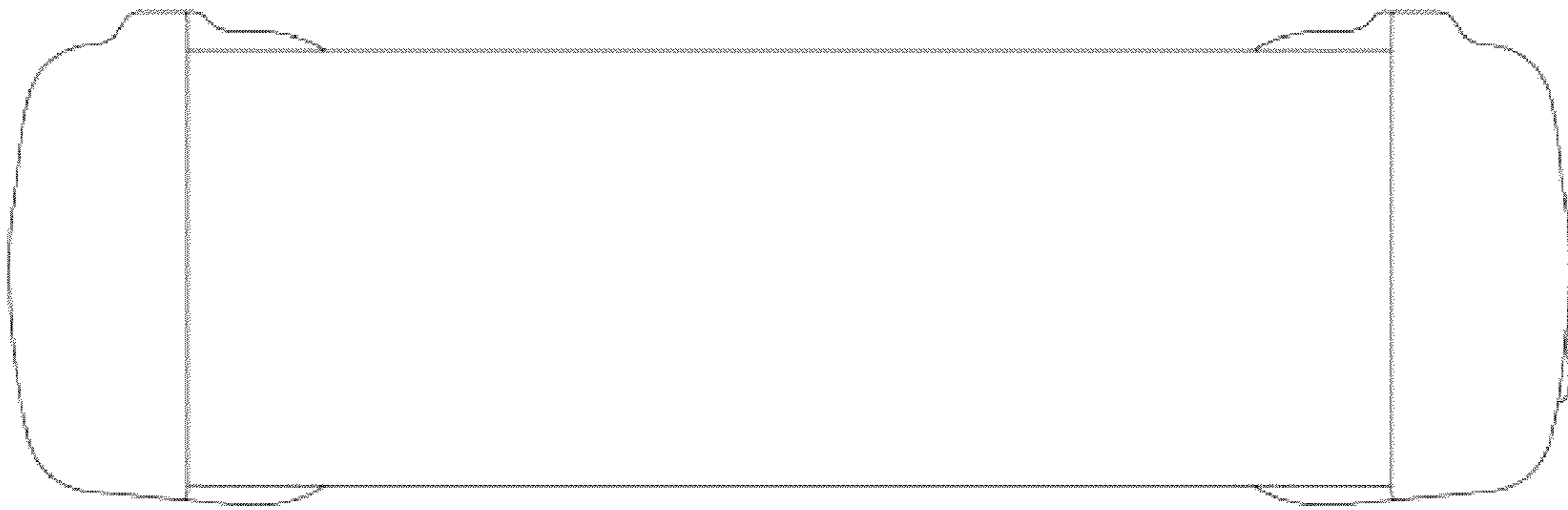


FIG. 12



FIG. 13

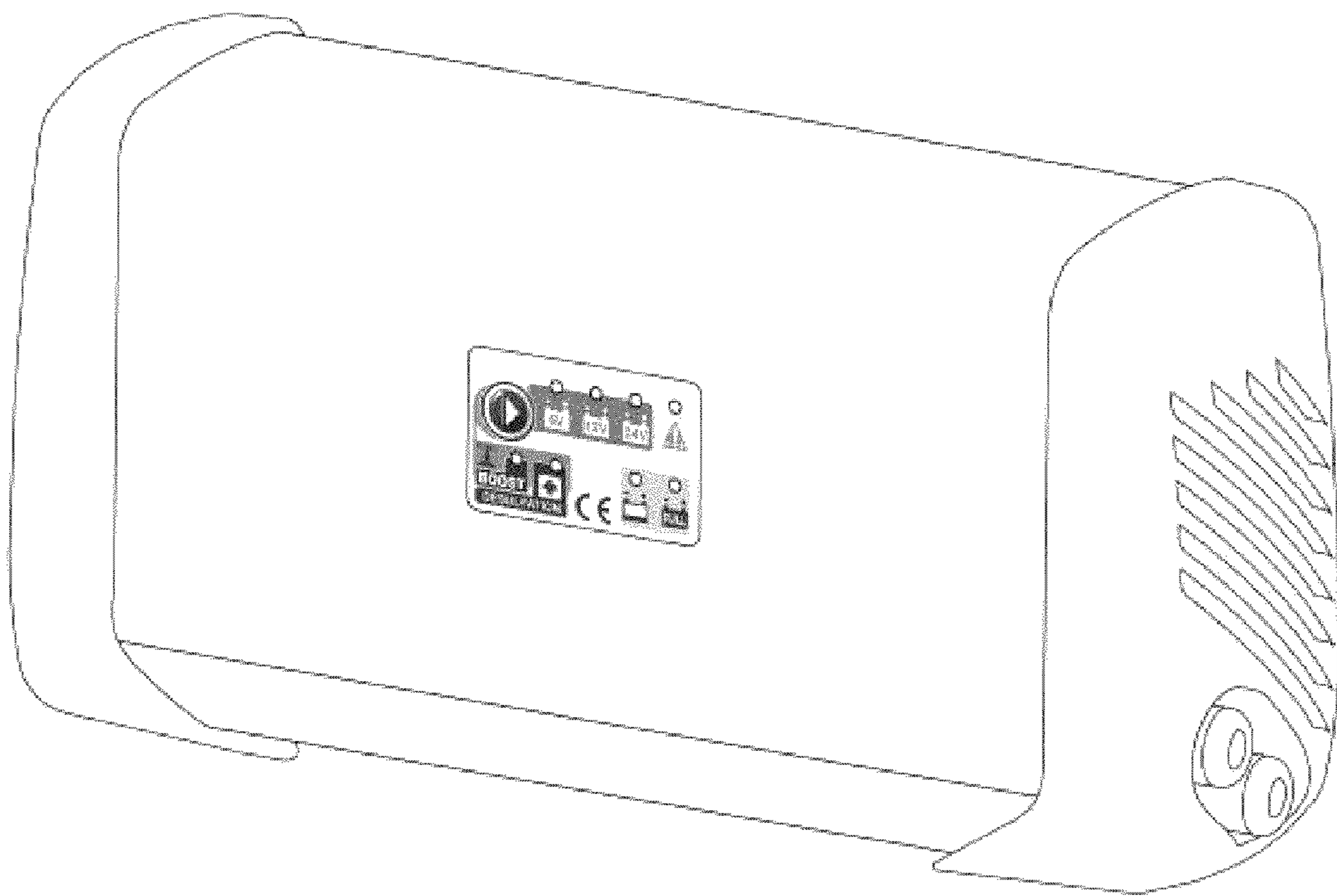


FIG. 14

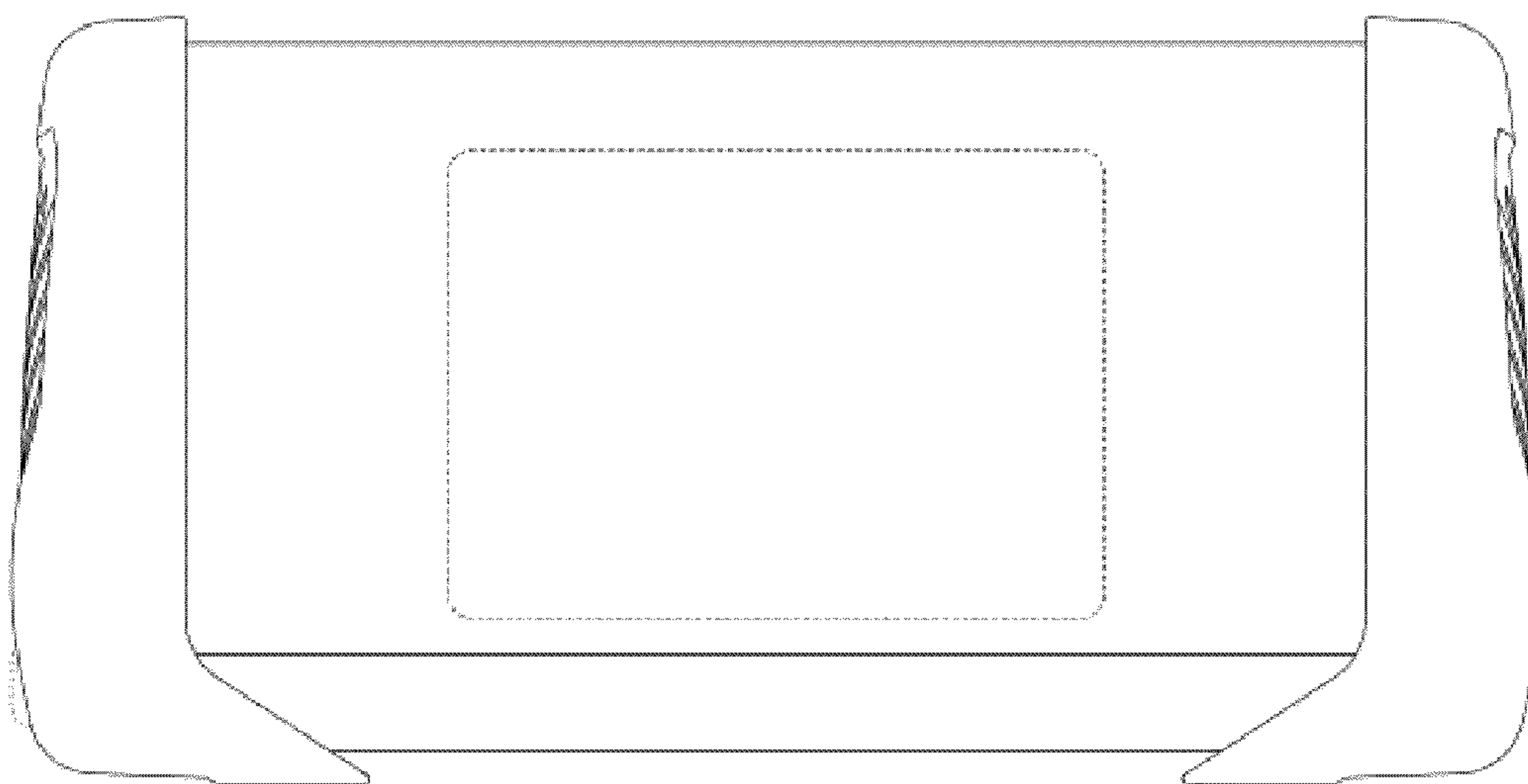


FIG. 15

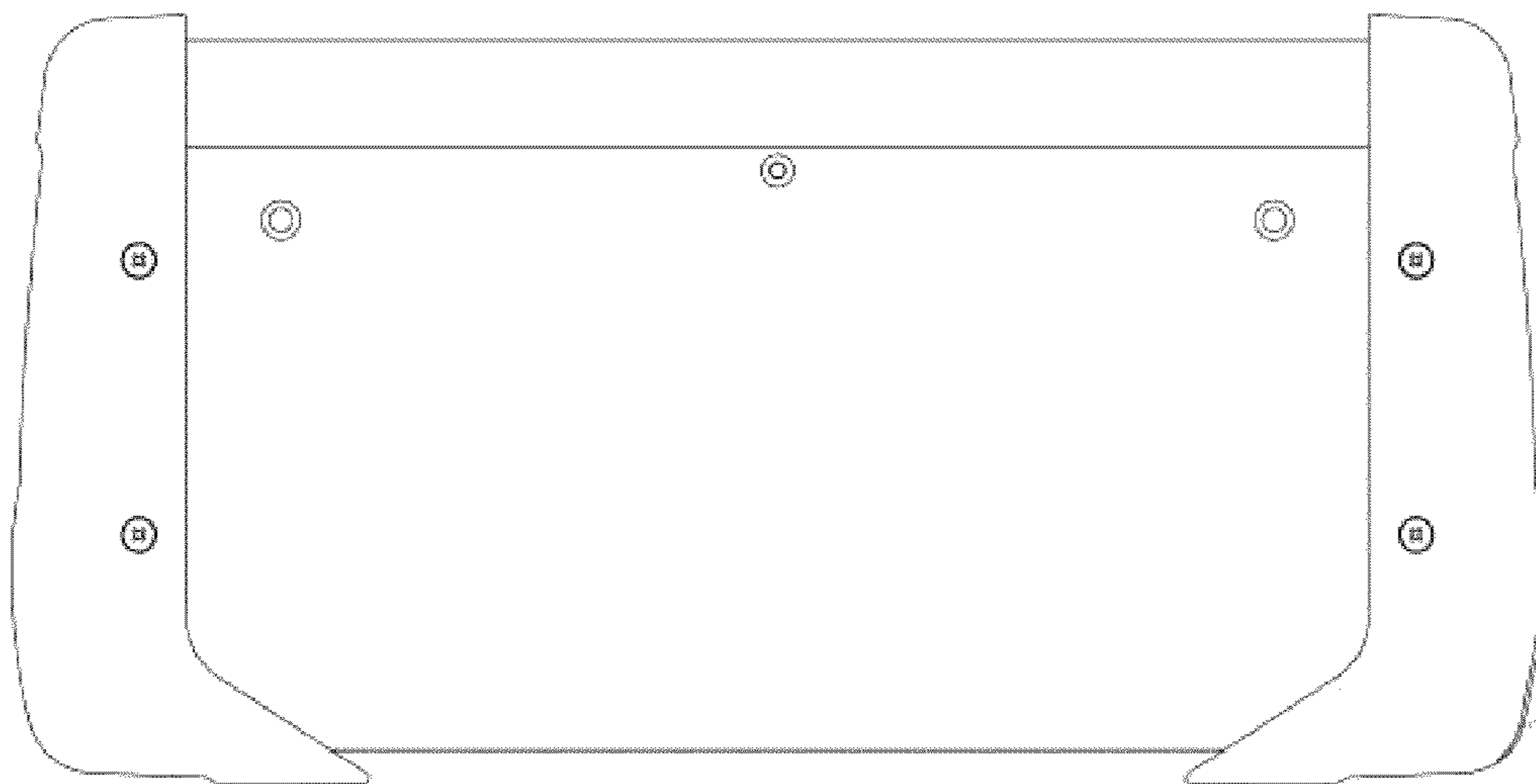


FIG. 16

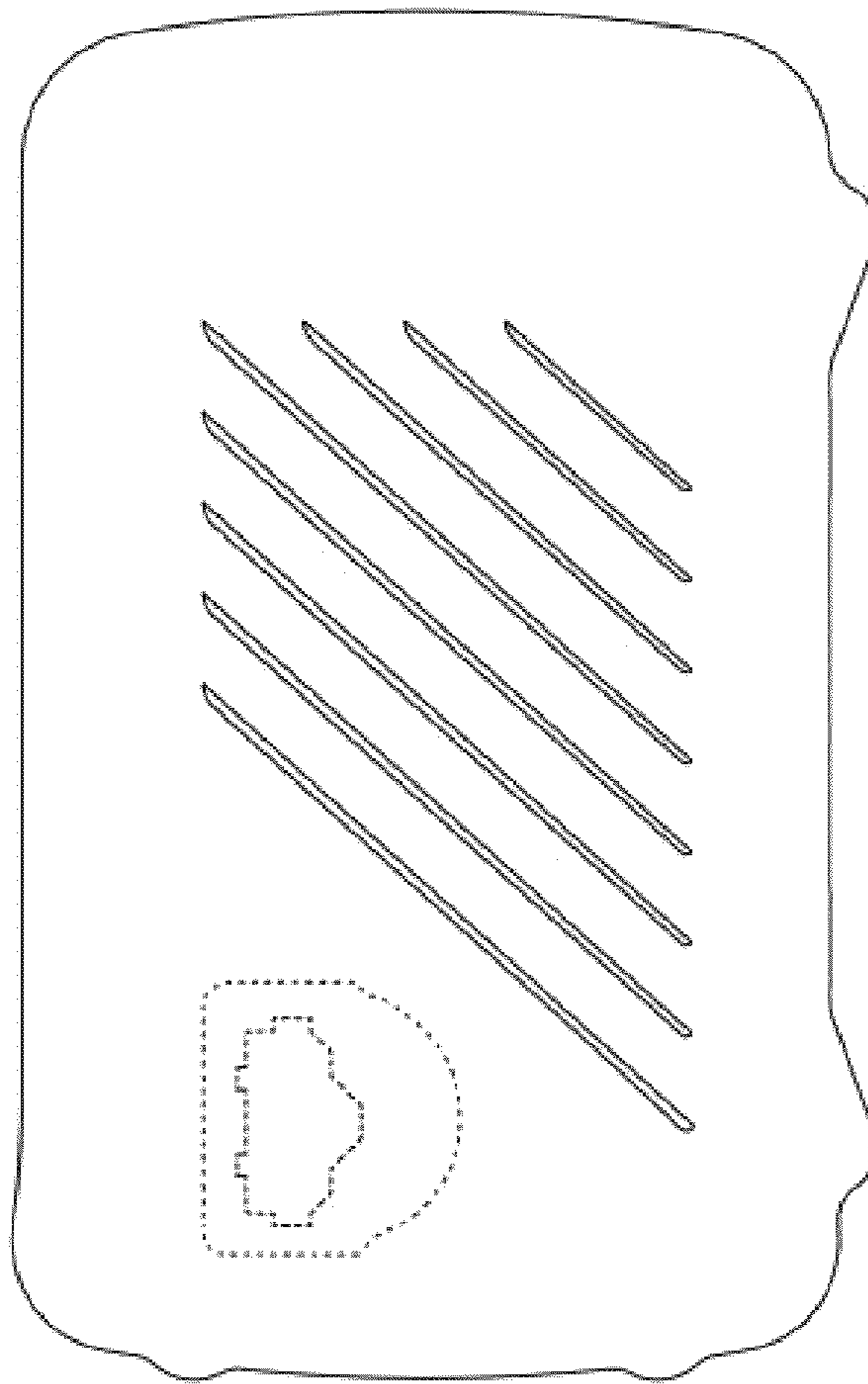


FIG. 17

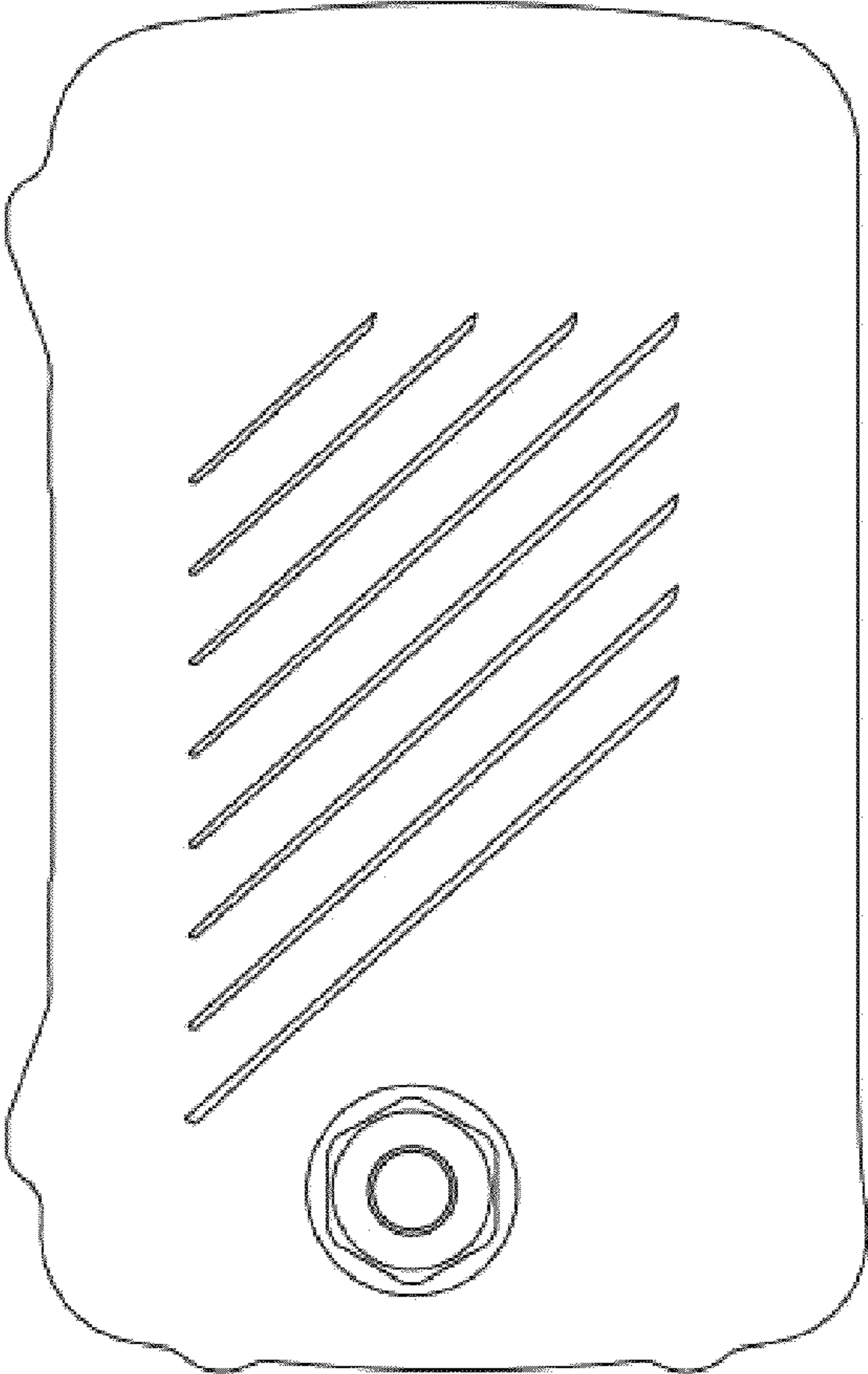


FIG. 18



FIG. 19

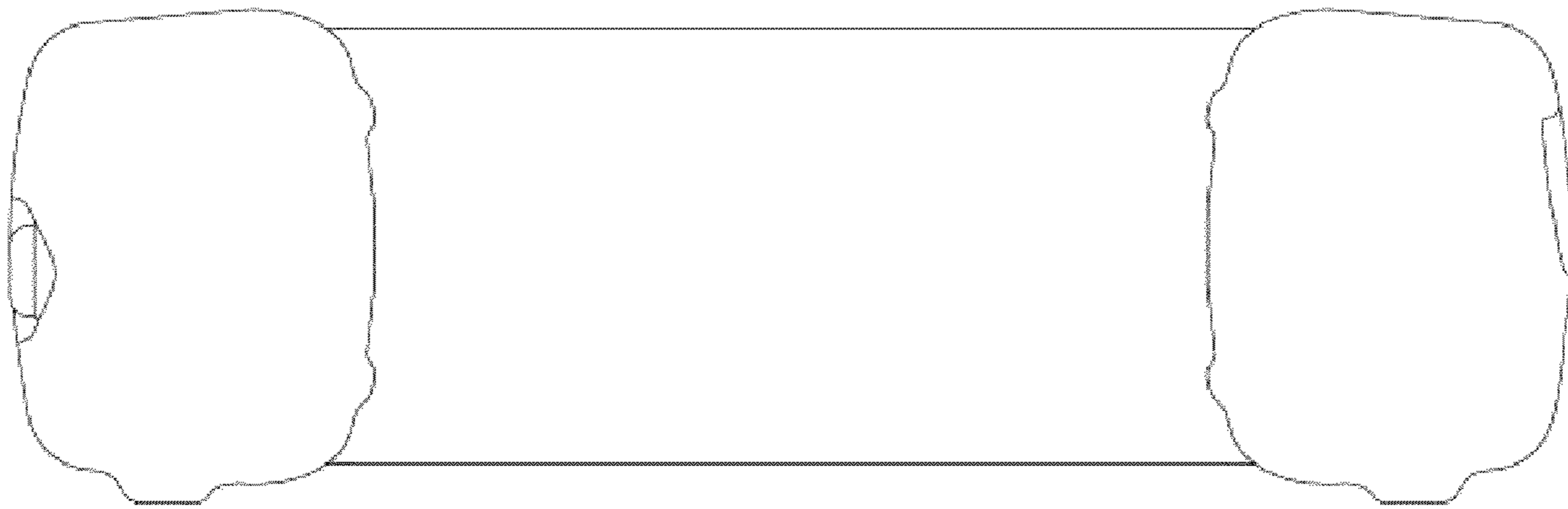


FIG. 20

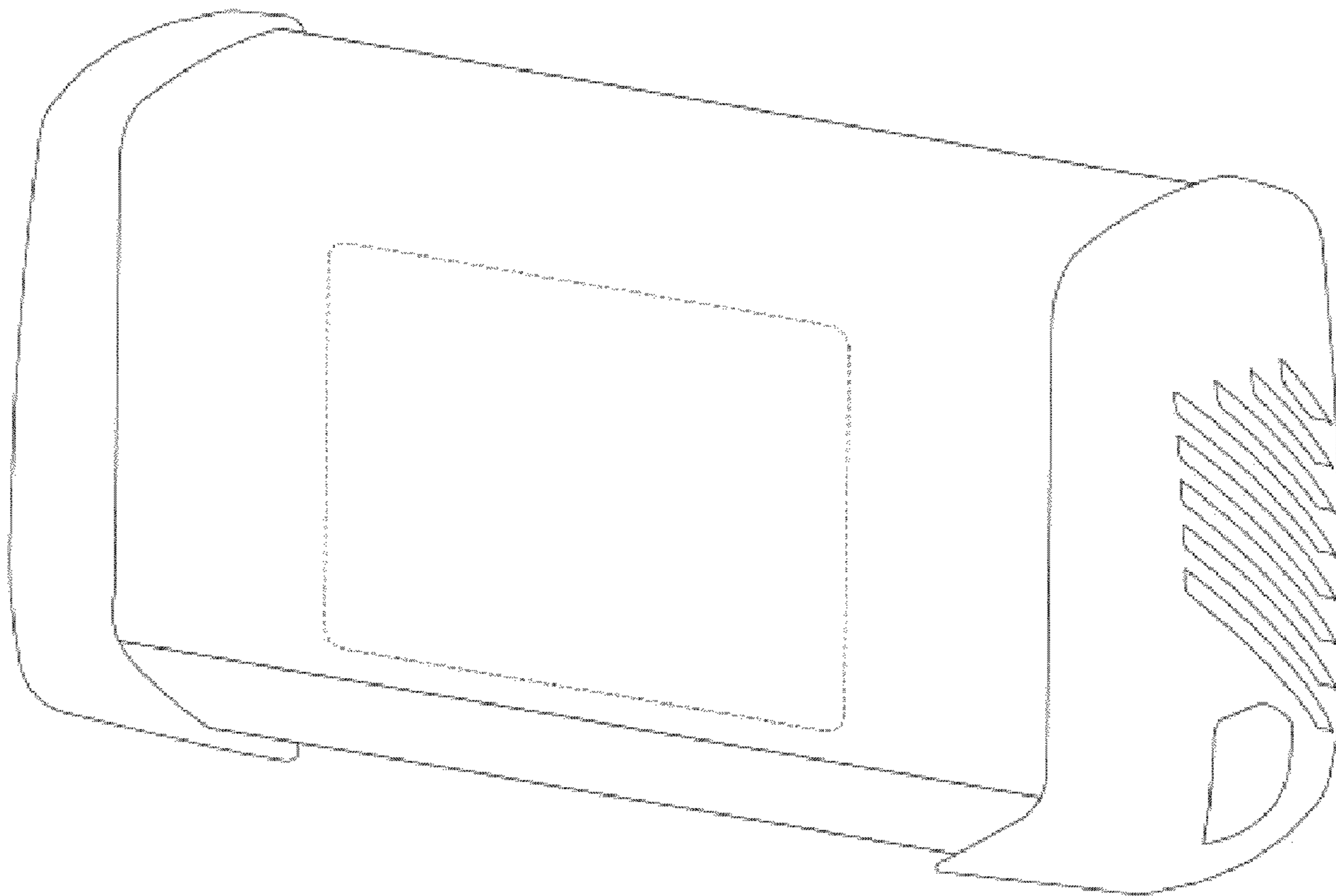


FIG. 21