

US00D733645S

(12) **United States Design Patent**
Cai et al.

(10) **Patent No.:** **US D733,645 S**
(45) **Date of Patent:** **** Jul. 7, 2015**

(54) **CORNER CONNECTOR FOR A PHOTOVOLTAIC MODULE FRAME**

(71) Applicant: **Dow Global Technologies LLC**,
Midland, MI (US)

(72) Inventors: **Jie Cai**, Shanghai (CN); **YongJin Guo**,
Shanghai (CN); **YanLi Huo**, Shanghai
(CN); **Shaofu Wu**, Sugar Land, TX
(US); **Wenbin Yao**, Shanghai (CN)

(73) Assignee: **Dow Global Technologies LLC**,
Midland, MI (US)

(**) Term: **14 Years**

(21) Appl. No.: **29/476,869**

(22) Filed: **Dec. 18, 2013**

(30) **Foreign Application Priority Data**

Jun. 28, 2013 (CN) 2013 3 0292191

(51) **LOC (10) Cl.** **13-02**

(52) **U.S. Cl.**
USPC **D13/102**

(58) **Field of Classification Search**
USPC D13/101, 10, 118, 154, 155, 184;
D8/349, 354-356; D25/119, 123-125;
D21/484, 493, 499; 403/169; 52/173.3,
52/460; 136/206, 244-251, 256, 291
CPC F24J 2/464; F24J 2/521; F24J 2/523;
H02S 30/10; H01L 23/13; H01L 31/04
See application file for complete search history.

(56) **References Cited**

U.S. PATENT DOCUMENTS

3,049,260 A 8/1962 Stone
D234,519 S * 3/1975 Rynk D13/156
4,204,523 A 5/1980 Rothe
D270,660 S 9/1983 Ort

5,071,491 A 12/1991 Stein et al.
5,272,236 A 12/1993 Lai et al.
5,278,272 A 1/1994 Lai et al.
5,344,496 A 9/1994 Stern et al.
5,571,338 A 11/1996 Kadonome et al.
5,685,151 A 11/1997 Ross
D391,921 S 3/1998 Zimmer et al.
5,986,028 A 11/1999 Lai et al.
6,034,320 A 3/2000 Malcherczyk et al.
6,105,316 A 8/2000 Bottger et al.
6,172,295 B1 1/2001 Hattori et al.
6,283,542 B1 9/2001 Pätz
6,653,553 B2 11/2003 Reimer
6,672,018 B2 1/2004 Shingleton
D547,262 S 7/2007 Ullman
D562,225 S 2/2008 Almy et al.

(Continued)

FOREIGN PATENT DOCUMENTS

CA 2738960 A1 12/2011
CN 201252106 Y 6/2009

(Continued)

Primary Examiner — Thomas Johannes

Assistant Examiner — Shawn T Gingrich

(74) *Attorney, Agent, or Firm* — Whyte Hirschboeck Dudek
S.C.

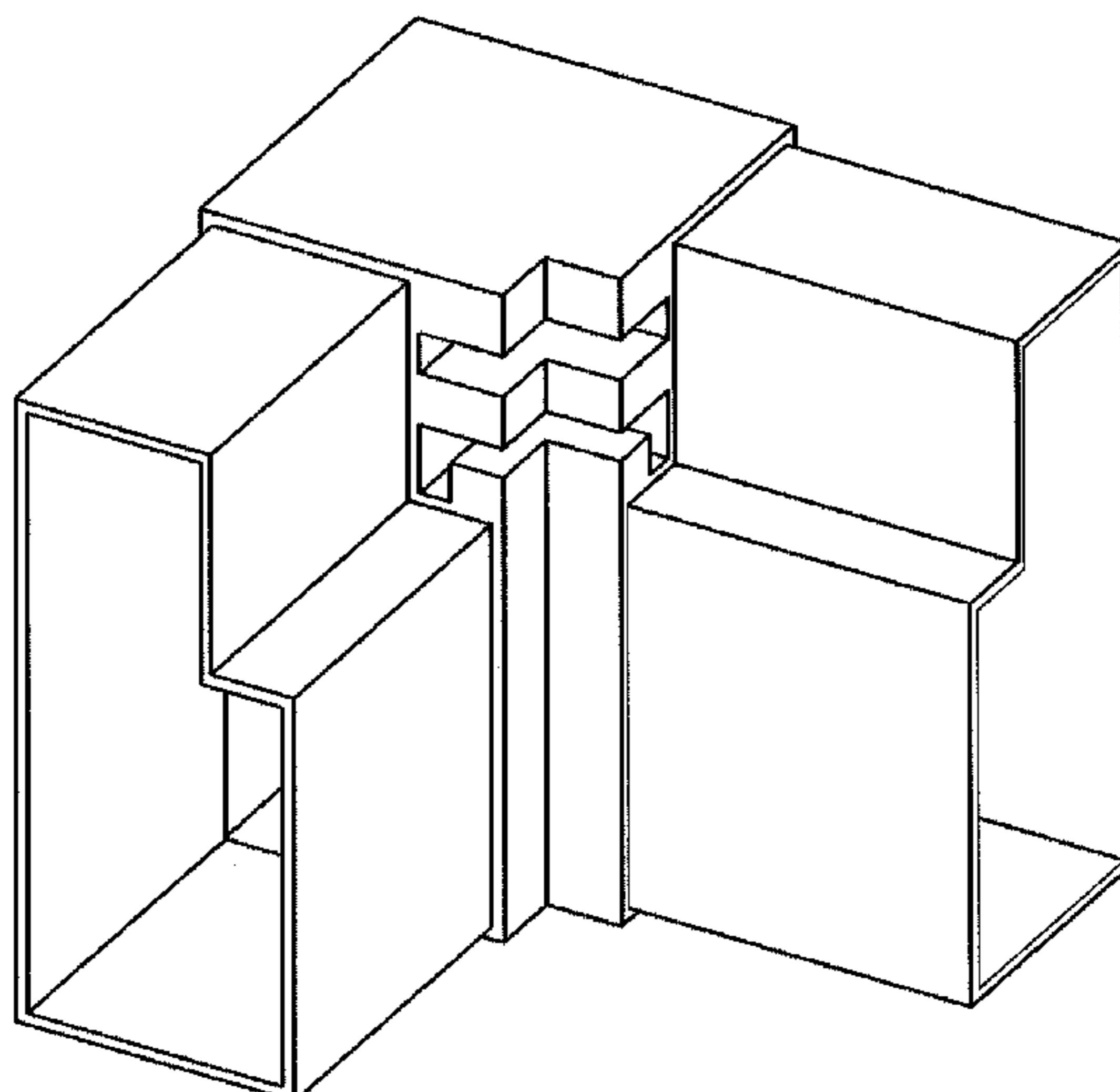
(57) **CLAIM**

The ornamental design for corner connector for a photovoltaic module frame, as shown and described.

DESCRIPTION

FIG. 1 is a perspective view of a corner connector for a photovoltaic module frame showing our new design; FIG. 2 is a top plan view thereof; FIG. 3 is a front elevation view thereof; FIG. 4 is a rear elevation view thereof; FIG. 5 is a right side elevation view thereof; FIG. 6 is a left side elevation view thereof; and, FIG. 7 is a bottom plan view thereof.

1 Claim, 3 Drawing Sheets



(56)

References Cited

U.S. PATENT DOCUMENTS

D565,505 S 4/2008 Shugar et al.
 7,435,134 B2 10/2008 Lenox
 7,487,771 B1 2/2009 Eiffert et al.
 7,506,477 B2 3/2009 Flaherty et al.
 7,642,449 B2 1/2010 Korman et al.
 D652,789 S 1/2012 Kawai et al.
 D658,120 S 4/2012 Kawai et al.
 D669,035 S * 10/2012 Ruddick D13/155
 D673,903 S 1/2013 Kobayashi
 D683,318 S * 5/2013 Ruddick D13/155
 D686,978 S 7/2013 Nicholson et al.
 D710,793 S * 8/2014 Cai et al. D13/102
 2005/0284467 A1 12/2005 Patterson
 2006/0042680 A1 3/2006 Korman et al.
 2008/0041442 A1 2/2008 Hanoku
 2008/0149168 A1 6/2008 Flaherty et al.
 2008/0302928 A1 12/2008 Haddock
 2009/0205704 A1 8/2009 Flaherty et al.
 2009/0281215 A1 11/2009 Kaul
 2009/0283136 A1 11/2009 Munch et al.
 2009/0320907 A1 12/2009 Botkin
 2010/0127142 A1 5/2010 Genschorek
 2010/0193029 A1 8/2010 Murphy et al.
 2010/0269891 A1 10/2010 Kinard et al.
 2011/0000524 A1 1/2011 Busch et al.
 2011/0048584 A1 3/2011 Katsura et al.
 2011/0067754 A1 3/2011 Luch

2011/0070768 A1 3/2011 Zantout
 2011/0091707 A1 4/2011 Jousset et al.
 2011/0100436 A1 5/2011 Cleereman et al.
 2011/0100438 A1 5/2011 Gaston et al.
 2011/0108083 A1 5/2011 Ravestein et al.
 2011/0194886 A1* 8/2011 Wu et al. 403/23
 2011/0259404 A1* 10/2011 Jang 136/251
 2012/0187058 A1 7/2012 Almy
 2012/0298817 A1 11/2012 West et al.
 2013/0087519 A1* 4/2013 Sung 211/41.1
 2014/0048497 A1* 2/2014 Hong et al. 211/41.1
 2014/0238489 A1* 8/2014 Buettner et al. 136/259
 2014/0352763 A1* 12/2014 Chen et al. 136/251

FOREIGN PATENT DOCUMENTS

CN 101826577 A 9/2010
 CN 201689892 U 12/2010
 CN 102496640 A 6/2012
 DE 202004019681 U1 3/2005
 EP 2040014 A3 3/2009
 EP 1742274 B1 9/2010
 EP 2360741 A2 8/2011
 JP 2007224538 A 9/2007
 WO 2006121559 A2 11/2006
 WO 2009/016129 A1 2/2009
 WO 2010/019742 A2 2/2010
 WO 2010/019754 A2 2/2010
 WO 2011/096810 A1 8/2011

* cited by examiner

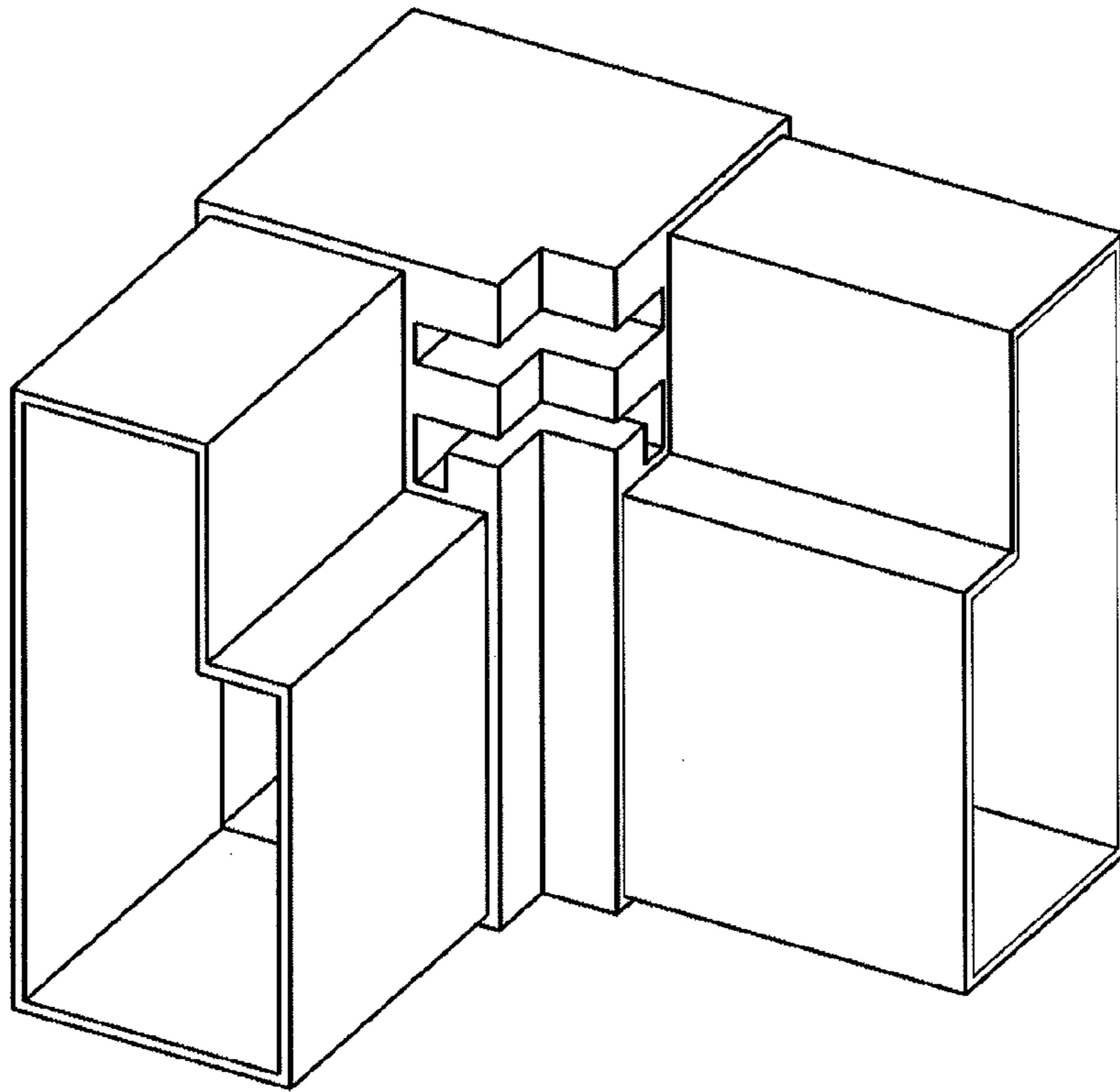


FIG. 1

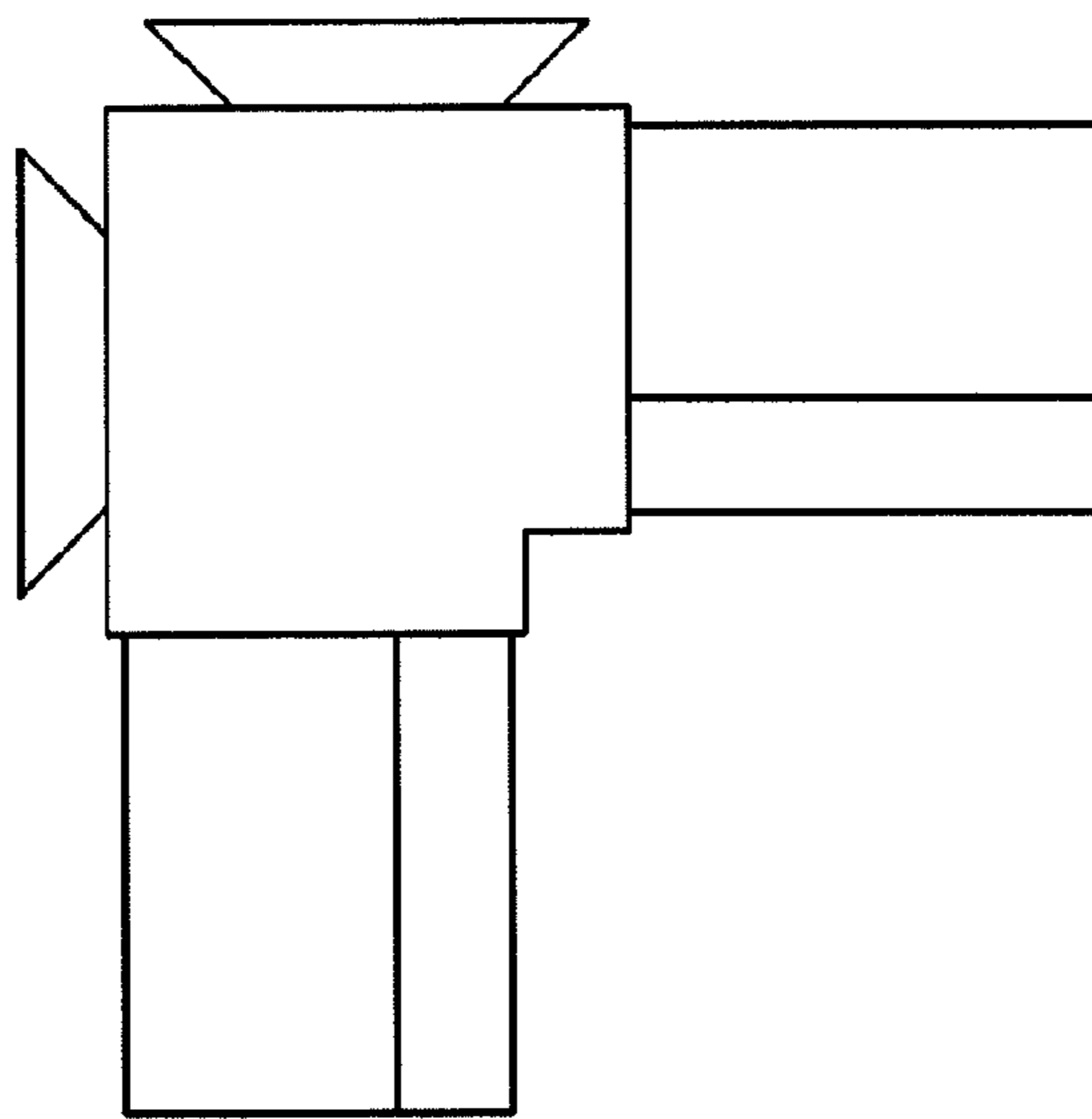


FIG. 2

FIG. 3

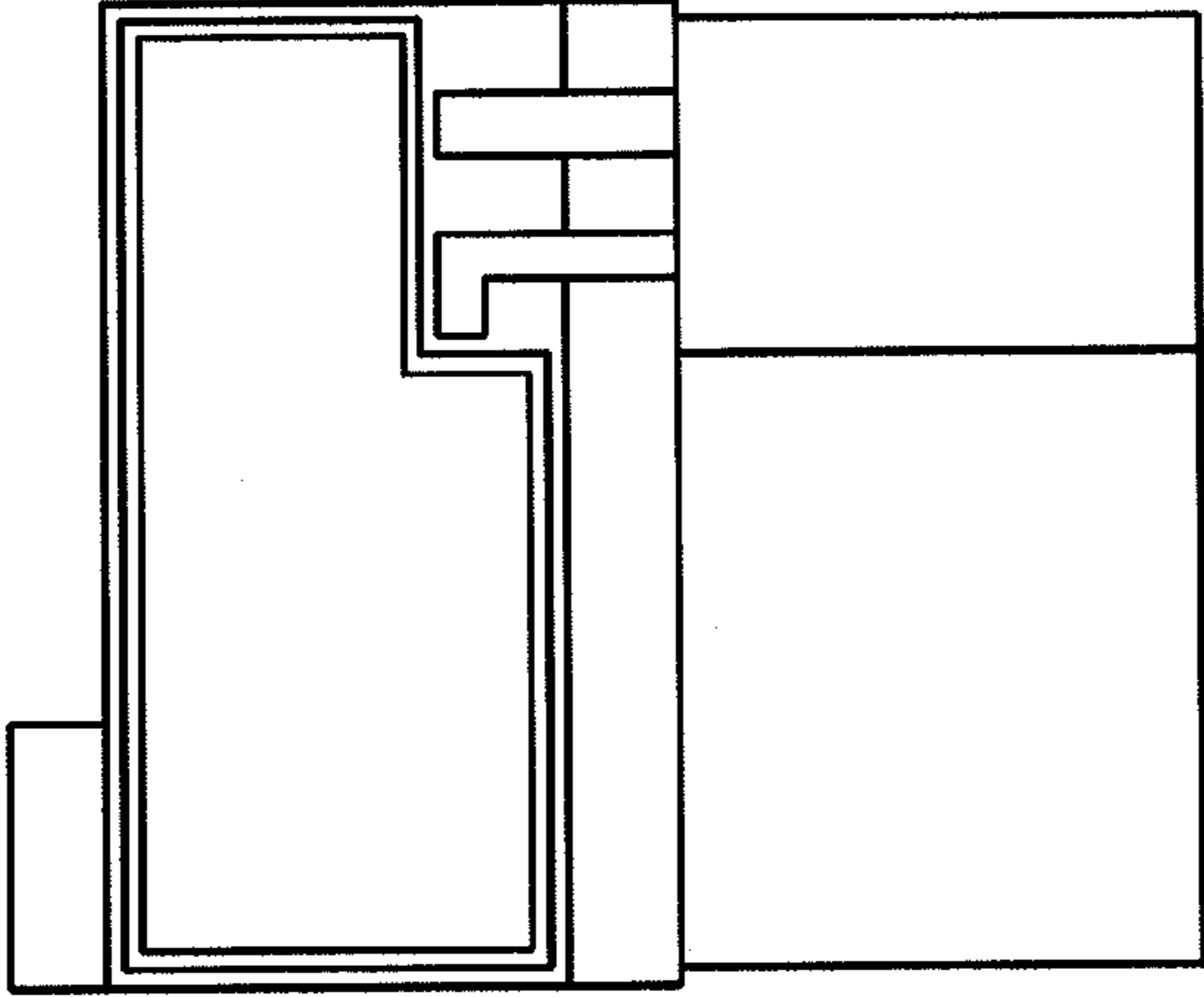


FIG. 4

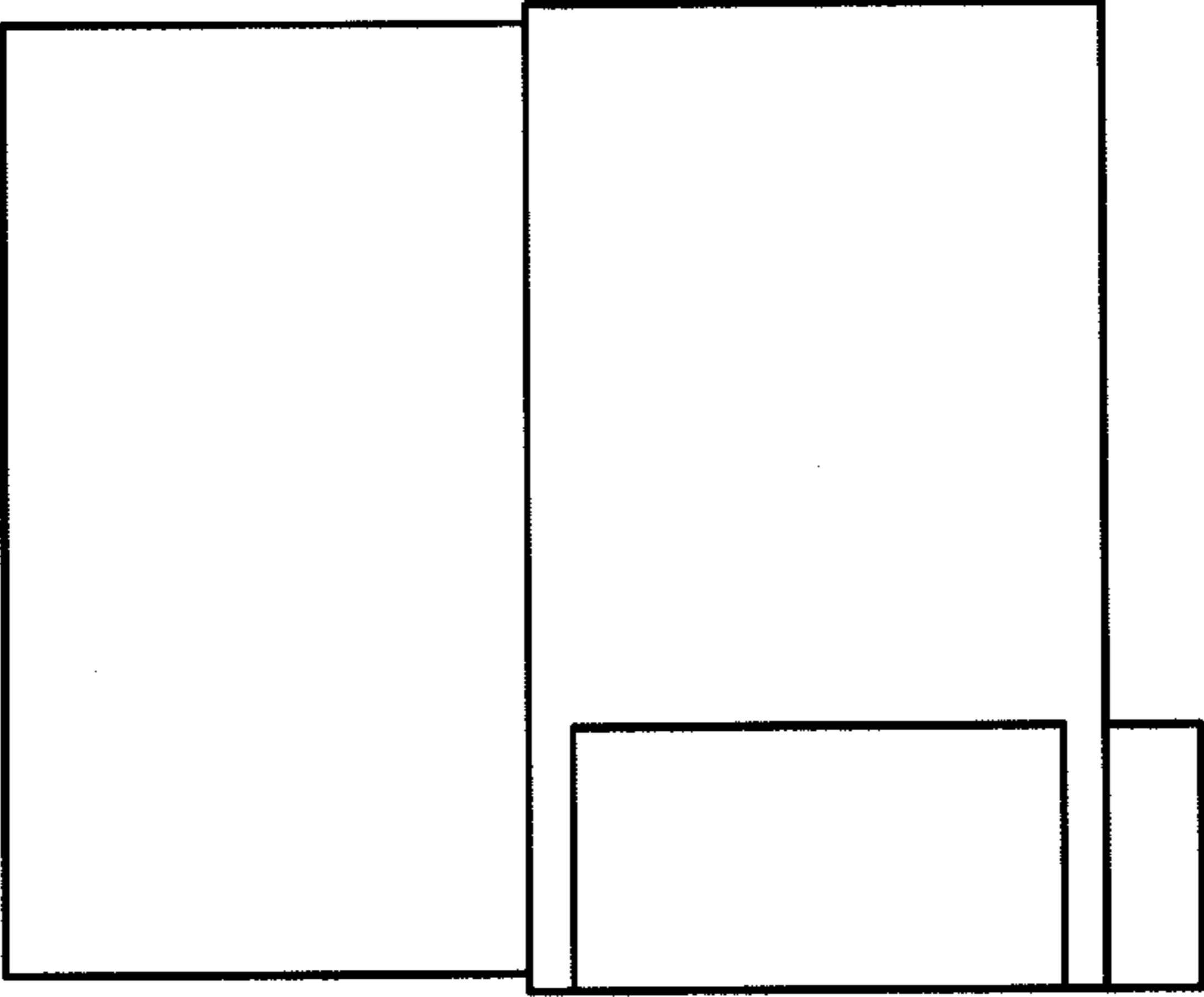


FIG. 5

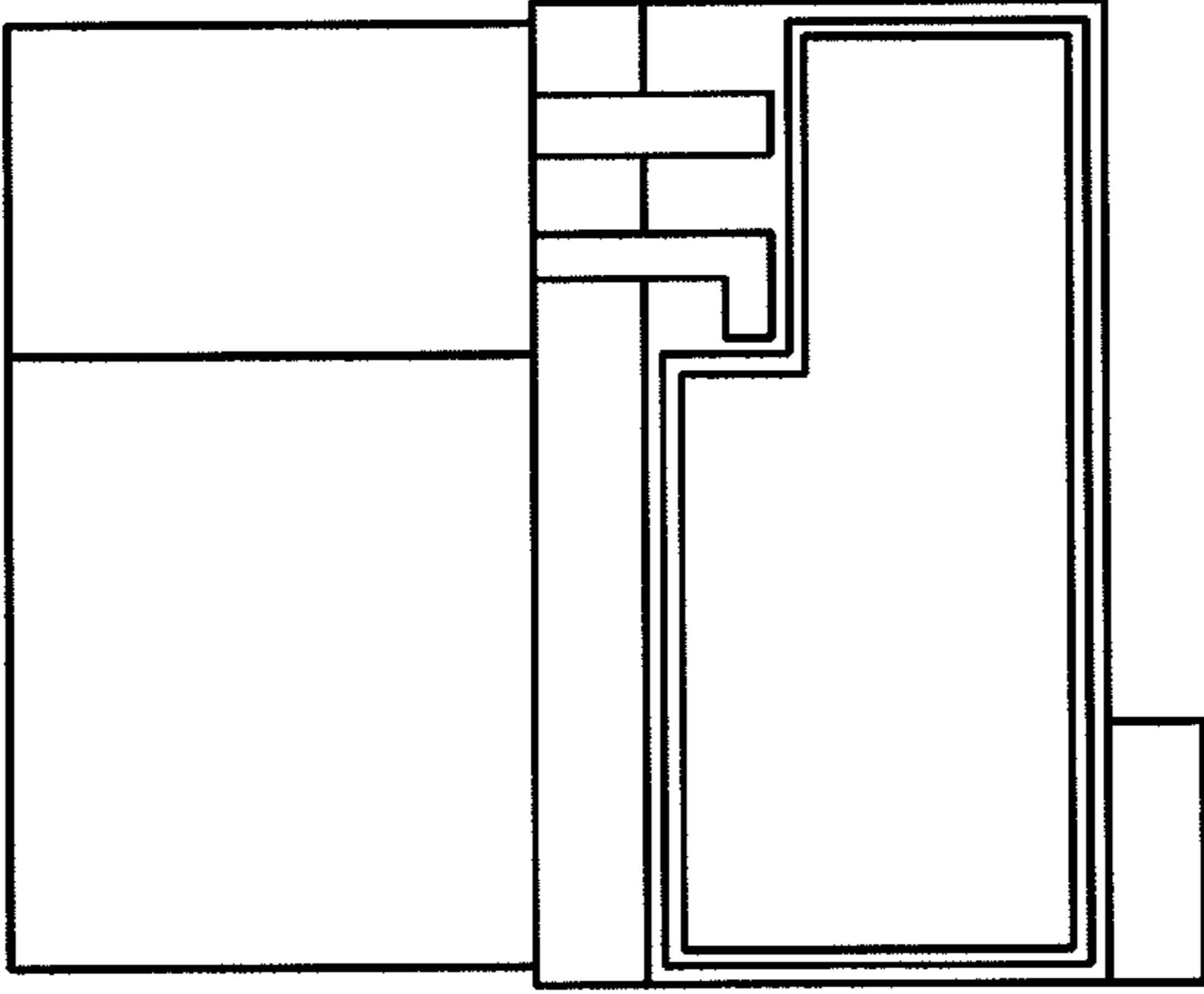


FIG. 6

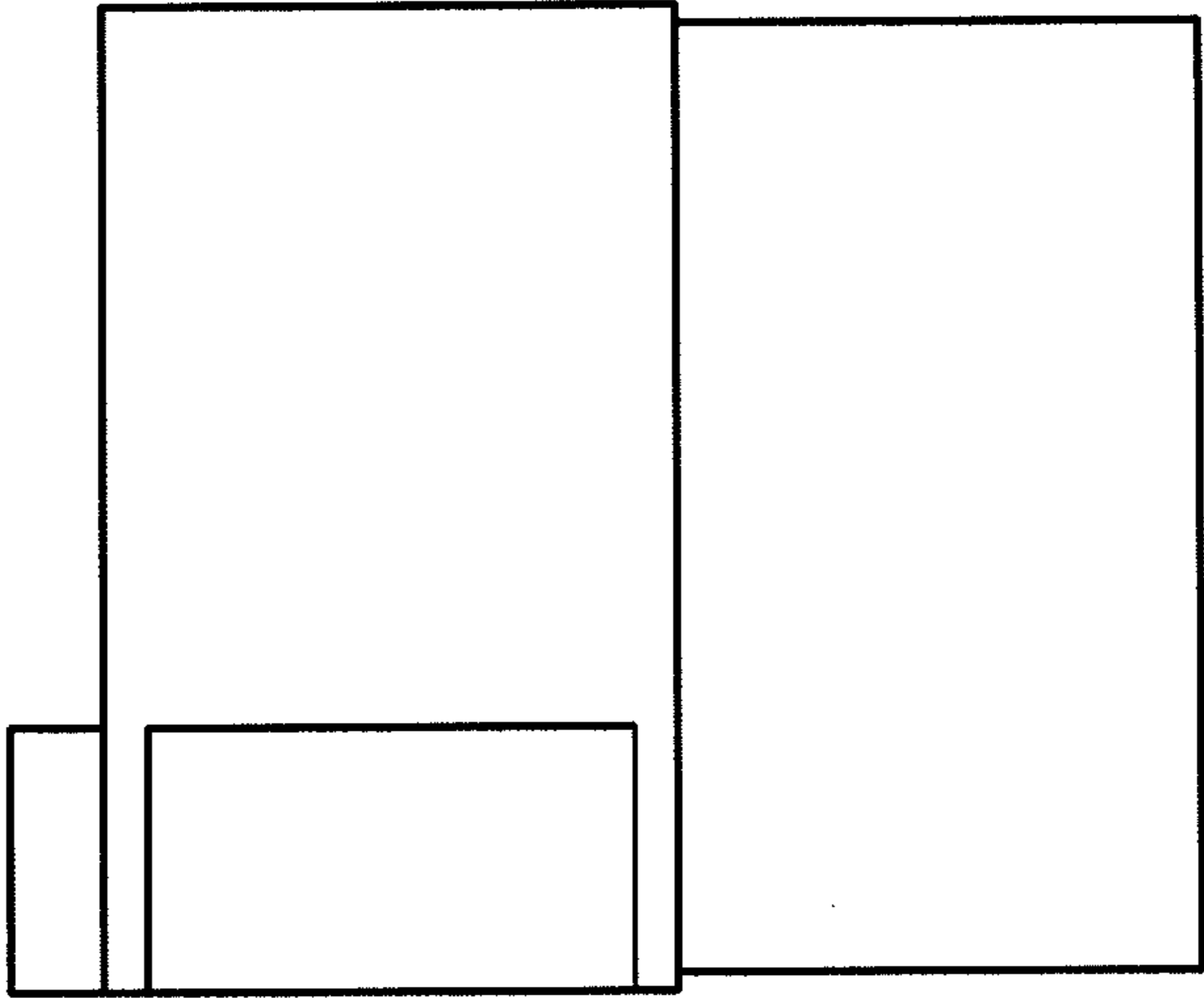


FIG. 7

