



US00D733641S

(12) **United States Design Patent**  
**Mathonet et al.**

(10) **Patent No.:** **US D733,641 S**  
(45) **Date of Patent:** **\*\* Jul. 7, 2015**

(54) **TIRE**

(71) Applicant: **The Goodyear Tire & Rubber Company, Akron, OH (US)**

(72) Inventors: **Vincent Benoit Mathonet, Harze (BE); Philippe Joseph Auguste Muller, Champlon (BE); Antoine Charles Penide, Luxembourg (LU); Albert Maurice Pol Ghislain Lerusse, Bastogne (BE); Daniel Scheuren, Arlon (BE)**

(73) Assignee: **The Goodyear Tire & Rubber Company, Akron, OH (US)**

(\*\*) Term: **14 Years**

(21) Appl. No.: **29/469,706**

(22) Filed: **Oct. 14, 2013**

(51) **LOC (10) Cl.** ..... **12-15**

(52) **U.S. Cl.**  
USPC ..... **D12/565**

(58) **Field of Classification Search**  
USPC ..... D12/533-567; 152/209.1-209.28  
CPC B60C 11/0306; B60C 11/0309; B60C 11/12;  
B60C 11/1369; B60C 2011/0372; B60C  
2200/06

See application file for complete search history.

(56) **References Cited**

**U.S. PATENT DOCUMENTS**

D302,412 S	7/1989	Goergen et al. ....	D12/146
D322,237 S	12/1991	Nakatani .....	D12/147
D370,196 S	5/1996	Graas et al. ....	D12/147
D385,519 S	10/1997	de Briey-Terlinden et al. ....	D12/147
D395,265 S	6/1998	Graas .....	D12/147
D399,798 S	10/1998	Grosskopf et al. ....	D12/147
D400,832 S	11/1998	Dixon et al. ....	D12/147
D441,696 S	5/2001	Fierro et al. ....	D12/147
D455,998 S	4/2002	Heinen et al. ....	D12/566

D471,151 S	3/2003	Otsuji .....	D12/559
D471,509 S	3/2003	Graas .....	D12/545
D512,682 S	12/2005	Krenz et al. ....	D12/564
D549,157 S	8/2007	Maus et al. ....	D12/544
D577,657 S	9/2008	Maus et al. ....	D12/544
D589,874 S	4/2009	Fontaine et al. ....	D12/564
D596,559 S	7/2009	Scheuren .....	D12/579
D599,731 S	9/2009	Scheuren .....	D12/566
D656,085 S	3/2012	Maus et al. ....	D12/544
D666,142 S *	8/2012	Yonetsu .....	D12/564
D720,684 S *	1/2015	Mathonet et al. ....	D12/564
D724,008 S *	3/2015	Mathonet et al. ....	D12/564

\* cited by examiner

*Primary Examiner* — George D Kirschbaum

*Assistant Examiner* — Jennifer Watkins

(74) *Attorney, Agent, or Firm* — Richard B. O'Planick

(57) **CLAIM**

The ornamental design for a tire, as shown and described.

**DESCRIPTION**

FIG. 1 is a perspective view of a tire showing our new design, it being understood that the pattern repeats uniformly throughout the circumference of the tread;

FIG. 2 is a front elevational view thereof;

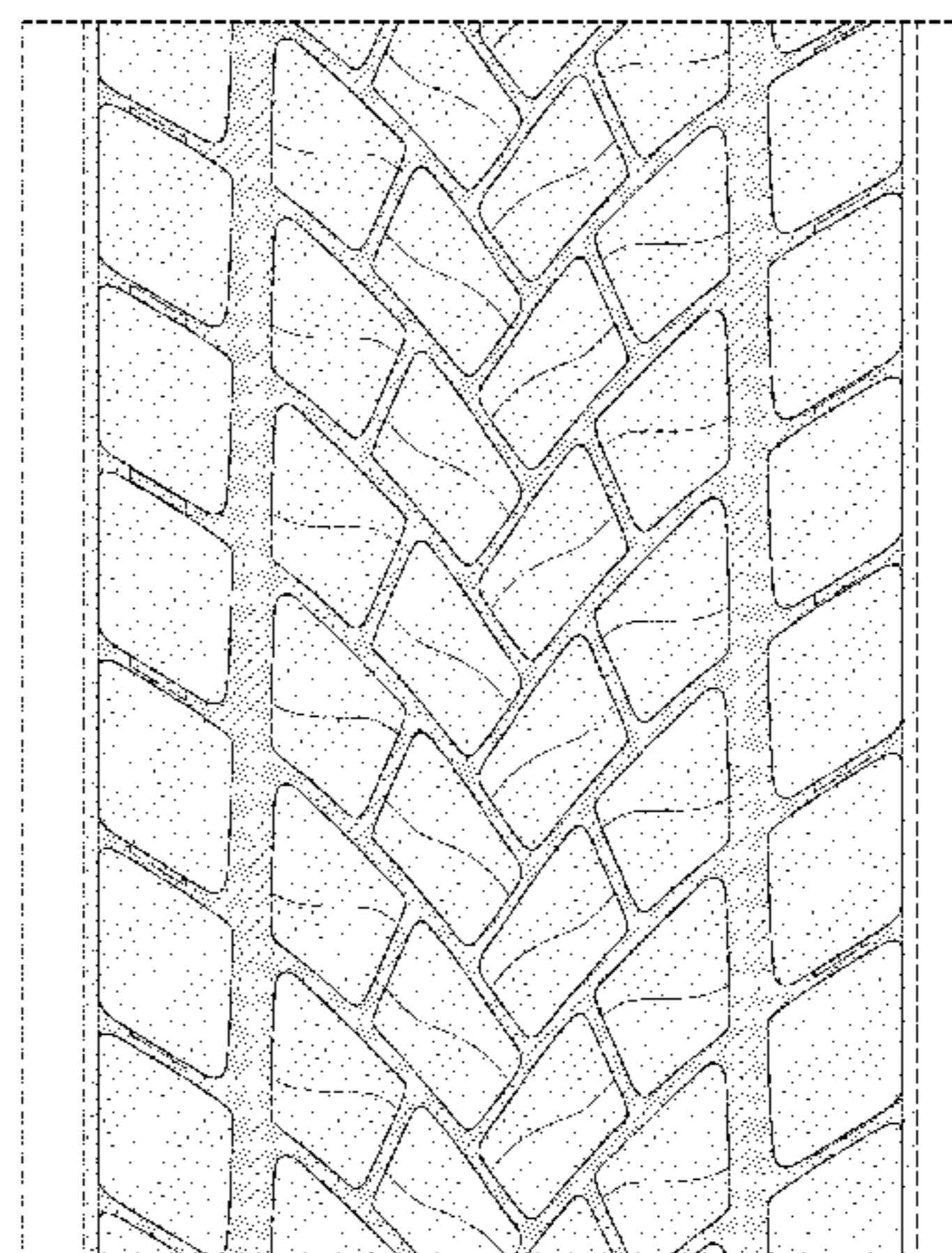
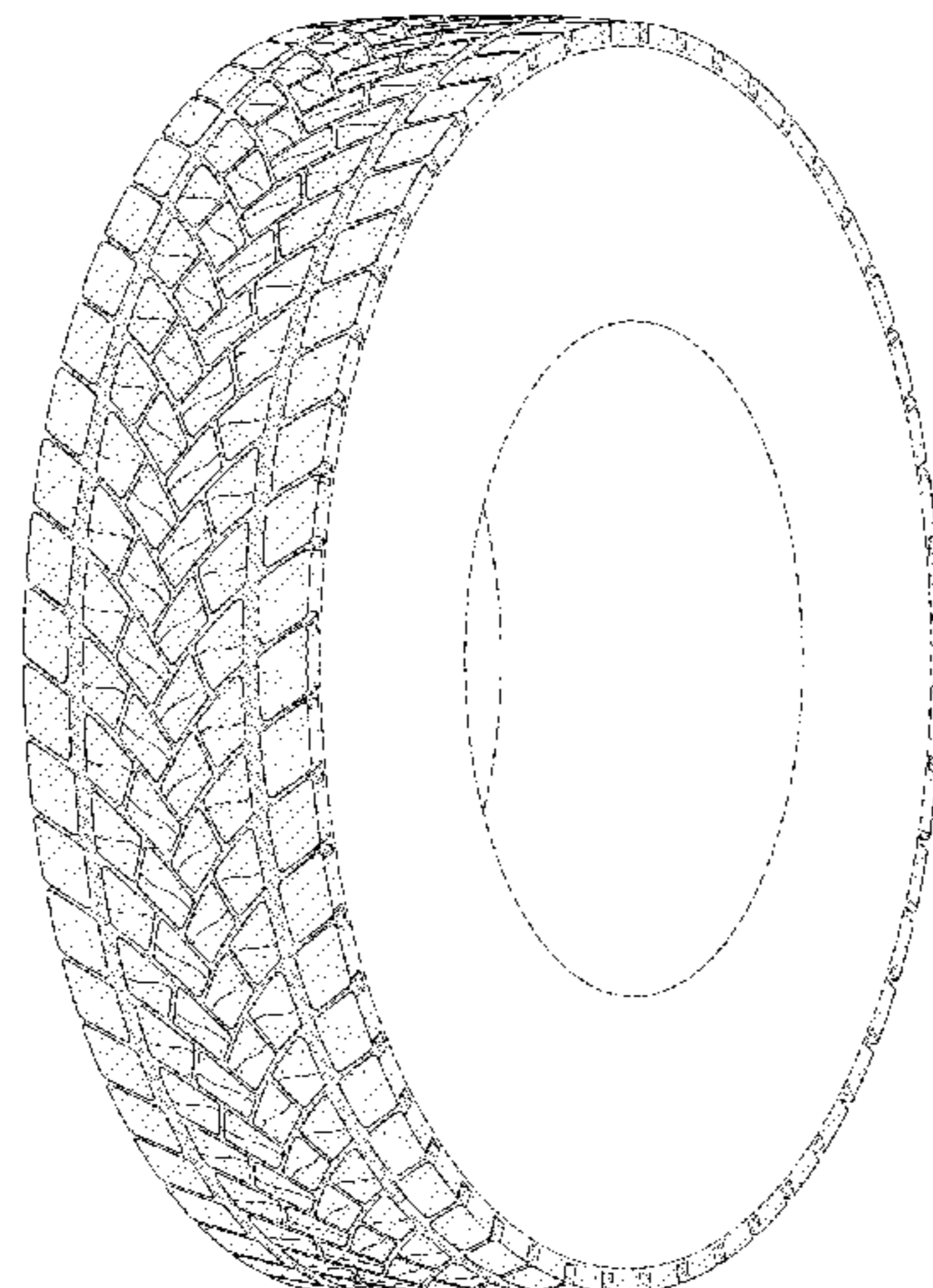
FIG. 3 is a right side elevational view thereof; the other side being a mirror image thereof;

FIG. 4 is an enlarged fragmentary front elevational view thereof;

FIG. 5 is a perspective view of a second embodiment of a tire showing our new design, it being understood that the pattern repeats uniformly throughout the circumference of the tread and that the opposite side view is a mirror image thereof; and, FIG. 6 is a front elevational view of a second embodiment, it being understood that an enlarged fragmentary view thereof would be substantially identical to that shown in FIG. 4, with the exception of the inclusion of the sidewall in solid lines.

In the drawings, the broken lines showing of the sidewall, inner bead and the peripheral boundary between the tire tread and the sidewall in FIGS. 1 through 4 depict environmental subject matter and form no part of the claimed design.

**1 Claim, 6 Drawing Sheets**



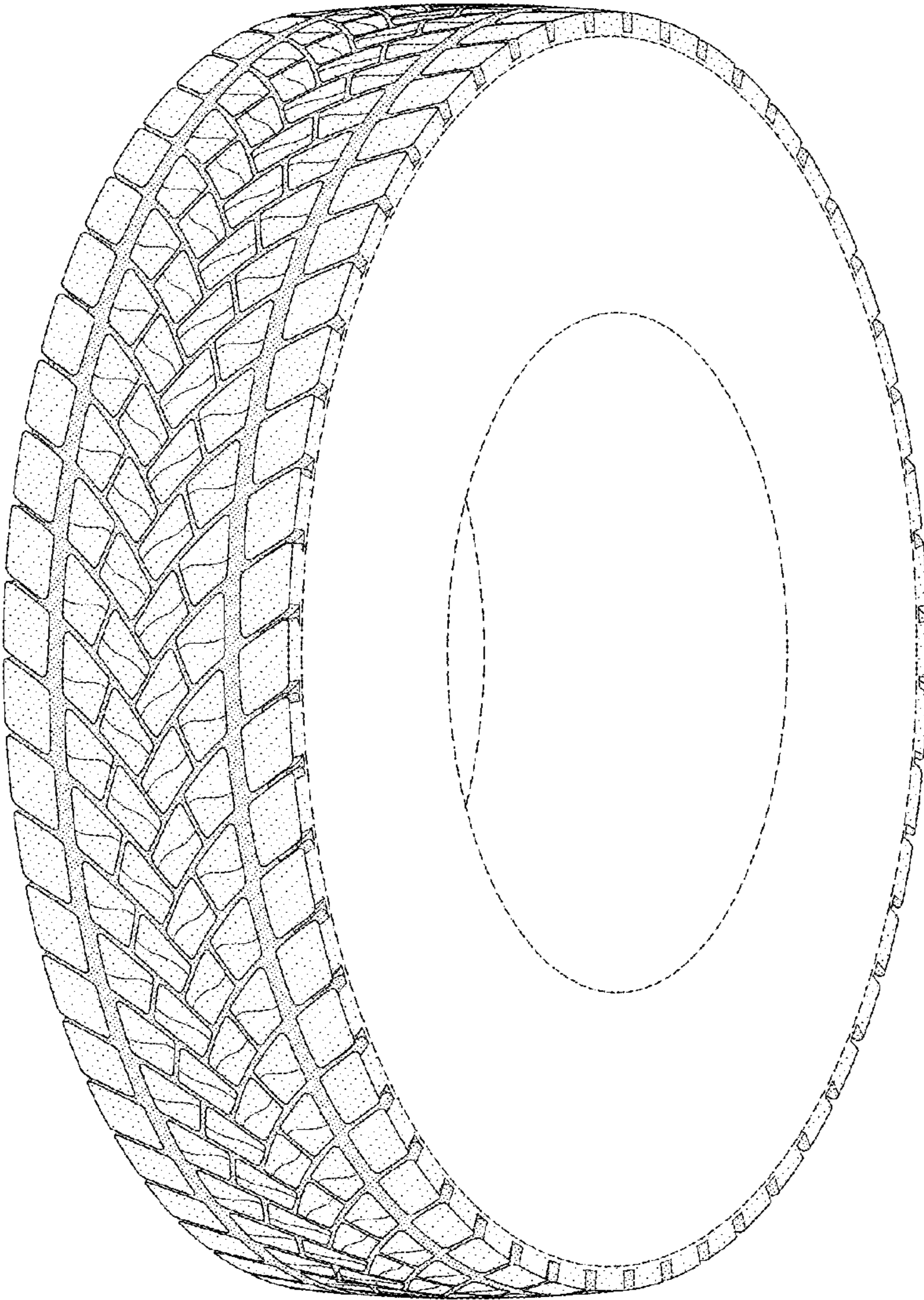


FIG-1



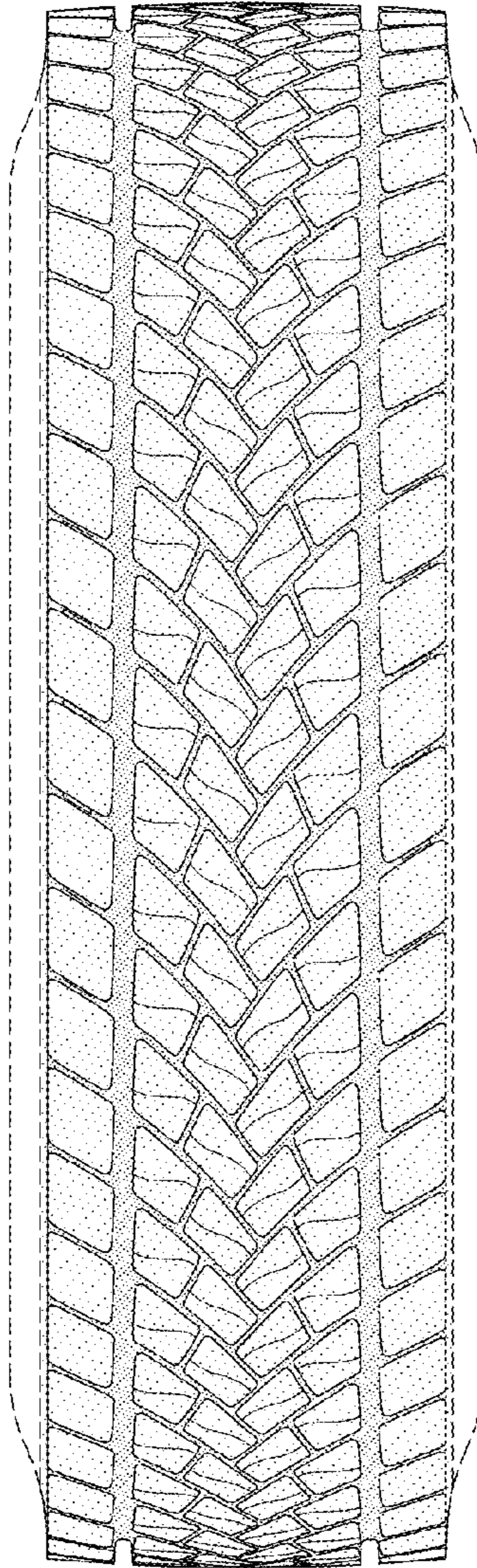


FIG-2

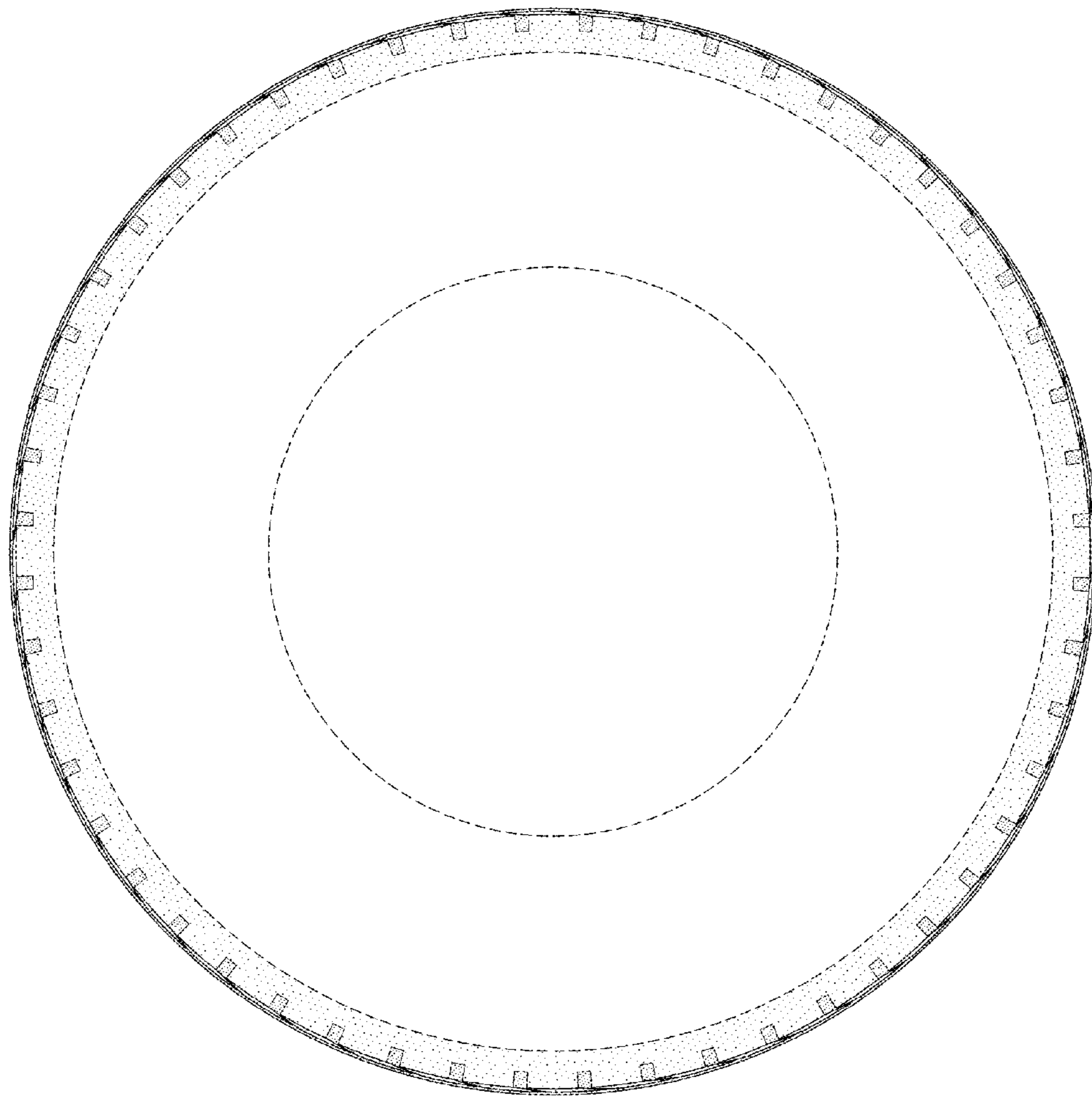


FIG-3

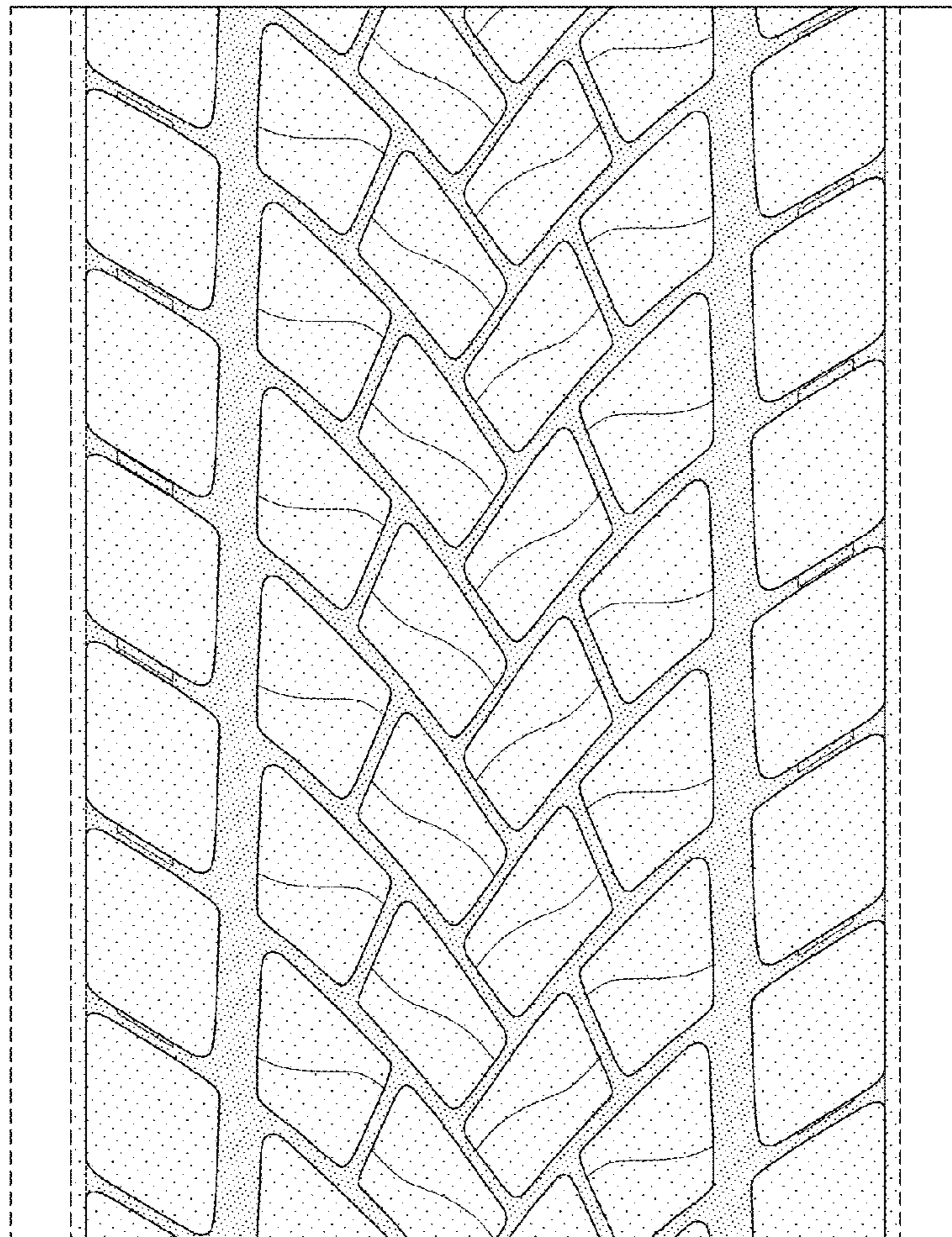


FIG-4



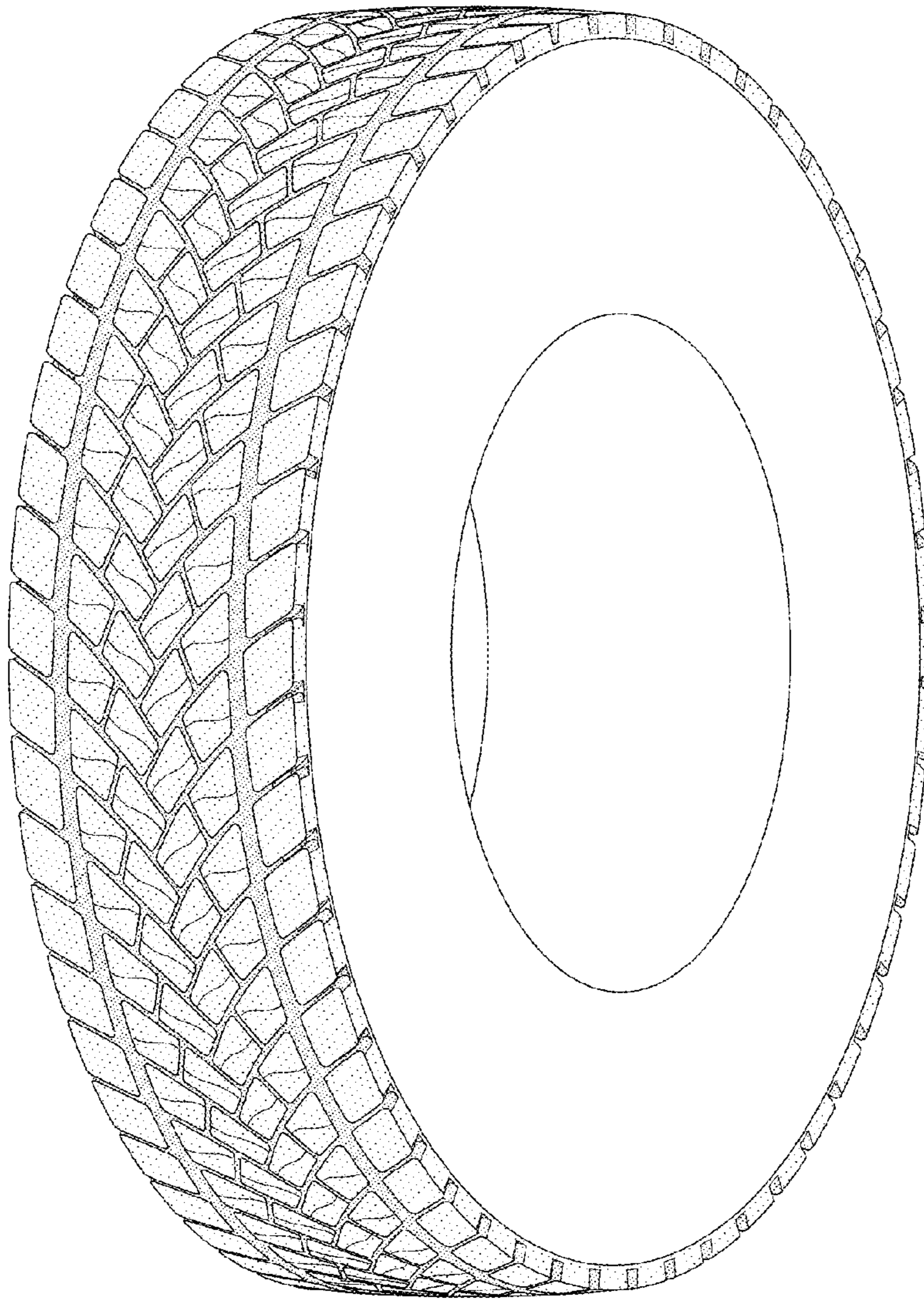


FIG-5

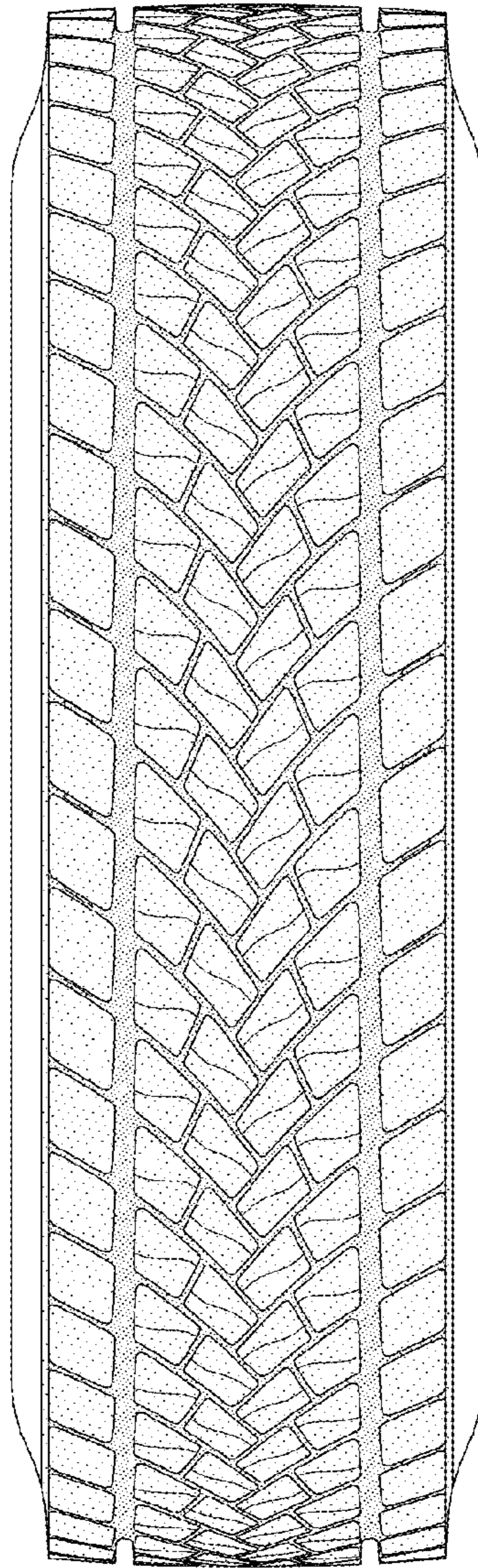


FIG-6