



US00D733640S

(12) **United States Design Patent**
Huang et al.

(10) **Patent No.:** **US D733,640 S**
(45) **Date of Patent:** **** Jul. 7, 2015**

(54) **TIRE**

(71) Applicant: **South China Tire & Rubber Co., Ltd.**,
Guangzhou (CN)

(72) Inventors: **Junqi Huang**, Guangzhou (CN); **Ya Bai**,
Guangzhou (CN); **Jiliang Luo**,
Guangzhou (CN)

(73) Assignee: **South China Tire & Rubber Co., Ltd.**,
Guangzhou (CN)

(**) Term: **14 Years**

(21) Appl. No.: **29/483,932**

(22) Filed: **Mar. 4, 2014**

(51) **LOC (10) Cl.** **12-15**

(52) **U.S. Cl.**
USPC **D12/564**

(58) **Field of Classification Search**
USPC D12/533-567; 152/209.1-209.9
CPC B60C 1/00; B60C 11/00; B60C 11/03
See application file for complete search history.

(56) **References Cited**

U.S. PATENT DOCUMENTS

D390,512 S *	2/1998	Eromaki	D12/553
D487,424 S *	3/2004	Takahashi et al.	D12/551
D588,981 S *	3/2009	Ibaraki	D12/551
D607,810 S *	1/2010	Oizumi et al.	D12/552
D622,657 S *	8/2010	Leocadio et al.	D12/553
D694,172 S *	11/2013	Takei	D12/553
D715,729 S *	10/2014	Fontaine et al.	D12/566

* cited by examiner

Primary Examiner — George D Kirschbaum

Assistant Examiner — Natasha Vujcic

(74) *Attorney, Agent, or Firm* — Seed IP Law Group PLLC

(57) **CLAIM**

The ornamental design for a tire, as shown and described.

DESCRIPTION

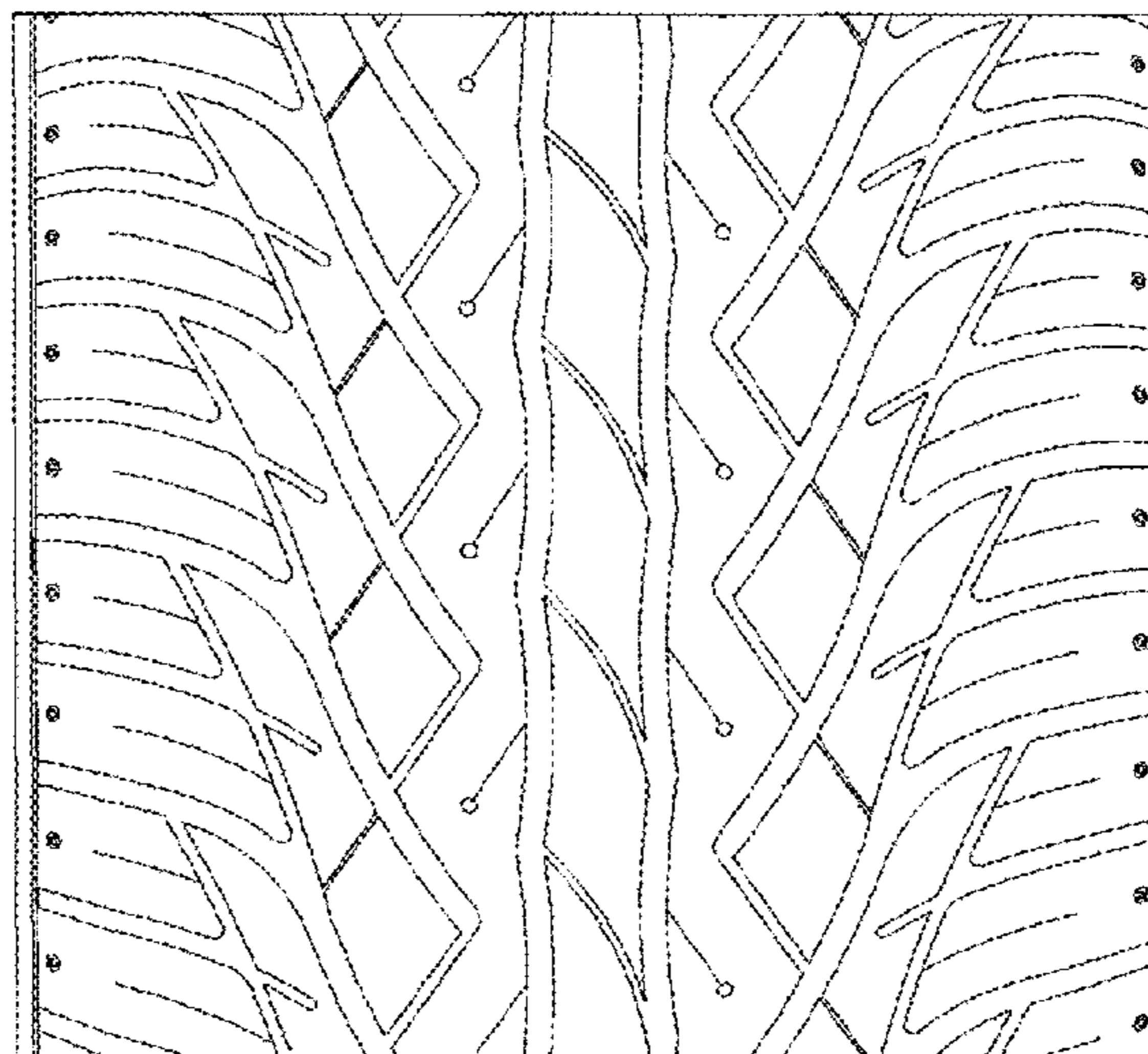
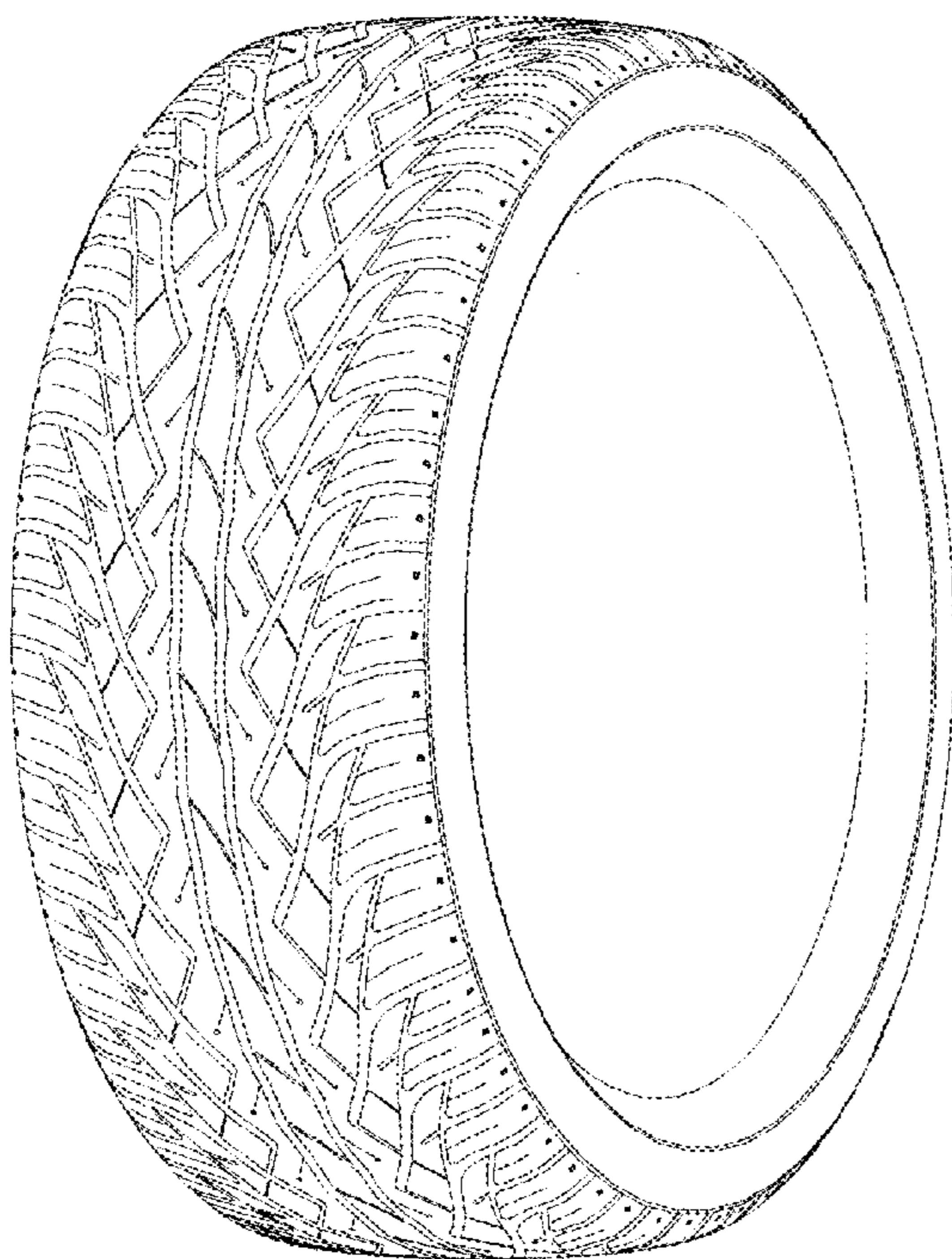
FIG. 1 is a radial view of a tire showing our new design.

FIG. 2 is a side view thereof.

FIG. 3 is a perspective view thereof; and,

FIG. 4 is a schematic plan view of a tread pattern thereon.

1 Claim, 4 Drawing Sheets



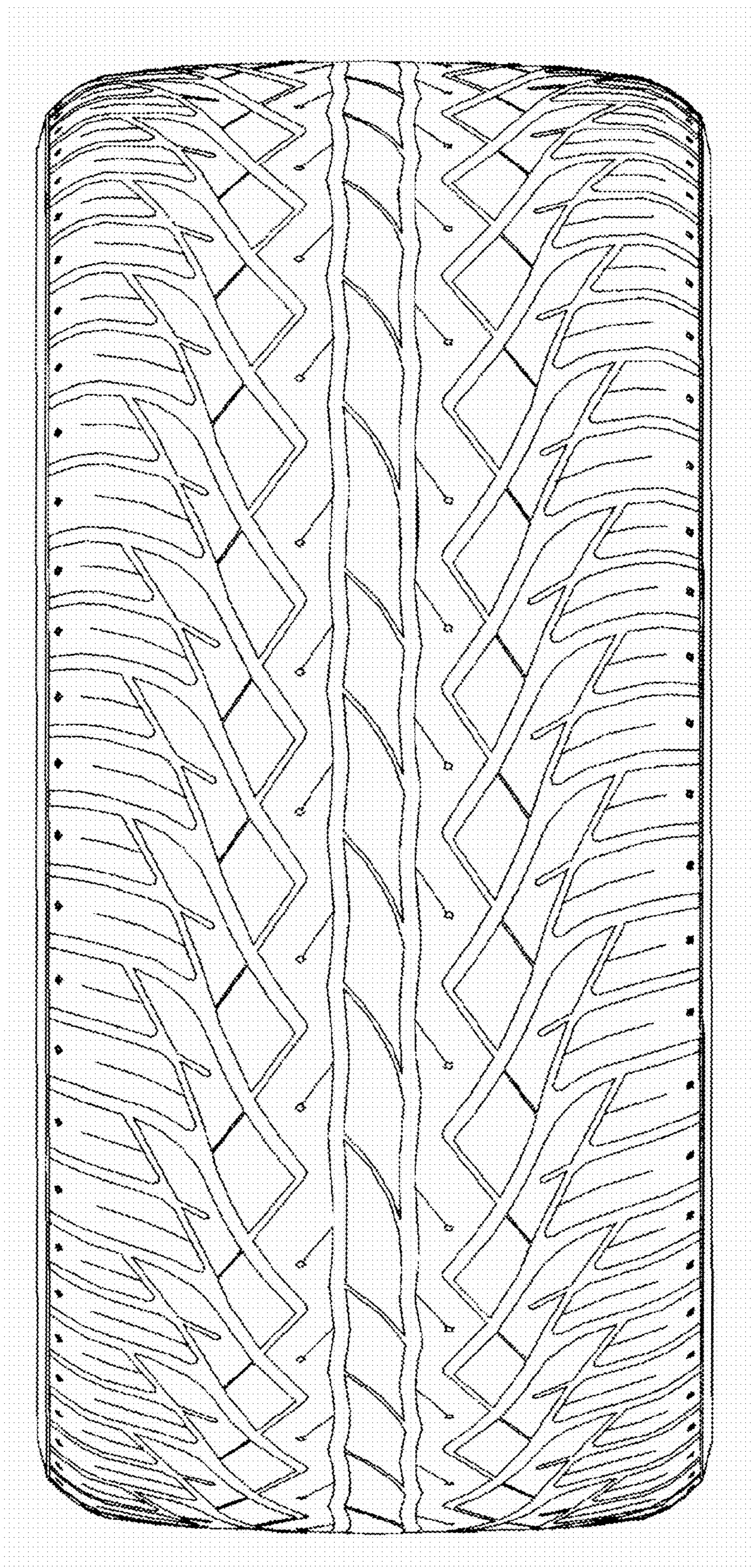


FIG. 1

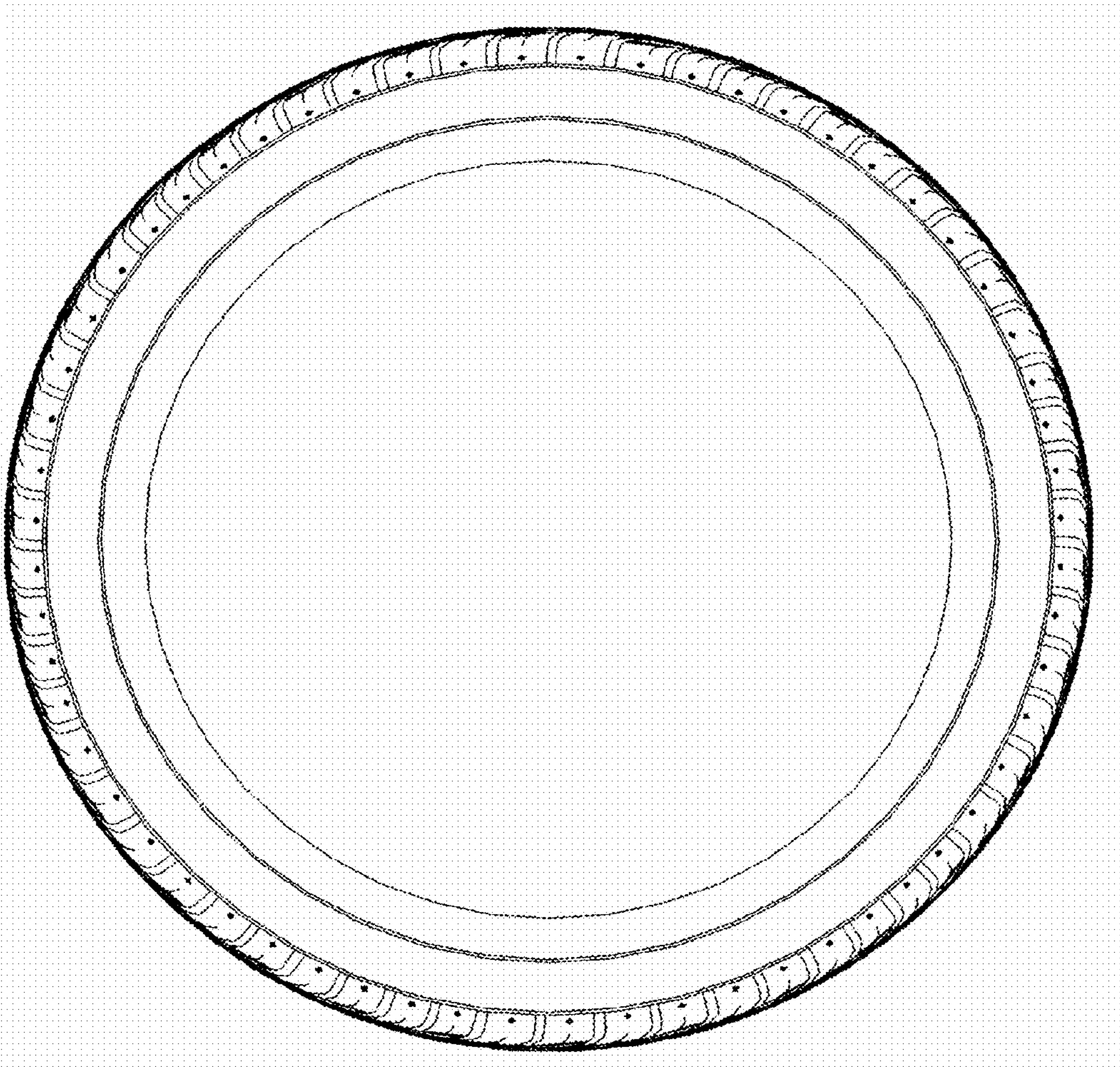


FIG. 2

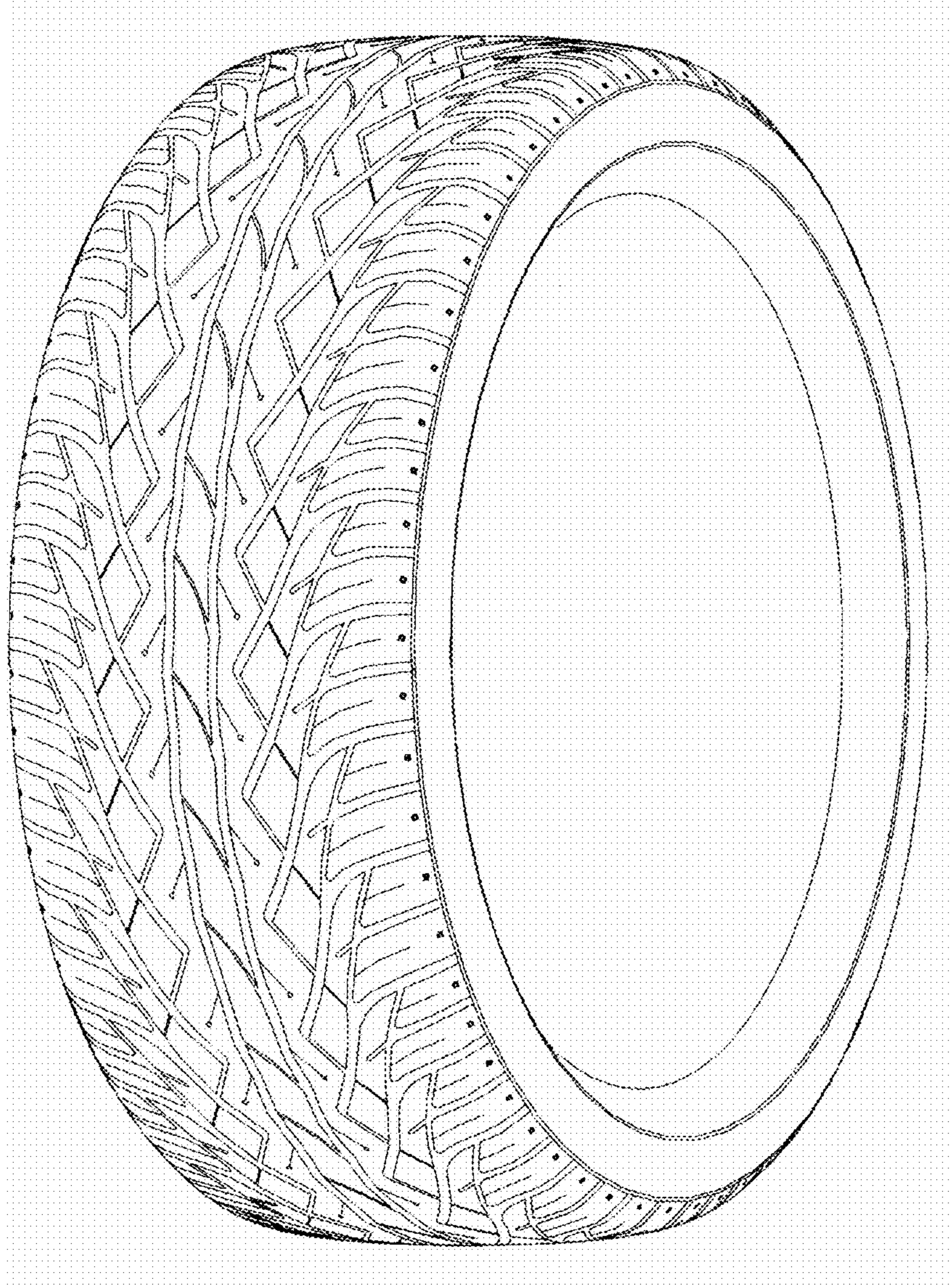


FIG. 3

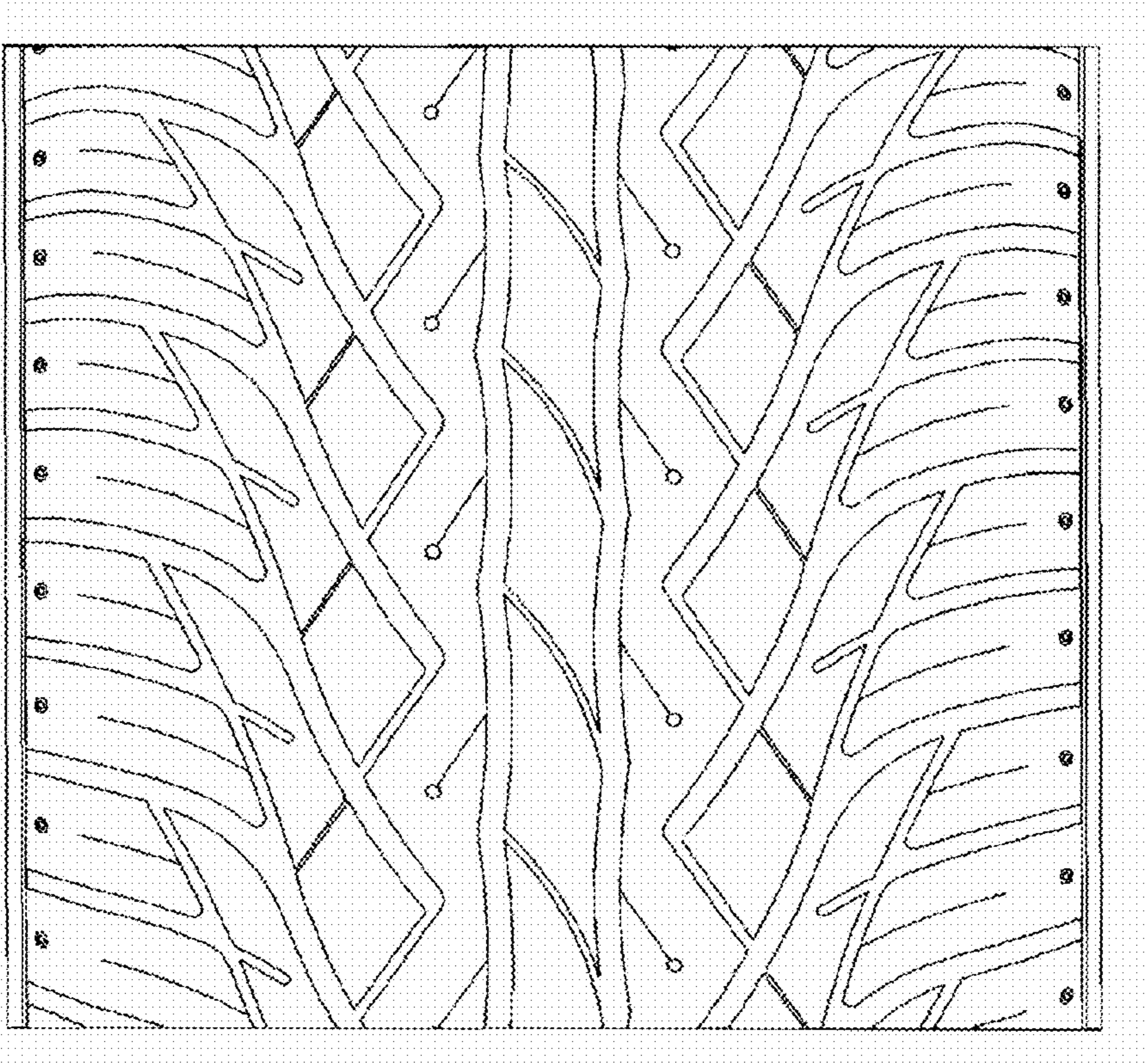


FIG. 4