



US00D733639S

(12) **United States Design Patent**
Fontaine et al.

(10) **Patent No.:** **US D733,639 S**
(45) **Date of Patent:** **** Jul. 7, 2015**

(54) **TIRE**

(71) Applicant: **The Goodyear Tire & Rubber Company, Akron, OH (US)**

(72) Inventors: **Sebastien Willy Fontaine, Vichten (LU); Armand Rene Gabriel Leconte, Bingonville (LU); Stephane Houchard, Orgeo (BE); Jean Joseph Victor Collette, Arlon (BE); Denis Michel Philippe Gilon, Herve (BE); Sascha Karl-Heinz Glaub, Godbrange (LU)**

(73) Assignee: **The Goodyear Tire & Rubber Company, Akron, OH (US)**

(**) Term: **14 Years**

(21) Appl. No.: **29/466,015**

(22) Filed: **Sep. 4, 2013**

(51) **LOC (10) Cl.** **12-15**

(52) **U.S. Cl.**
USPC **D12/563**

(58) **Field of Classification Search**
USPC D12/533-567; 152/209.1-209.2, 455, 152/158, 192
CPC B60C 1/00
See application file for complete search history.

(56) **References Cited**

U.S. PATENT DOCUMENTS

D361,966 S	9/1995	Graas et al.	D12/146
D379,449 S	5/1997	Graas et al.	D12/151
D379,787 S	6/1997	Maxwell et al.	D12/147
D429,194 S	8/2000	Heinen et al.	D12/147
D429,478 S	8/2000	Heinen et al.	D12/147
D431,800 S	10/2000	Heinen et al.	D12/147
D450,032 S	11/2001	Heinen	D12/550
D451,068 S	11/2001	Heinen et al.	D12/547
D451,446 S	12/2001	Heinen et al.	D12/147
D455,116 S	4/2002	Graas et al.	D12/553

D472,873 S	4/2003	Douce	D12/560
D504,106 S	4/2005	de Briey-Terlinden	D12/553
D504,866 S	5/2005	Collette et al.	D12/553
D505,112 S	5/2005	Heinen et al.	D12/567
D526,956 S	8/2006	Welbes et al.	D12/553
D533,131 S	12/2006	Fontaine et al.	D12/588
D548,677 S	8/2007	Welbes et al.	D12/553
D583,305 S	12/2008	Ashton et al.	D12/553
D589,874 S	4/2009	Fontaine et al.	D12/564
D591,221 S	4/2009	Fontaine et al.	D12/563
D592,588 S	5/2009	Heinen et al.	D12/564
D595,639 S	7/2009	de Briey-Terlinden	D12/553
D595,640 S	7/2009	de Briey-Terlinden	D12/564

(Continued)

Primary Examiner — George D Kirschbaum

(74) *Attorney, Agent, or Firm* — Richard B. O'Planick

(57) **CLAIM**

The ornamental design for a tire, as shown and described.

DESCRIPTION

FIG. 1 is a perspective view of a tire showing our new design, it being understood that the pattern repeats uniformly throughout the circumference of the tread;

FIG. 2 is a front elevational view thereof;

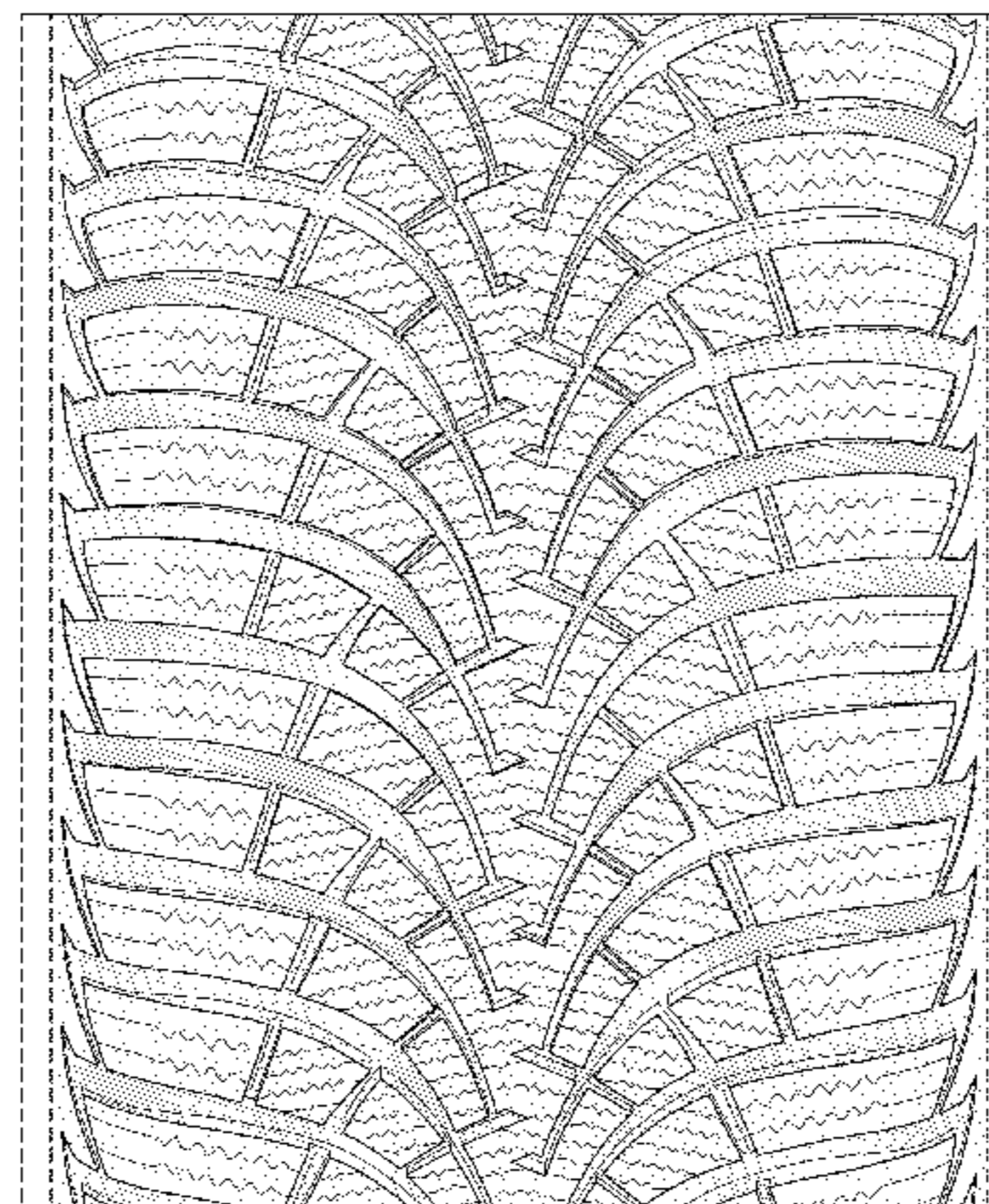
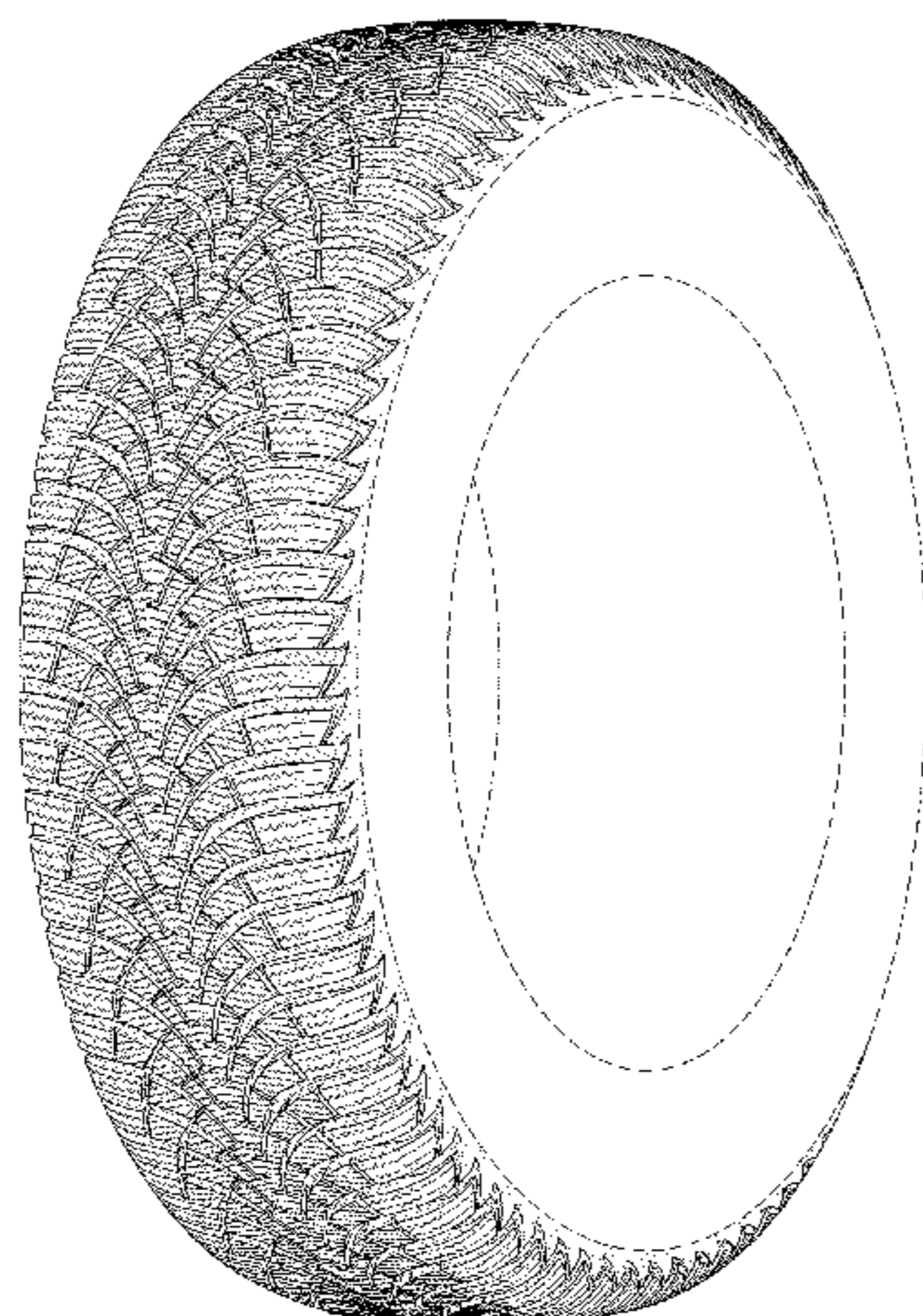
FIG. 3 is a right side elevational view thereof; the other side being a mirror image thereof;

FIG. 4 is an enlarged fragmentary front elevational view thereof;

FIG. 5 is a perspective view of a second embodiment of a tire showing our new design, it being understood that the pattern repeats uniformly throughout the circumference of the tread and that the opposite side view is a mirror image thereof; and, FIG. 6 is a front elevational view of a second embodiment, it being understood that an enlarged fragmentary view thereof would be substantially identical to that shown in FIG. 4, with the exception of the inclusion of the sidewall in solid lines.

In the drawings, the broken lines showing of the sidewall, inner bead and the peripheral boundary between the tire tread and the sidewall in FIGS. 1 through 4 depict environmental subject matter and form no part of the claimed design.

1 Claim, 6 Drawing Sheets



(56)

References Cited

U.S. PATENT DOCUMENTS

D596,109 S 7/2009 de Briey-Terlinden D12/553
D597,475 S 8/2009 Heinen et al. D12/553
D597,476 S 8/2009 de Briey-Terlinden D12/553
D597,929 S 8/2009 Diensthuber et al. D12/566
D598,367 S 8/2009 de Briey-Terlinden D12/553
D600,195 S 9/2009 Fontaine et al. D12/564
D601,946 S 10/2009 Fontaine et al. D12/553
D606,007 S 12/2009 Fontaine et al. D12/564

D610,964 S 3/2010 Dixon et al. D12/552
D622,657 S 8/2010 Leocadio et al. D12/553
D635,912 S 4/2011 Knispel D12/564
D638,350 S 5/2011 Knispel D12/564
D640,184 S 6/2011 de Briey-Terlinden D12/553
D640,966 S 7/2011 Fontaine et al. D12/563
D641,305 S 7/2011 de Briey-Terlinden D12/547
D651,163 S 12/2011 Shimizu et al. D12/560
D670,235 S 11/2012 de Briey-Terlinden D12/567
D686,563 S * 7/2013 Takei D12/564
D721,323 S * 1/2015 Caron et al. D12/563

* cited by examiner

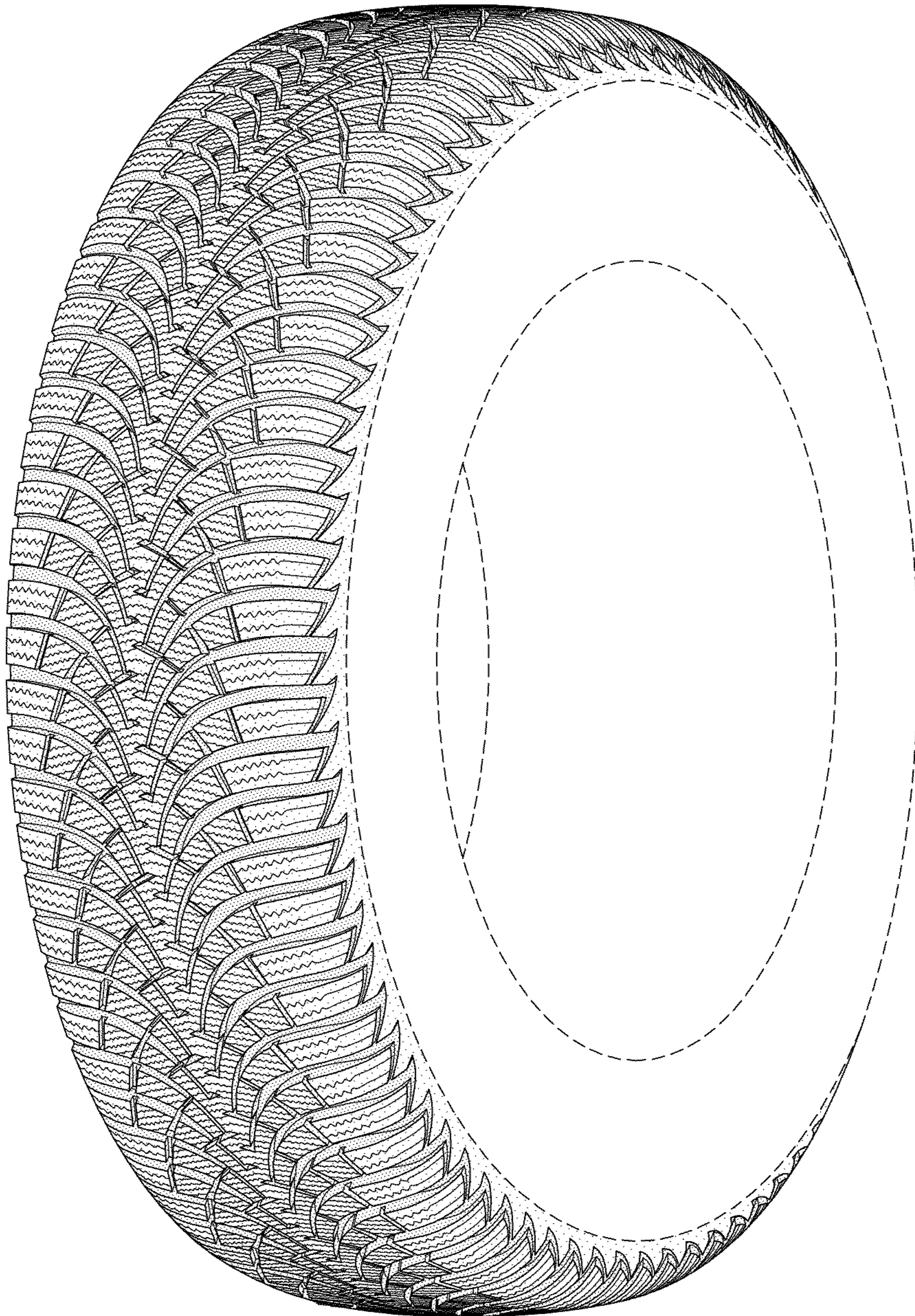


FIG-1

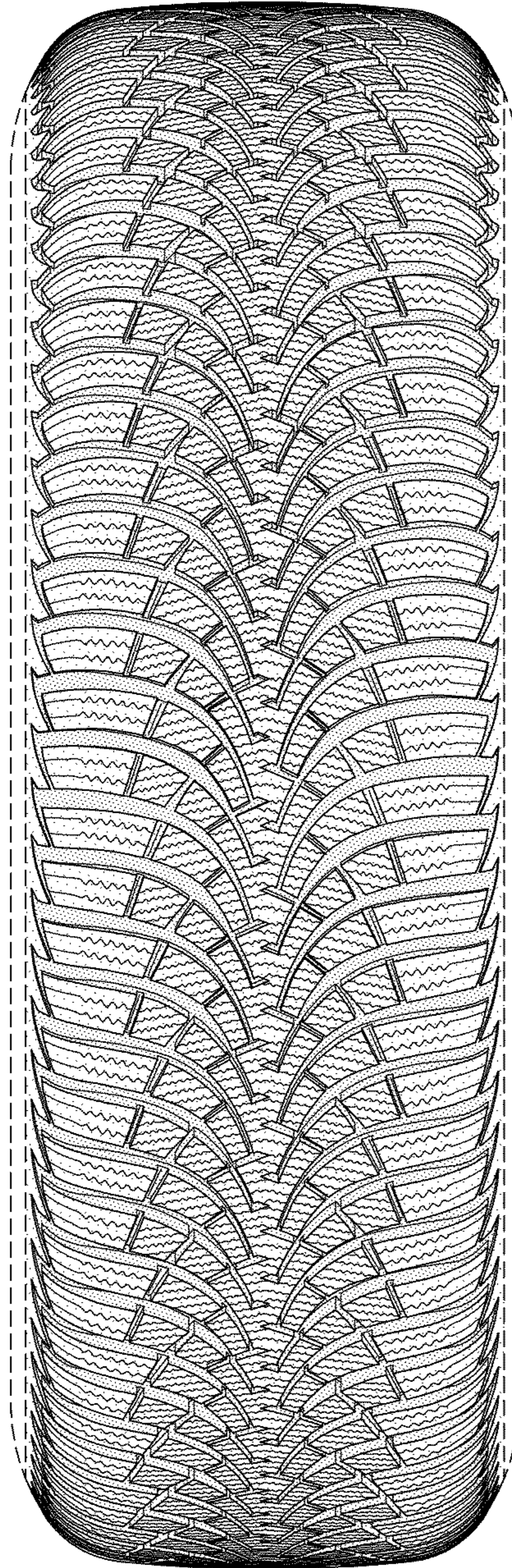


FIG-2

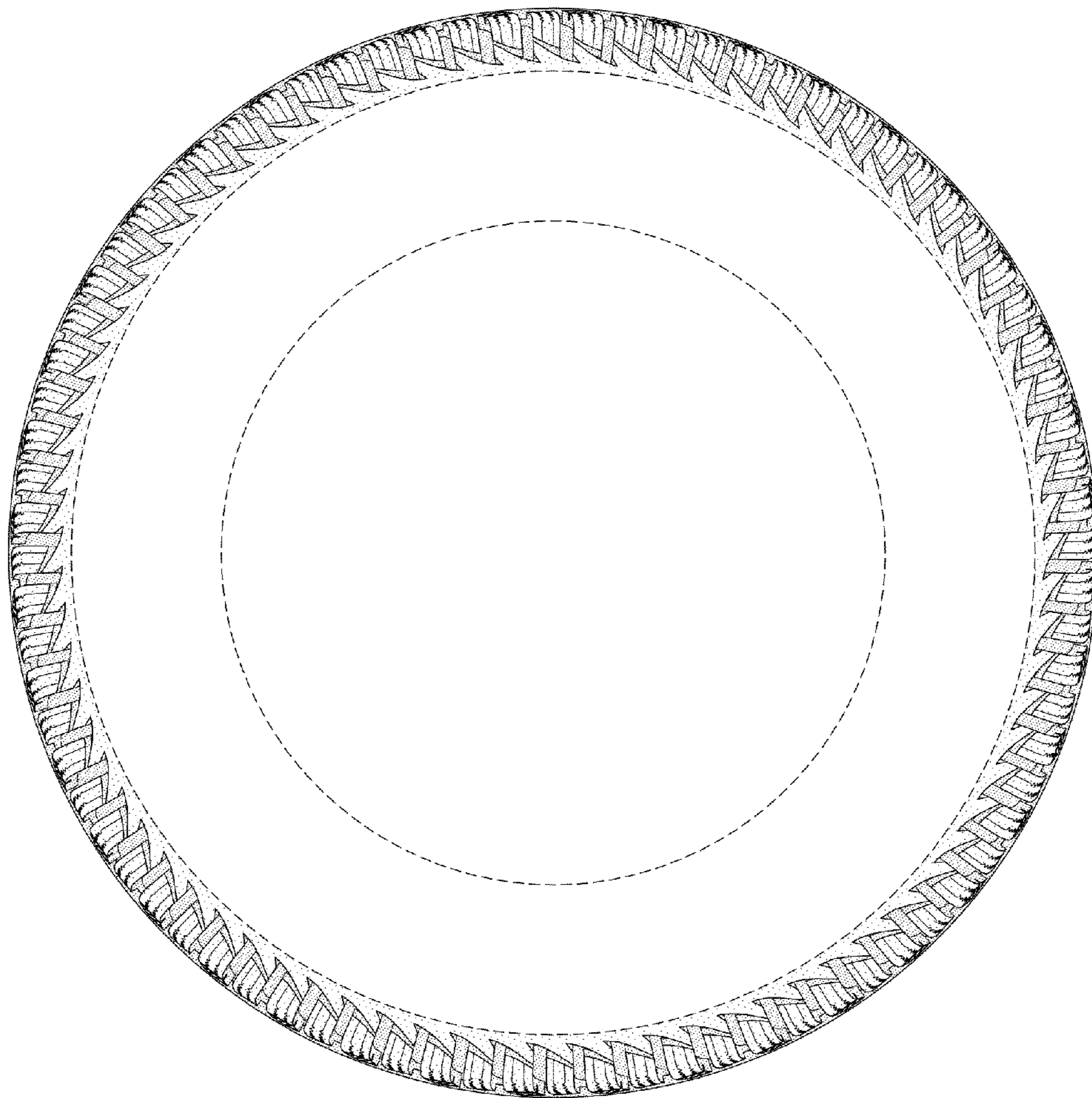


FIG-3

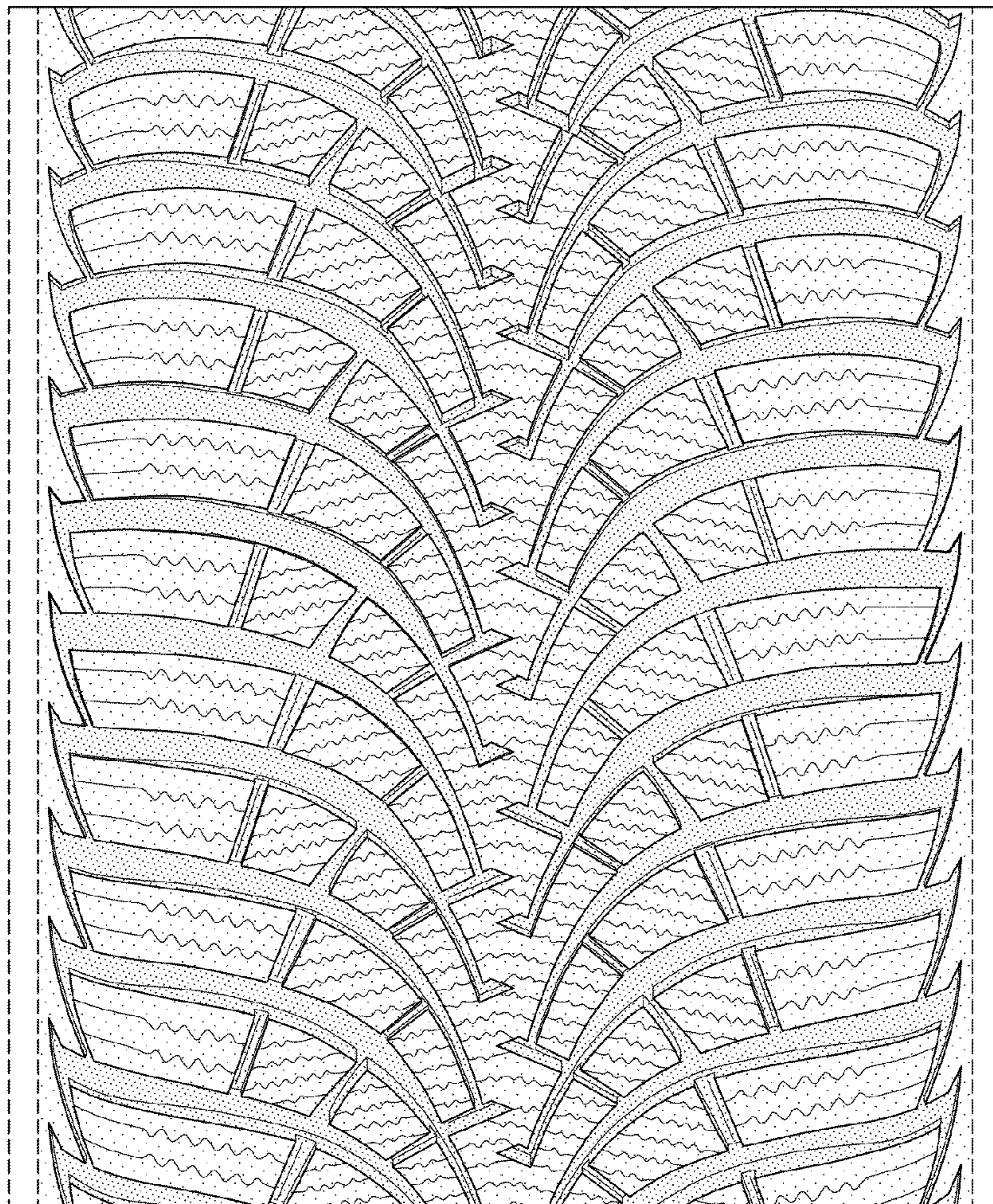


FIG-4

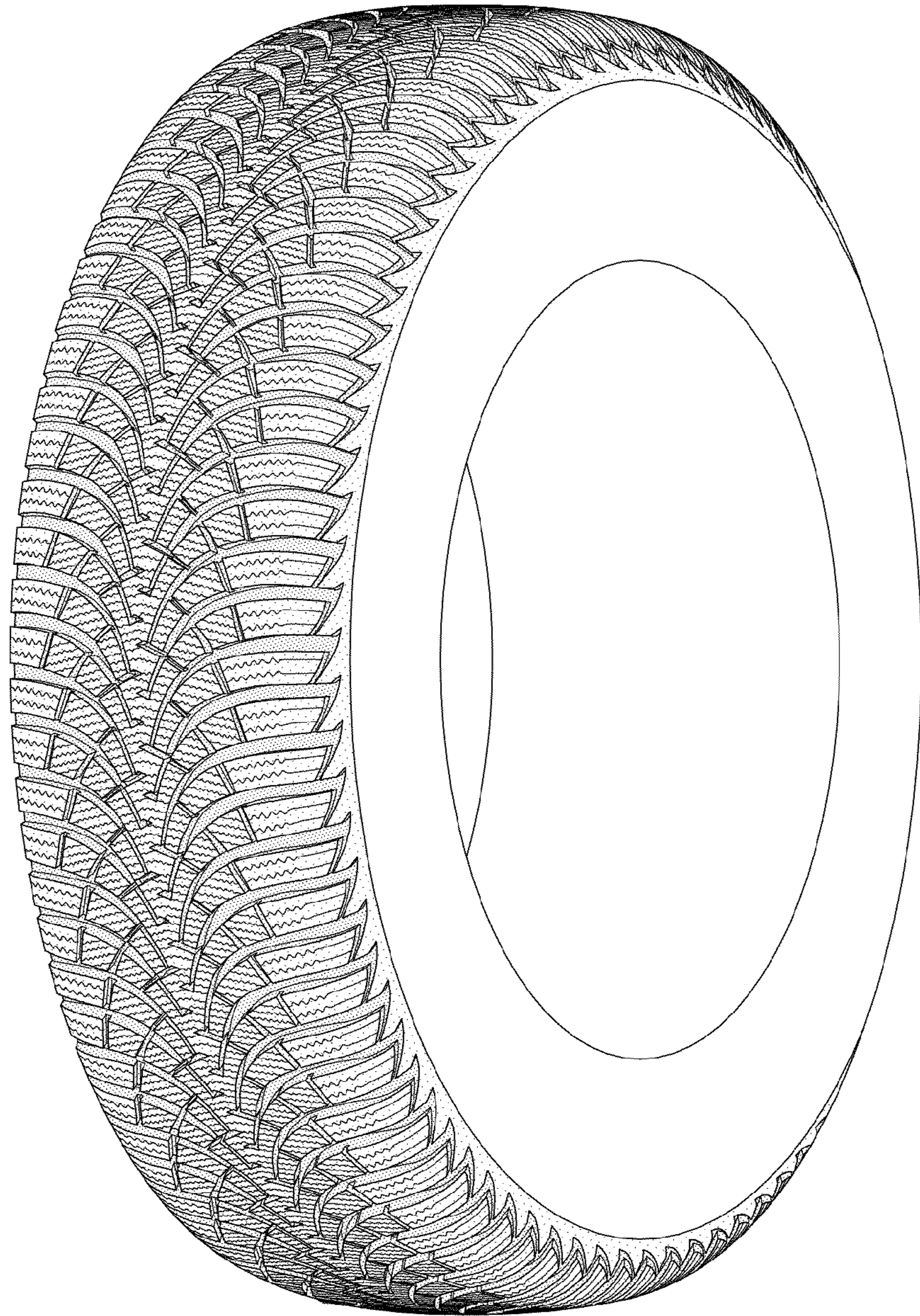


FIG-5

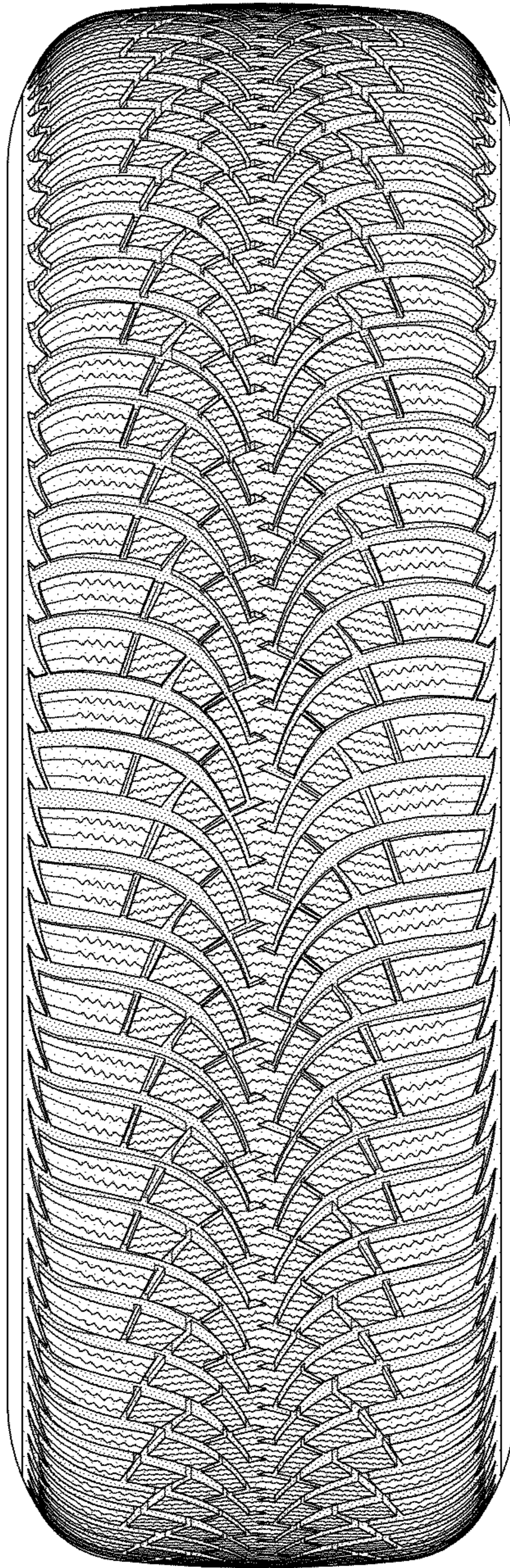


FIG-6