



US00D733634S

(12) **United States Design Patent**  
**De Camargo Aranha**

(10) **Patent No.:** **US D733,634 S**  
(45) **Date of Patent:** **\*\* Jul. 7, 2015**

(54) **SUBMARINE**

(71) Applicant: **José Medeiros De Camargo Aranha,**  
Tremembé (BR)

(72) Inventor: **José Medeiros De Camargo Aranha,**  
Tremembé (BR)

(73) Assignee: **Jose Nedeiros De Camargo Aranha,**  
Tremebe (BR)

(\*\*) Term: **14 Years**

(21) Appl. No.: **29/481,046**

(22) Filed: **Jan. 31, 2014**

(30) **Foreign Application Priority Data**

Jul. 31, 2013 (BR) ..... 30 2013 003724

(51) **LOC (10) Cl.** ..... **12-06**

(52) **U.S. Cl.**  
USPC ..... **D12/308**

(58) **Field of Classification Search**  
USPC ..... D12/214, 308, 317, 318; 114/20.1, 244,  
114/245, 312, 315, 316, 318, 319, 322, 324,  
114/326, 327, 330-333, 337, 338; 440/49,  
440/51, 53, 61 R, 61 T, 66, 76, 79-81, 89 R  
See application file for complete search history.

(56) **References Cited**

**U.S. PATENT DOCUMENTS**

D196,013 S \* 8/1963 Higgins, Jr. .... D12/308  
D200,506 S \* 3/1965 Piccard ..... D12/308

D205,812 S \* 9/1966 Ulbrich ..... D12/308  
D210,755 S \* 4/1968 Lang ..... D12/308  
3,722,452 A \* 3/1973 Wynn, Jr. .... 114/244  
D304,923 S \* 12/1989 Pado ..... D12/308  
5,078,069 A \* 1/1992 August et al. .... 114/20.1  
5,373,800 A \* 12/1994 Steinberg ..... 114/282  
5,462,003 A \* 10/1995 Fox et al. .... 114/316  
D415,464 S \* 10/1999 Frechette ..... D12/308  
5,979,354 A \* 11/1999 Arzola ..... 114/312  
6,845,728 B1 \* 1/2005 Horton ..... 114/244  
7,337,741 B1 \* 3/2008 Ansay et al. .... 114/239

\* cited by examiner

*Primary Examiner* — Cynthia M Chin

(74) *Attorney, Agent, or Firm* — K&L Gates LLP

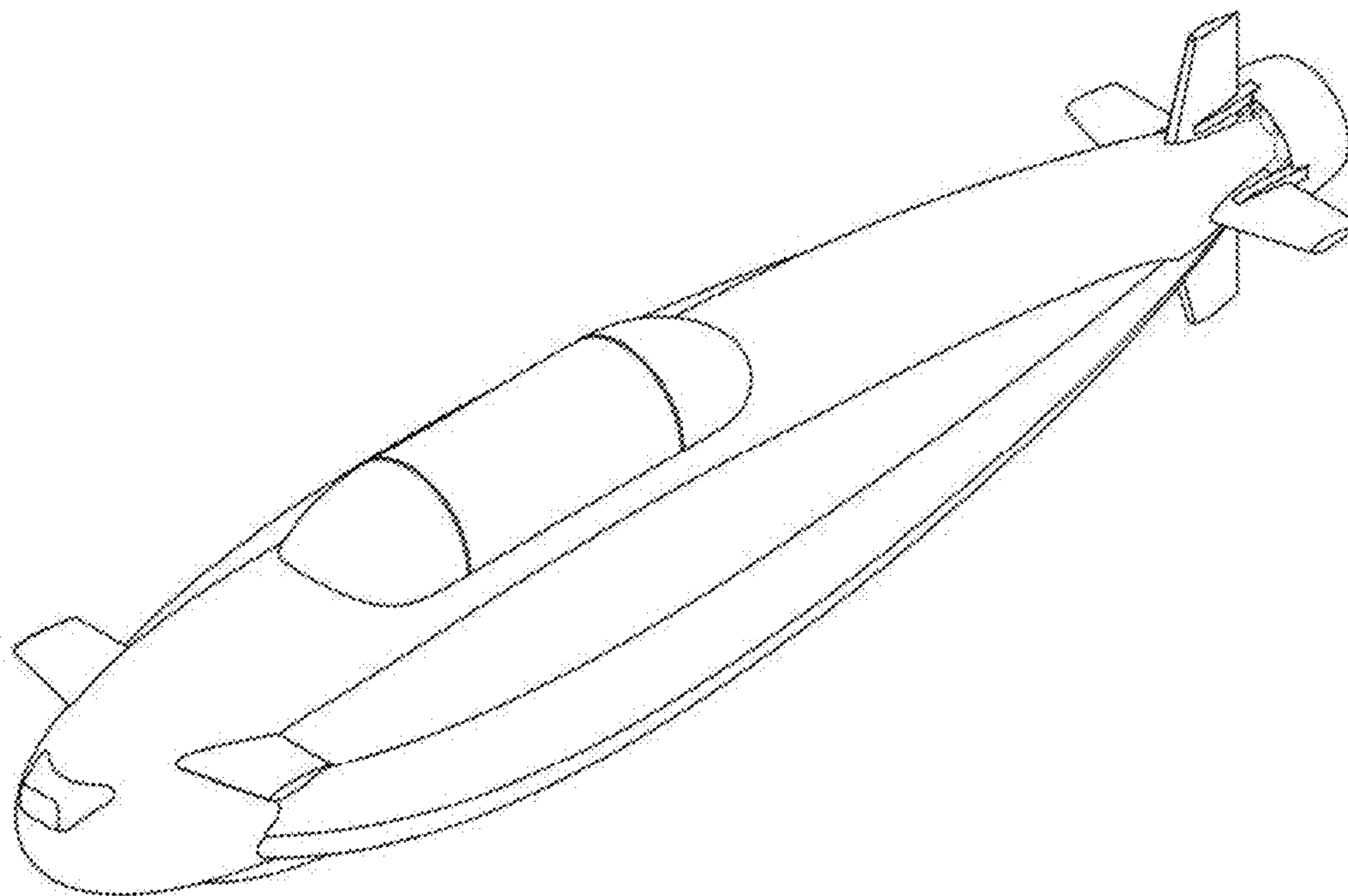
(57) **CLAIM**

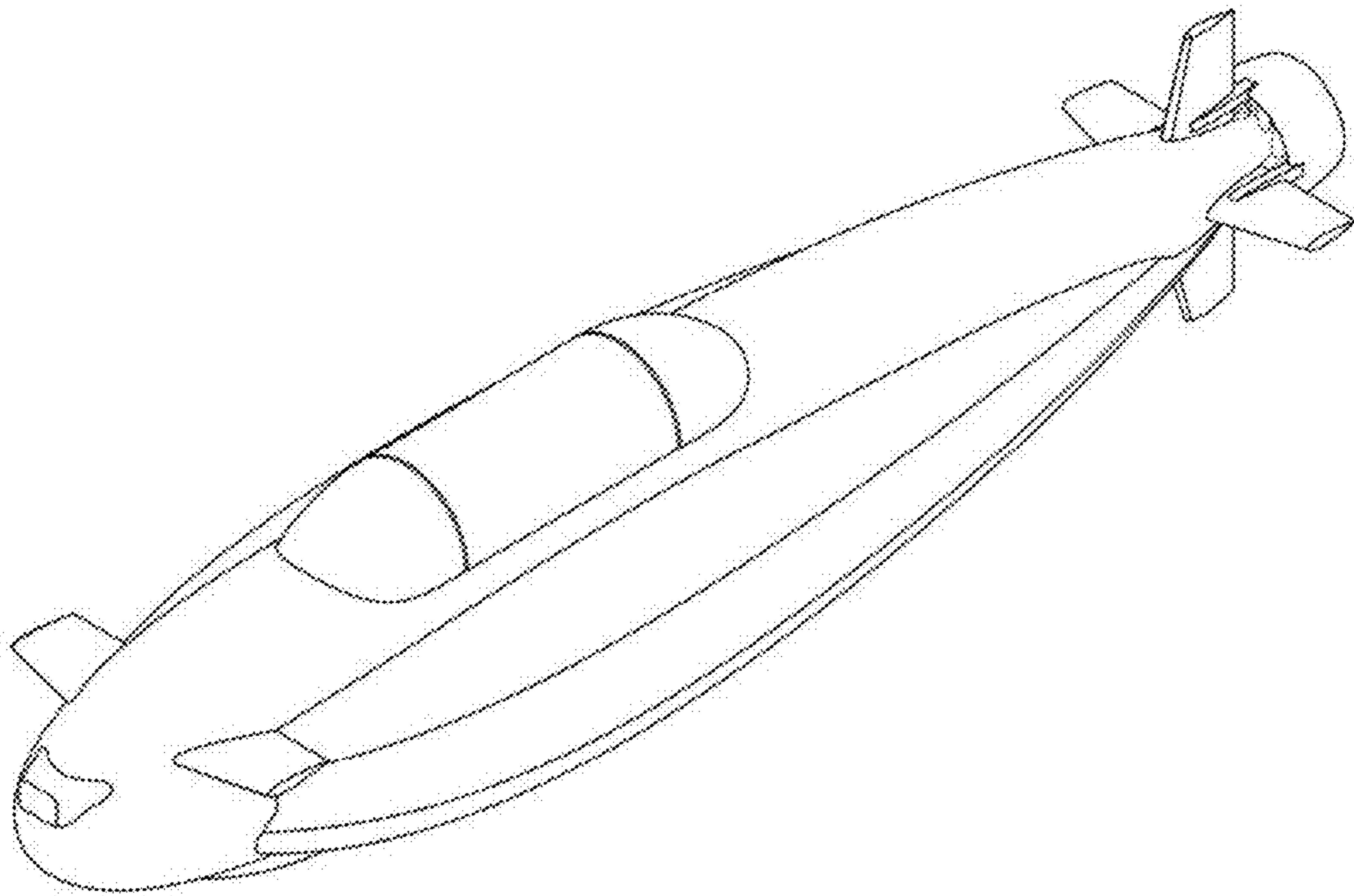
I claim the ornamental design for a submarine, as shown and described.

**DESCRIPTION**

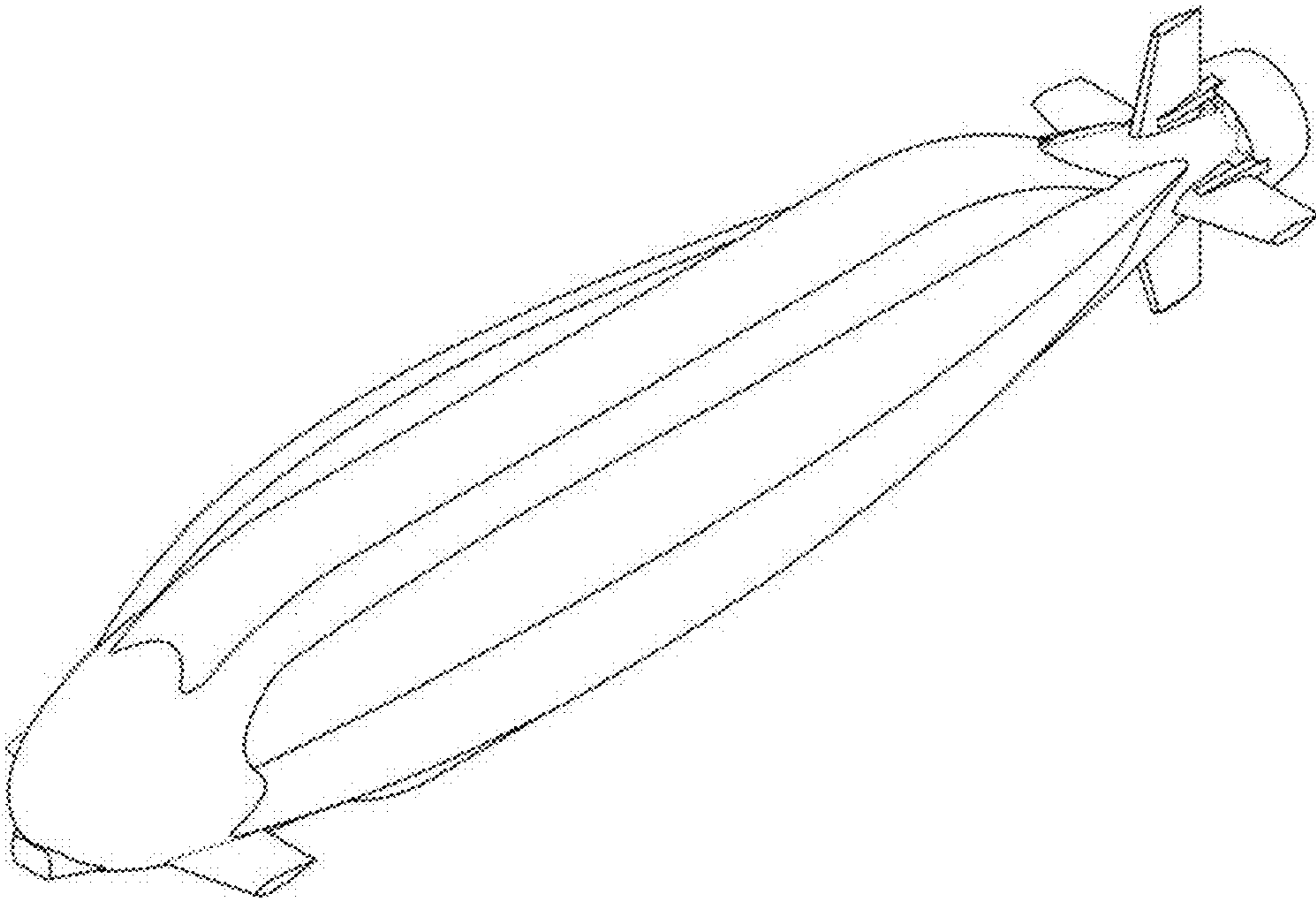
FIG. 1 is a perspective view of a submarine;  
FIG. 2 is a second perspective view of the submarine shown in FIG. 1;  
FIG. 3 is a bottom view of the submarine shown in FIG. 1;  
FIG. 4 is a top view of the submarine shown in FIG. 1;  
FIG. 5 is a left side view of the submarine shown in FIG. 1;  
FIG. 6 is a right side view of the submarine shown in FIG. 1;  
FIG. 7 is a front view of the submarine shown in FIG. 1; and,  
FIG. 8 is a rear view of the submarine shown in FIG. 1. The broken lines of FIG. 8 are included for the purpose of illustrating a portion of the rear view that forms no part of the claimed design.

**1 Claim, 6 Drawing Sheets**

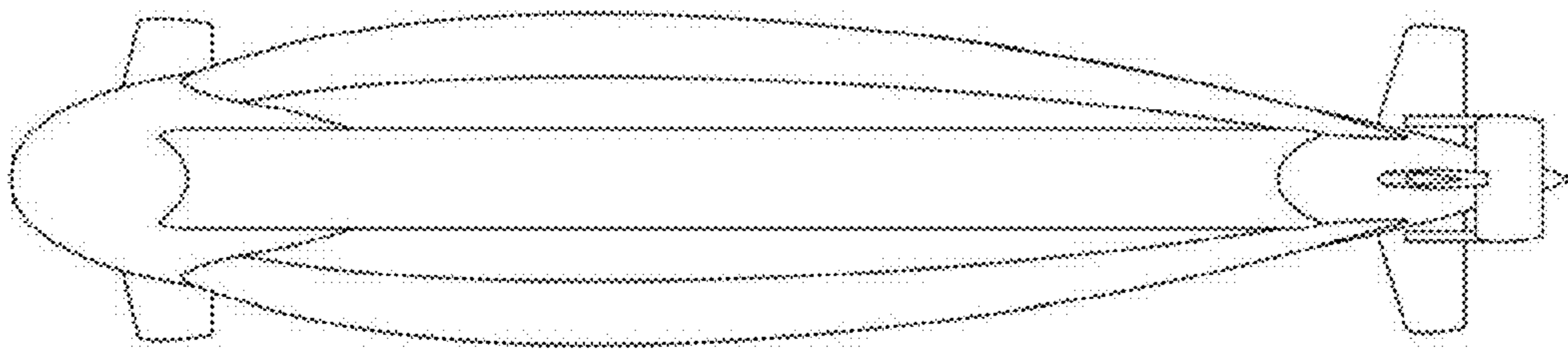




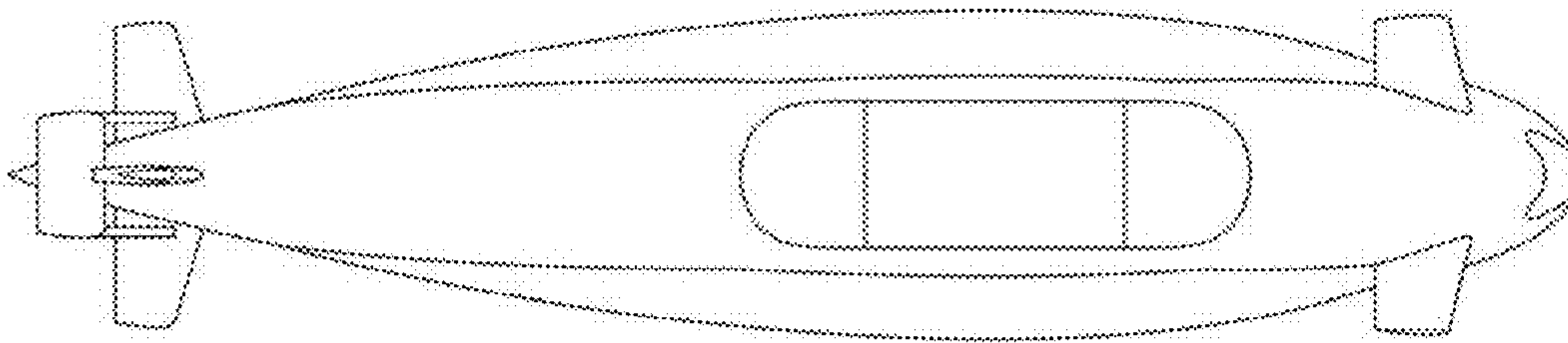
**Fig. 1**



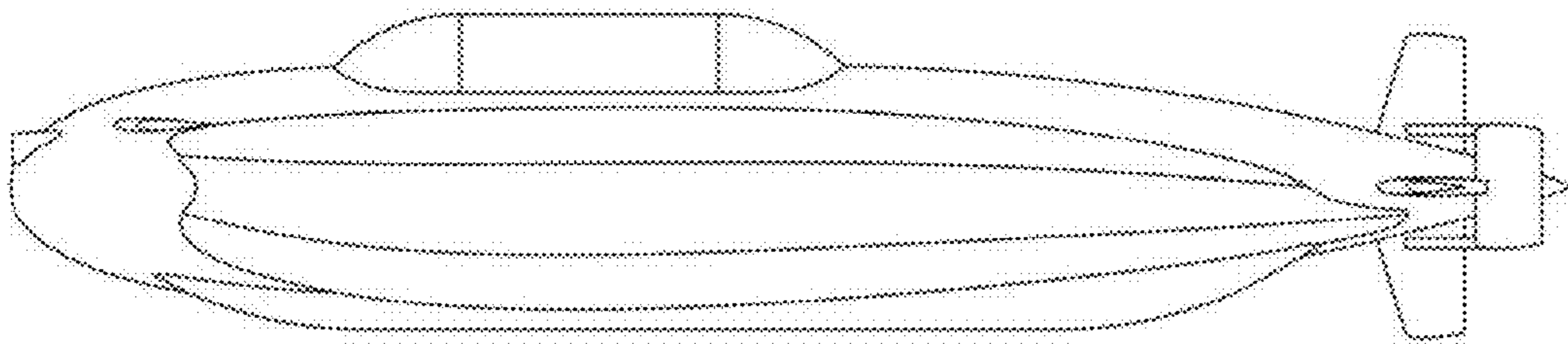
**Fig. 2**



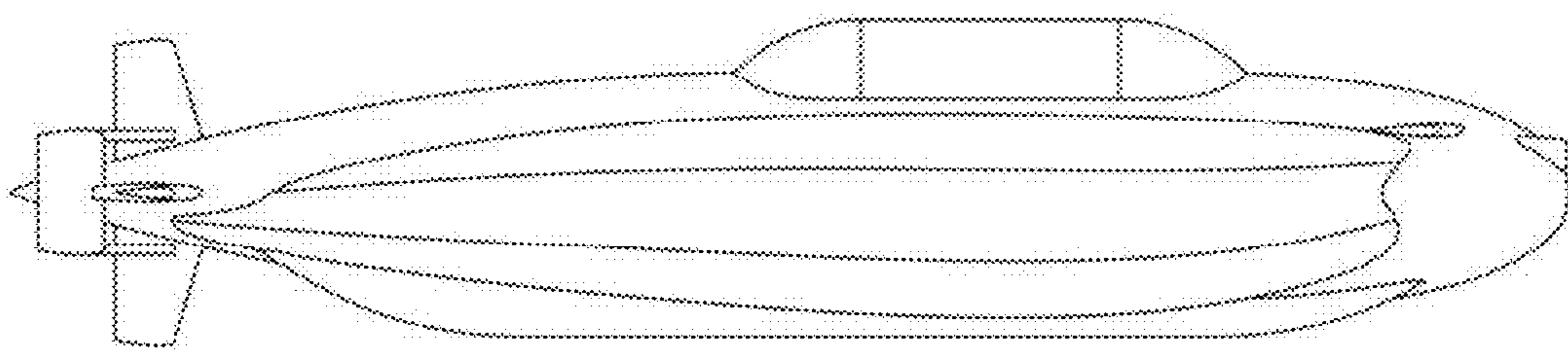
**Fig. 3**



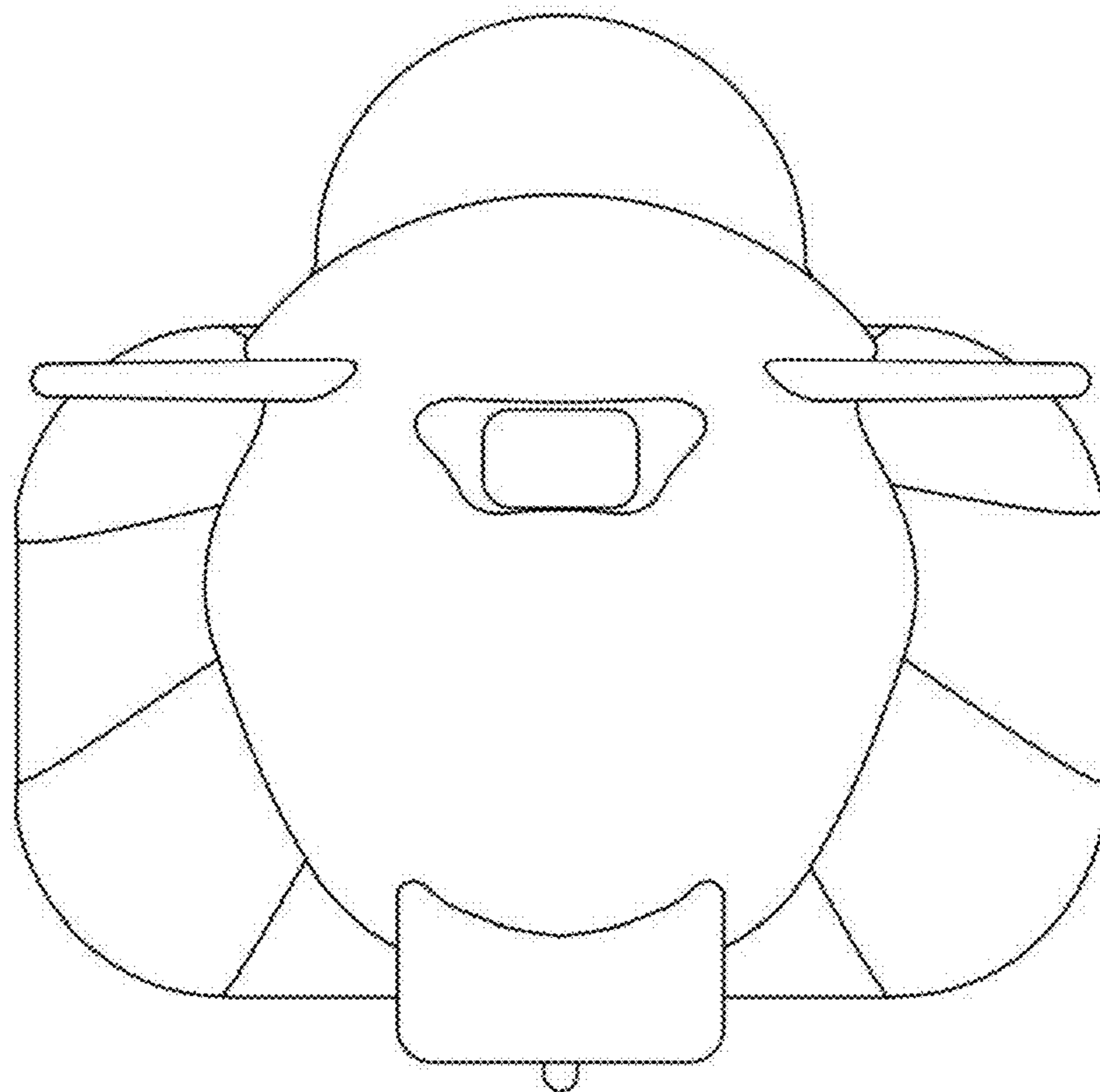
**Fig. 4**



**Fig. 5**



**Fig. 6**



**Fig. 7**

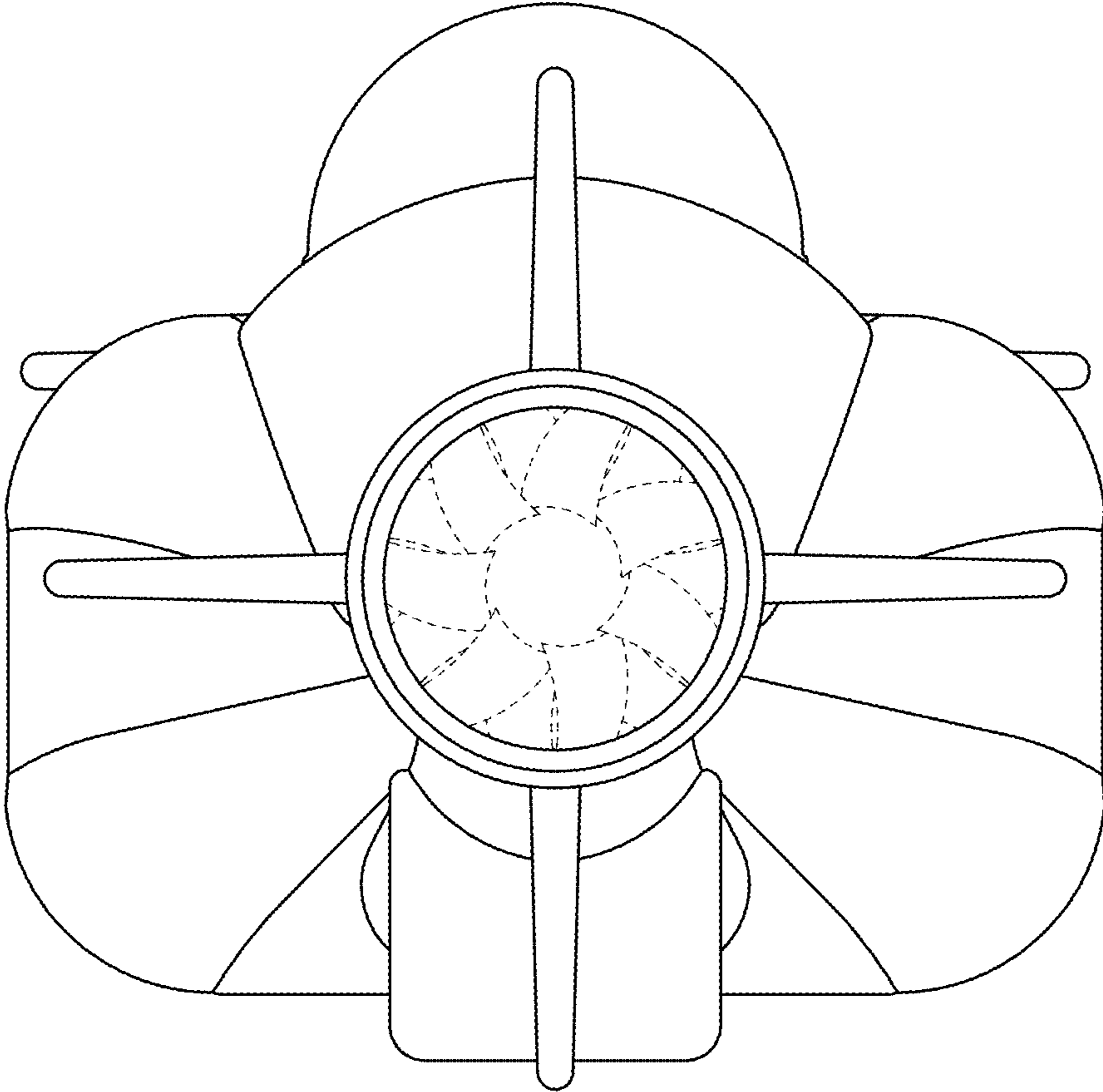


Fig. 8