



US00D733628S

(12) **United States Design Patent**  
**Goeppel**

(10) **Patent No.:** **US D733,628 S**

(45) **Date of Patent:** **\*\* Jul. 7, 2015**

- (54) **FRONT FENDER FOR A VEHICLE**
- (71) Applicant: **Bayerische Motoren Werke Aktiengesellschaft, Munich (DE)**
- (72) Inventor: **Stefan Goeppel, Munich (DE)**
- (73) Assignee: **Bayerische Motoren Werke Aktiengesellschaft, Munich (DE)**
- (\*\*) Term: **14 Years**
- (21) Appl. No.: **29/489,242**
- (22) Filed: **Apr. 29, 2014**

D654,413 S *	2/2012	Okumoto	.....	D12/184
D659,616 S *	5/2012	Matsumoto et al.	.....	D12/184
D669,829 S *	10/2012	Iwao et al.	.....	D12/184
D682,171 S *	5/2013	Fuchigami et al.	.....	D12/184
D683,289 S *	5/2013	Yoshida et al.	.....	D12/184
D683,679 S *	6/2013	Platto et al.	.....	D12/184
D685,305 S *	7/2013	Tase et al.	.....	D12/184
D698,293 S *	1/2014	Tada et al.	.....	D12/184
D698,713 S *	2/2014	Endo	.....	D12/184
D707,600 S *	6/2014	Johnson	.....	D12/184
D711,797 S *	8/2014	Tsuchida et al.	.....	D12/184
D712,811 S *	9/2014	Selvaag	.....	D12/184
D716,708 S *	11/2014	Beermann	.....	D12/184
D718,687 S *	12/2014	Ishizuka et al.	.....	D12/184
D719,074 S *	12/2014	Koizumi et al.	.....	D12/184
D721,314 S *	1/2015	Platto et al.	.....	D12/184

\* cited by examiner

- (30) **Foreign Application Priority Data**
- Oct. 31, 2013 (DE) ..... 40 2013 101 079
- (51) **LOC (10) Cl.** ..... **12-16**
- (52) **U.S. Cl.**
- USPC ..... **D12/184**
- (58) **Field of Classification Search**
- USPC ..... D12/196, 184, 181, 90-92, 88, 86;  
296/181.1, 181.5; 280/152.1, 847-849,  
280/851
- CPC ..... B62D 25/182; B62D 25/16; B62D 25/18;  
B62D 25/08; B62D 21/152
- See application file for complete search history.

*Primary Examiner* — Cathron Brooks  
*Assistant Examiner* — Clese Moore, Jr.  
 (74) *Attorney, Agent, or Firm* — Crowell & Moring LLP

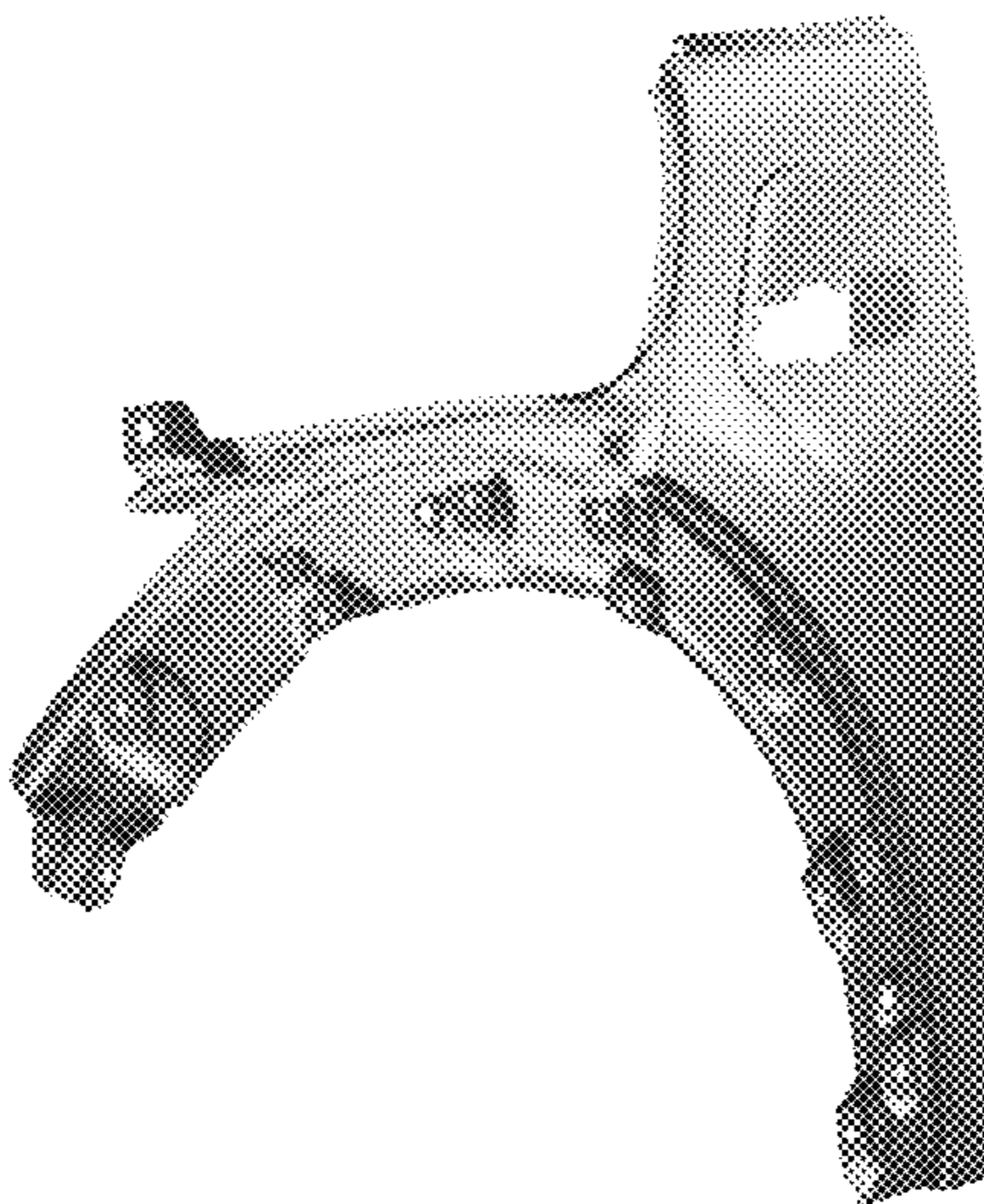
- (56) **References Cited**
- U.S. PATENT DOCUMENTS
- D502,131 S \* 2/2005 Otto et al. .... D12/184
- D509,778 S \* 9/2005 Minami ..... D12/184
- D536,648 S \* 2/2007 Fujimaki ..... D12/184
- D542,200 S \* 5/2007 Levy ..... D12/184
- D581,332 S \* 11/2008 Song et al. .... D12/184
- D591,213 S \* 4/2009 Woolley et al. .... D12/184
- D597,459 S \* 8/2009 Wagner et al. .... D12/184
- D620,407 S \* 7/2010 Froehlich ..... D12/184
- D626,045 S \* 10/2010 Cogswell ..... D12/181

(57) **CLAIM**  
 The ornamental design for a front fender for a vehicle, as shown and described.

**DESCRIPTION**

This application contains subject matter related to the following U.S. design patent application:  
 Application Ser. No. 29/489,250, filed herewith and entitled "Vehicle, Toy, and/or Replicas Thereof".  
 FIG. 1 is a front view of a front fender for a vehicle according to the design;  
 FIG. 2 is a left perspective view thereof;  
 FIG. 3 is a right perspective view thereof;  
 FIG. 4 is a left side view thereof;  
 FIG. 5 is a right side view thereof;  
 FIG. 6 is a top view thereof;  
 FIG. 7 is a bottom view thereof; and,  
 FIG. 8 is a rear view thereof.

**1 Claim, 8 Drawing Sheets**



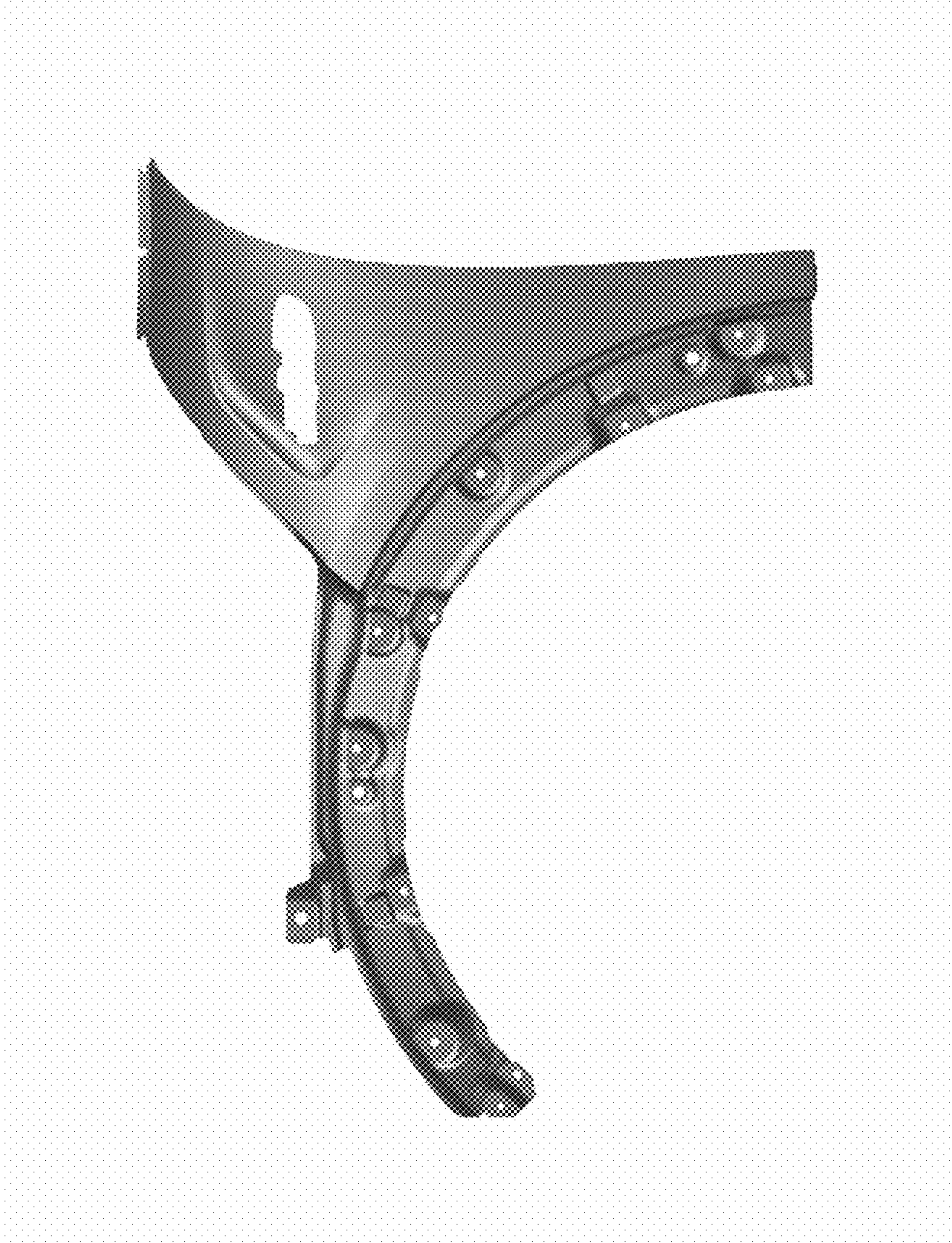


Fig. 1



Fig. 2

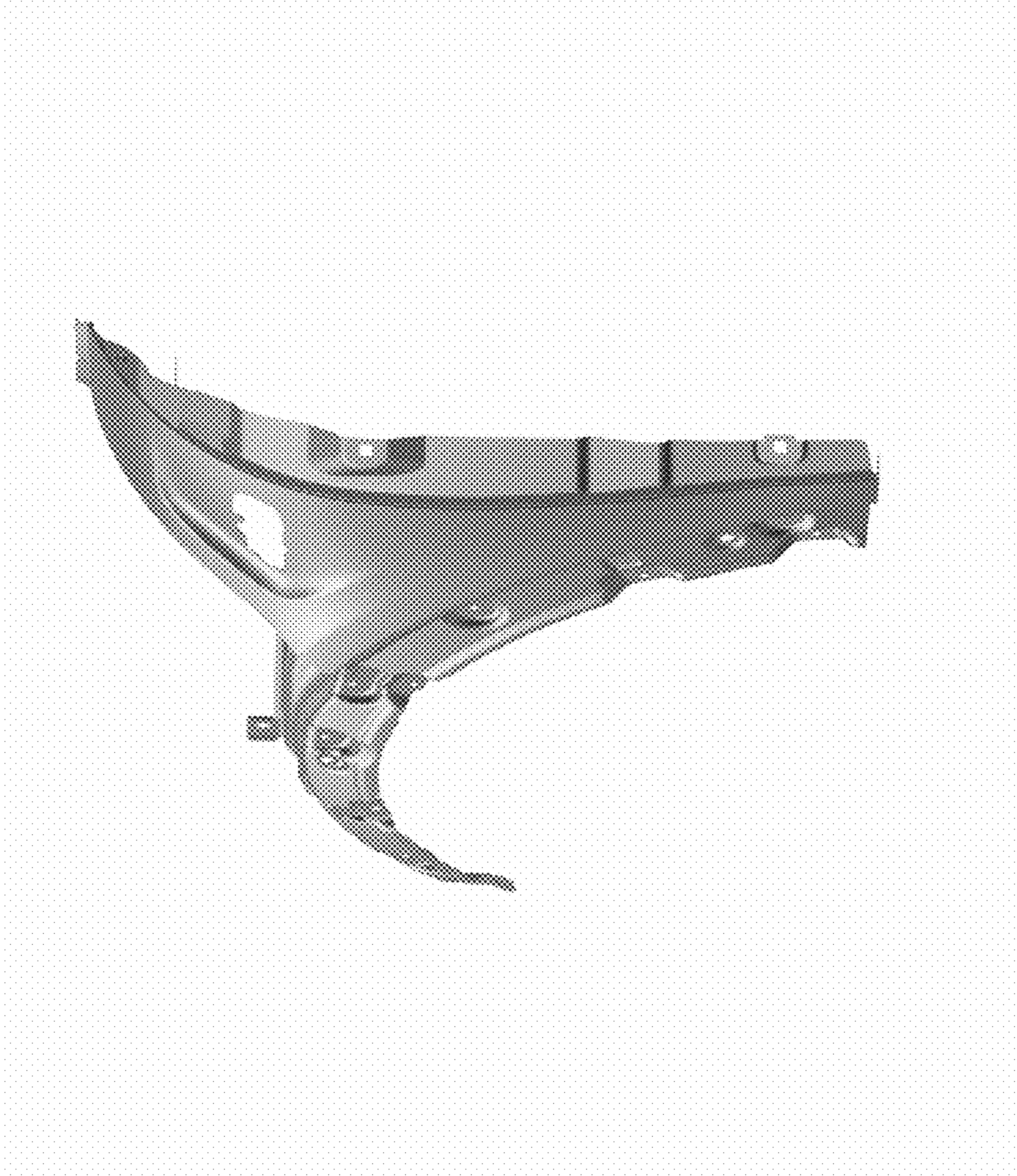


Fig. 3



Fig. 4



Fig. 5

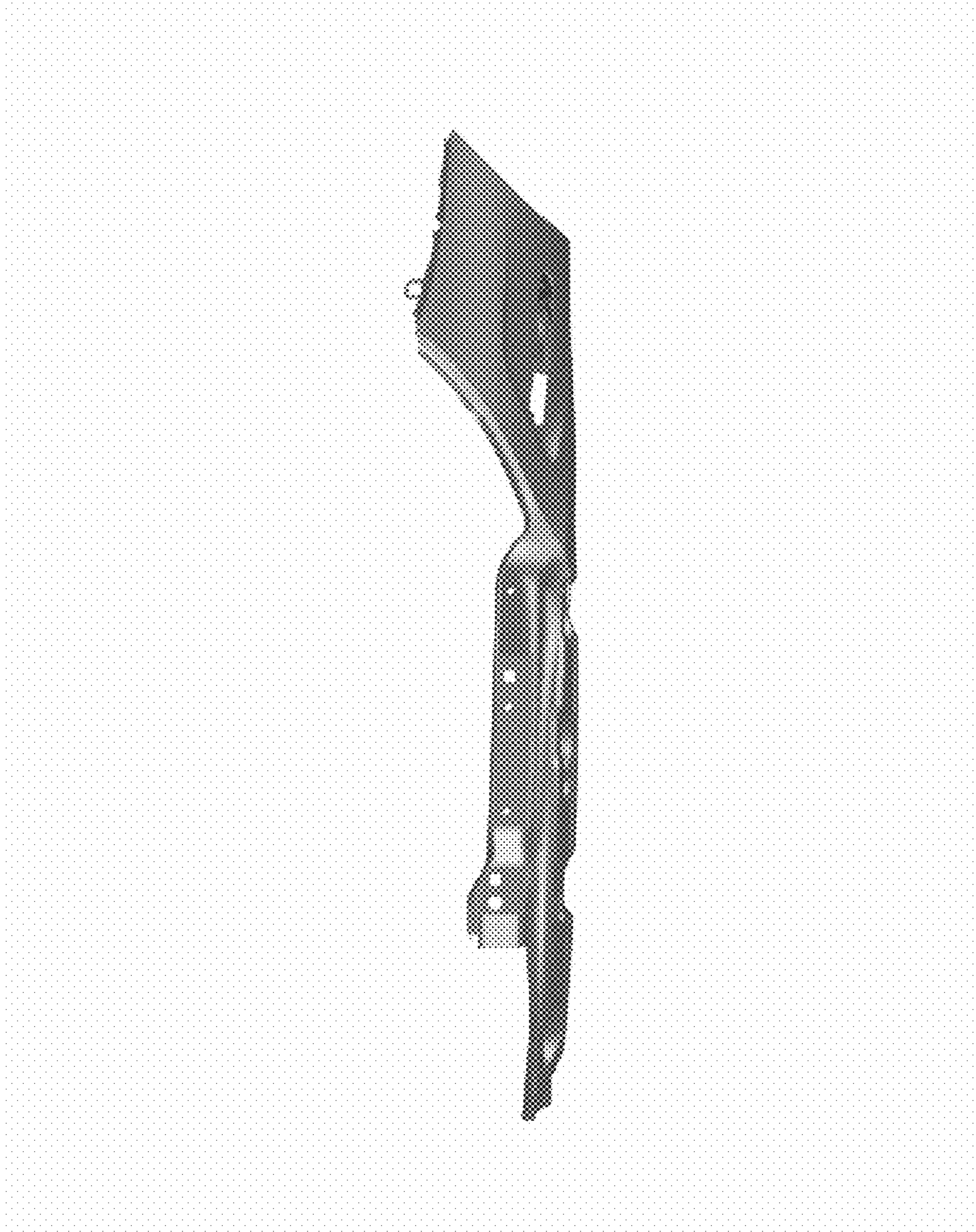


Fig. 6



Fig. 7



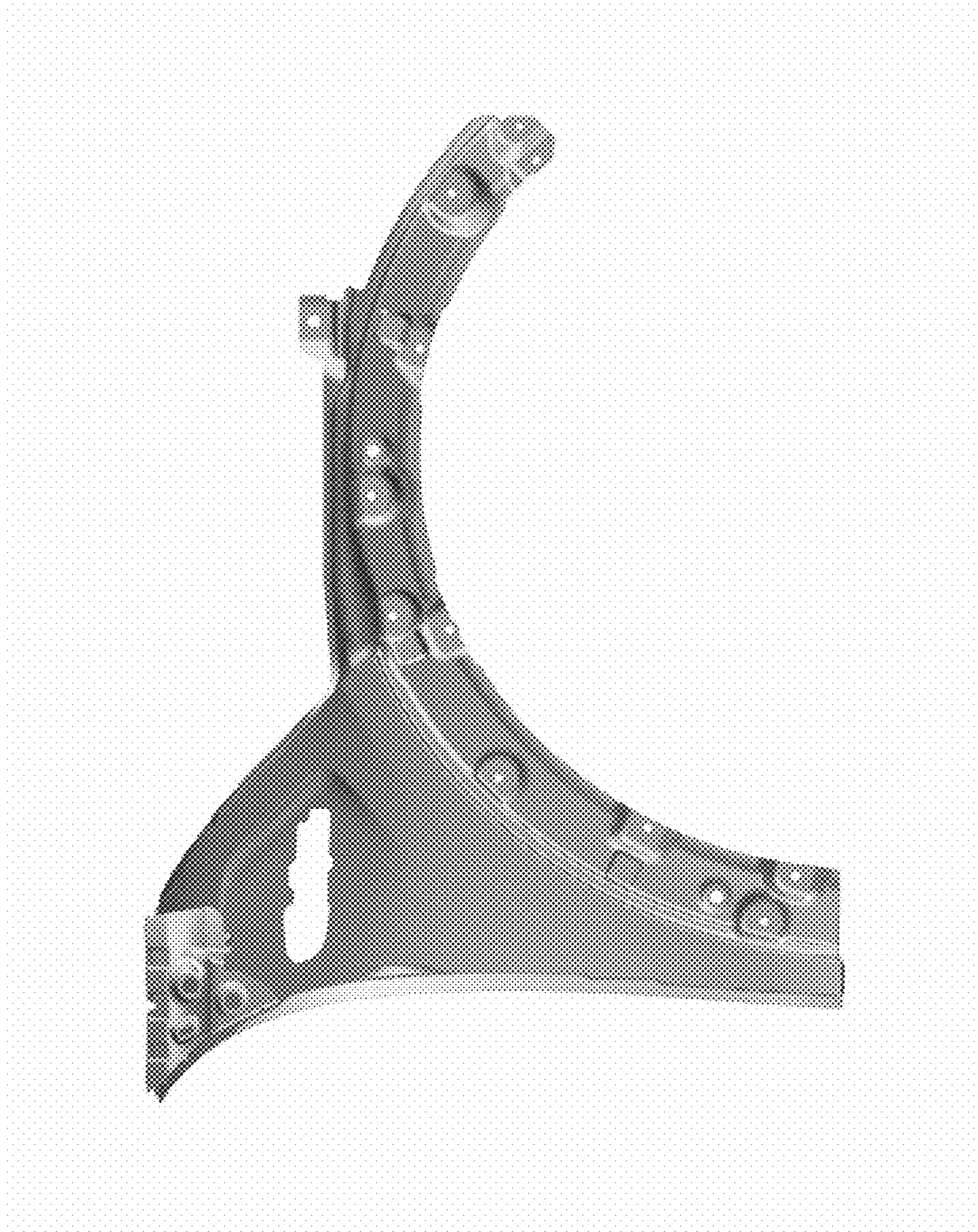


Fig. 8