



US00D733626S

(12) **United States Design Patent**
Glover et al.

(10) **Patent No.:** **US D733,626 S**

(45) **Date of Patent:** **** Jul. 7, 2015**

(54) **VEHICLE HOOD**

(71) Applicants: **Jeremy Glover**, Clawson, MI (US);
Brian Nielander, Royal Oak, MI (US);
Mark T Allen, Oxford, MI (US)

(72) Inventors: **Jeremy Glover**, Clawson, MI (US);
Brian Nielander, Royal Oak, MI (US);
Mark T Allen, Oxford, MI (US)

(73) Assignee: **FCA US LLC**, Auburn Hills, MI (US)

(**) Term: **14 Years**

(21) Appl. No.: **29/507,337**

(22) Filed: **Oct. 27, 2014**

Related U.S. Application Data

(63) Continuation-in-part of application No. 29/482,347,
filed on Feb. 18, 2014, now Pat. No. Des. 728,425.

(51) **LOC (10) Cl.** **12-16**

(52) **U.S. Cl.**
USPC **D12/173**

(58) **Field of Classification Search**
USPC D12/173, 196, 86, 90-92, 181;
180/69.21, 69.2, 69.22
CPC B62D 25/10; B60Q 1/00
See application file for complete search history.

(56) **References Cited**

U.S. PATENT DOCUMENTS

D512,666 S *	12/2005	Chiang	D12/173
D572,640 S *	7/2008	Zimmermann et al.	D12/173
D579,832 S *	11/2008	Opfer et al.	D12/173
D592,574 S *	5/2009	Larson	D12/173
D609,615 S *	2/2010	Krugger et al.	D12/173
D712,323 S *	9/2014	Mays et al.	D12/173

* cited by examiner

Primary Examiner — Melody Brown

(74) *Attorney, Agent, or Firm* — Ralph E Smith

(57) **CLAIM**

The ornamental design for a vehicle hood, as shown and described.

DESCRIPTION

FIG. 1 is a front perspective view of a vehicle hood showing our new design;

FIG. 2 is a top plan view thereof;

FIG. 3 is a bottom plan view thereof;

FIG. 4 is a front view thereof;

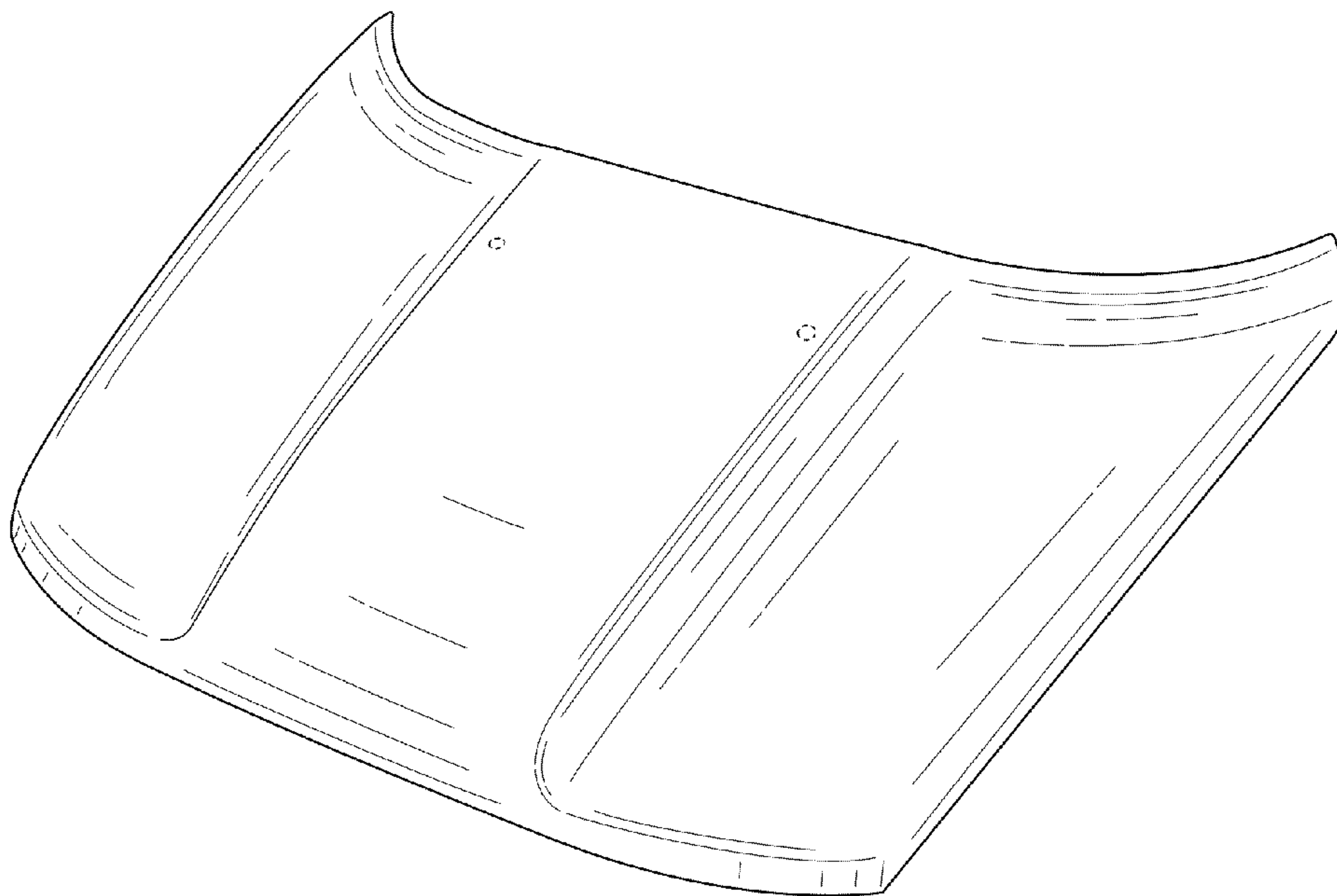
FIG. 5 is a rear elevational view thereof;

FIG. 6 is a right side view thereof; and,

FIG. 7 is a left side view thereof.

It will be understood that the broken lines shown in the drawings illustrate portions of the vehicle hood that form no part of claimed design.

1 Claim, 4 Drawing Sheets



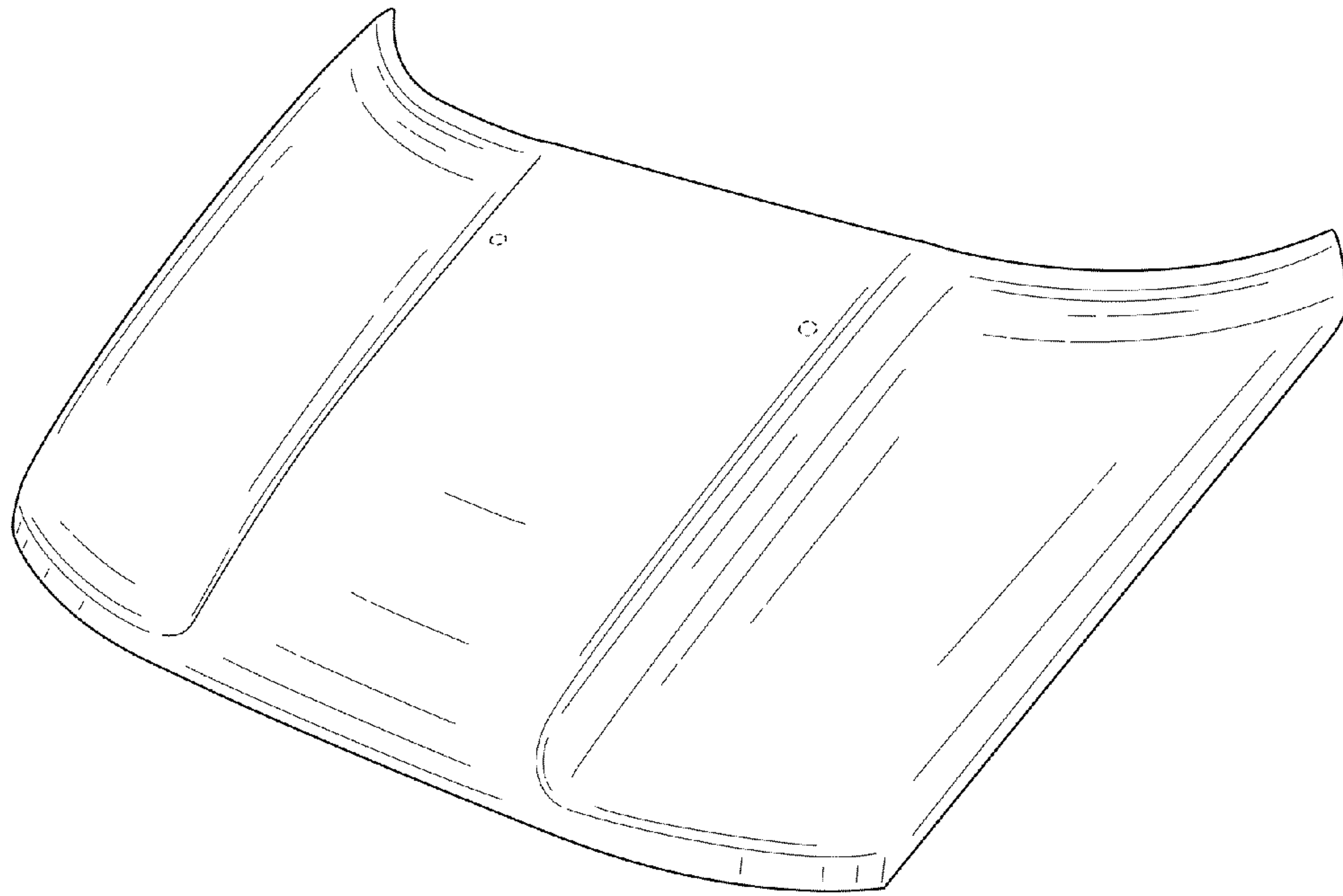


FIG. 1

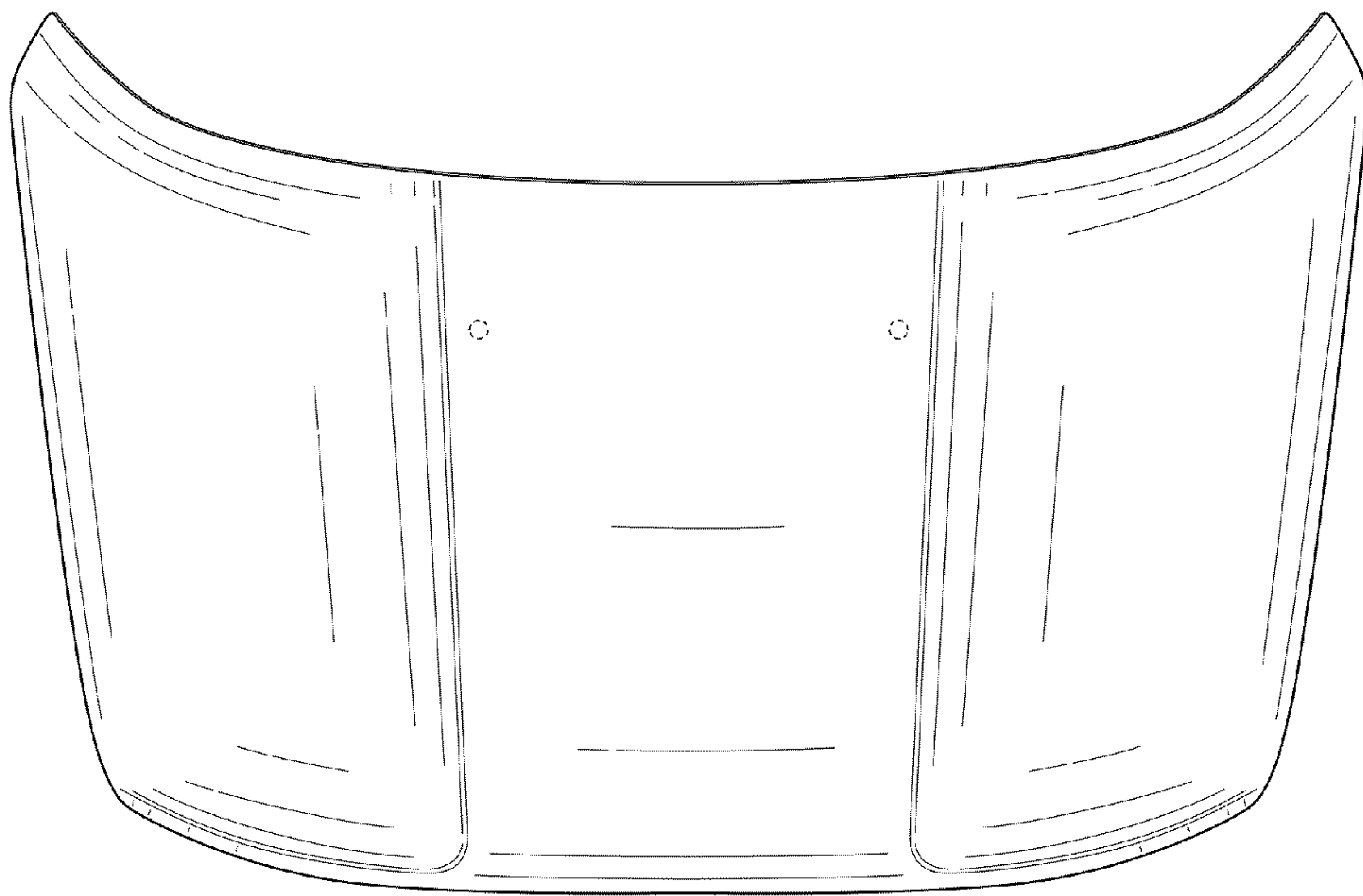


FIG. 2

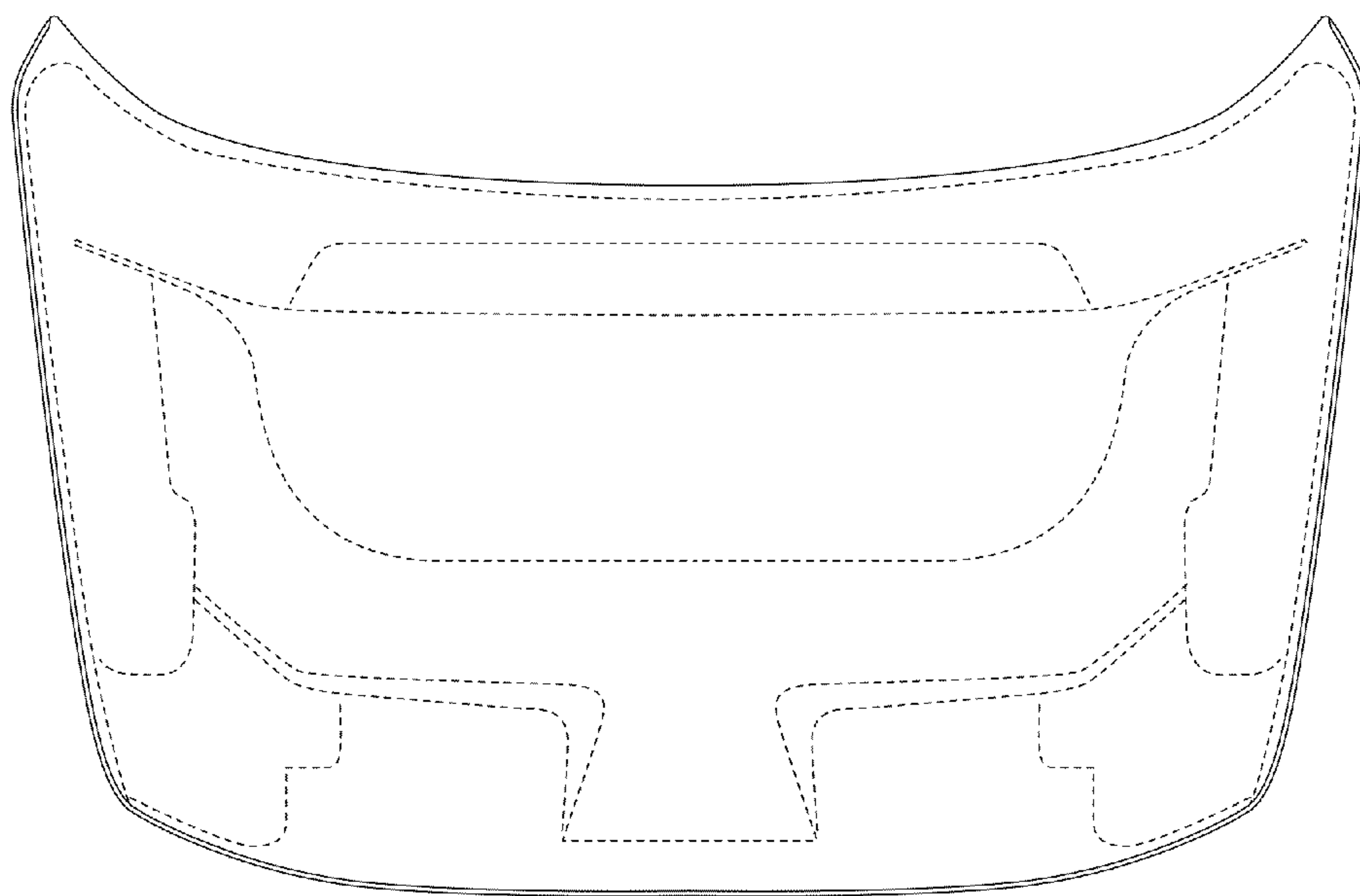


FIG. 3

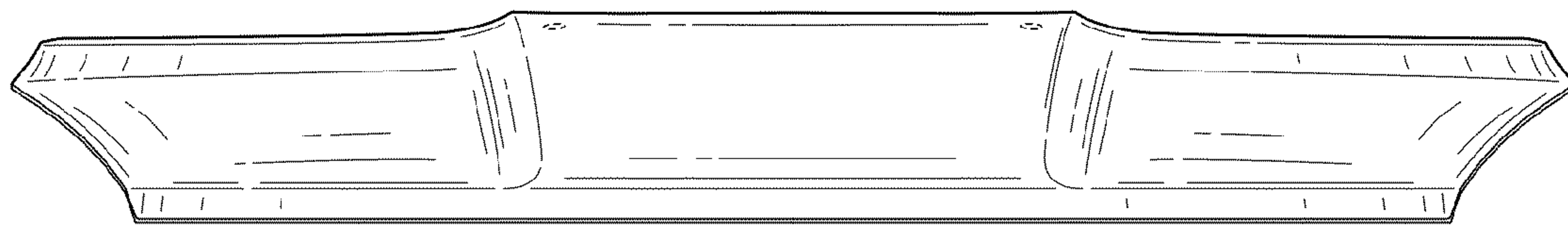


FIG. 4

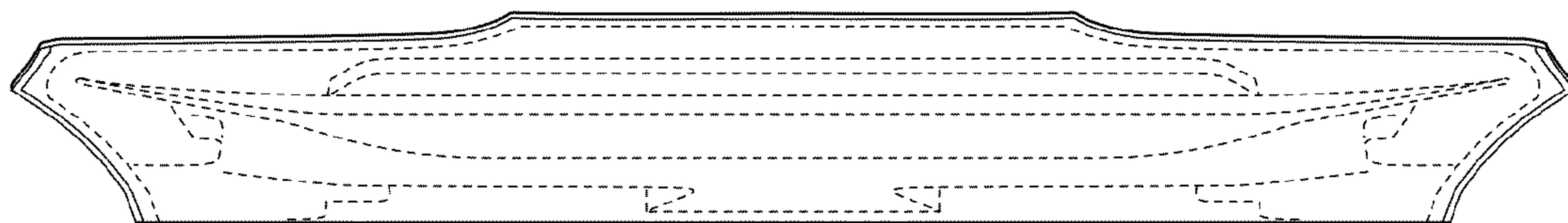


FIG. 5

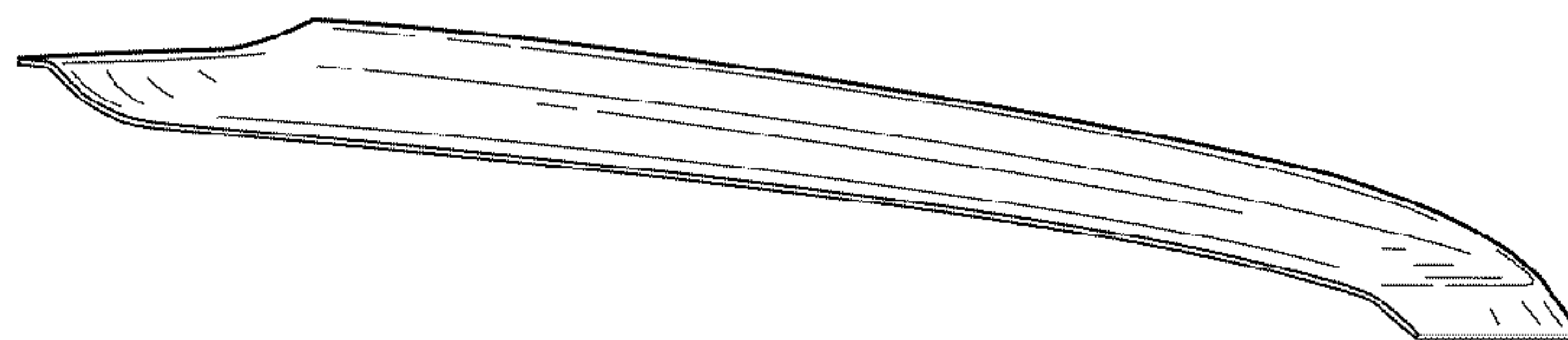


FIG. 6

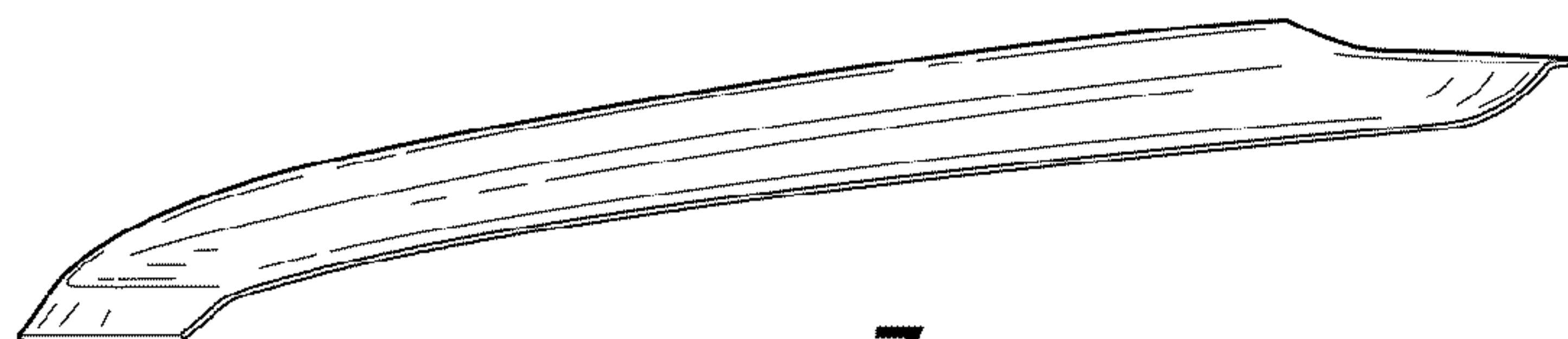


FIG. 7