



US00D733624S

(12) **United States Design Patent**
Morikawa

(10) **Patent No.:** **US D733,624 S**

(45) **Date of Patent:** **** Jul. 7, 2015**

(54) **FRONT BUMPER FOR AN AUTOMOBILE**

(71) Applicant: **Honda Motor Co., Ltd.**, Tokyo (JP)

(72) Inventor: **Tetsuji Morikawa**, Wako (JP)

(73) Assignee: **Honda Motor Co., Ltd.**, Tokyo (JP)

(**) Term: **14 Years**

(21) Appl. No.: **29/497,327**

(22) Filed: **Jul. 23, 2014**

(30) **Foreign Application Priority Data**

Jan. 23, 2014 (JP) 2014-001193

(51) **LOC (10) Cl.** **12-16**

(52) **U.S. Cl.**
USPC **D12/169**

(58) **Field of Classification Search**
USPC D12/169, 216, 90-92, 86, 171, 196,
D12/163; 293/102, 113, 115, 117, 120;
296/180.1, 180.2

CPC B60R 19/02; B60R 19/04; B62D 25/08
See application file for complete search history.

(56) **References Cited**

U.S. PATENT DOCUMENTS

D641,296 S *	7/2011	Schell et al.	D12/169
D670,621 S *	11/2012	Frenzel et al.	D12/164
D682,166 S *	5/2013	Minami	D12/169
D700,114 S *	2/2014	Wada	D12/169
D701,152 S *	3/2014	Saracoglu	D12/169
D703,117 S *	4/2014	Osborne et al.	D12/169
D712,801 S *	9/2014	Kobayashi	D12/169
D719,072 S *	12/2014	Robinson	D12/169
D721,021 S *	1/2015	Hanaoka	D12/169

* cited by examiner

Primary Examiner — Melody N Brown

(74) *Attorney, Agent, or Firm* — Plumsea Law Group, LLC

(57) **CLAIM**

The ornamental design for a front bumper for an automobile, as shown and described.

DESCRIPTION

FIG. 1 is a perspective view of a front bumper for an automobile showing my new design;

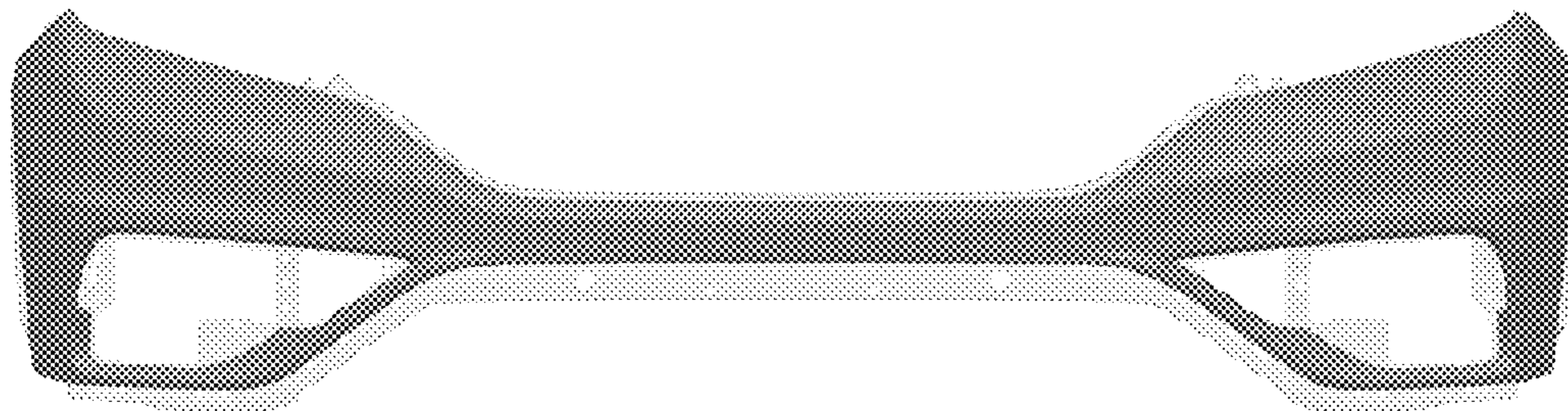
FIG. 2 is a front elevation view thereof;

FIG. 3 is a top plan view thereof; and,

FIG. 4 is a right side elevation view thereof.

The de-emphasized and halftone portions shown in the drawings illustrate environmental structure for a front bumper of an automobile that form no part of the claimed design.

1 Claim, 4 Drawing Sheets



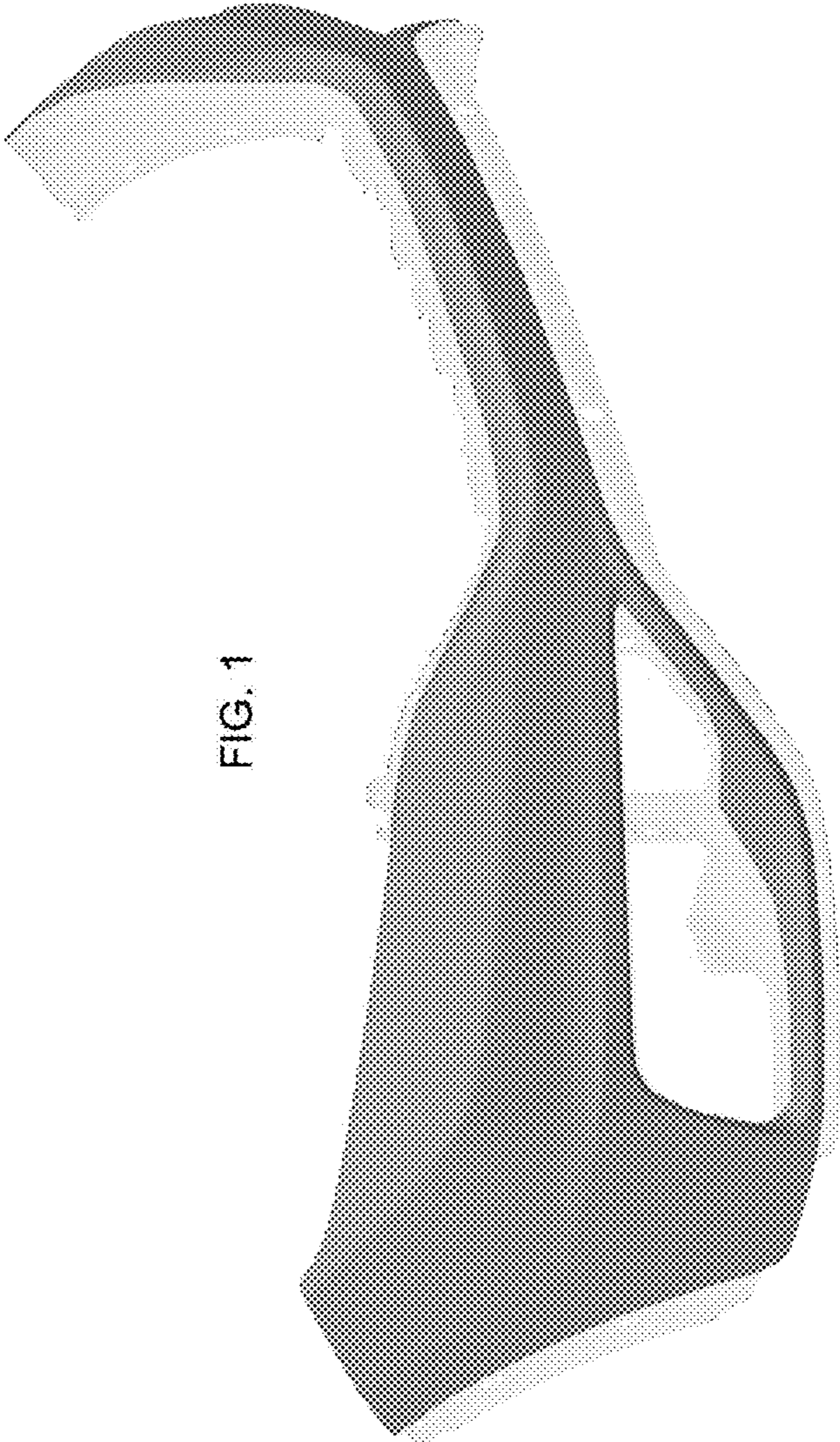
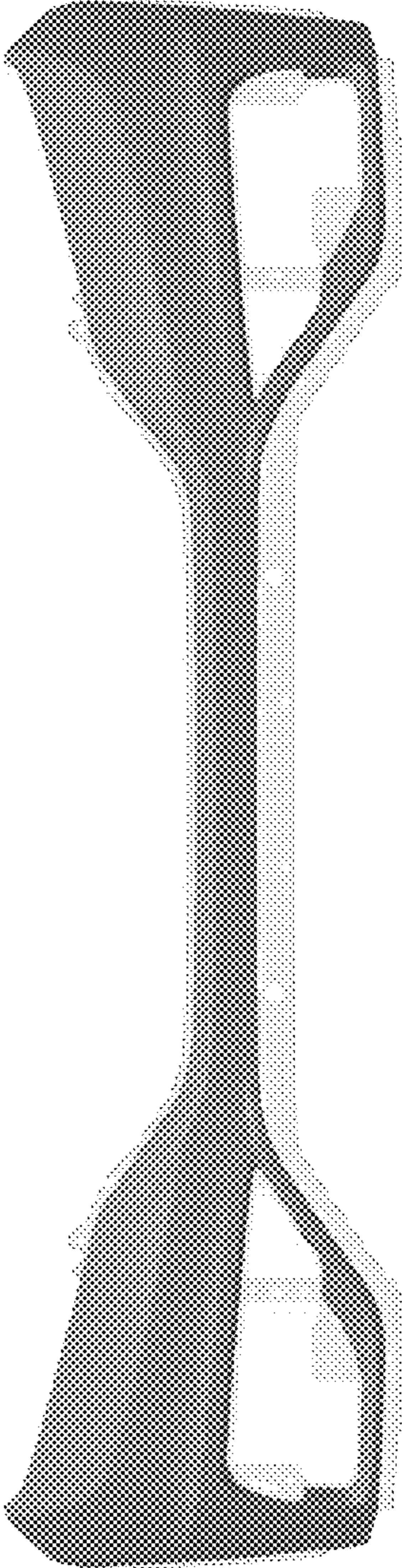


FIG. 1

FIG. 2



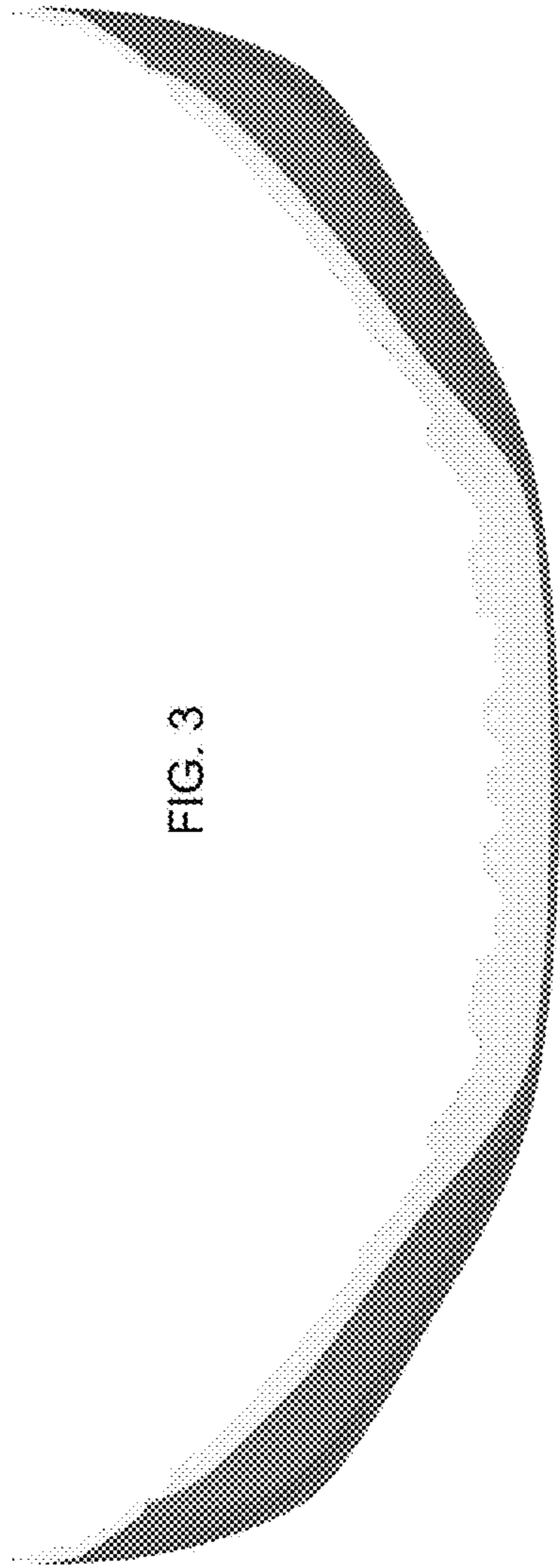


FIG. 3

